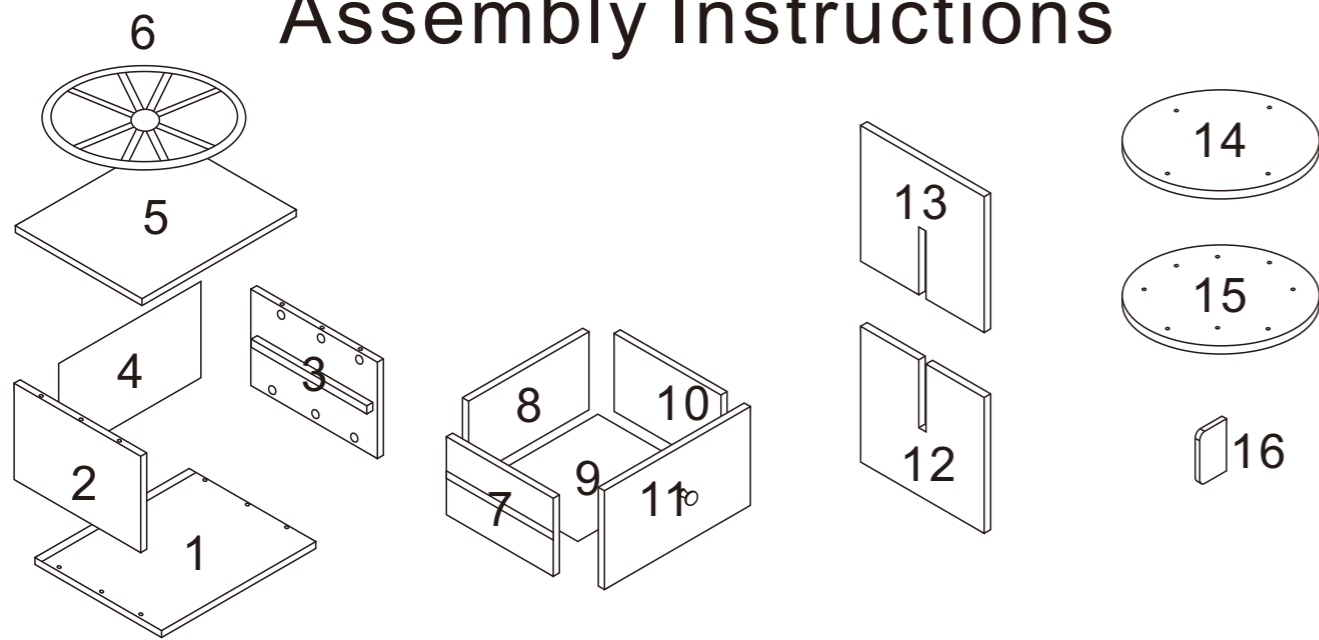


# Assembly Instructions



A	B	C	D	E
x16	x16	x20	x4	
F	G	H	J	
x1	x1	x1	x1	

