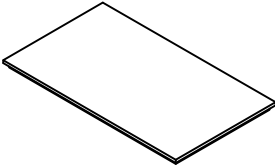
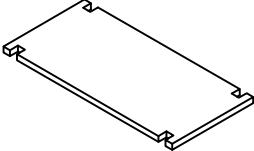
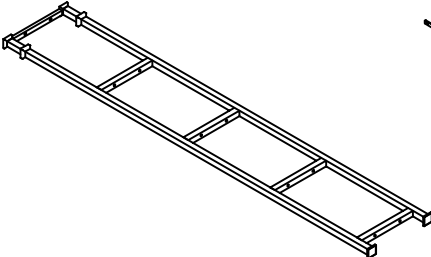
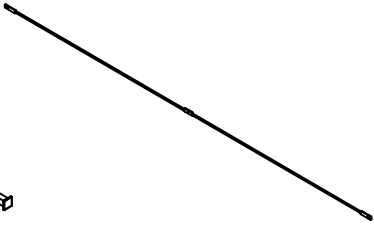
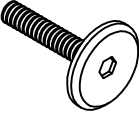
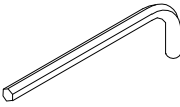



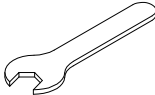

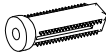


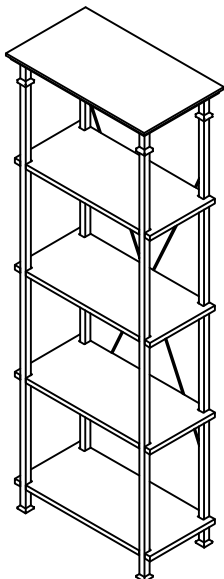


ASSEMBLY INSTRUCTION

FINISH BOOKCASE

A Top panel	B Lower panel	C Side frame	D Tension bar
			
1PC	4PCS	2PCS	2PCS
E Screw 1/4"X1"XØ16	F Allen wrench	G Wood screw	H Machine screw 3/16"X 1/2"
			
4PCS	1PC	16PCS	5PCS
I Nut	J Spanner wrench	K Wood screw 4 X 25 X 6mm	L Wall anchor
			
1PC	1PC	2PCS	1PCS
M Mounting tab	N Plastic mounting strap		
			
4PCS	2PCS		

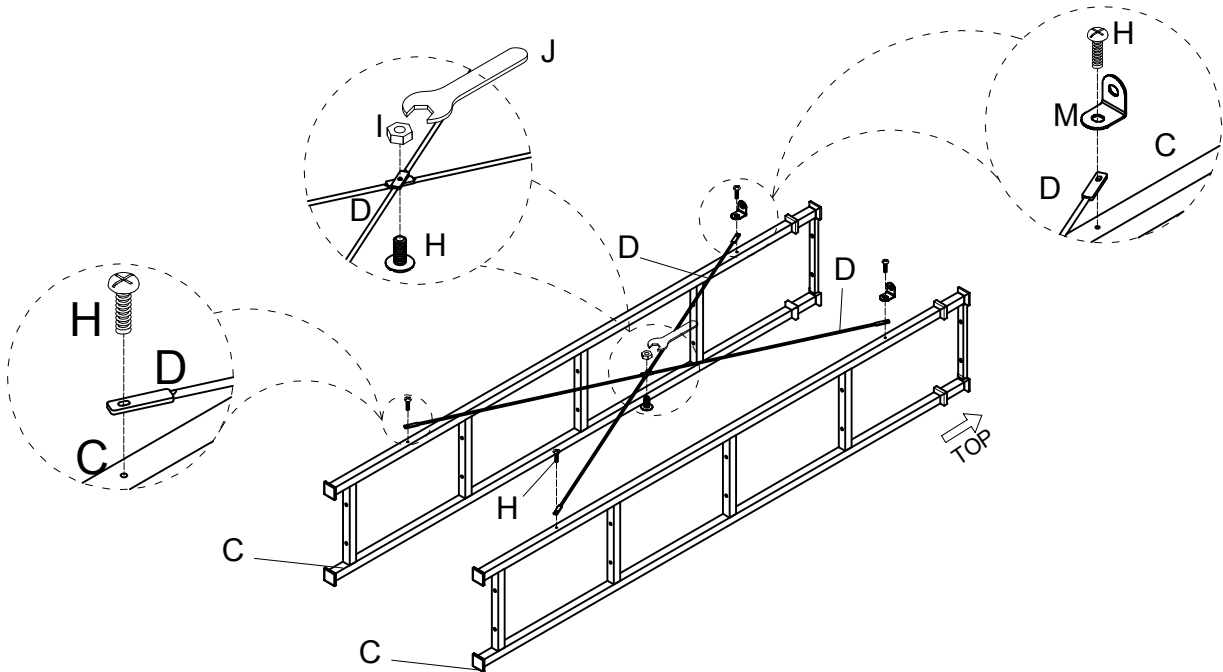


This page lists all the contents included in the box. Please take the time to identify the hardware as well as the individual components to this product. As you unpack and prepare for assembly, place the contents on a carpeted or padded area to protect them from damage.

***Do not tighten screws & bolts until the entire unit is completely assembled.

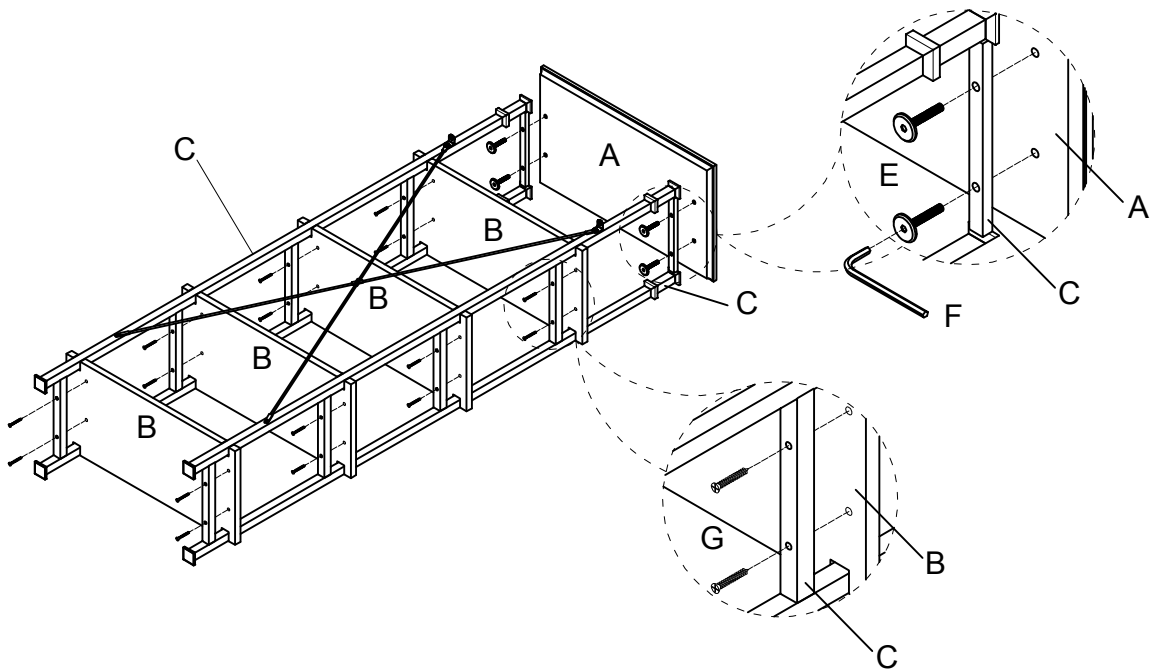
1

Attach Tension bar (D) to Side frame (C) using Machine screw (H) and a Phillips Head Screwdriver as shown. Secure the TOP by aligning Mount tabs (M) attaching Machine screw (H) using screwdriver. Then, secure the MIDDLE using Machine screw (H) and Nut (I). While holding Nut (I) with supplied Spanner wrench (J), but not tighten it.



2

Attach Side frame (C) to Top panel (A) using Screw (E) and Allen wrench (F) as shown. Attach side frame (C) to Lower panel (B) using Wood screw (G) and a Philips head Screwdriver as shown. Tight all Screws and Carefully turn the assembled unit upright.



3

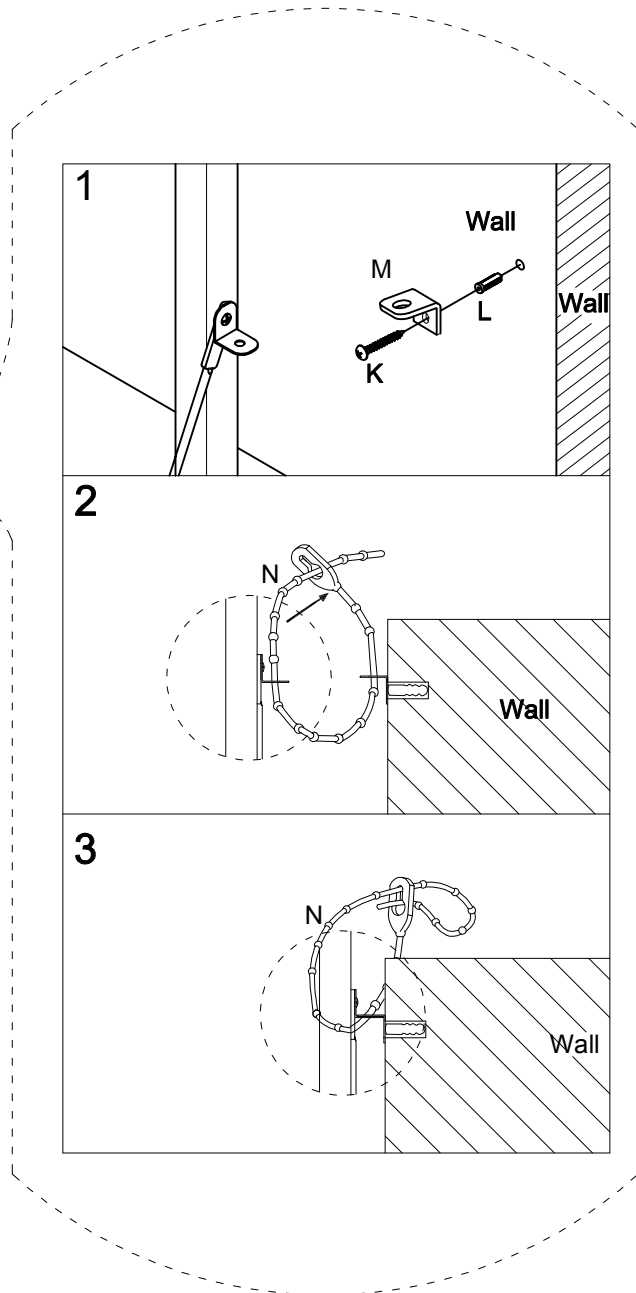
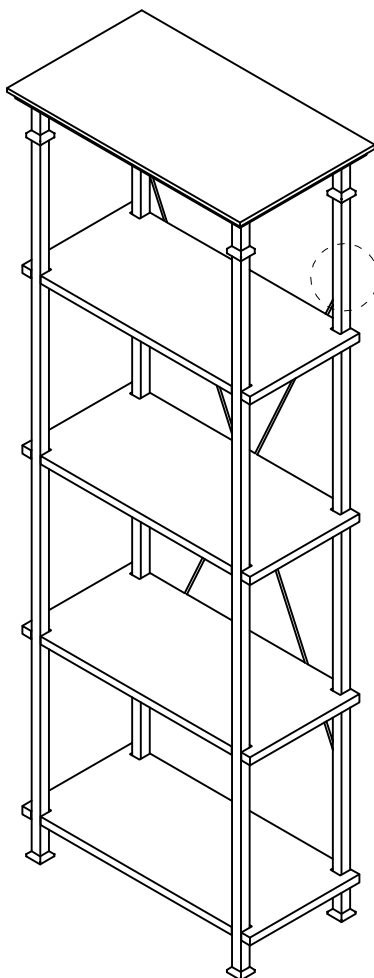
*NOTE: WE RECOMMEND THAT YOU ATTACH THE PRODUCT TO YOUR WALL AS A SAFETY PRECAUTION.

Drill 2 (Two) holes in your wall approximately 2" (Two inches) BELOW the corresponding positions of Mounting Tabs (M) and insert Plastic Sockets (L) as shown.

*NOTE: You may need to tap LIGHTLY with a rubber mallet.

Attach Mounting Tabs (M) to Plastic mounting straps (N) with Wood Screws (K), making sure the Tabs extend UPWARD.

Now connect the corresponding Mounting Tabs (M) with Plastic mounting straps (N) and tighten as desired before locking in place.



Cleaning & Care

Treat surface with care. Surface is resistant to scratches but is not scratch resistant. Clean surfaces with a dry or damp soft cloth. Do not use abrasive cleaners. Hardware may loosen over time. Periodically check that all connections are tight.