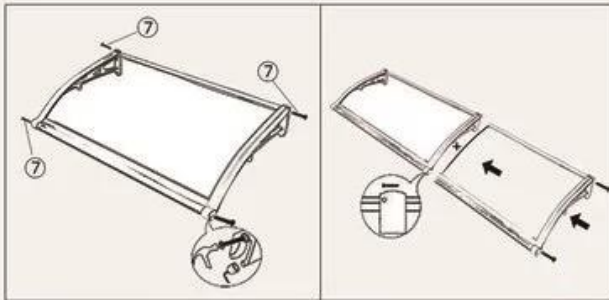


## Aluminum window Door Awning Canopy Installation Notes



**step 3**  
Tighten both sides with screws and secure the canopy bracket to prevent shaking and scattering

**step 4**  
Multiple sets of connections in the middle position, only one aluminum edge can be locked from the side, and the other side can be locked from the lower end of the bracket with screws, as shown in the above figure



**step 5**  
After the canopy is assembled, take the impact drill to drill the hole (where the canopy needs to be installed). After drilling the hole, align the support hole of the canopy with the drilled hole, then use a hammer to nail the Wall plug into the hole, and finally use a wrench to tighten the Wall plug to fix the canopy

**step 6**  
The installation is complete, as shown in the figure

Note: 1. After installation, apply external wall sealant (glass adhesive) to the contact surface between the canopy and the wall for sealing  
2. Do not unscrew the screw and nut when installing the Wall plug!  
3. It needs to be screwed to the end of the assembly pipe to prevent the screws from spinning!

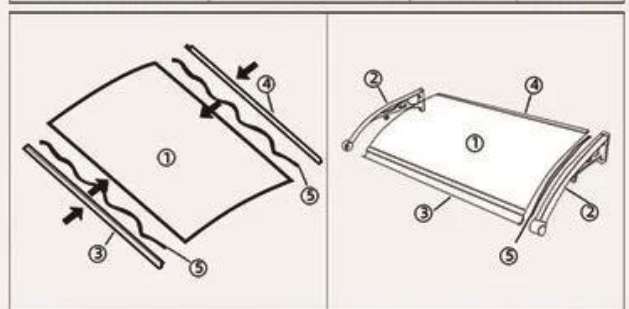


The materials are as follows  
(Tools need to be provided by oneself)

tool					
hammer	wrench	screwdriver	Percussion drill	percussion bit	pencil

Assembly		
① Resistant board	② support	Adhesive strip

③ Front pressure strip	④ Rear pressure strip	⑥ Bolts	⑦ Setscrews



**step 1**  
The side with letters on the shed board is the sunny side. Tear off the protective film around it. Paste waterproof tape around the shed board.

**step 2**  
After taking out the left and right sealing strips and brackets to cover the left and right plate edges, clamp the plate edges with brackets and place Self-tapping screw in the front and rear left and right brackets