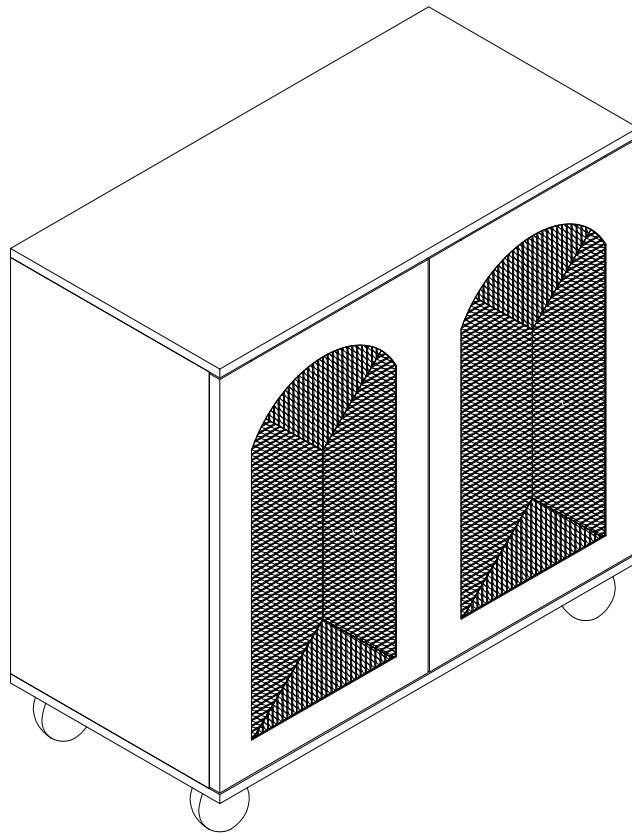


2-Door cabinet

SKU WHIF2699



ASSEMBLY INSTRUCTIONS



60 min. assembly
2 person

*The estimated assembly time may vary depending on the individual.

Hey, there

Now is assembly time!

Deeeeeeep breathe.... and again....
Tools ready,
Easy peasy!

Estimated



60 min. assembly
2 person

Tools Required

- Phillips screwdriver (not included)
- Power Drill (not included)

important: *Cautious when you use power tools*

Need Help?

Call us at +1 909 548 6688
Email customerservice@luxenhome.com
Submit a ticket on www.luxenhome.com/help

Thank you for purchasing this LuxenHome product. This product has been manufactured with the highest standards of safety and quality.

PLEASE READ ALL INSTRUCTIONS CAREFULLY BEFORE ASSEMBLY.

Un pack all parts from the packaging inside the carton to ensure there are no missing or damaged parts. Lay out all the parts on a clean, flat, and soft surface to prevent scratches. Refer to the steps provided as assembling guide.

Do not attempt to assemble or use the product if any parts are missing or damaged.

REMINDERS

SAFE USAGE IS KEY

Your well-being is our top priority when you use our product. Please prioritize your safety by diligently following the assembly guidelines and inspecting the product carefully both when it arrives and before each use.

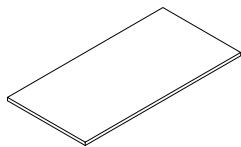
Please be aware that LuxenHome and Winsome House, Inc. cannot be held liable for any injuries or fatalities that occur due to not adhering to the provided instructions or misuse of the product.

DO NOT MODIFY

Our products undergo rigorous testing to ensure they meet established safety standards before being released for sale. Altering the product in any way can lead to serious safety concerns, for which LuxenHome cannot assume responsibility.

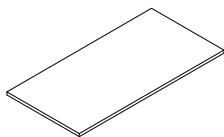
What's in the box

Parts



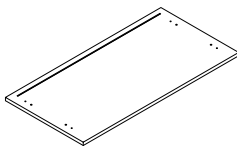
1 X 1

Top panel



2 X 1

Shelf panel



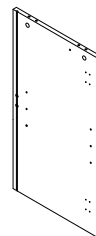
3 X 1

Bottom panel



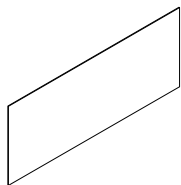
4 X 1

Left panel



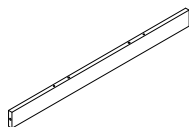
5 X 1

Right panel



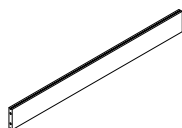
6 X 2

Back panel



7 X 1

Top support bar



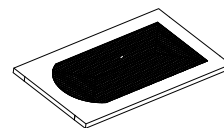
8 X 1

Back support bar



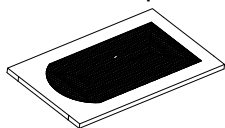
9 X 4

Ball leg



10 X 1

Left door



11 X 1

Right door

Hardware & Accessory



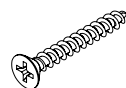
A X 10+2
M6 x 36mm



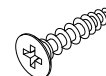
B X 10+2
M15 x 9mm



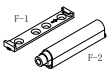
C X 10+2
M6 x 30mm



D X 6
M4 x 35mm



E X 6
M3 x 12mm



F X 2



G X 24+3
M4 x 14mm



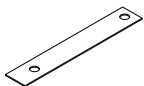
H X 4



I X 8
M3 x 16mm



J X 8



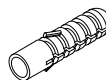
K X 2



L X 4



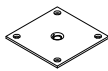
M X 18+2
M4 x 14mm



N X 2



O X 2
M4 x 50mm



P X 4



Q X 4



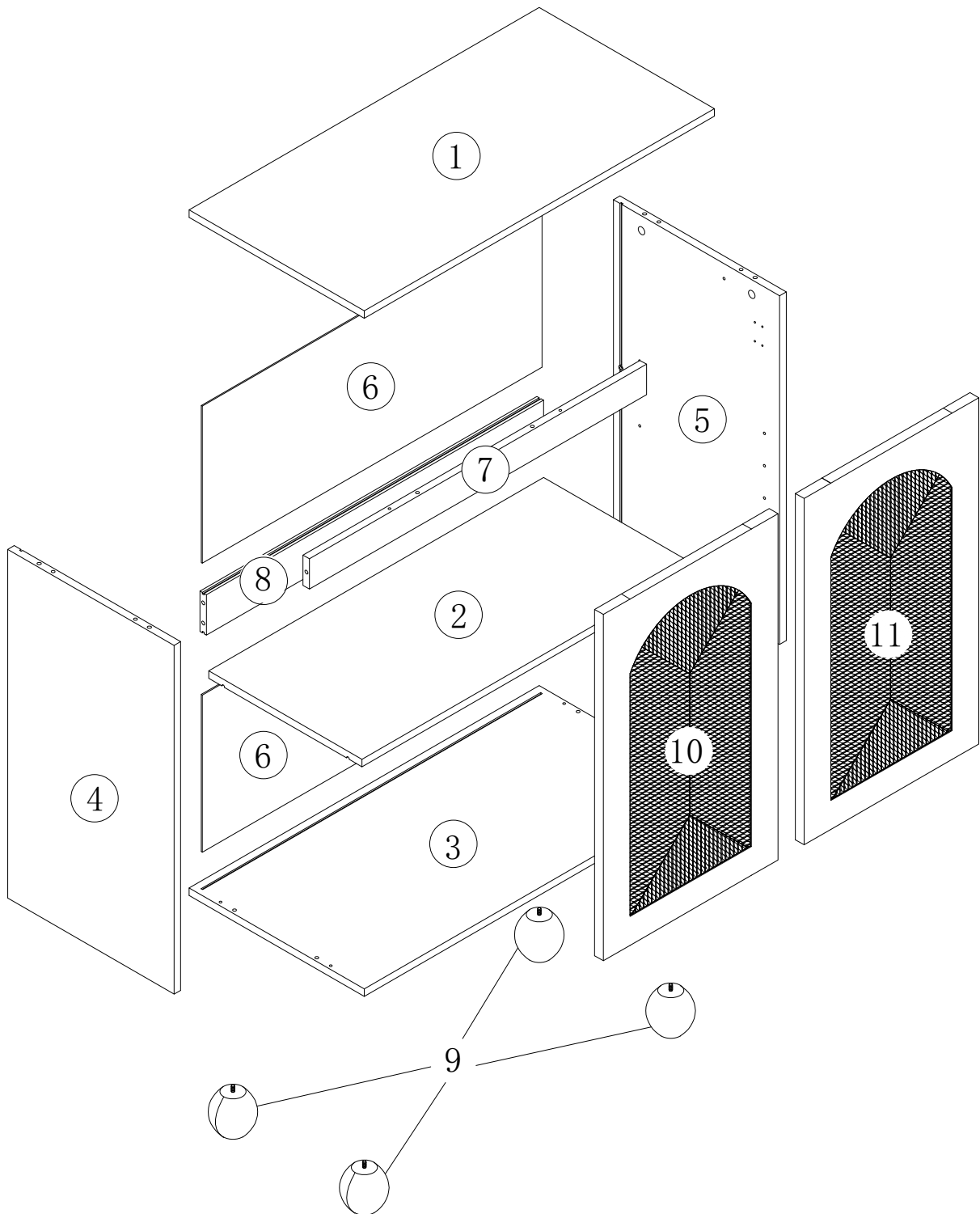
R X 2



S X 4

Please save this manual for future reference.

Assembly

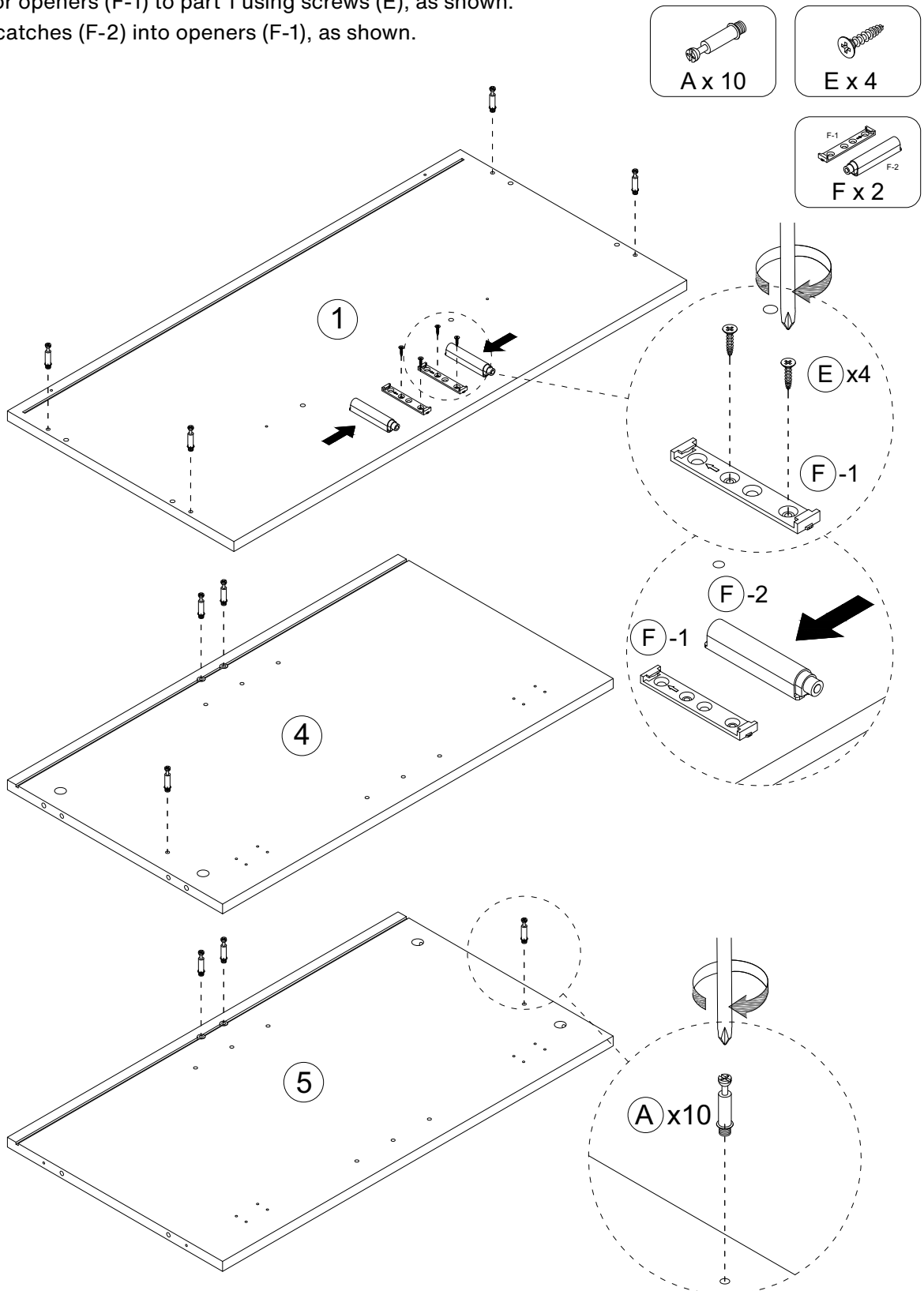


Step 1

Fix quickfit screws (A) into parts 1, 4 and 5, as shown.

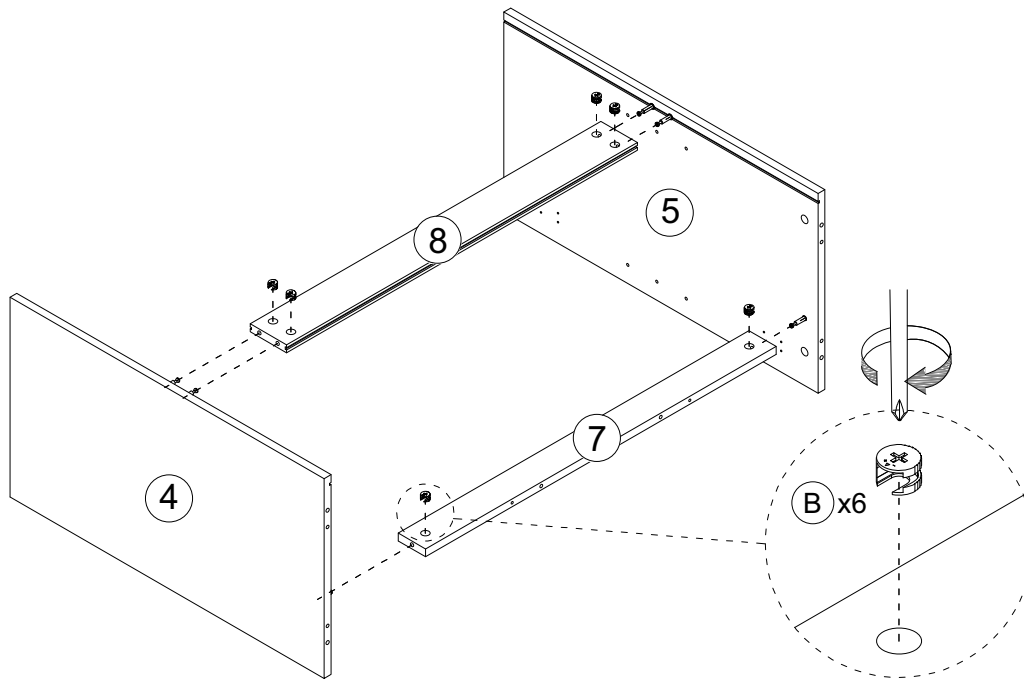
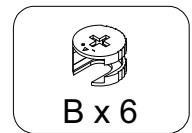
Fix door openers (F-1) to part 1 using screws (E), as shown.

Insert catches (F-2) into openers (F-1), as shown.



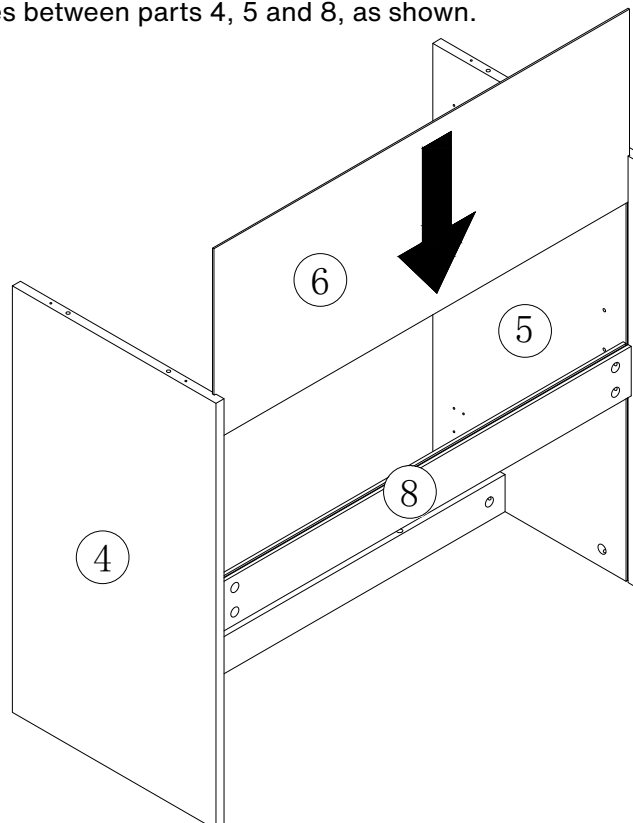
Step 2

Insert cam locks (B) into parts 7 and 8, as shown.
Fit parts 4 and 5 to parts 7 and 8, as shown.
Turn cam locks clockwise to tighten.



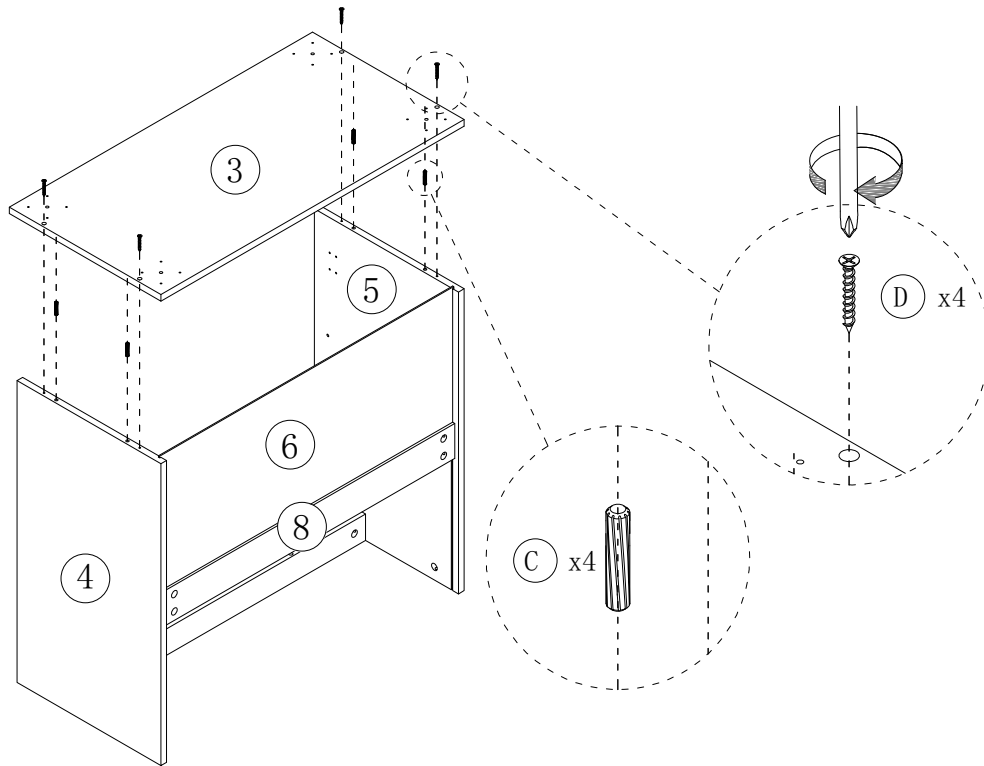
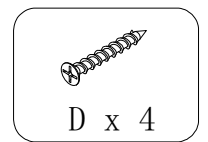
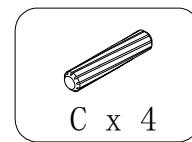
Step 3

Insert part 6 into grooves between parts 4, 5 and 8, as shown.



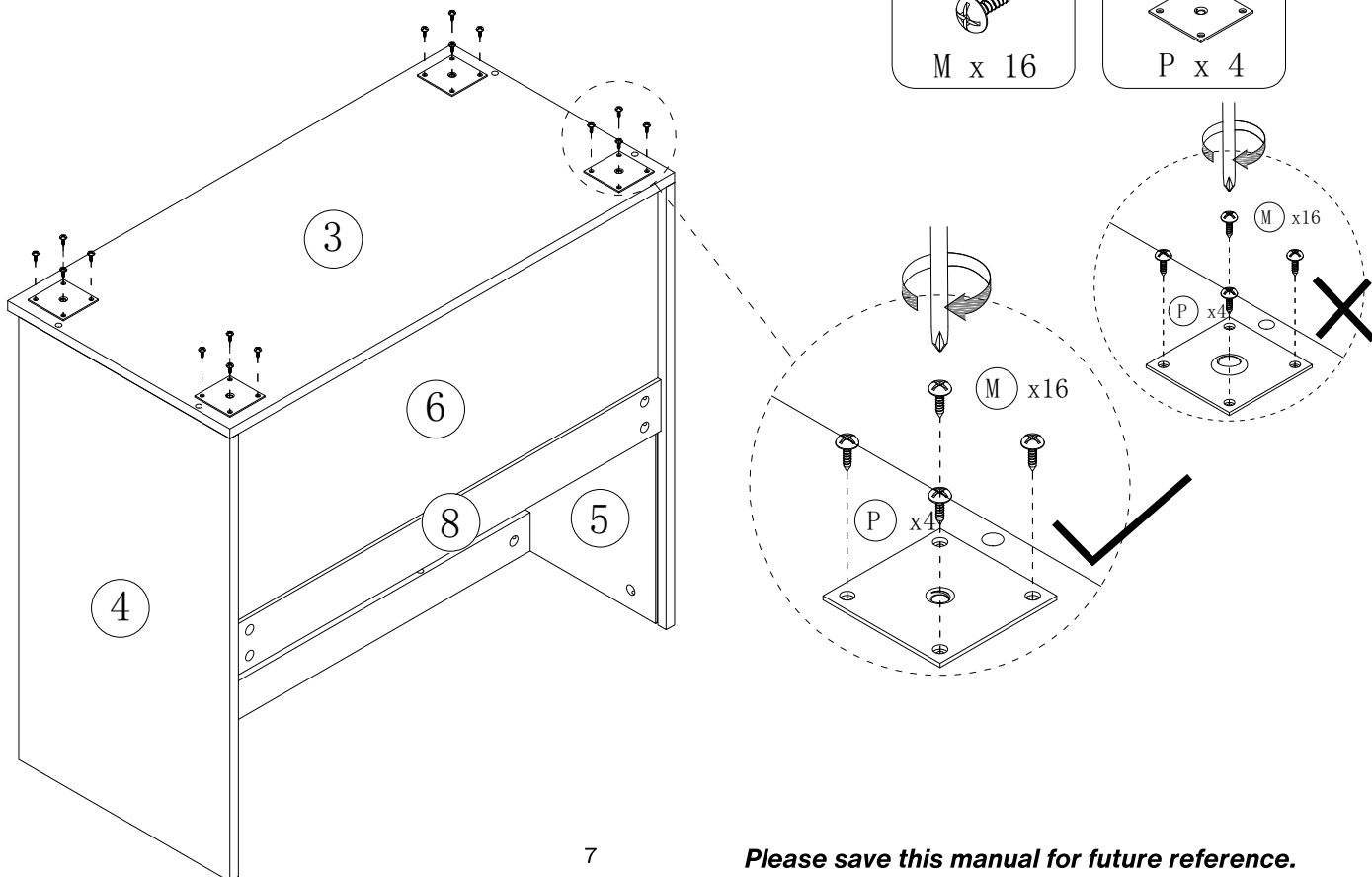
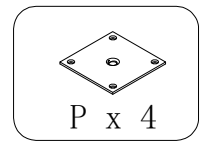
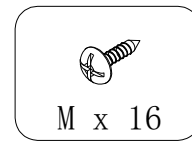
Step 4

Fix part 3 to parts 4 and 5 using wooden dowels (C) and screws (D), as shown.



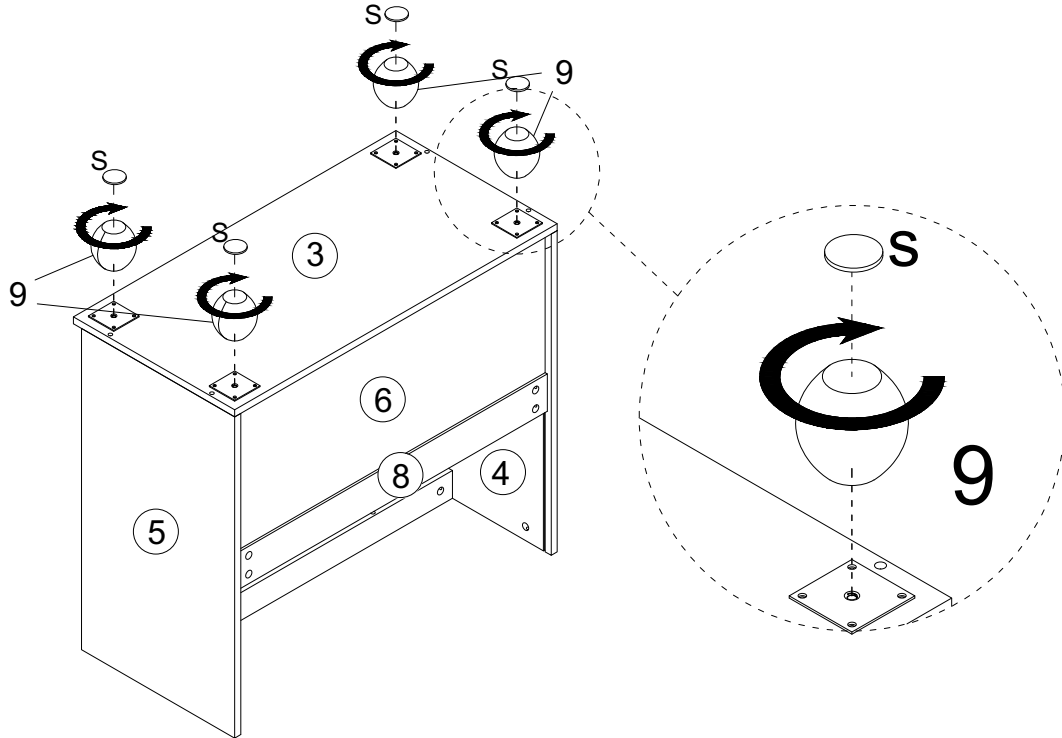
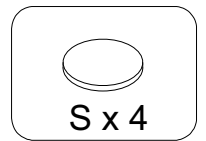
Step 5

Fix leg supports (P) to part 3 using screws (M), as shown.



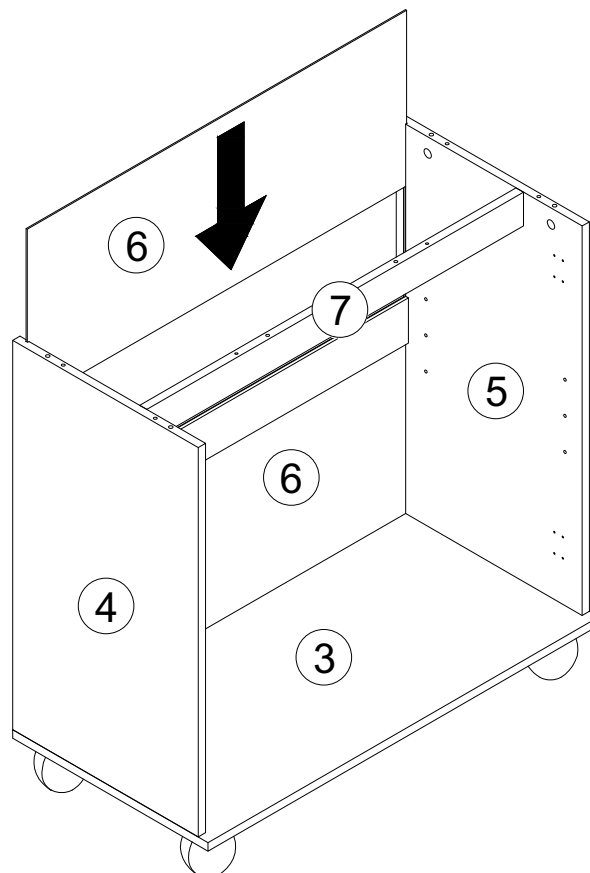
Step 6

Fix parts 9 to part 3, turn to clockwise to tighten, as shown.
Stick foot pads (S) to parts 9, as shown.



Step 7

Insert part 6 into grooves between parts 4, 5 and 8, as shown.



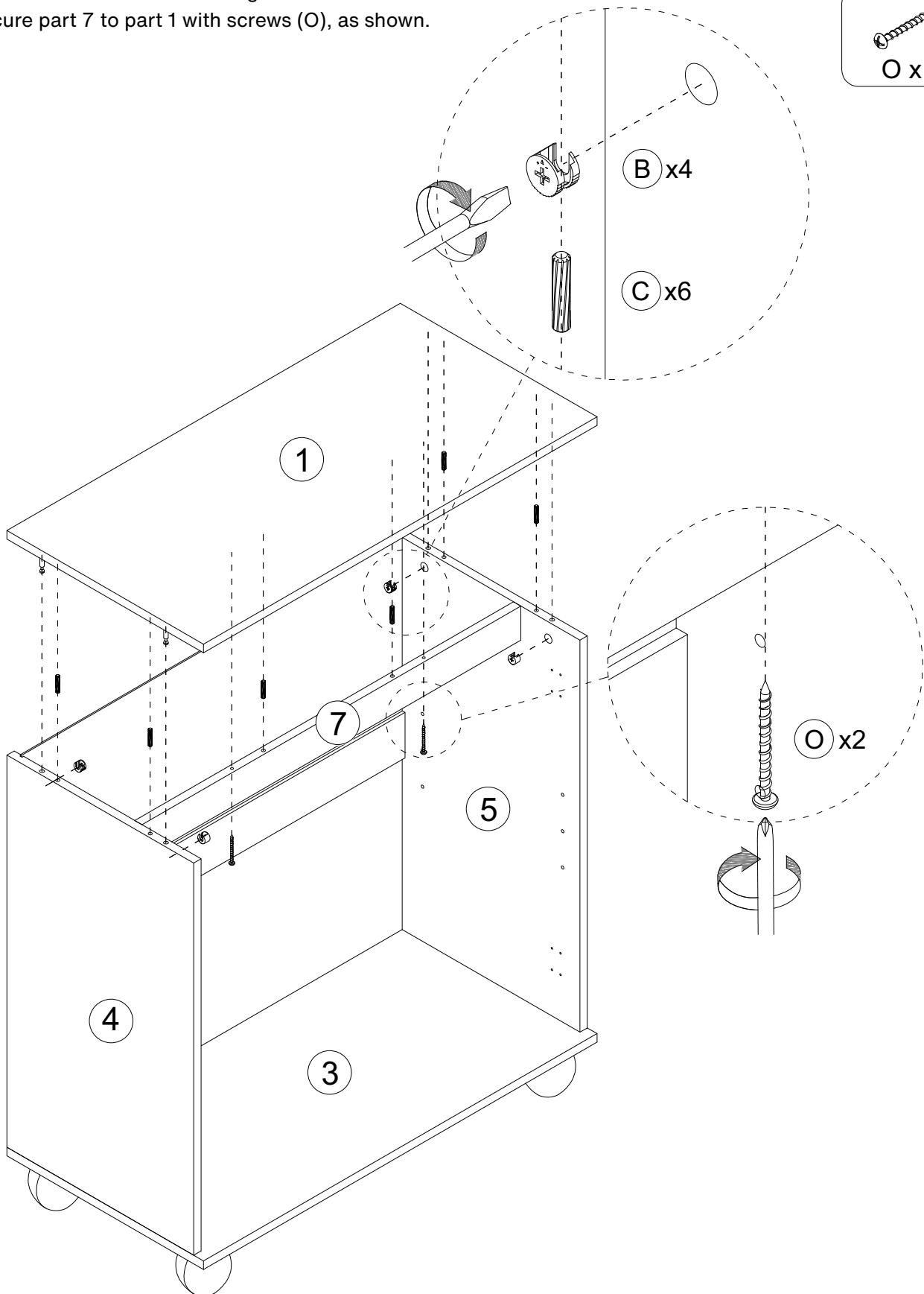
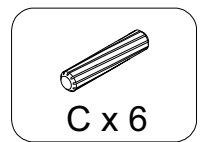
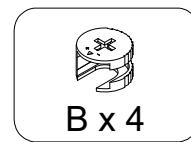
Step 8

Insert cam locks (B) and wooden dowels (C) into parts 4, 5 and 7, as shown.

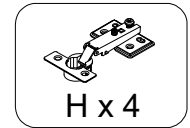
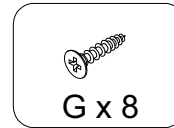
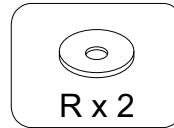
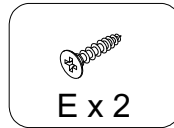
Fit part 1 to parts 4, 5 and 7, as shown.

Turn cam locks clockwise to tighten.

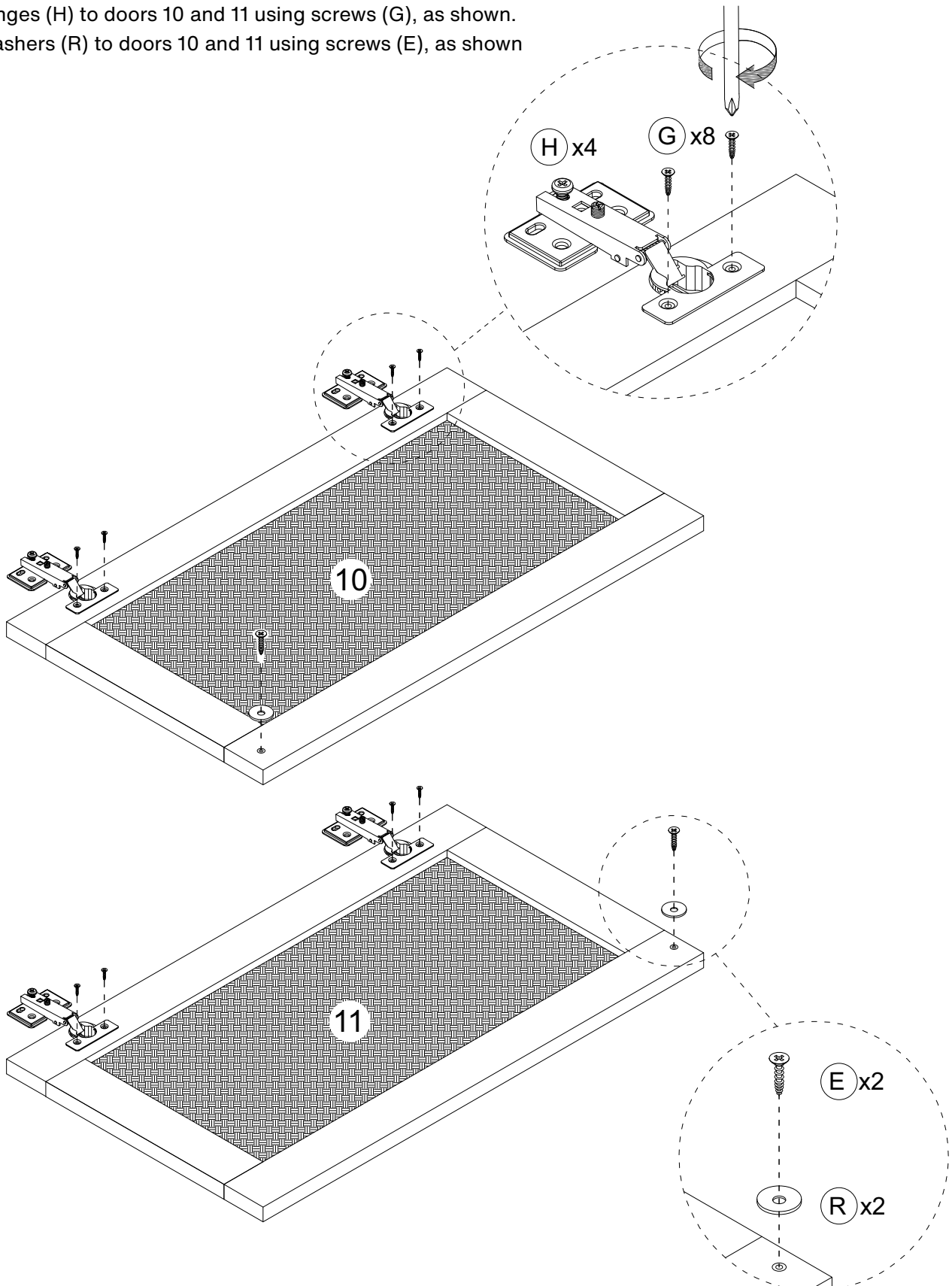
Secure part 7 to part 1 with screws (O), as shown.



Step 9

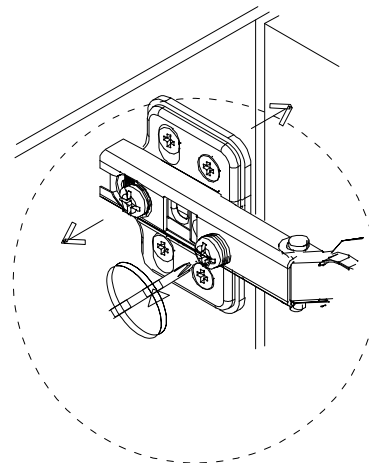
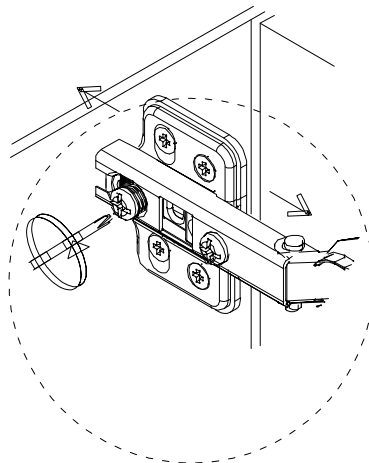
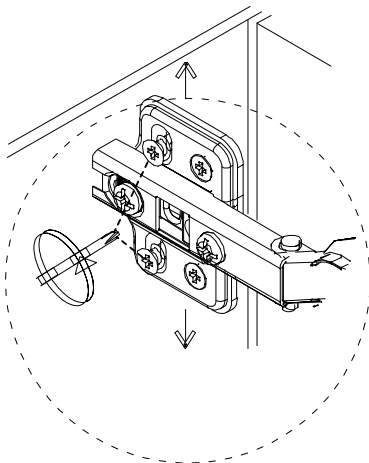
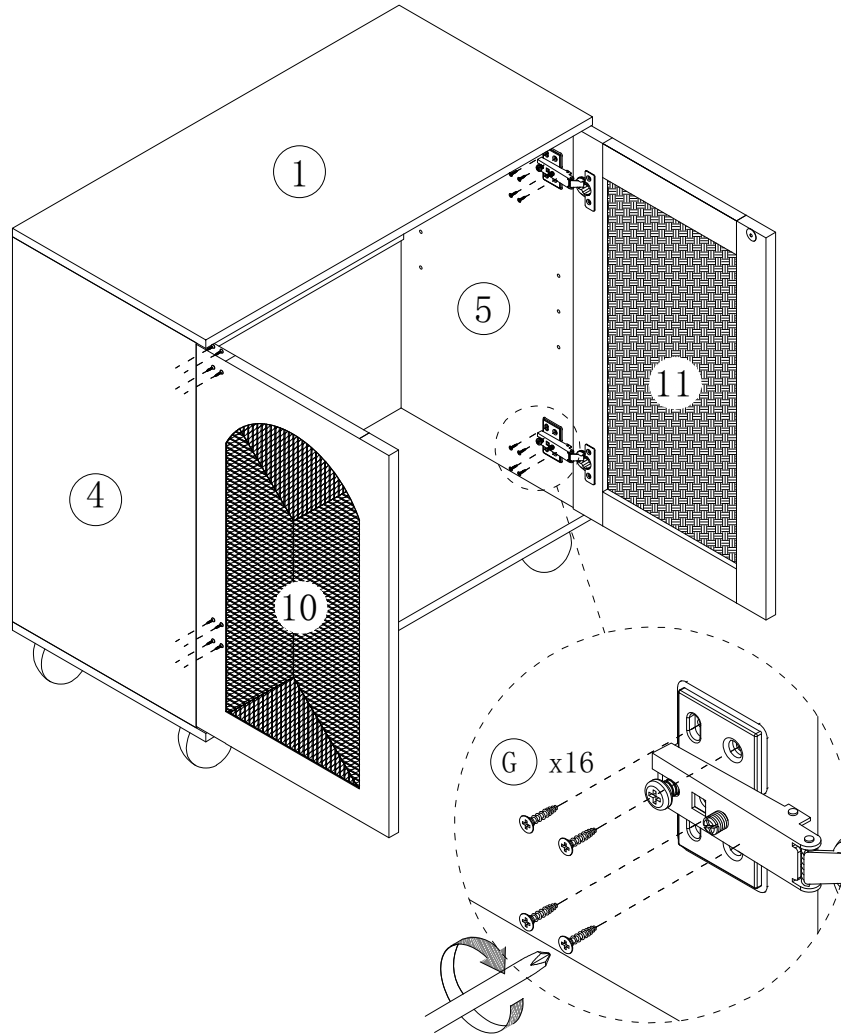
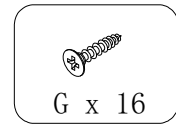


Fix hinges (H) to doors 10 and 11 using screws (G), as shown.
Fix washers (R) to doors 10 and 11 using screws (E), as shown

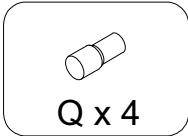


Step 10

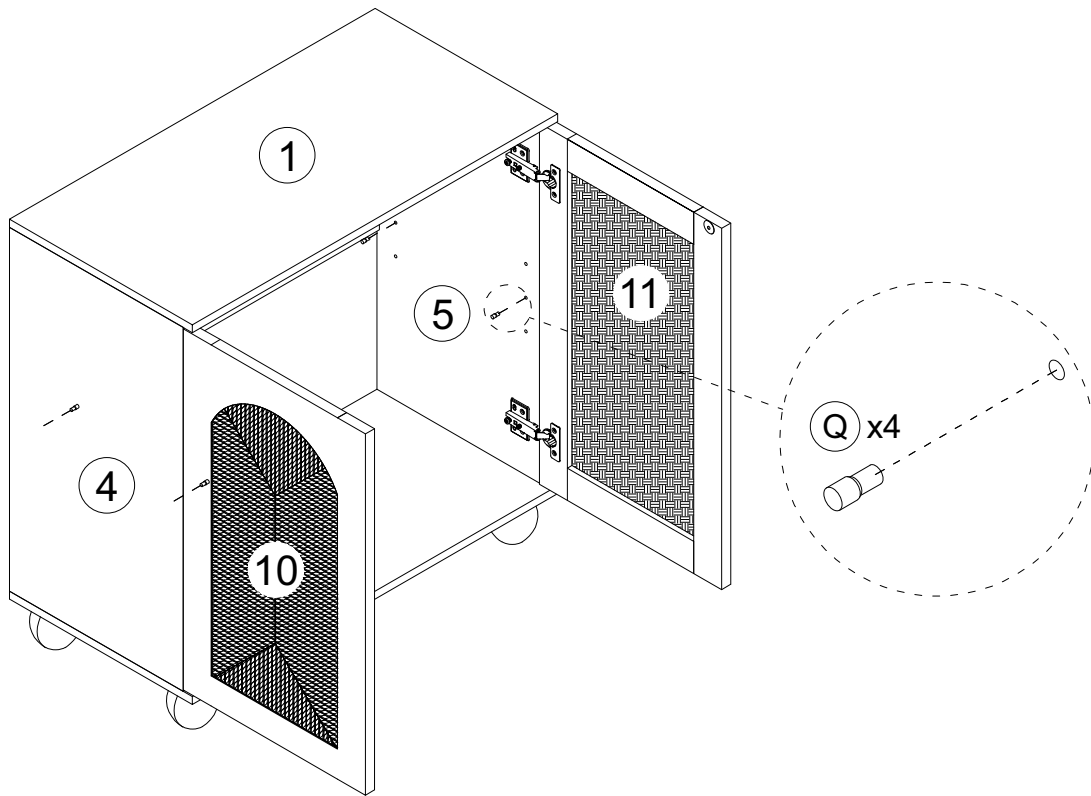
Fix doors to assembled unit with hinges and screws (G), as shown.



Step 11

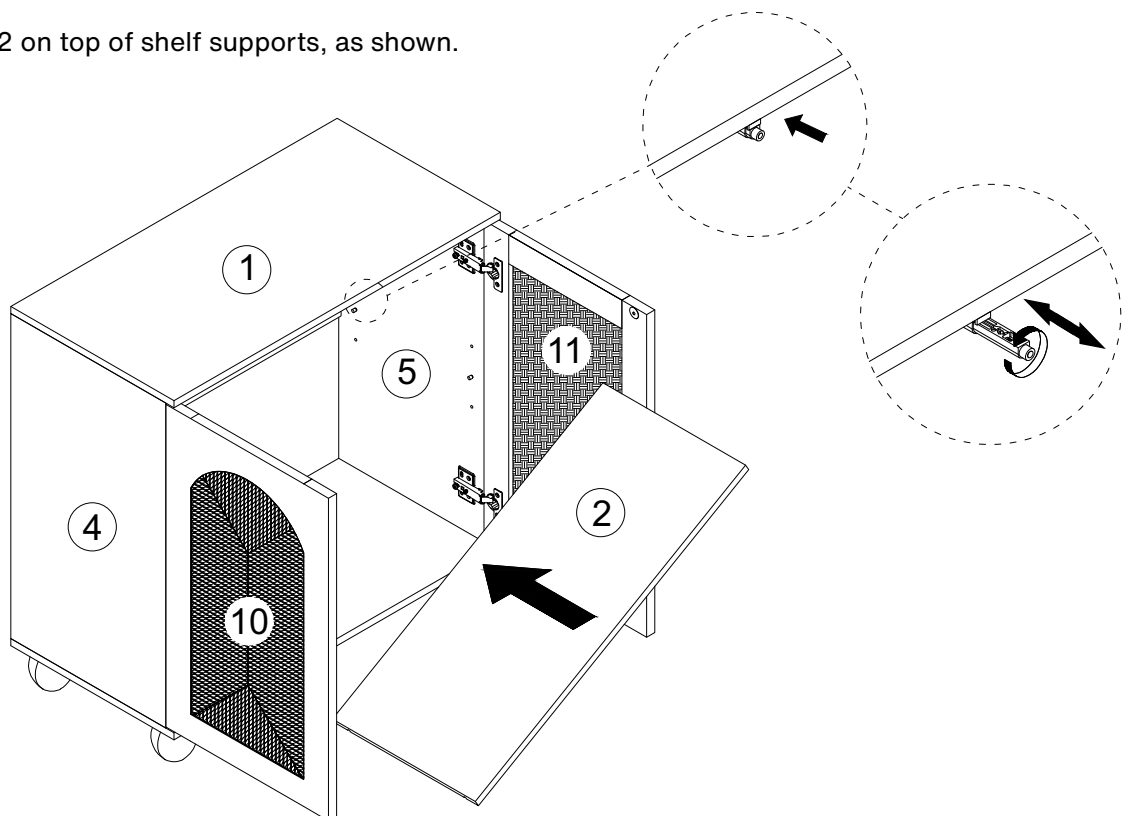


Fit shelf supports (Q) into desired position in the assembled unit.



Step 12

Place shelf 2 on top of shelf supports, as shown.

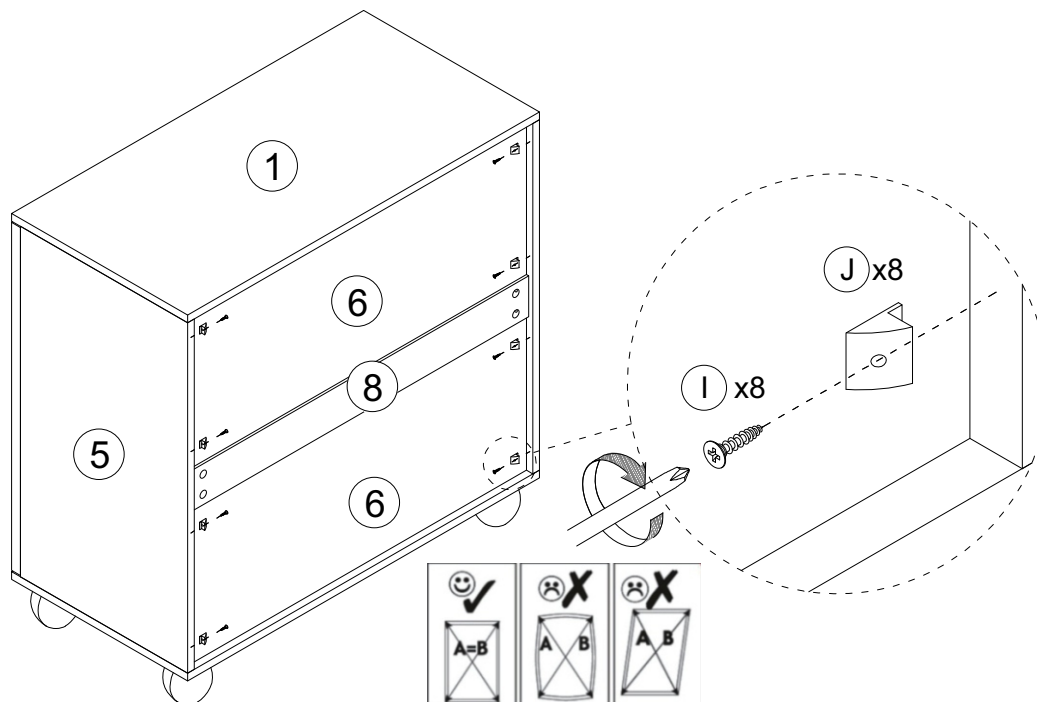
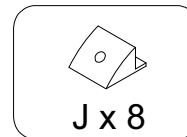
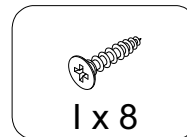


Step 13

Secure backing panels 6 by fixing wedges (J) using screws (I), as shown

ATTENTION PLEASE

Please ensure the structure is straight and level and all panels are at right angles before installing hardware (J).
MUST install hardware (J) to strengthen product stability.

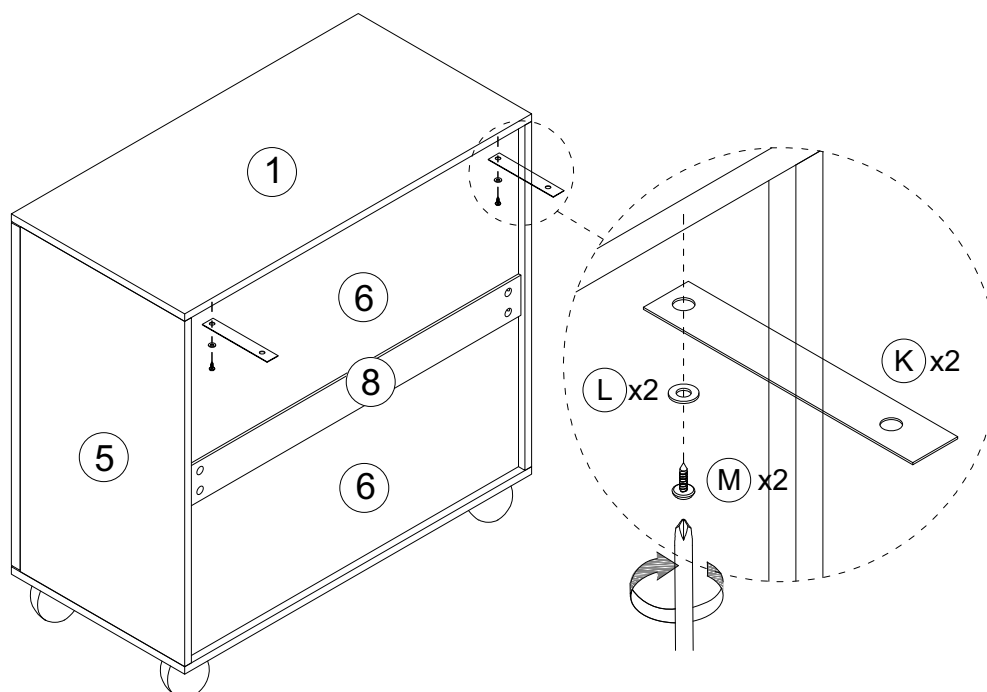
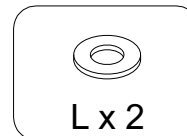
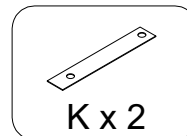


Step 14

Fix wall straps (K) to part 1 using washers (L) and screws (M), as shown.

ATTENTION PLEASE

Fix the furniture to the wall with the enclosed safety bracket to prevent it from tipping over.

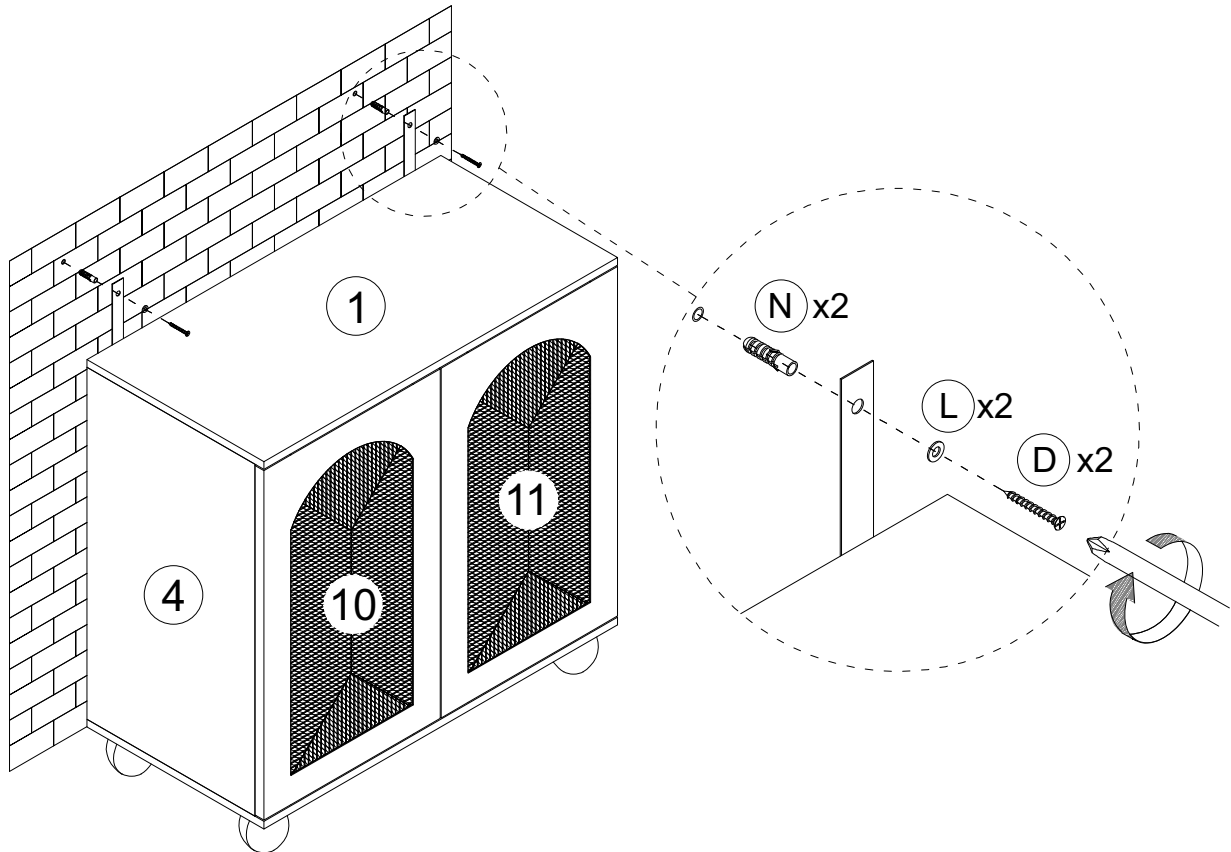
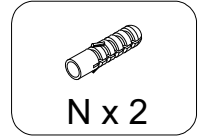
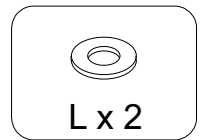
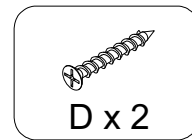


Step 15

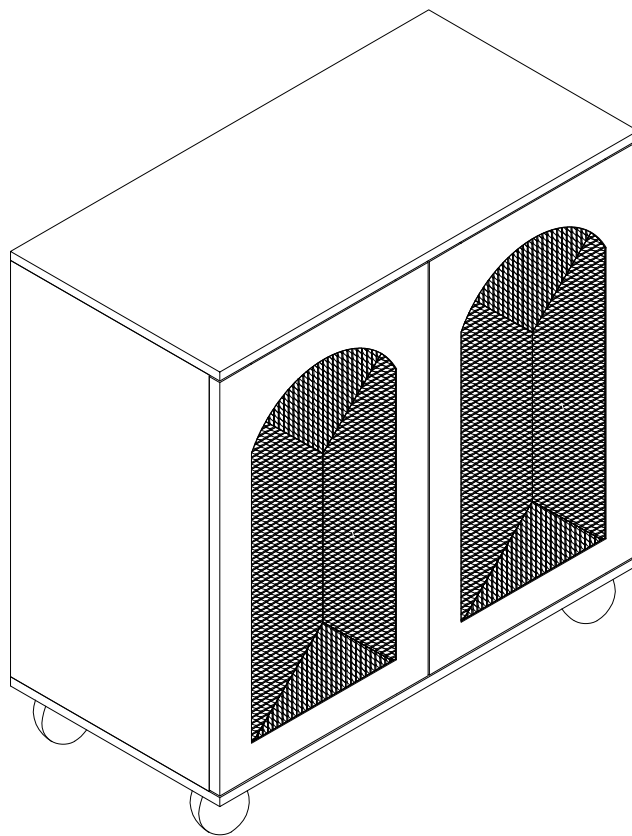
Fix cabinet to the wall using hardware (D, L and N), as shown.

Screws (D) are fixed through washers (L) and wall straps and into the wall plugs (N), as shown.

Warning We recommend you to fix the furniture to the wall with the enclosed safety racket to prevent it from tipping over if a child climbs or hangs on it.



VOILA!
Now enjoy.



Warning

DO NOT sit or stand on the Cabinet as this may damage the product and cause serious bodily injury.

Something not right?

We are always here to help.

We make mistakes like every human does.

Though we always strive to provide the best possible products at competitive prices and the best service in the industry, it's not possible to completely eliminate mistakes. If you experience any dissatisfaction, feel free to contact us immediately. Our in-house customer care team will respond ASAP.



customerservice@luxenhome.com
Get response within 24 hrs



909.548.6688
Mon-Fri 9am-5pm PST/PDT



www.luxenhome.com/help
Submit a ticket on our website

Things to do to expedite the process

- Have your order# ready
- Take photos/videos to help us better identify the issues
- DO NOT throw away the packaging

Happy with our product?

Leave us a review

It really help us as a small business

- Find the product you purchased on our website (tip: search by SKU) and leave us a review.
- Alternatively, you can always return to the marketplace where you purchased it and leave a review there.

Share with others

Our customers look for REAL stuff



- Follow us on IG @luxen.home
- Share your #liveluxen moments



**Please save this manual
for future reference.**