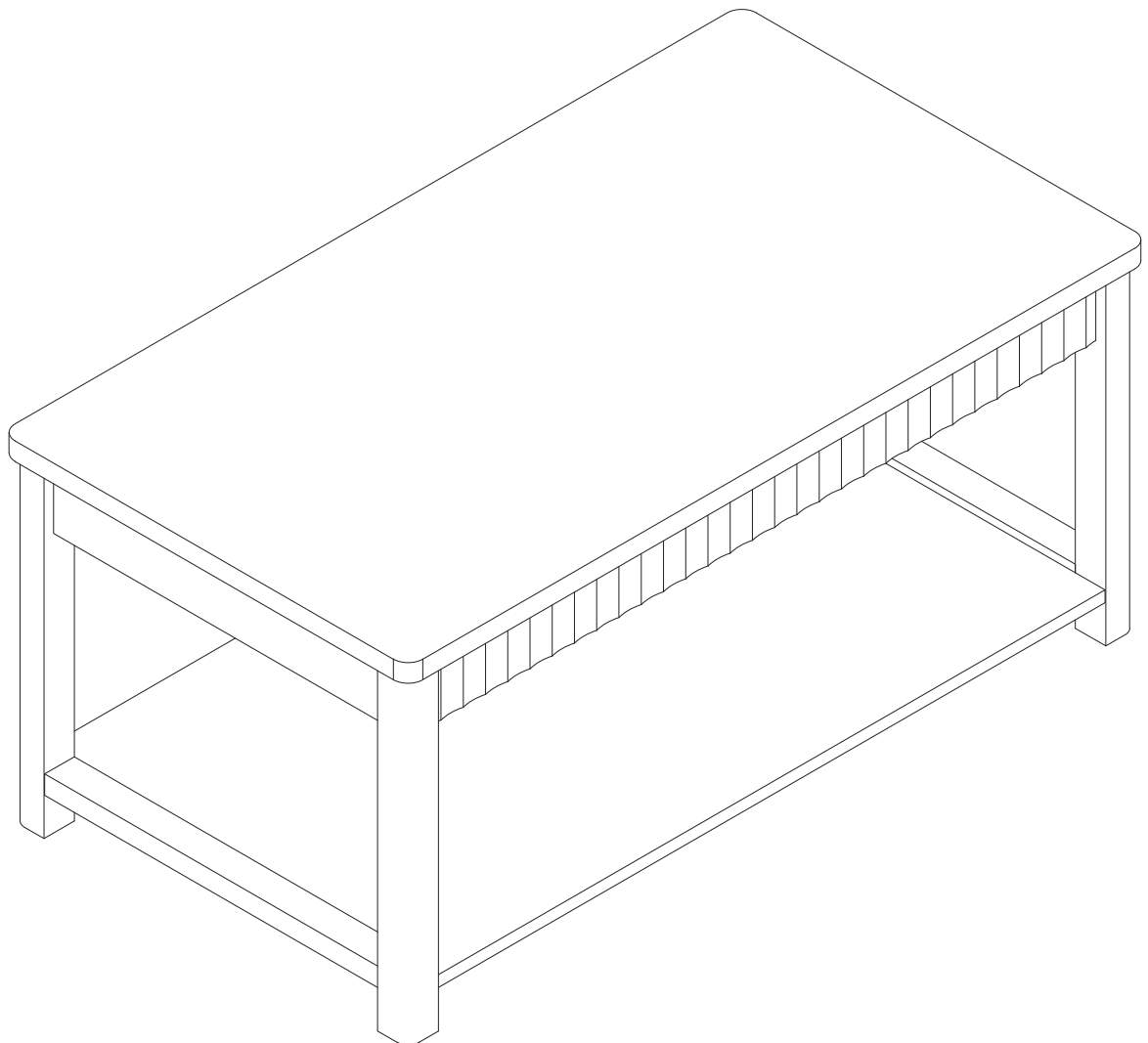


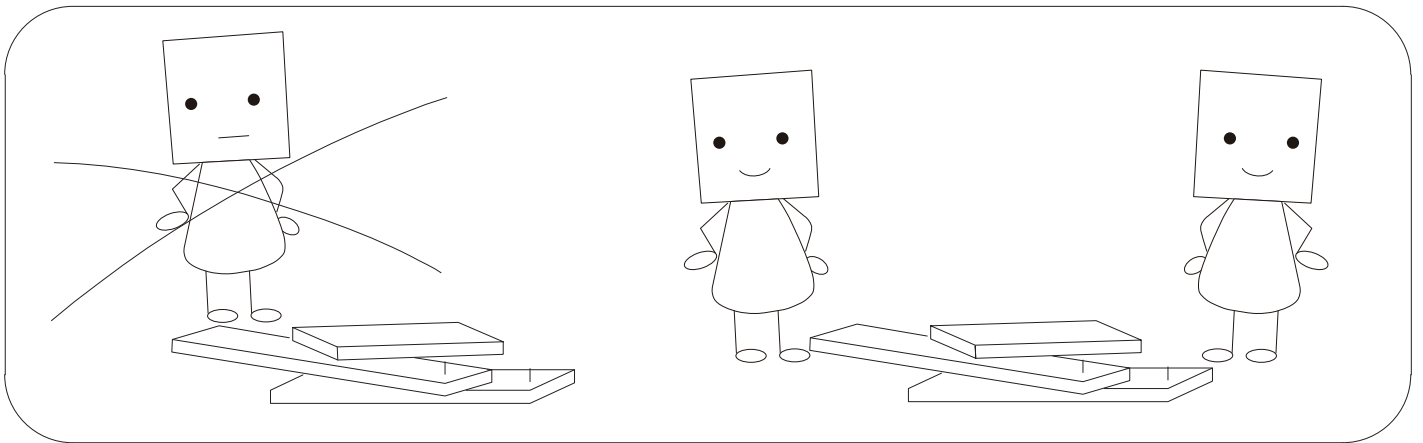
# ASSEMBLY INSTRUCTION



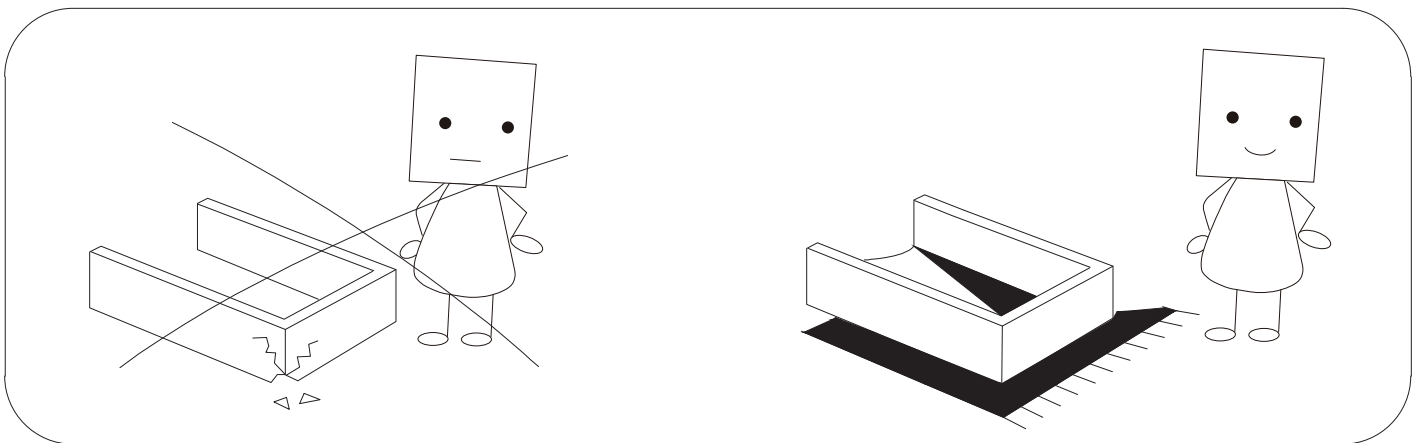


# WARNING

Need Two Or More People To Complete

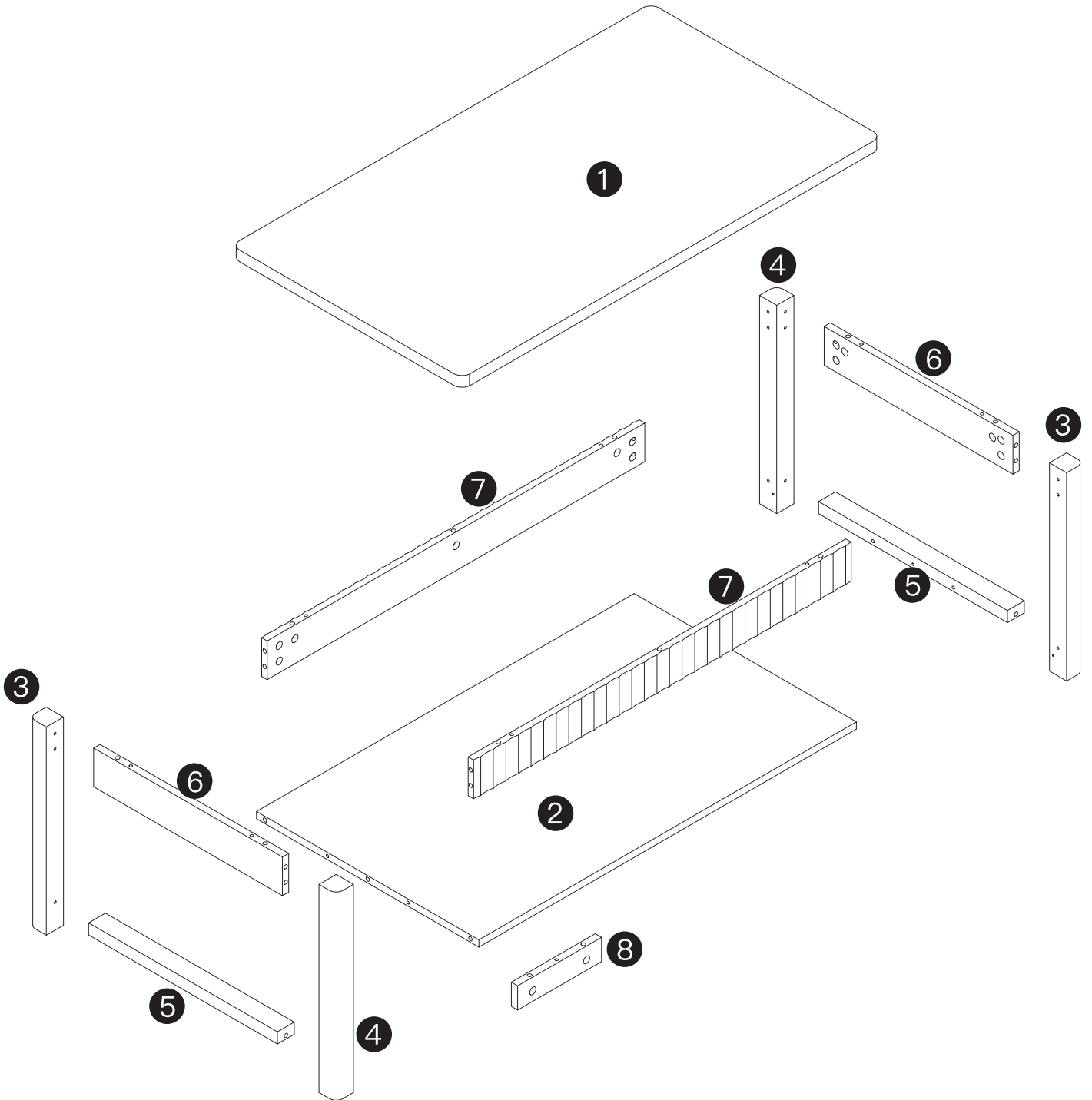


Assemble Item On a Clean Flat Surface



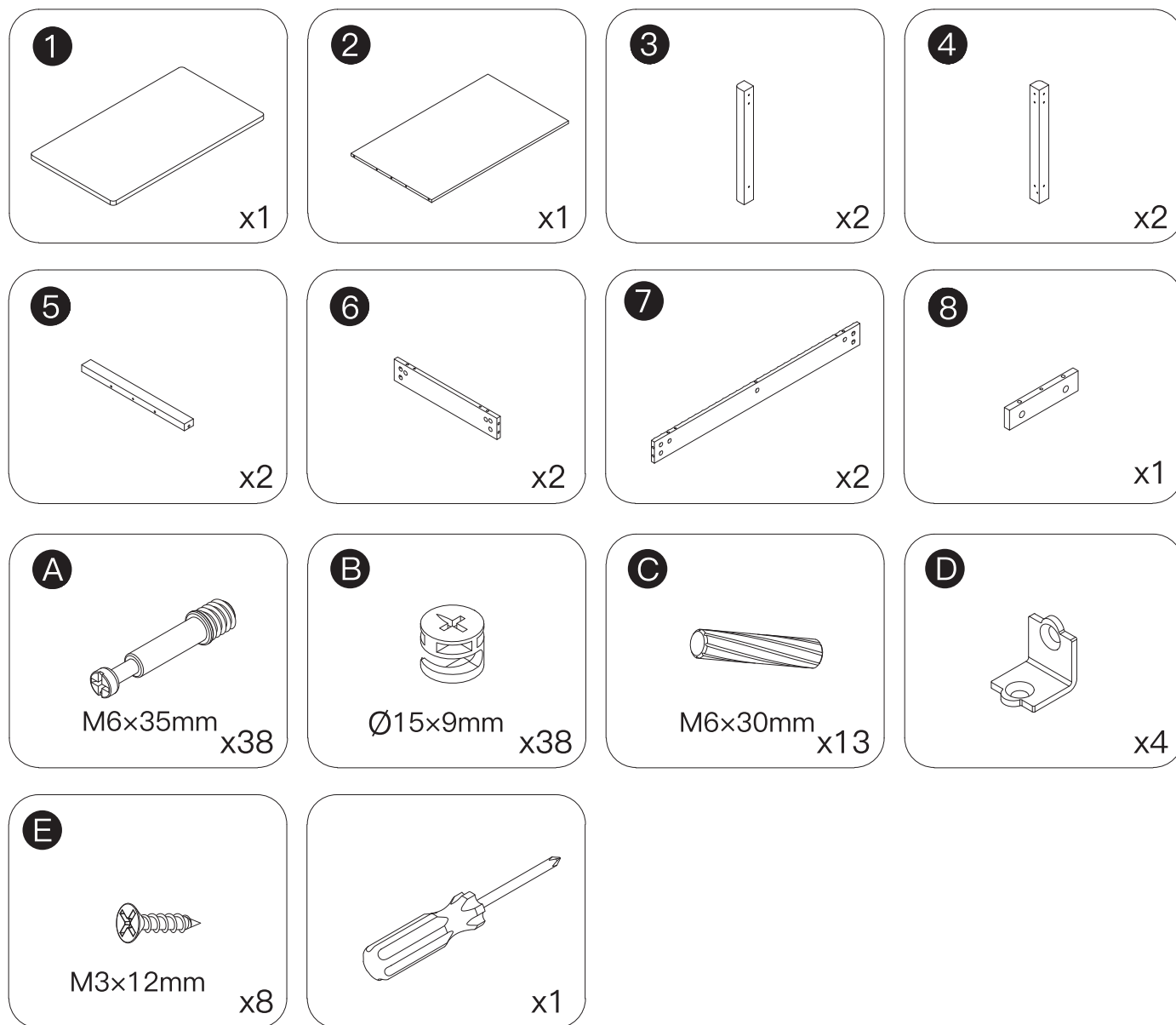
- Please check you have all hardware before assembling.
- Please ensure you have the name of the item and hardware part required and quantity.
- If you have any questions, please contact us by original purchase platform. we will reply you ASAP.

# EXPLODED DRAWING:



Please check all parts and accessories according to the parts list before assembling, make sure all contents are sufficient and in good condition. If there is any parts missing or defective, please contact us with purchase platform message immediately to get replacement parts.

## PARTS:

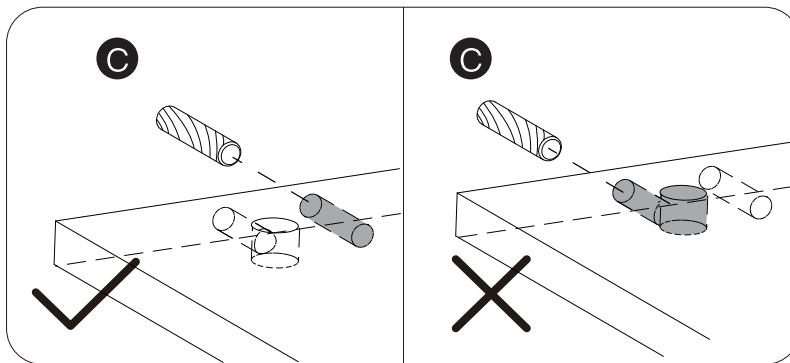


# HOW TO INSTALL

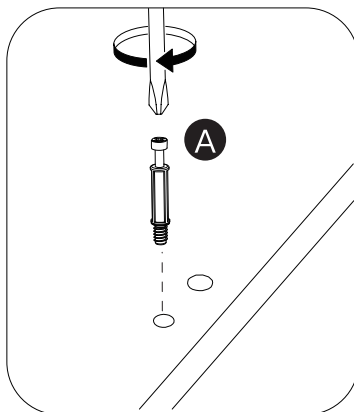
## NOTICE:

1. Use electric drill for easier installation experience.
2. Please drive the screws in pre-drilled holes.
3. Please strictly follow the instruction and diagram in every step.
4. Make sure every part is on the right position, otherwise it may cause unnecessary problem.
5. Select the proper component via the label on every part while assembling.

## REMARK:



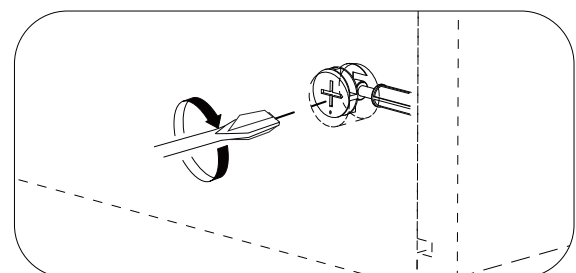
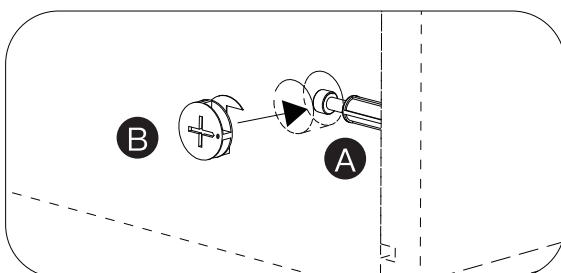
Avoid inserting part C into wrong holes.



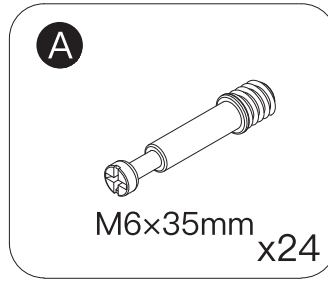
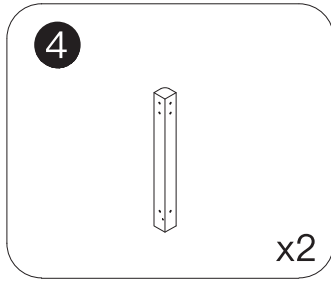
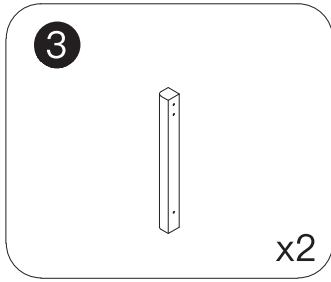
Part A must be installed into the holes with rubber nuts which are smaller than others.

Please ensure that part A is facing the direction of the gap of part B .

When locking part B, please make sure part A is fully inserted.

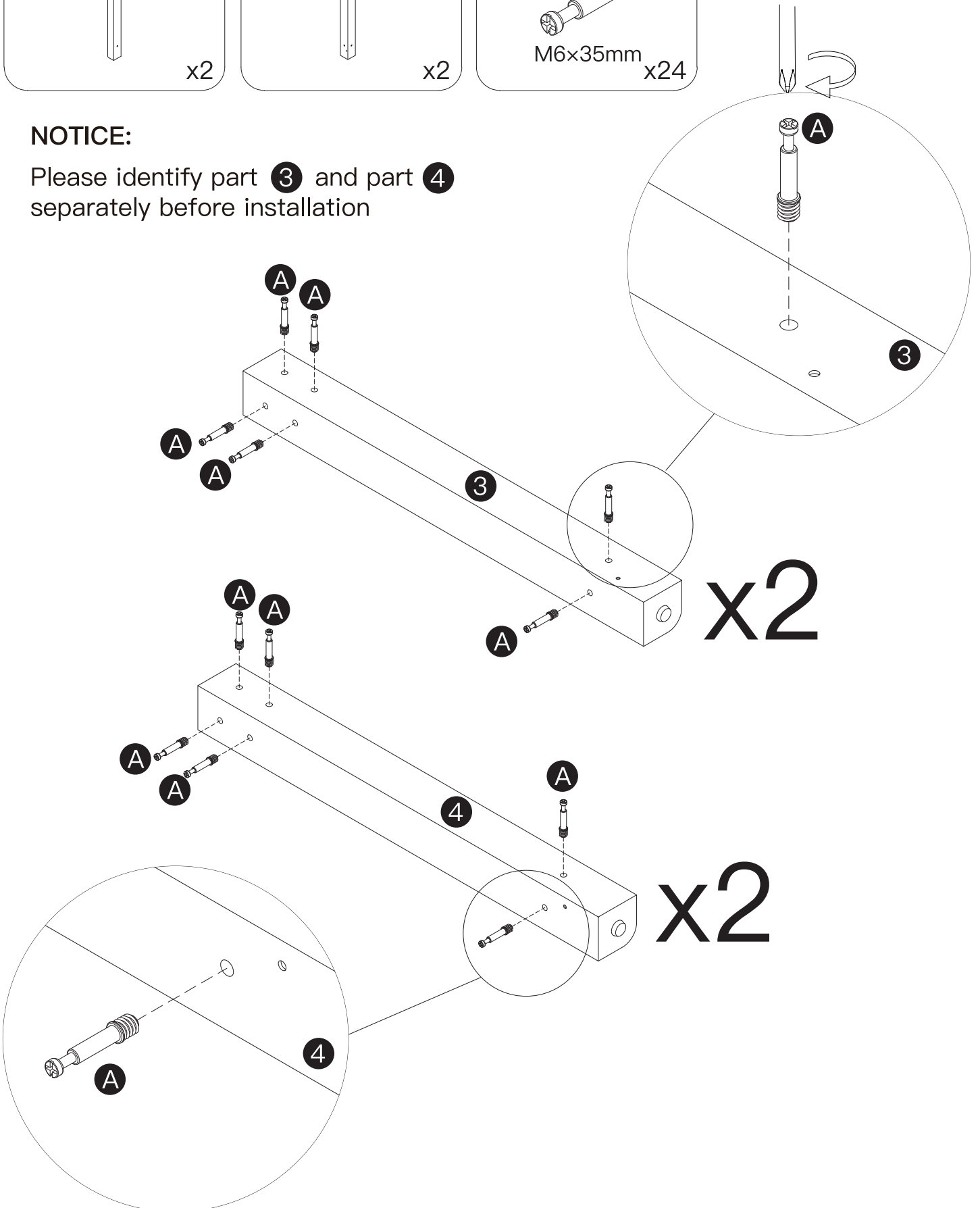


# STEP 1



## NOTICE:

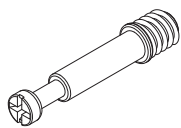
Please identify part 3 and part 4 separately before installation





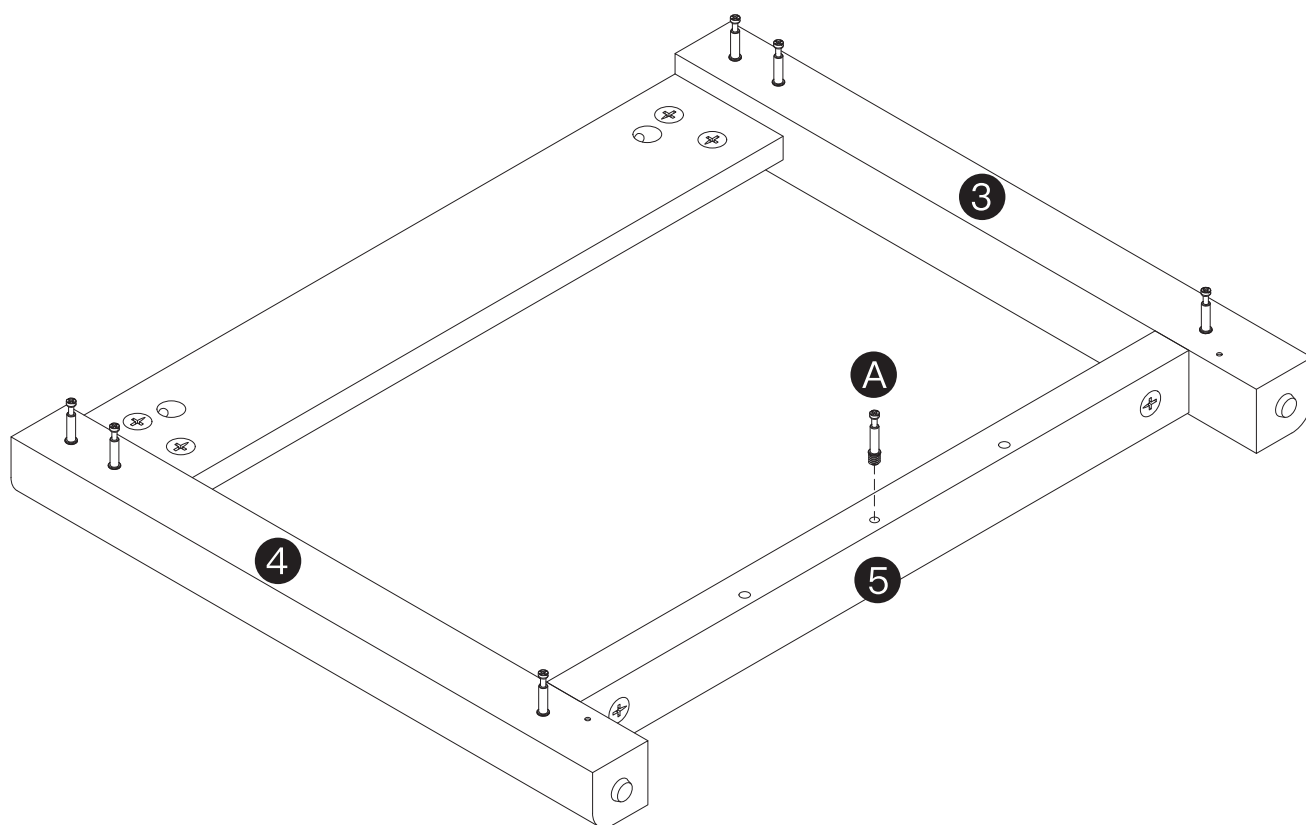
# STEP 3

A



M6x35mm

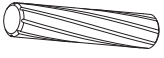
x2



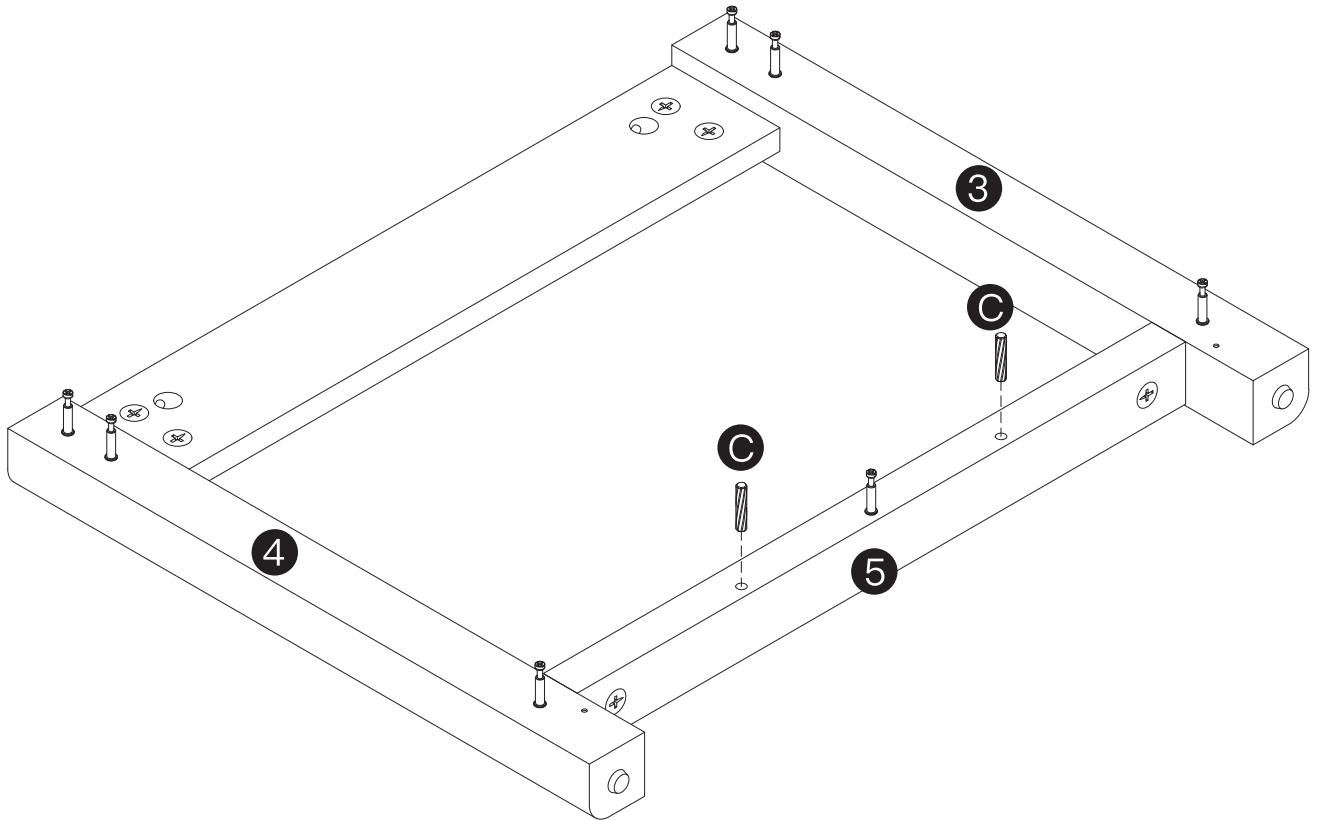
x2

# STEP 4

**C**

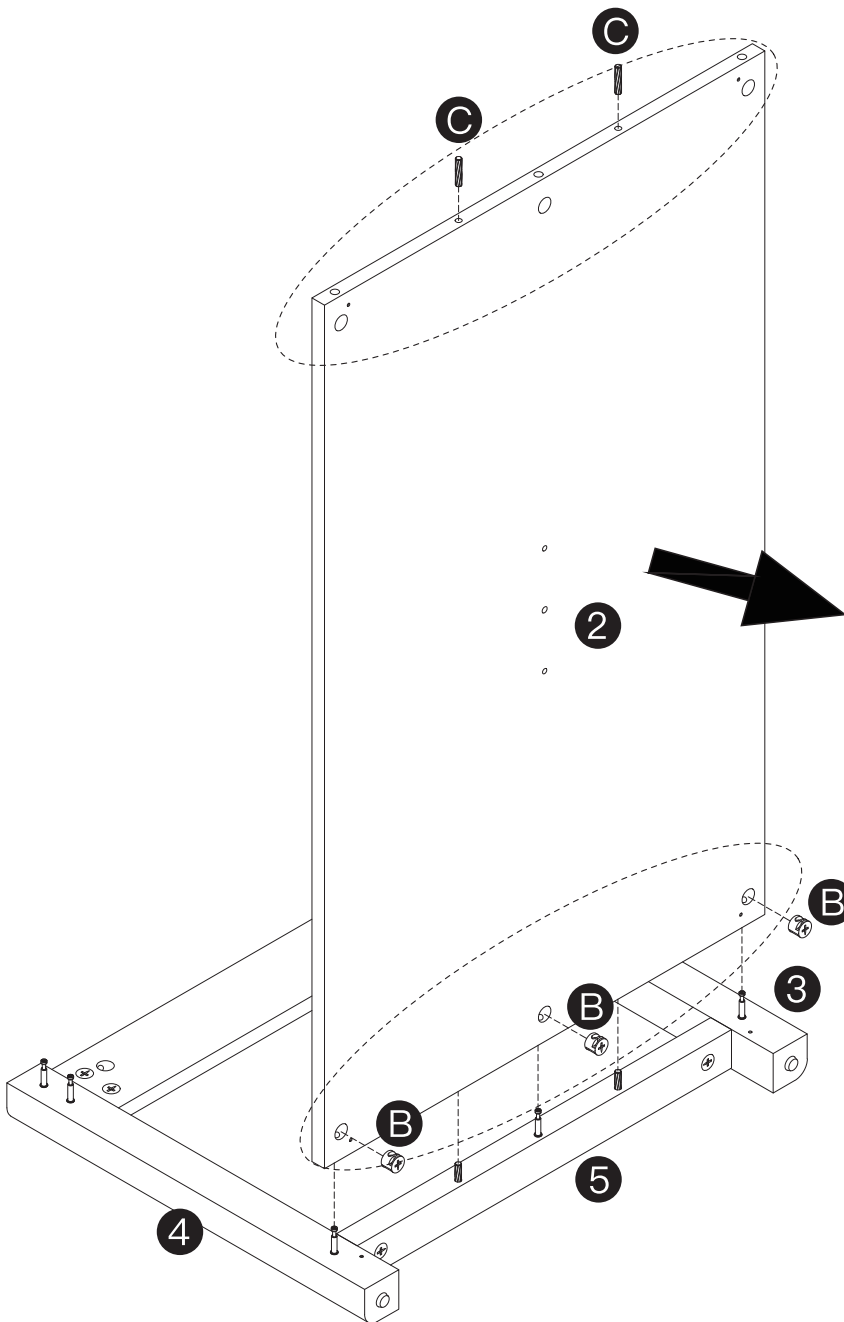
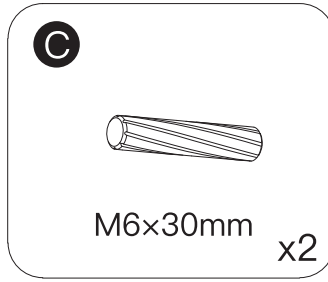
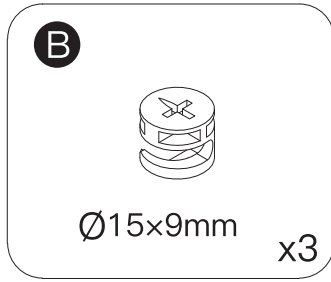
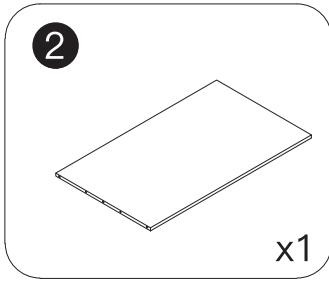


M6x30mm  
x2



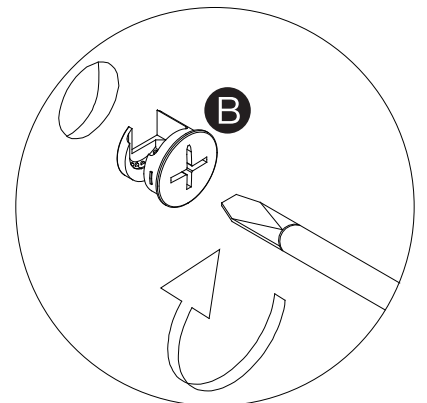
x1

# STEP 5

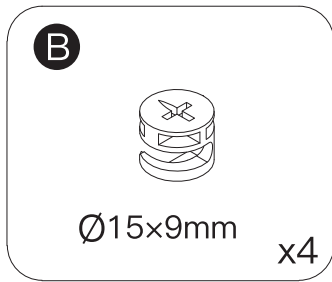
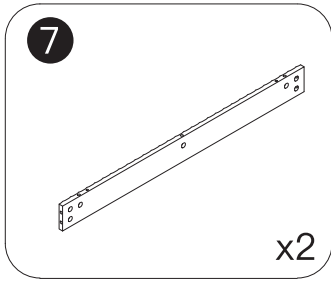


## NOTICE:

Please ensure that the specific side of part 2 is installed on the outside.



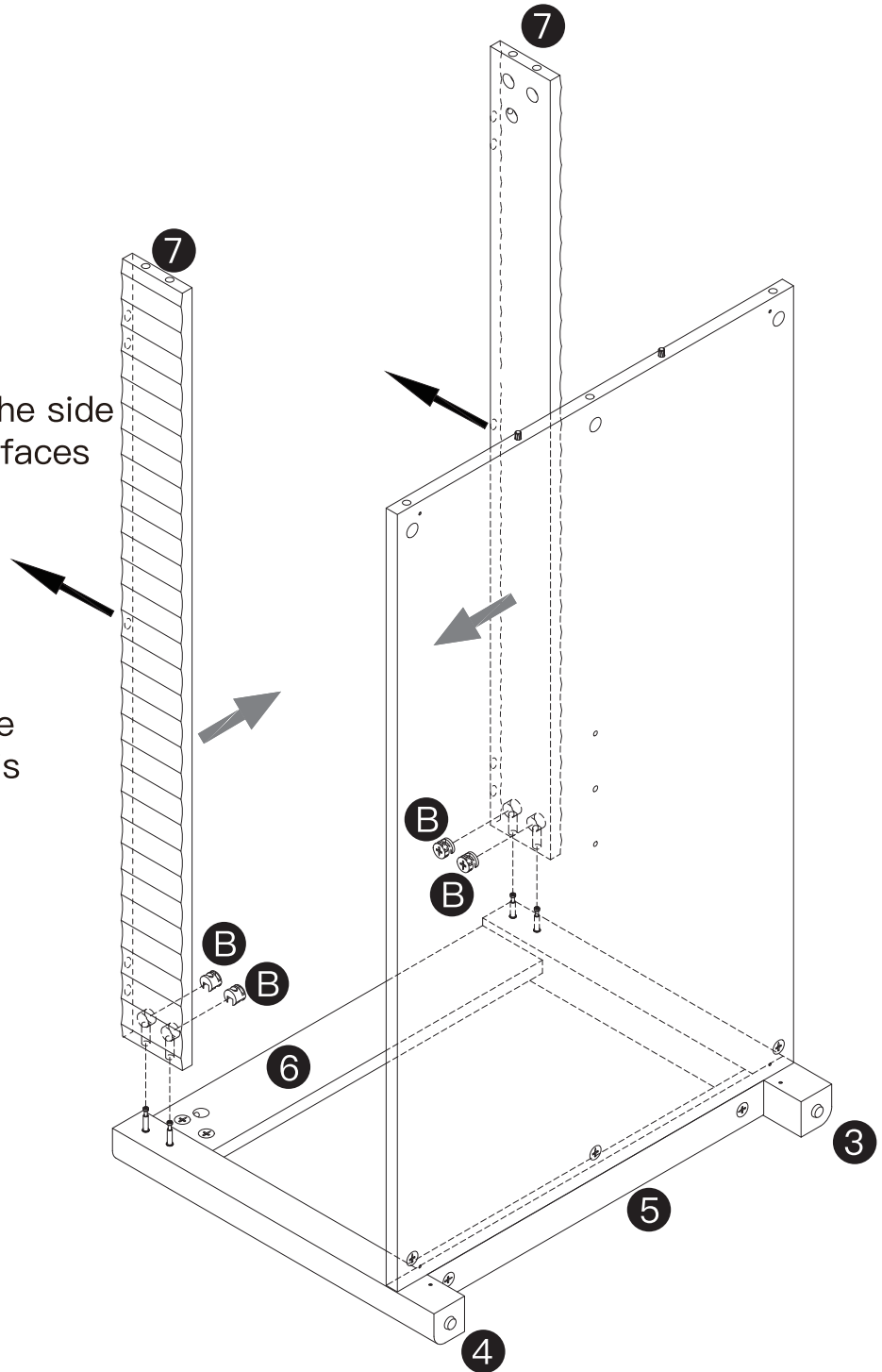
# STEP 6



## NOTICE:

(1) Please ensure that the side of part 7 with 5 holes faces outward.

(2) Please ensure that the smooth side of part 7 is installed inside.



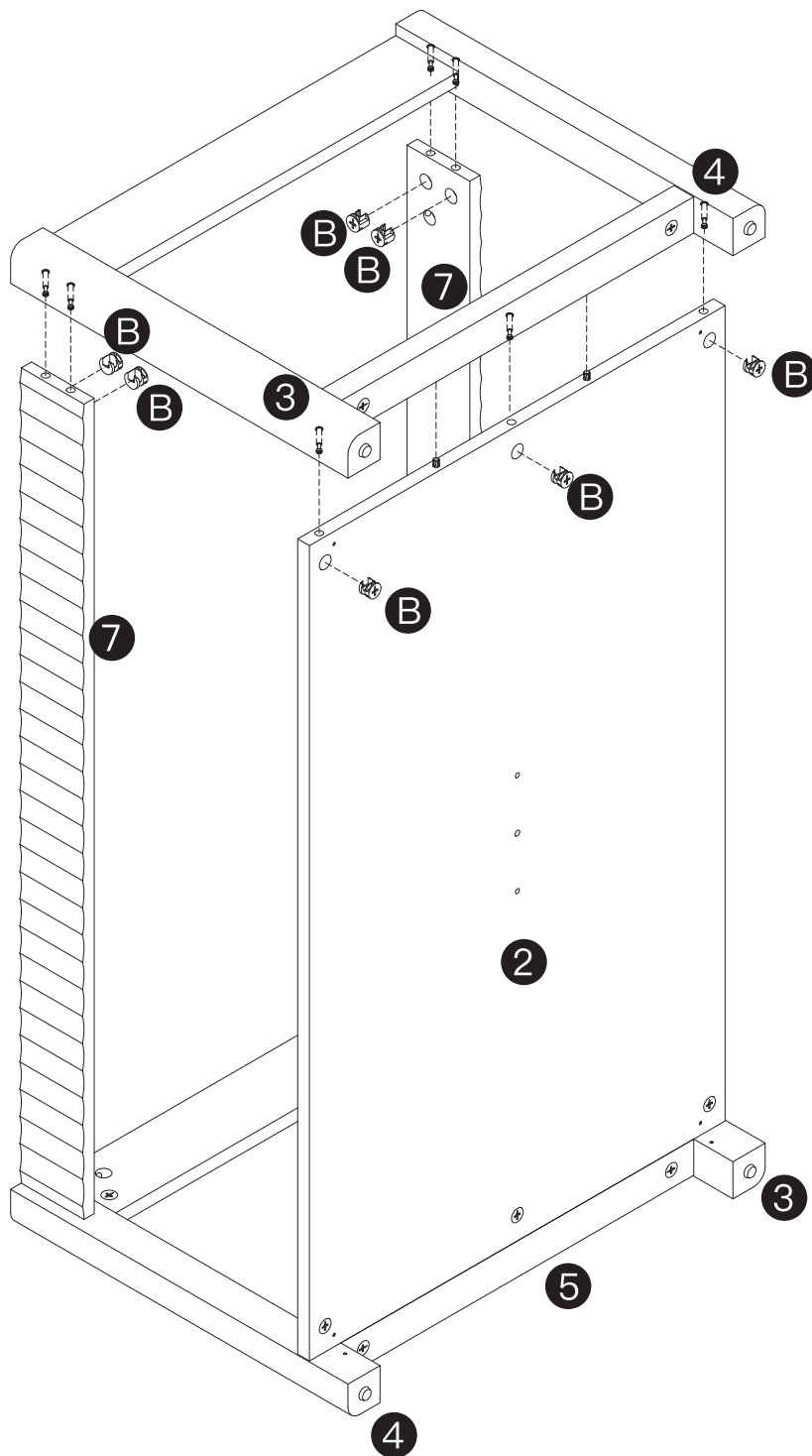
# STEP 7

**B**



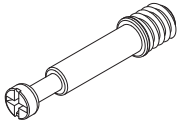
Ø15x9mm

x7



# STEP 8

A

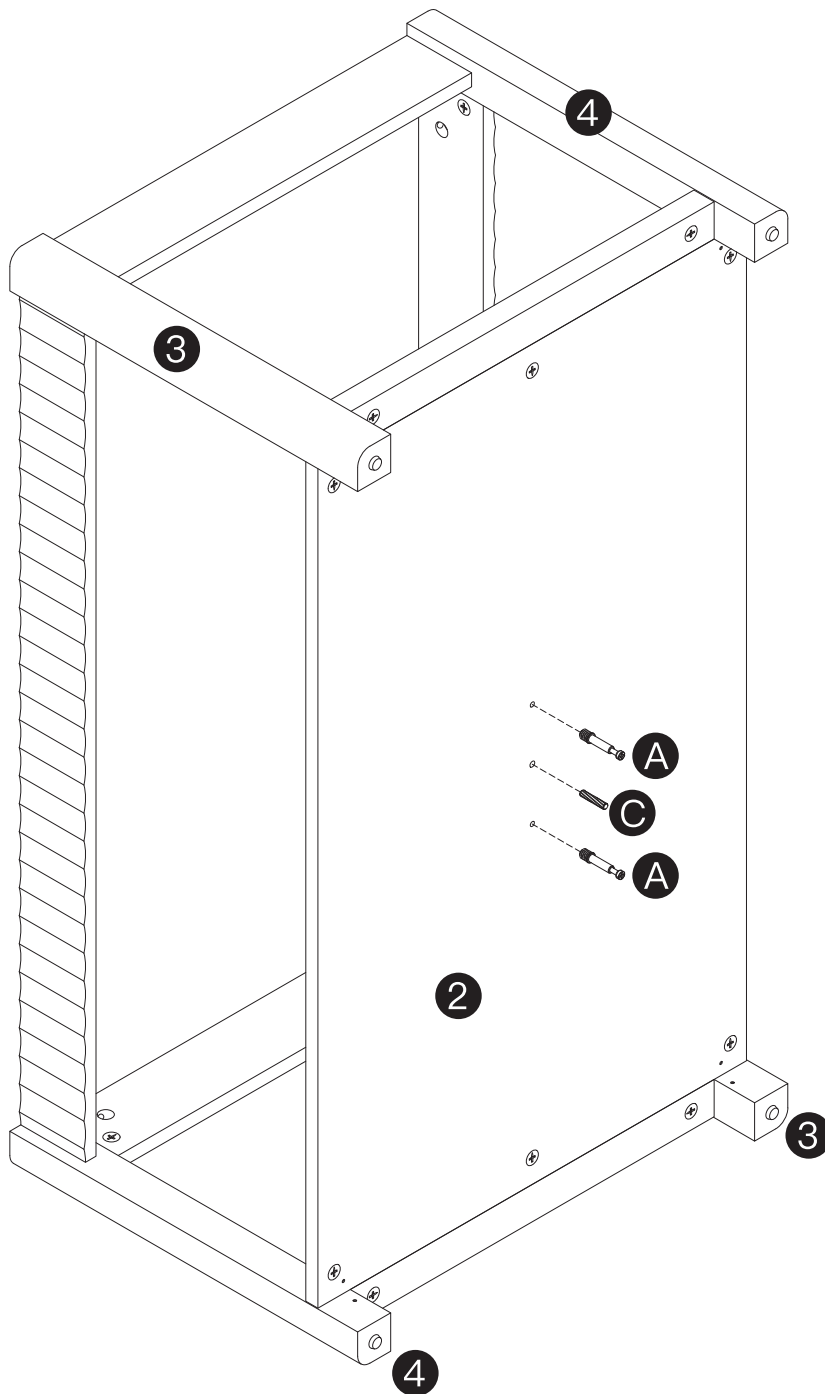


M6x35mm x2

C



M6x30mm x1



# STEP 9

8



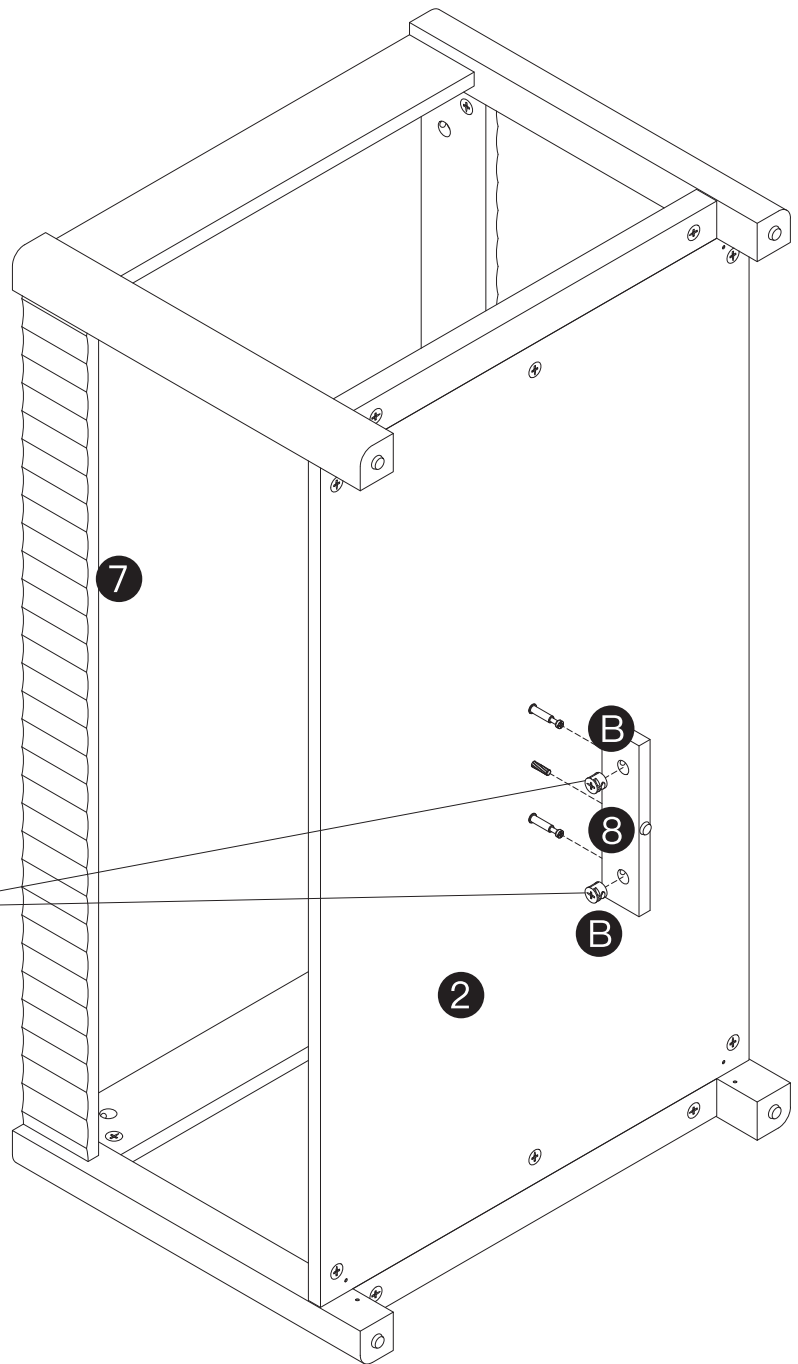
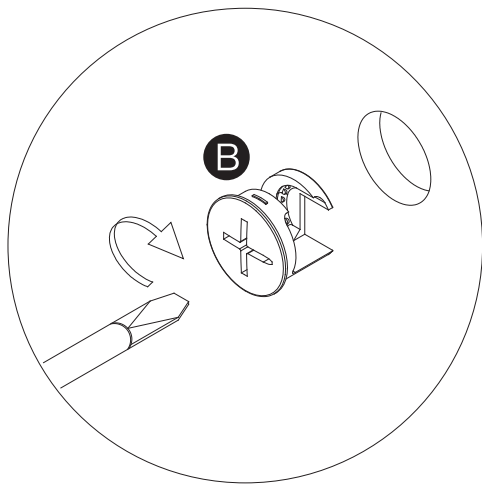
x1

B



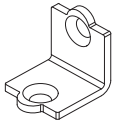
Ø15x9mm

x2



# STEP 10

**D**



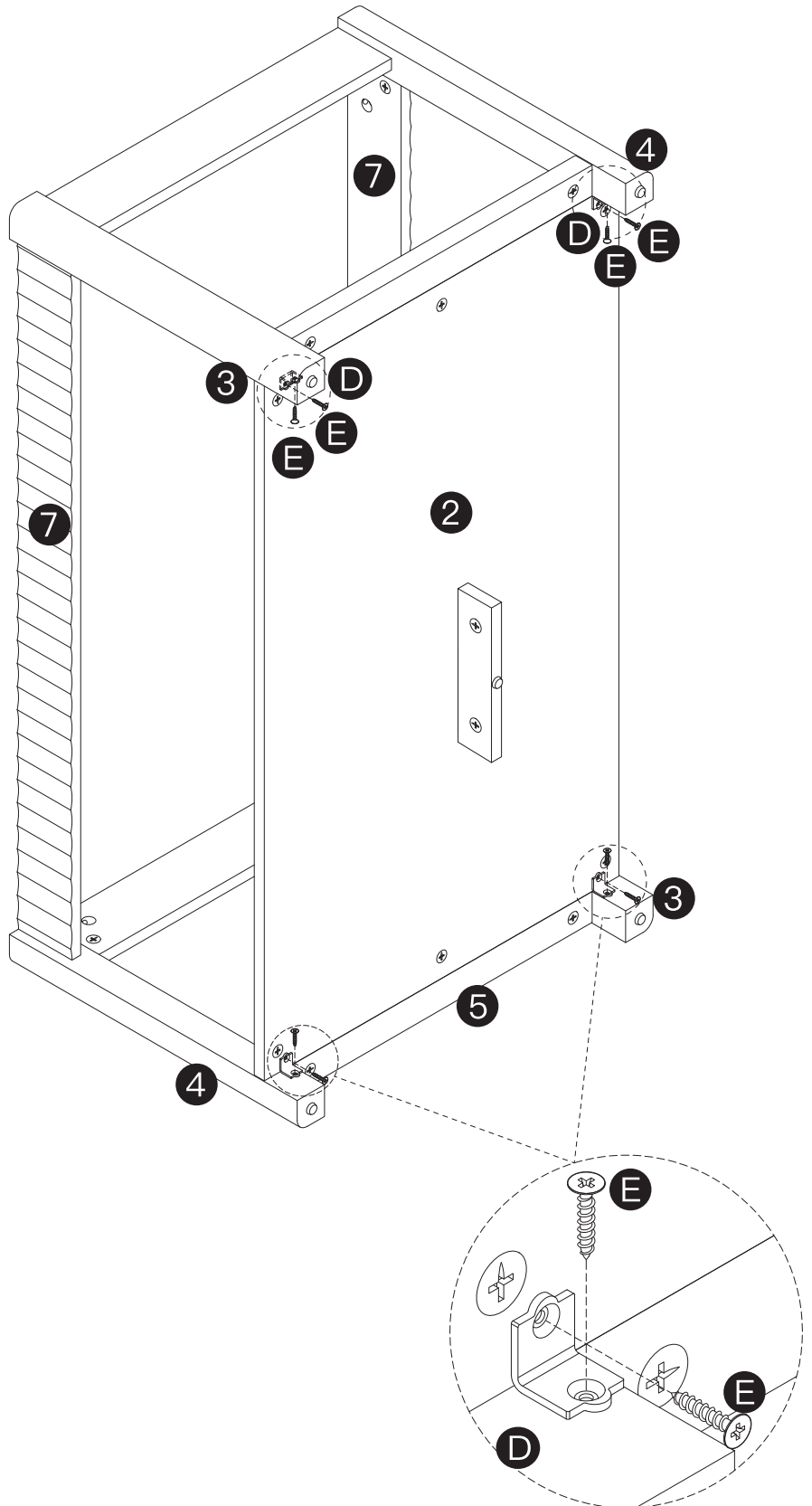
x4

**E**



M3x12mm

x8

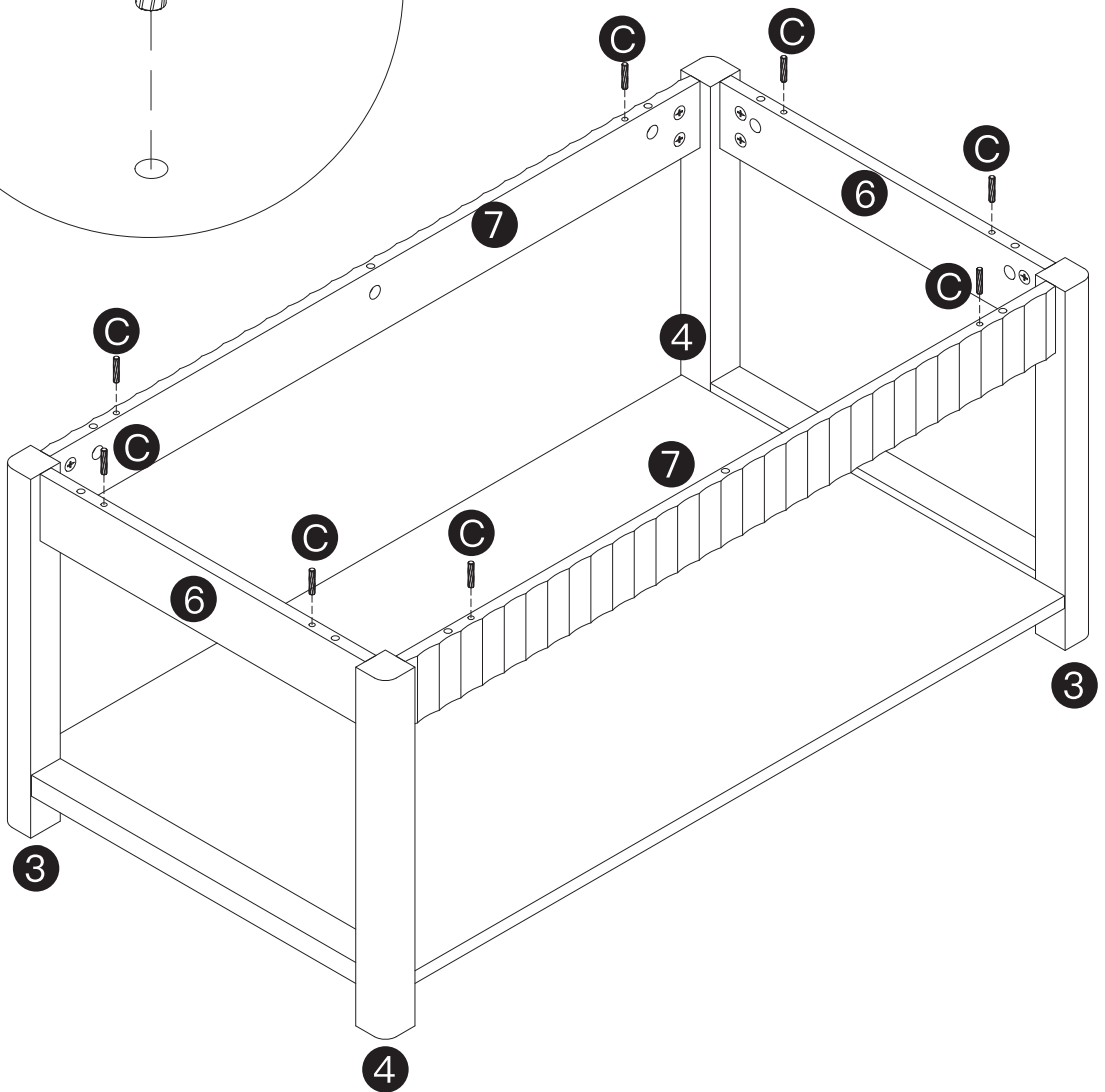
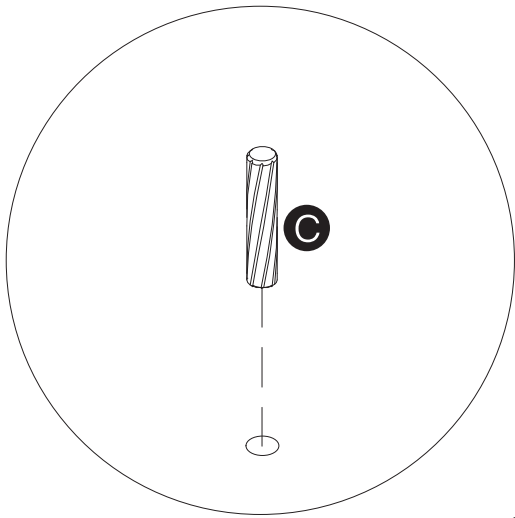


# STEP 11

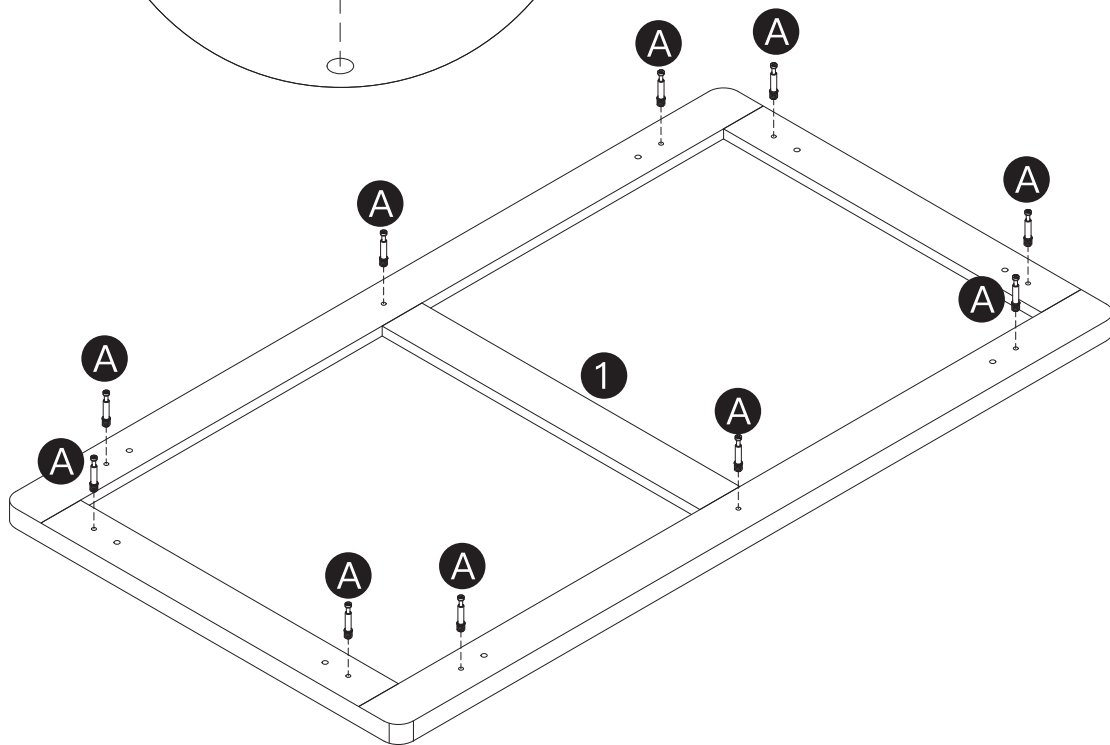
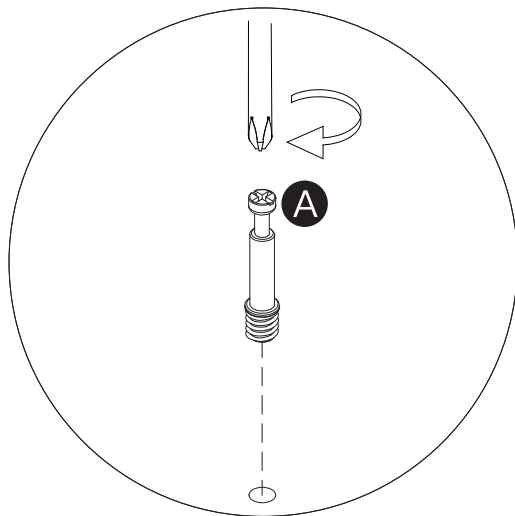
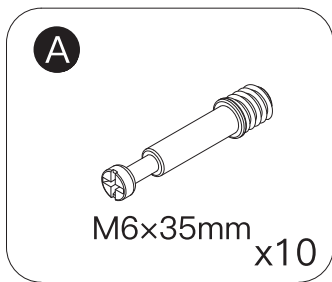
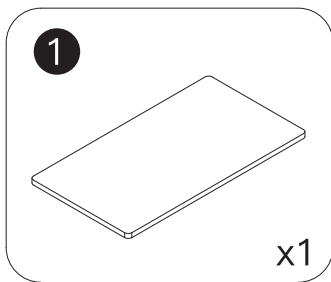
**C**



M6x30mm  
x8



# STEP 12

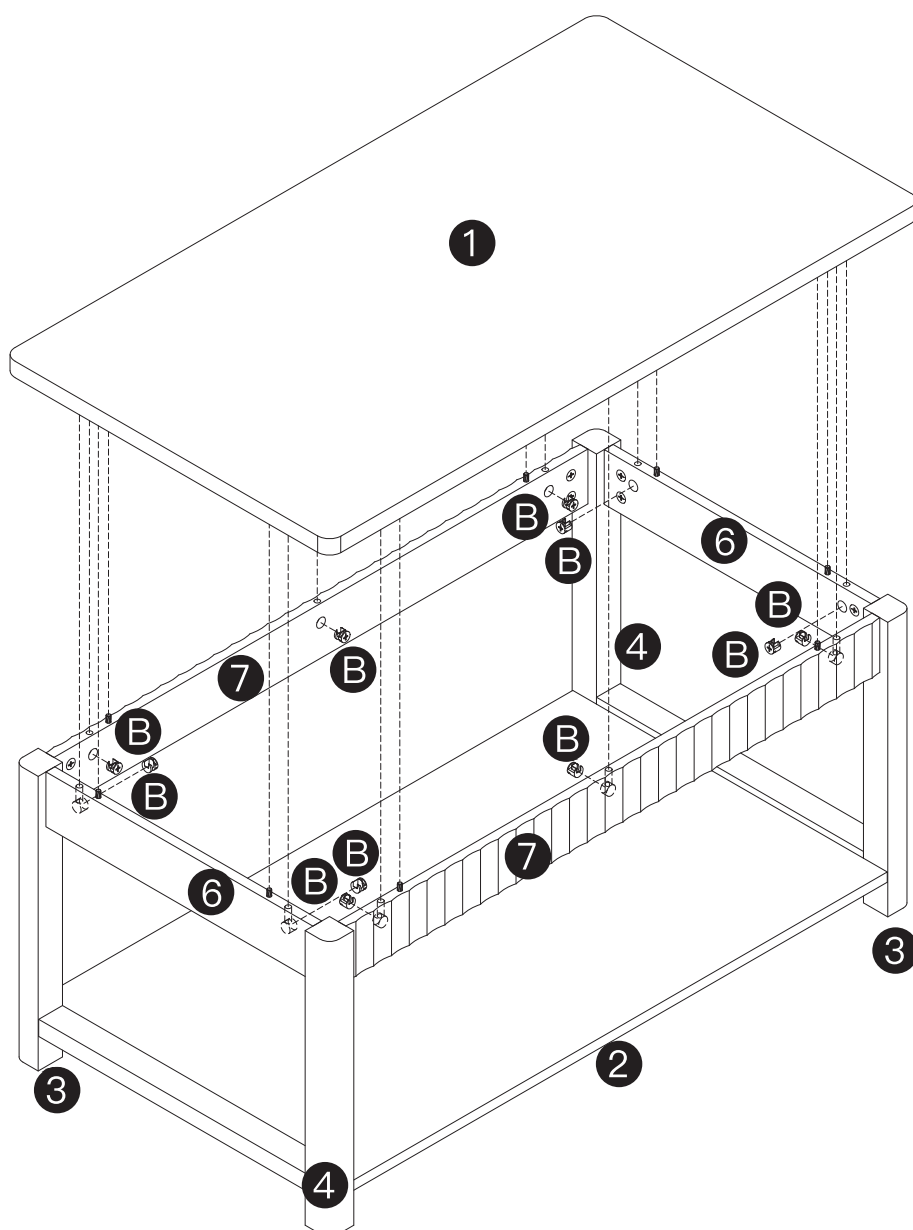


# STEP 13

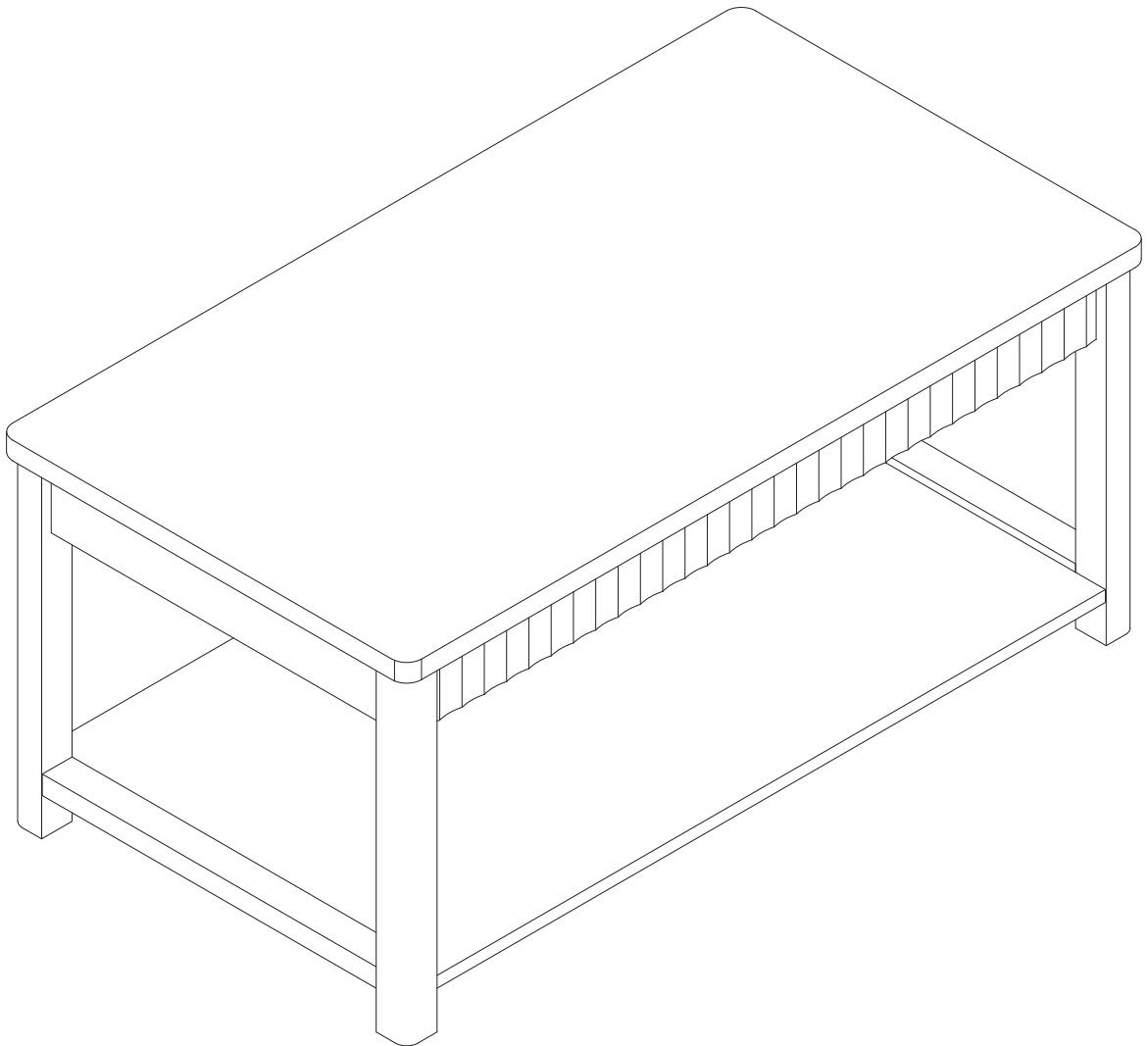
**B**



Ø15x9mm  
x10



# STEP 14



## After-Sale Support

**Dear Customer,**

Thank you for choosing to purchase our products! We attach great importance to your shopping experience and hope to ensure that you are satisfied with this purchase.

Should you have any questions, please contact us through the original purchase platform. We will reply your messages as soon as possible, please kindly wait for the response from our team.

Thank you again for your understanding and support! If you have any other questions, please feel free to contact us at any time.

Best Regards,  
After sales service team