
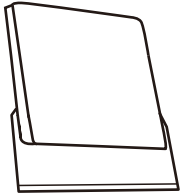
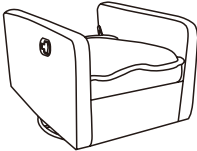
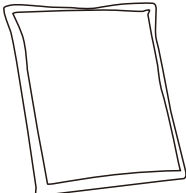



ASSEMBLE INSTRUCTION

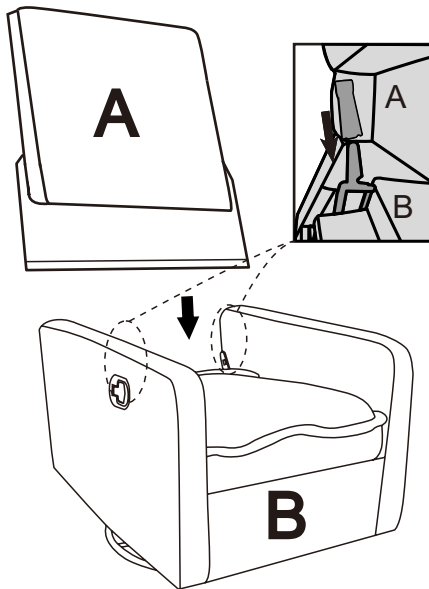
ITEM NO.	(2-1) 1x 		
PART LISTS			
NO.	DESCRIPTION	SKETCH	Q'TY
A	BACK		1
B	SEAT		1
C	Backrest		1

ASSEMBLE INSTRUCTION

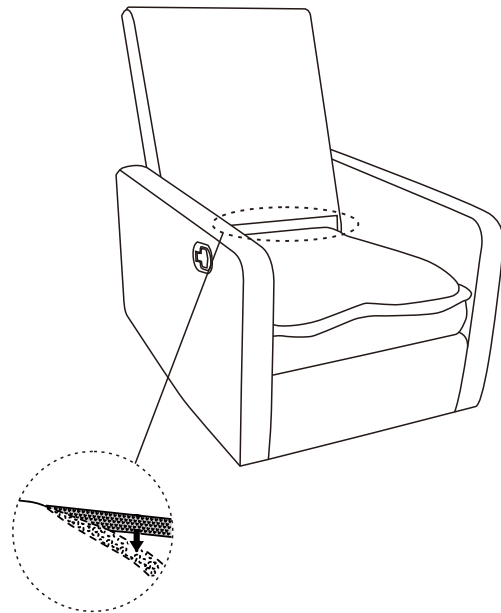
ITEM NO.

(2-2) 1x 

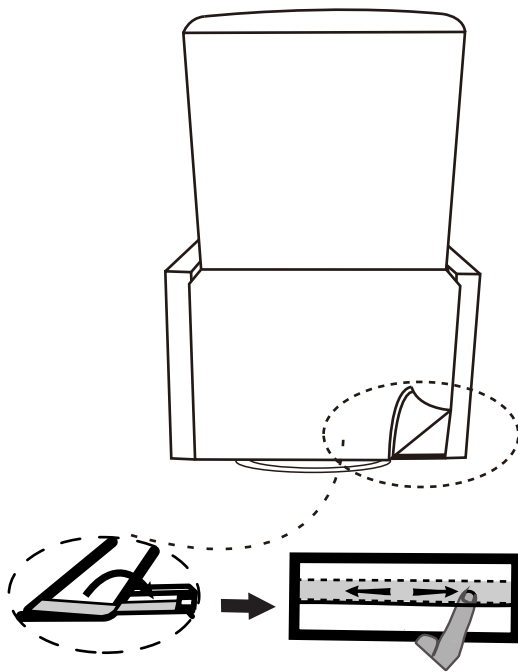
STEP1



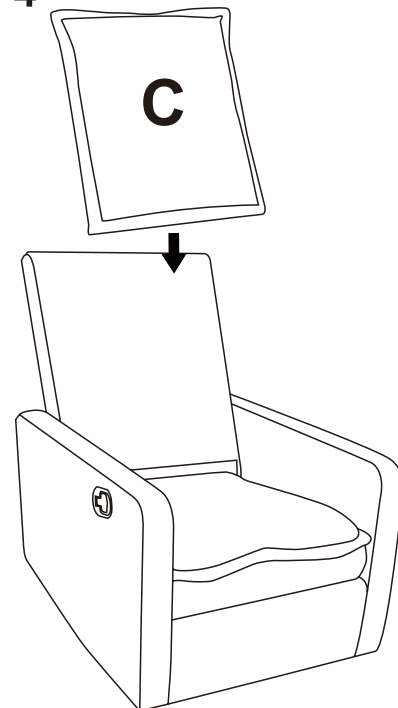
STEP2



STEP3




STEP4

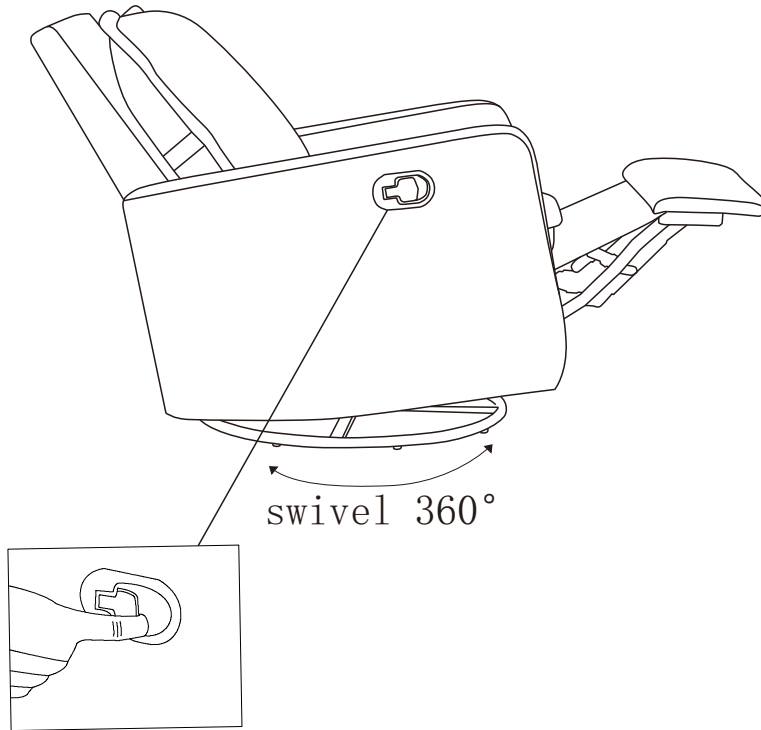


ASSEMBLE INSTRUCTION

ITEM NO.

(2-2) 1x 

STEP5



STEP6

