

17" FOLD-UP SHOWER SEAT

Cat. No.
6119-XX



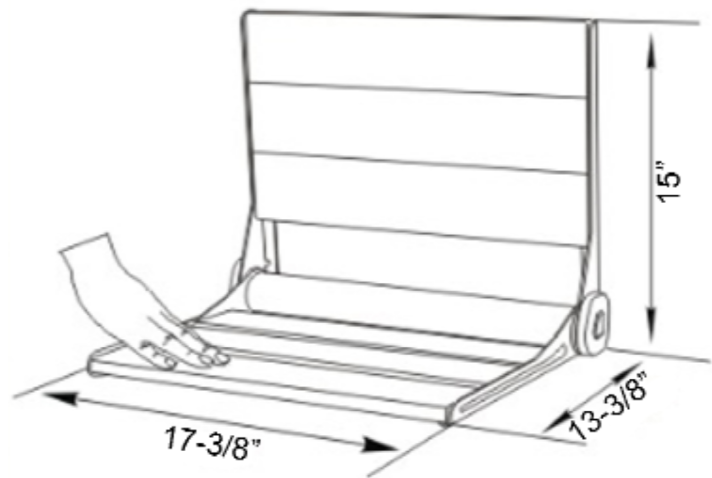
Features:

- ▶ Teak wood construction
- ▶ Wood is sourced in Burma
- ▶ Aluminum Frame
- ▶ Wall mounted design
- ▶ Folds up when not in use manually
- ▶ Plastic support bar guide included
- ▶ Maximum weight capacity is 331 lb.

Seat Width: 17-3/8"
Seat Depth: 13-3/8"
Wall Bracket Height: 15"

Finish:

6119 Aluminum
6119-MB Matte Black



Dimensions of fixture are nominal and may vary. Dimensions and specifications subject to change without notice.