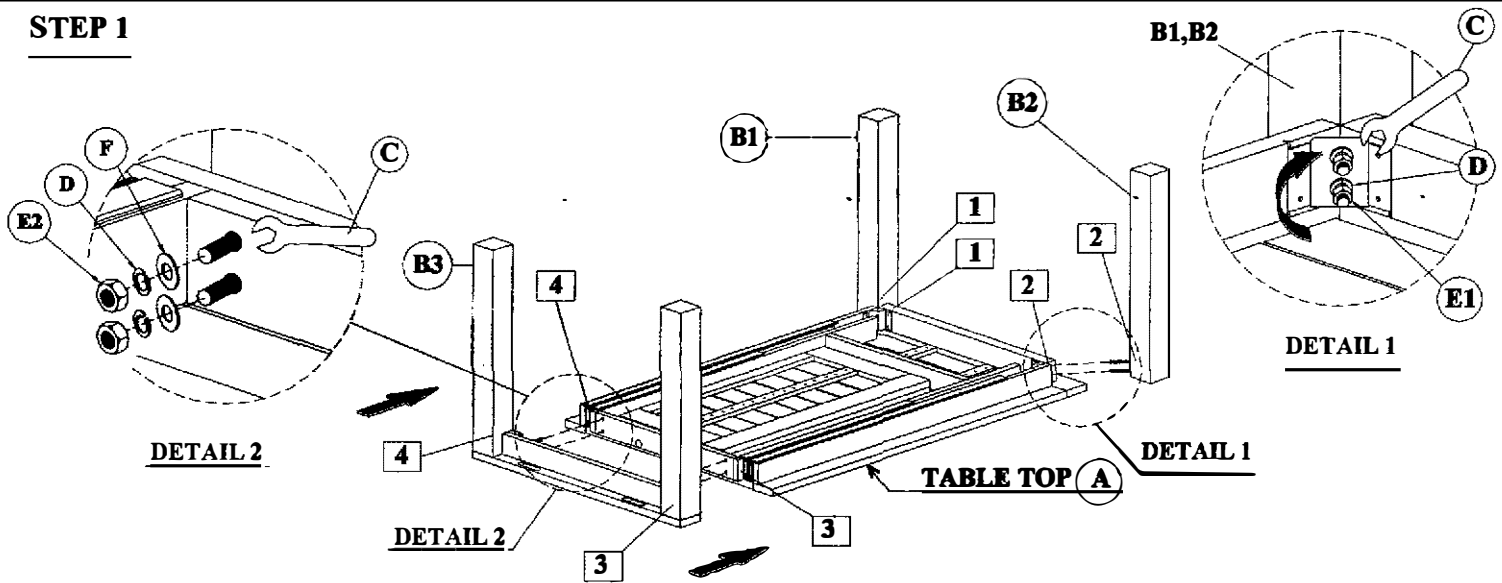


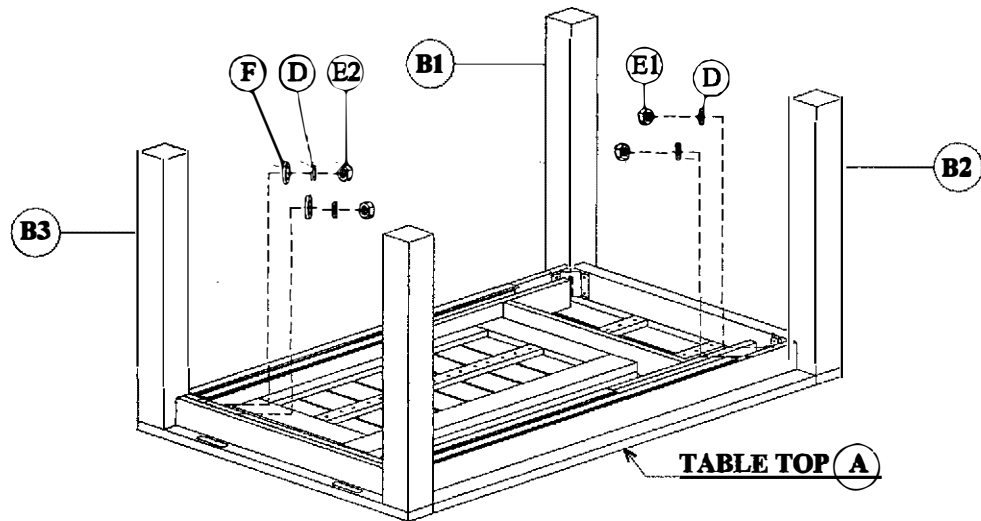
ASSEMBLY INSTRUCTIONS

TEAKWOOD RECTANGULAR EXTENSION TABLE (ATF48, ATF49)

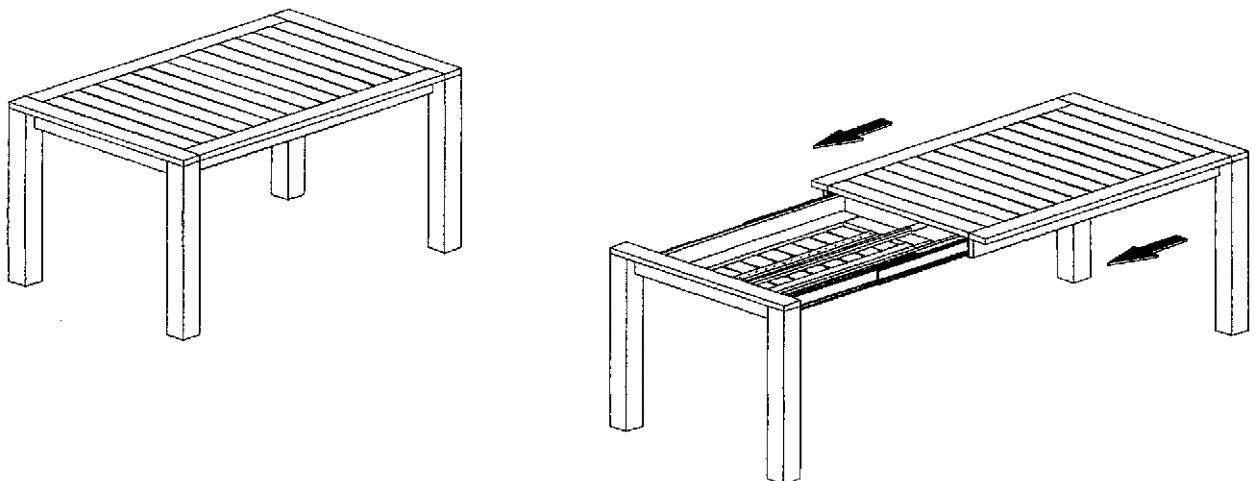
STEP 1



STEP 2



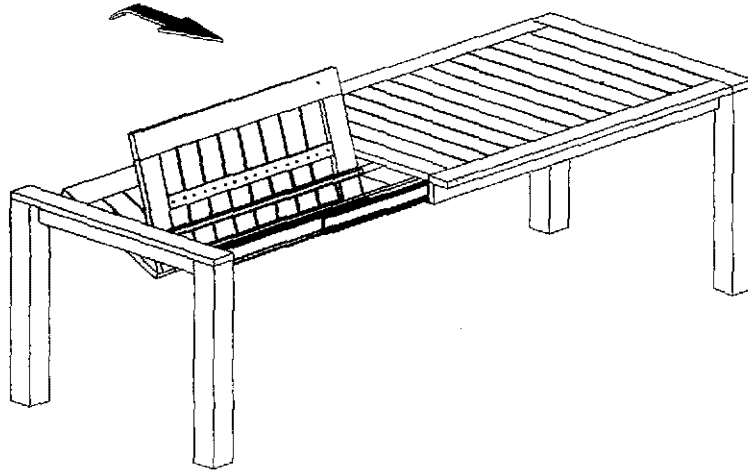
STEP 3



ASSEMBLY INSTRUCTIONS

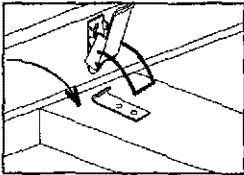
TEAKWOOD RECTANGULAR EXTENSION TABLE (ATF48, ATF49)

STEP 4

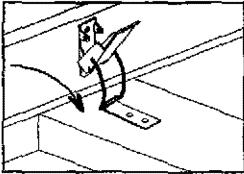


STEP 5

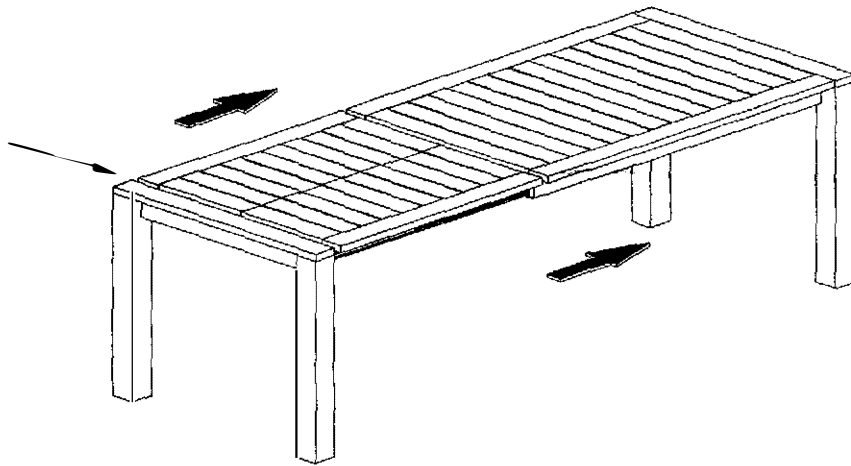
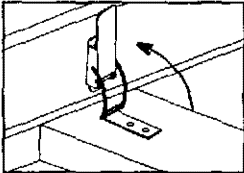
STEP 1.1



STEP 1.2

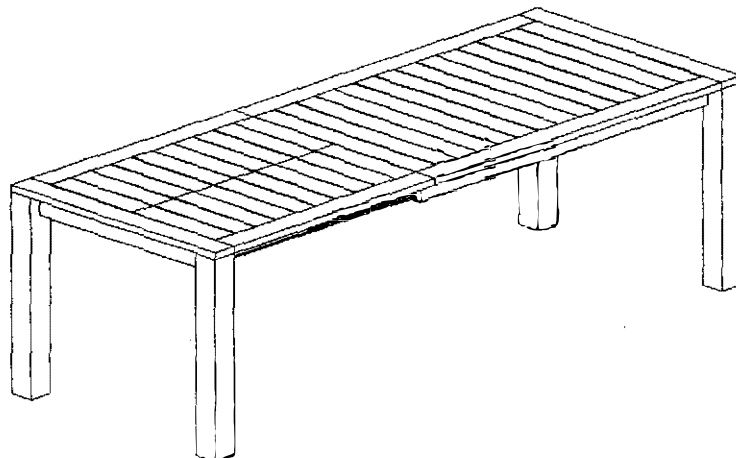


STEP 1.3



"LOCK"

STEP 6

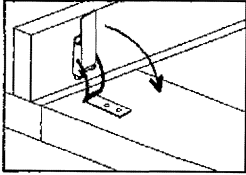


ASSEMBLY INSTRUCTIONS

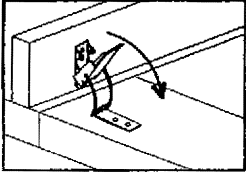
TEAKWOOD RECTANGULAR EXTENSION TABLE (ATF48, ATF49)

STEP 7

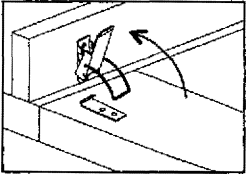
STEP 1.1



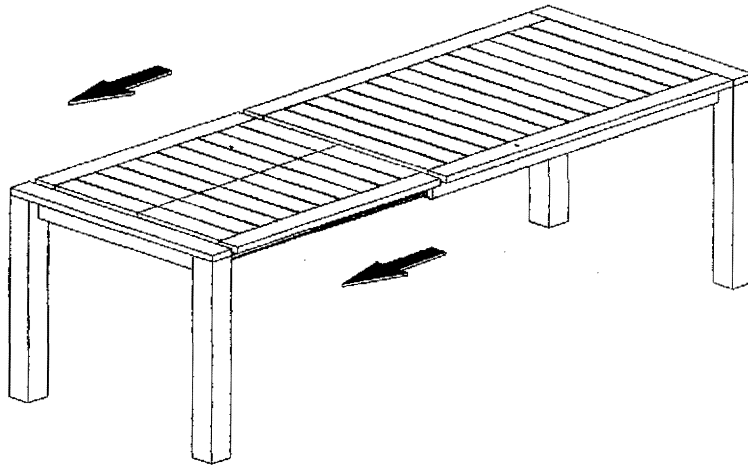
STEP 1.2



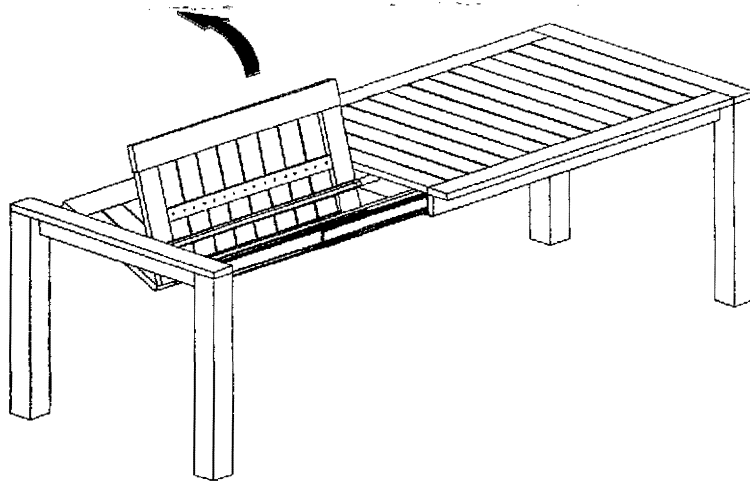
STEP 1.3



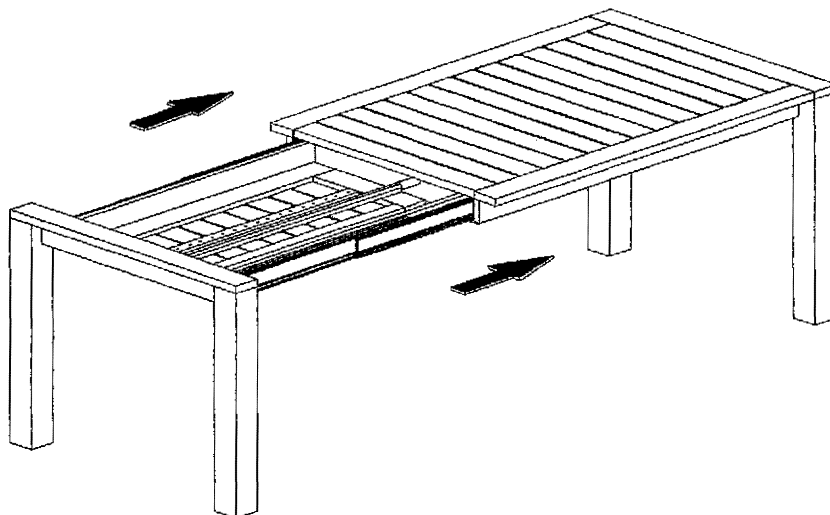
"UNLOCK"



STEP 8



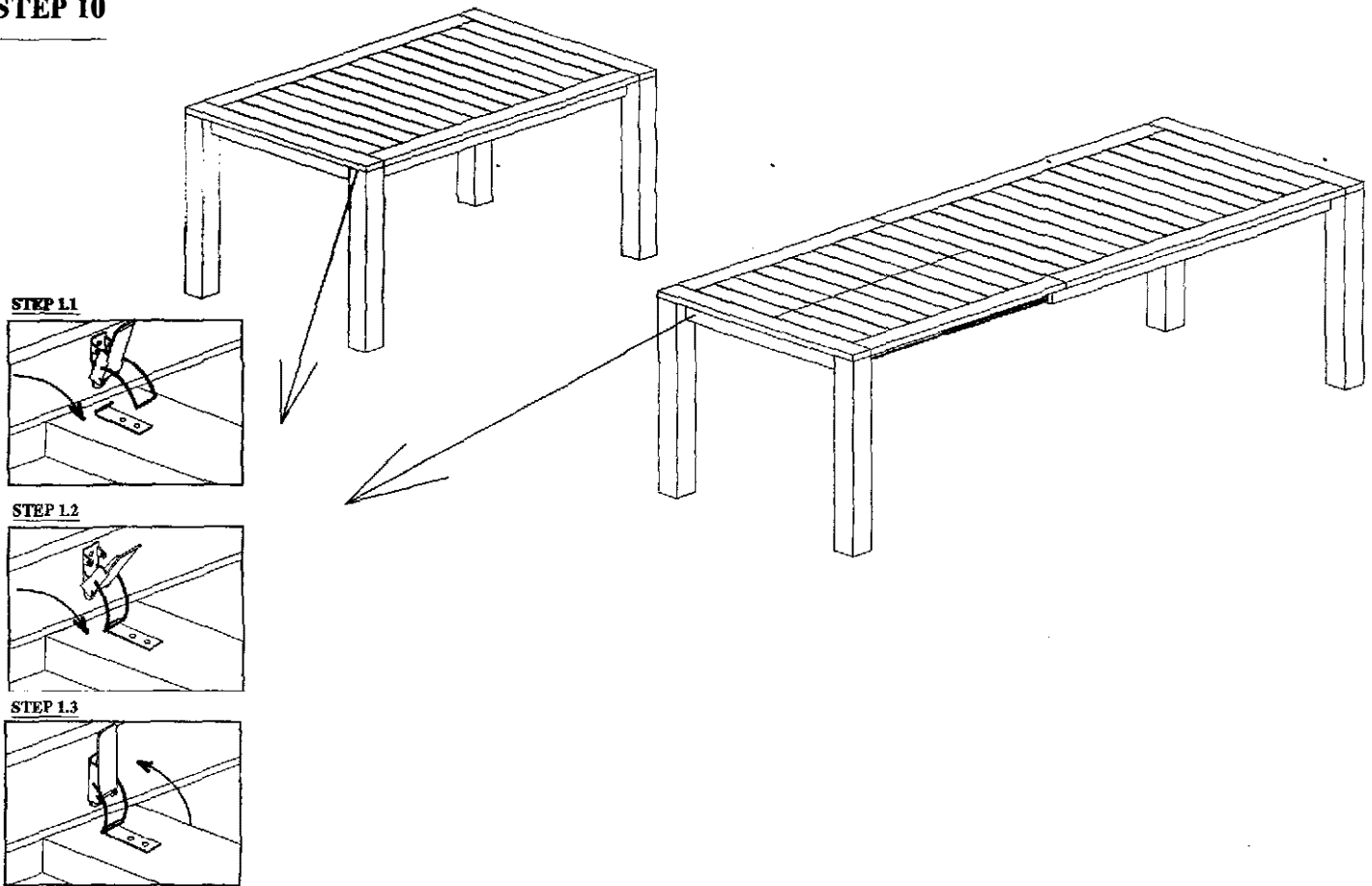
STEP 9

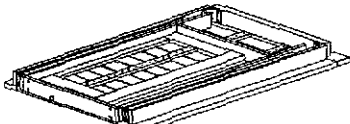
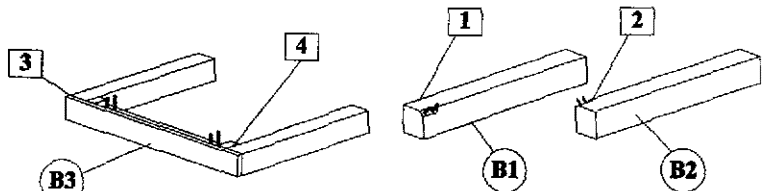







ASSEMBLY INSTRUCTIONS

TEAKWOOD RECTANGULAR EXTENSION TABLE (ATF48, ATF49)

STEP 10



NO.	PARTS.	QTY.
A	TABLE TOP 	1
B1,B2,B3	LEGS. 	3
C	WRENCH 	1
D	SPRING WASHER 	8
F	RING 	4
E1	STAINLESS STEEL NUT 	4
E2	GALVANIZED NUT 	4