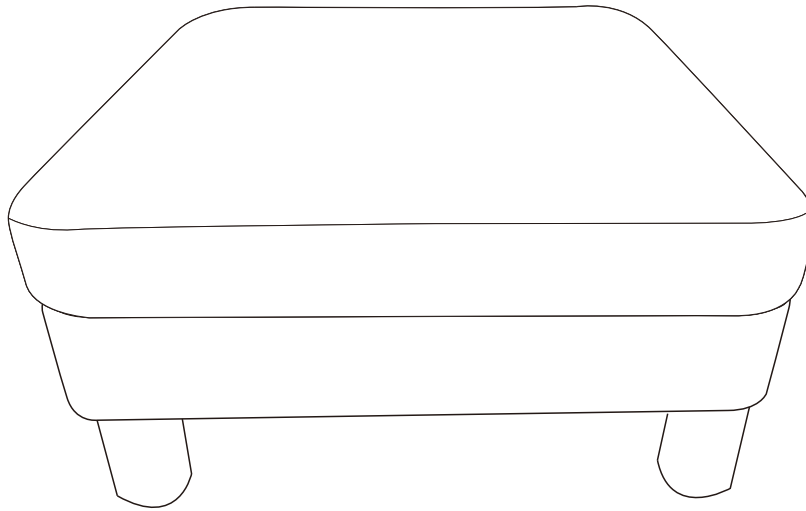


ASSEMBLY INSTRUCTION

Ottoman



Thank you for choosing our product.

To ensure safe and satisfactory use of this product, please carefully read the below instructions before hand.

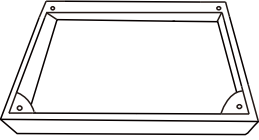


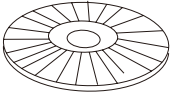
1. Our cushions are vacuum packed for convenient shipping. Please allow 2-3 days for them to fully expand to their original shape and for any wrinkles to disappear.

2. In the event that a part is damaged or missing, no need to return the product, we will gladly help and ship your replacement parts free of charge.

Assembly Instructions

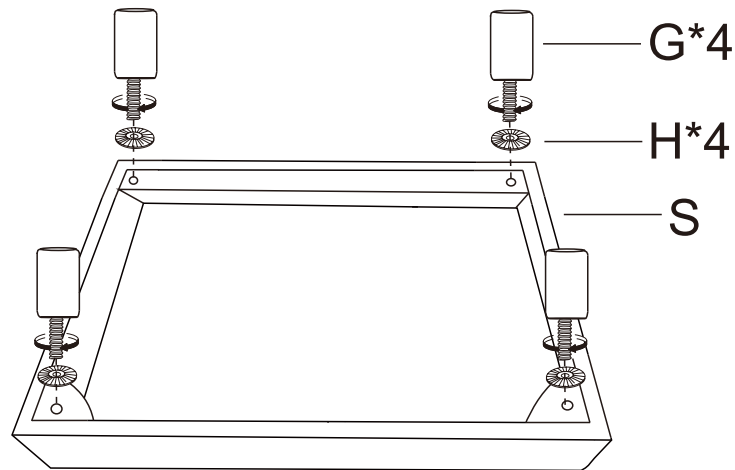
OTTOMAN

Parts List

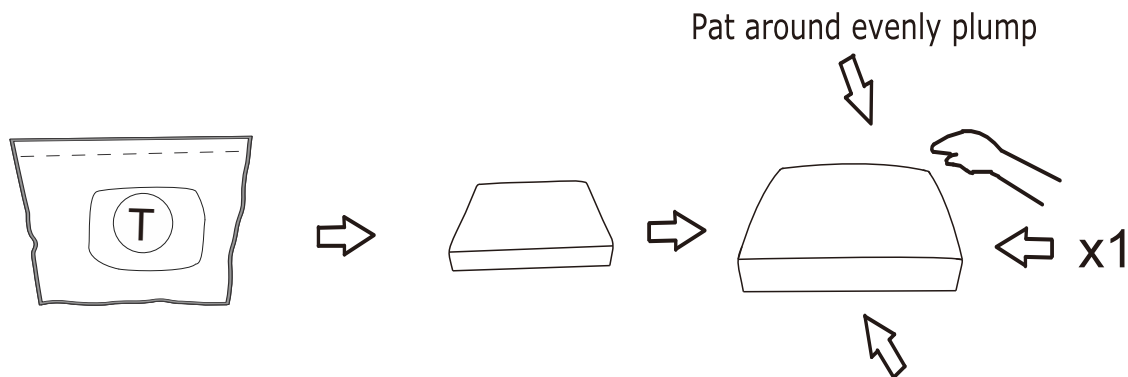
<p>S</p>  <p>Seat frame*1</p>	<p>T</p>  <p>Seat cushion*1</p>	<p>G</p>  <p>Leg*4</p>	<p>H</p>  <p>Gasket*4</p>
---	---	---	---

Note: Please retain all boxes until you are certain that your product isn't damaged and that you do not wish to return it. Disposal of boxes may prevent our ability to resolve your request.

- ① Assemble Legs (G) to the Seat frame(S)with Gasket (H).



- ② The cushion is packed by vacuum compression. After cutting the package, it rebounds quickly within 4 hours. If the fabric has wrinkles, it will basically disappear after standing for 72 hours.



- ③ Put Seat cushion (T) to the Seat frame. You can enjoy your leisure time on the ottoman now.

