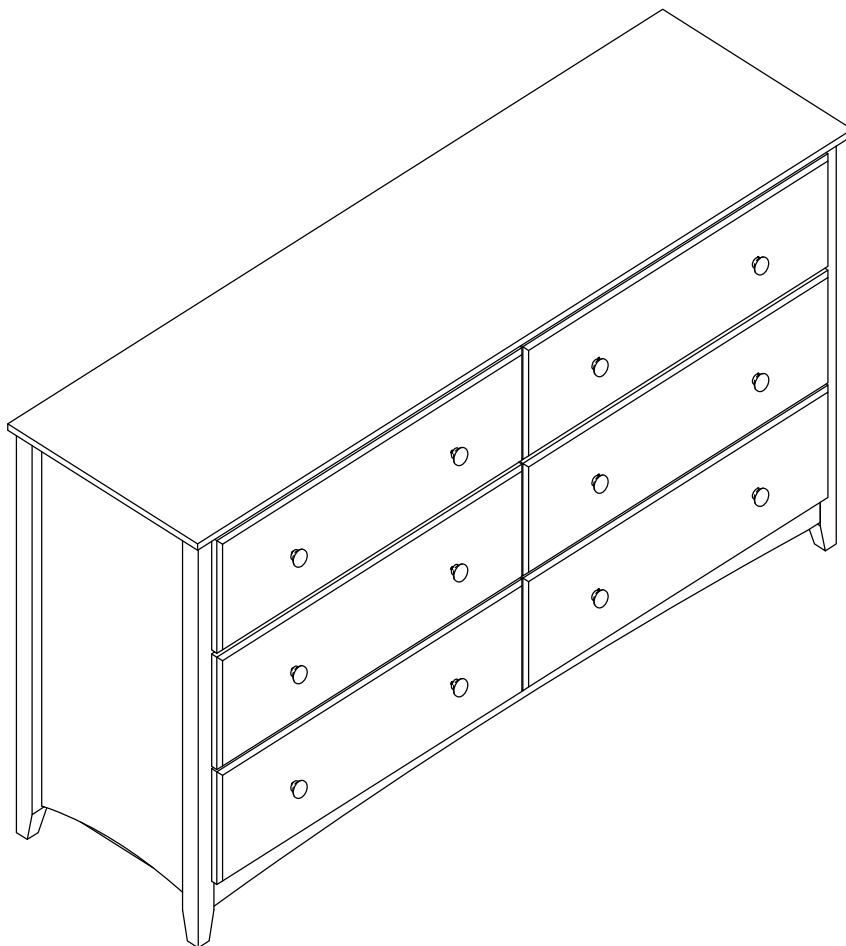


# FURNITURE / INSTRUCTIONS



①		$\Phi 5/32'' \times 1.3/16''$	x58
②		$\Phi 5/16'' \times 1.3/16''$	x42
③		$\Phi 5/16'' \times 2''$	x2
④		$\Phi 15/64'' \times 1.3/16''$	x12
⑤		$\Phi 5/16'' \times 3/4''$	x4

**\* Extra screw for your commitment.**

**\* Please assemble flat or nice service.**

MADE IN CHINA

⑥		FLAT WASHER $\Phi 1/4''$	x14
⑦		SPRING WASHER $\Phi 1/4''$	x14
⑧		BOLT $\Phi 1/4'' \times 1''$	x14
⑨		$\Phi 5/32'' \times 23/64''$	x12
⑩		GLUE	x1
⑪		SCREWDRIVER	x1
⑫		TIPPING RESTRAINT	x2
⑬		Allen Key	x1
⑭		CROSS SCREWDRIVER	x1
⑮		HANDLE	x12
⑯		SCREW	x12

**\* Extra screw for your commitment.**

**\* Please assemble flat or nice service.**

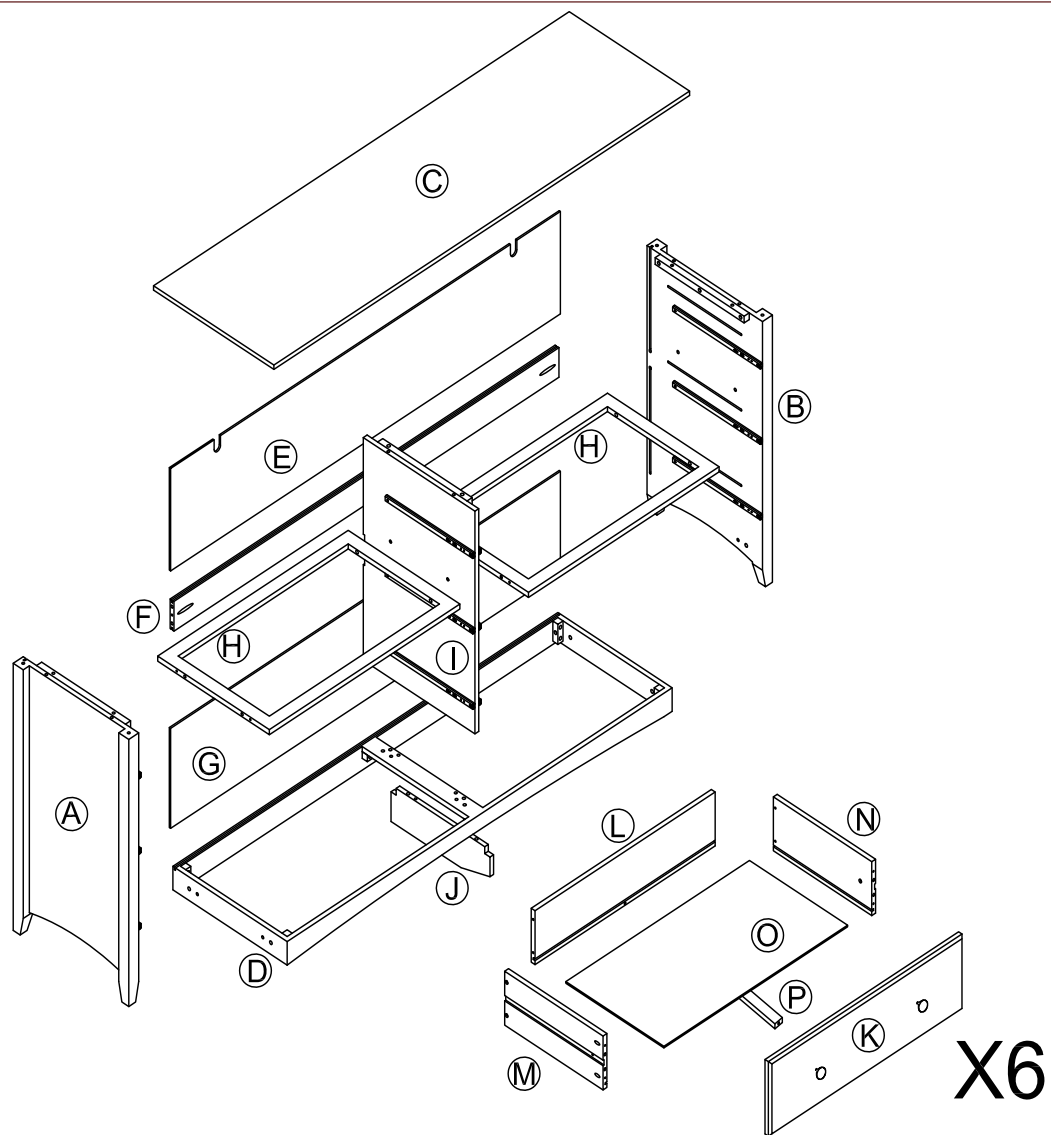
MADE IN CHINA

# **"Congratulations on Your Recent Purchase! Here Are Some Tips Before You Begin Assembling:"**

"Preparing for your exciting new purchase? Be sure to set yourself up for a smooth assembly process by following these steps:"

- First, we recommend using a rug or any large clean surface as your workspace to provide a sturdy base for assembly.
- Next, it is important to separate all components and identify each part by their designated letters. This will make it easier to follow the assembly instructions and ensure all pieces are placed correctly.
- Additionally, on a clean surface separate and identify all screws lengths and hardware. You can use the assembly instructions as a guide and place the screws on top of the actual size pictured. This will save you time and confusion during the assembly process.
- Finally, we highly encourage you to carefully read through the assembly instructions and start from step one. Follow each step diligently until your new purchase is fully assembled. However, if you have any questions or need further assistance, please do not hesitate to reach out to us via email.

**Thank you again for choosing our product.  
We wish you all the best and happy assembling!**



Parts list		
A	Left side panel	1 pc
B	Right side panel	1 pc
C	Top panel	1 pc
D	Bottom frame	1 pc
E	Upper back panel	1 pc
F	Back center support	1 pc
G	Below back panel	1 pc
H	Middle frame	2 pcs
I	Middle vertical panel	1 pc

Parts list		
J	Kick plate	1pc
K	Drawer fronts	6pcs
L	Drawer back panels	6pcs
M	Left drawer side panels	6pcs
N	Right drawer side panels	6pcs
O	Drawer bottom panels	6pcs
P	Drawer bottom support	6pcs

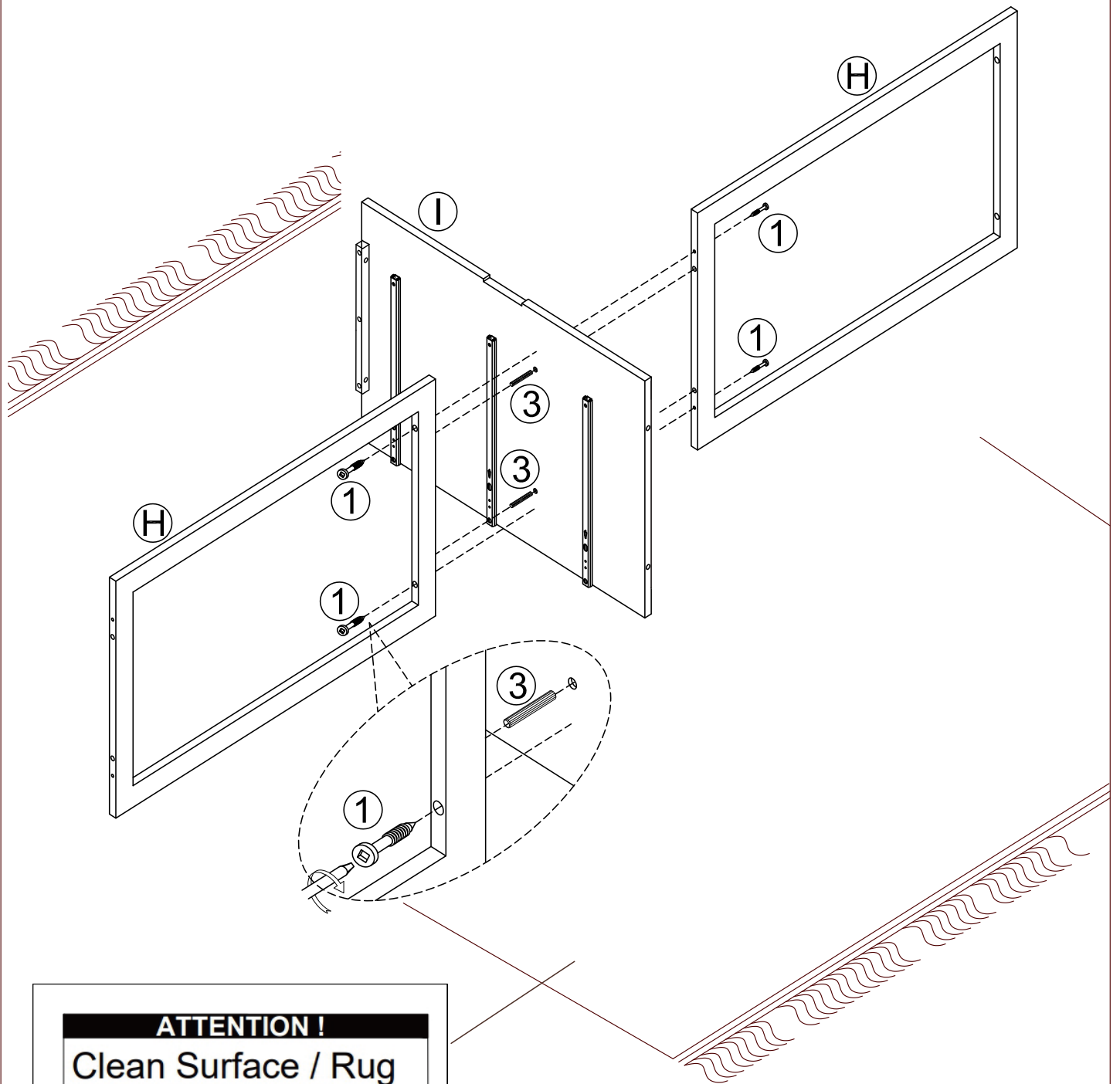
**\*EACH PART IS LABELLED ACCORDING TO THE PARTS LIST\***






**Before starting assembly  
please verify if all parts and  
hardware are included**

MADE IN CHINA

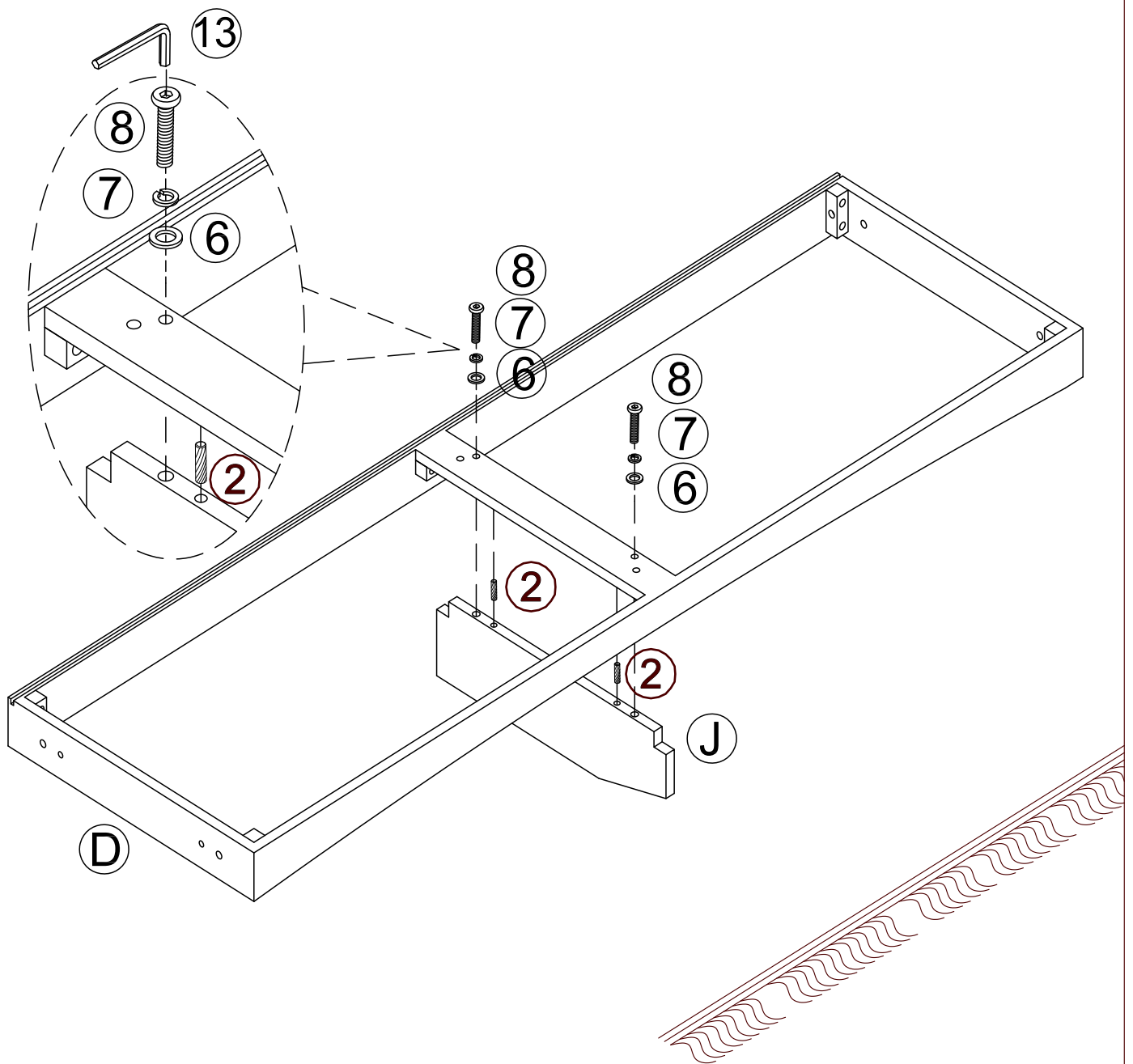
# STEP 1








**ATTENTION !**  
Clean Surface / Rug  
before start assemble

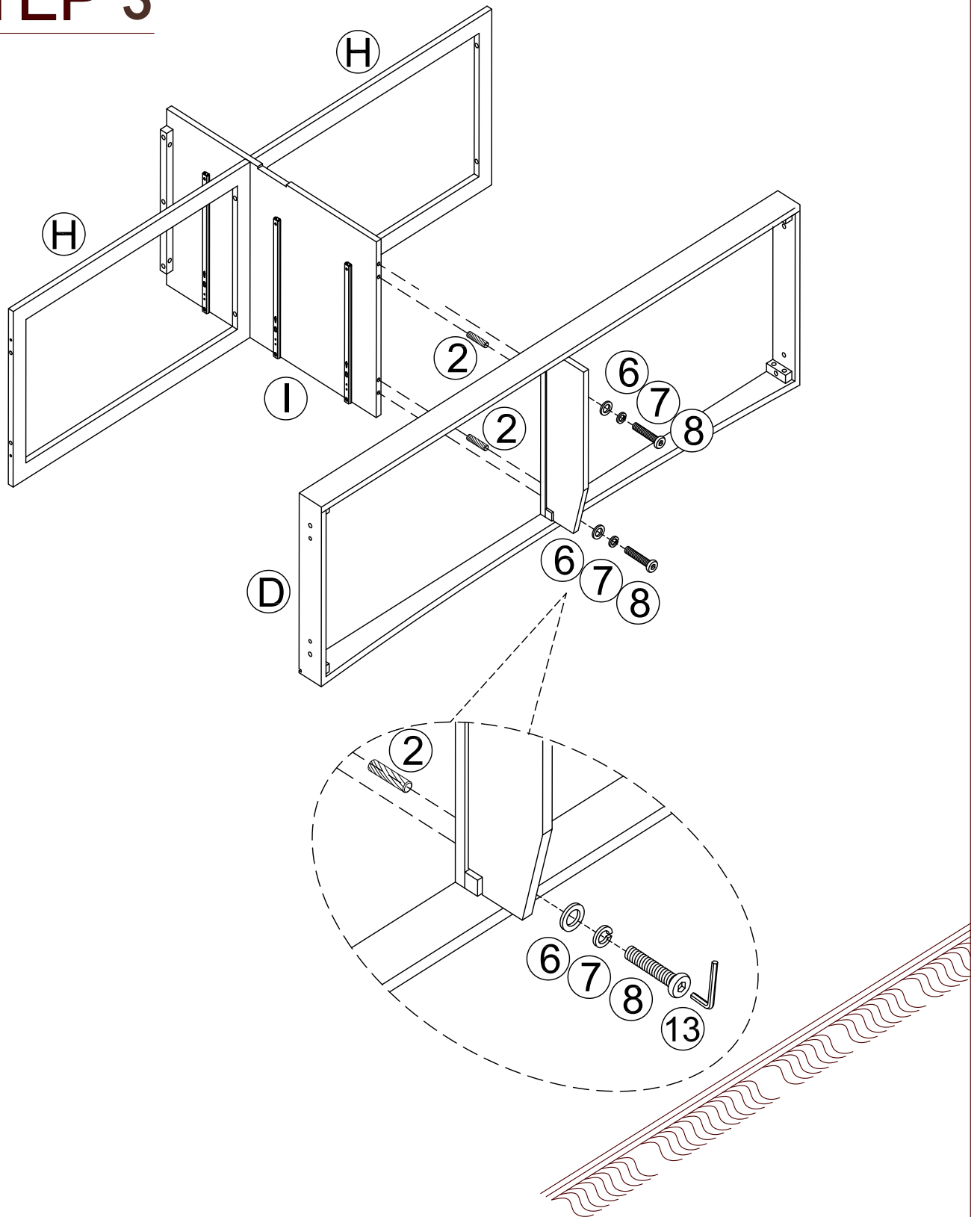
⑪		SCREWDRIVER	x1
③		$\Phi$ 5/16" X 2"	x2
①		$\Phi$ 5/32" X 1.3/16"	x4






# STEP 2



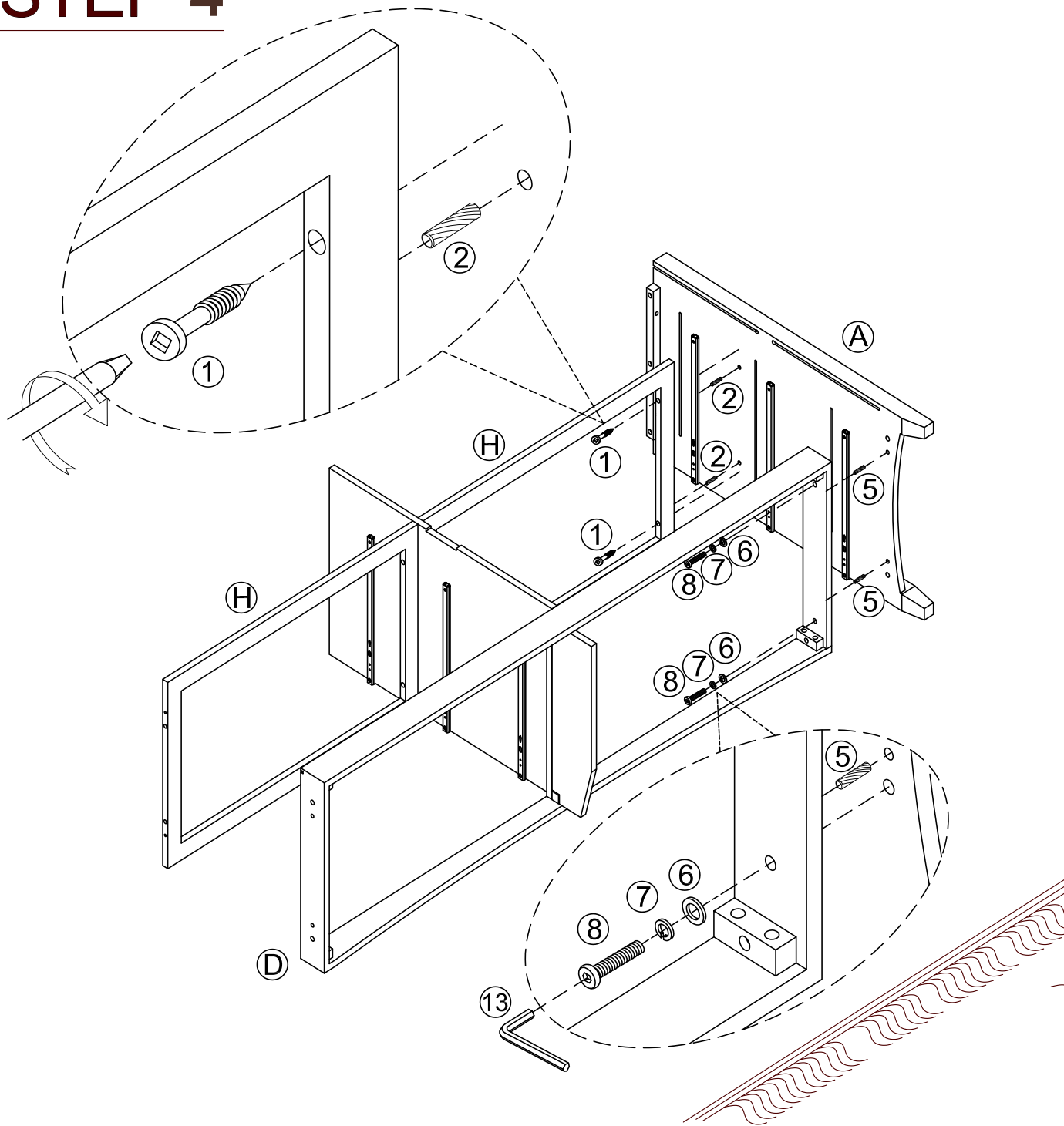
⑬		Allen Key	x1
②		$\Phi$ 5/16" x1.3/16	x2
⑧		$\Phi$ 1/4 x1.1/2"	x2
⑦		$\Phi$ 1/4"	x2
⑥		$\Phi$ 1/4"x5/8"	x2









# STEP 3



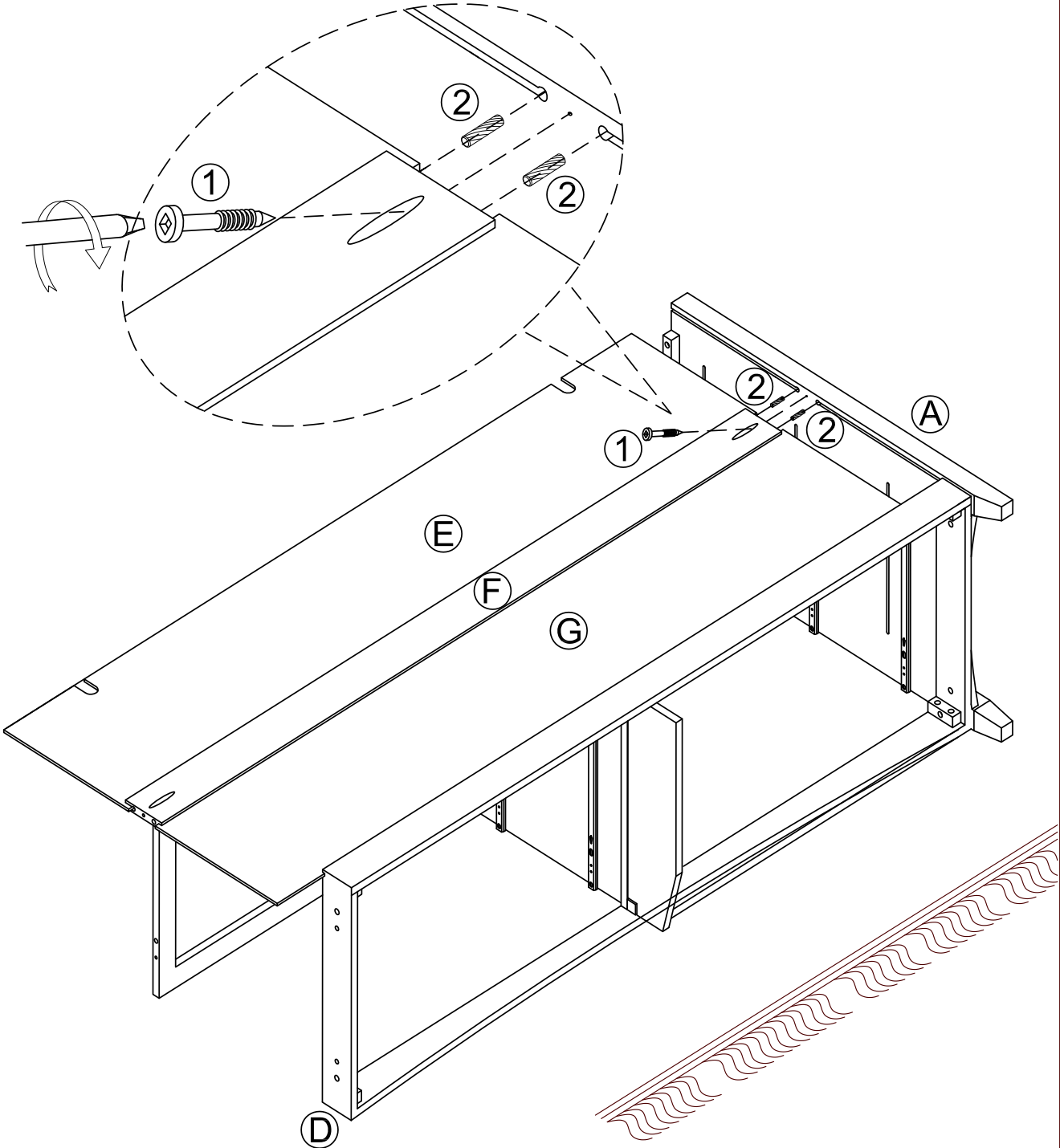
⑬		Allen Key	x1
②		$\Phi$ 5/16" *1.3/16"	x2
⑧		$\Phi$ 1/4 X 1.1/2"	x2
⑦		$\Phi$ 1/4"	x2
⑥		$\Phi$ 1/4*5/8"	x2

# STEP 4



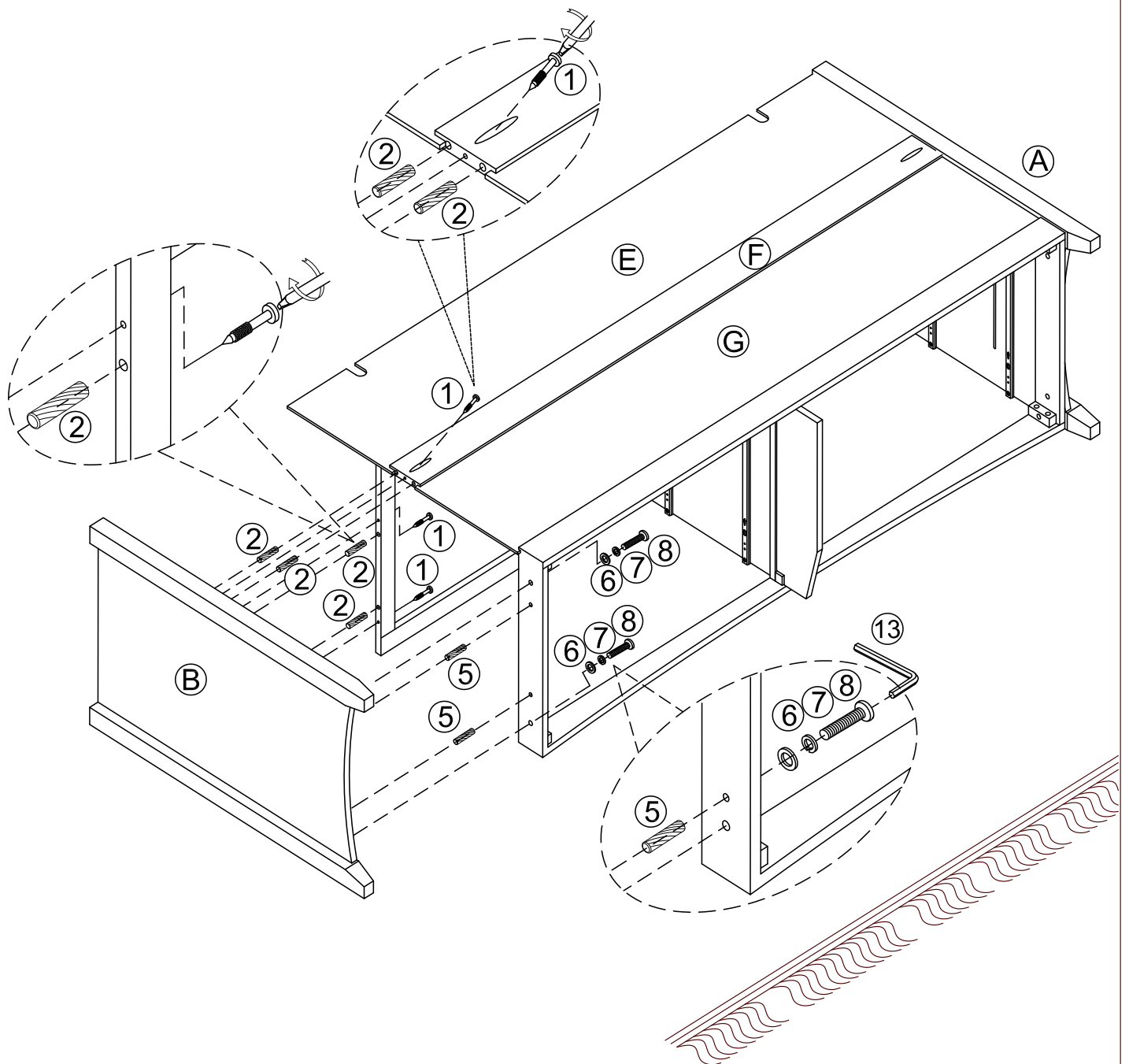
⑪		SCREWDRIVER	x1
①		Φ5/32" X 1 3/16"	x2
⑤		Φ5/16" X 3/4"	x2
⑬		Allen Key	x1
②		Φ5/16" X 1.3/16"	x2
⑥		Φ 1/4" X 5/8"	x2
⑦		Φ 1/4"	x2
⑧		Φ 1/4" X 1. 1/2"	x2

# STEP 5



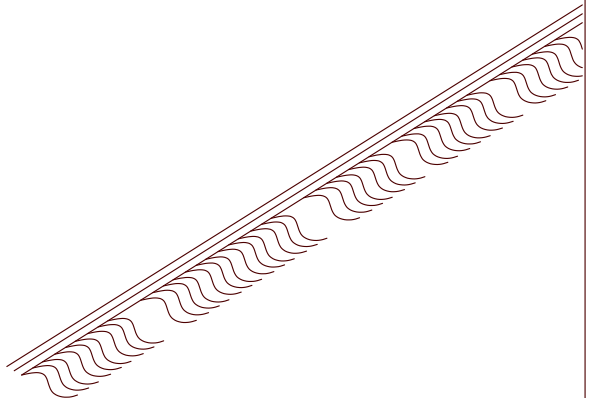
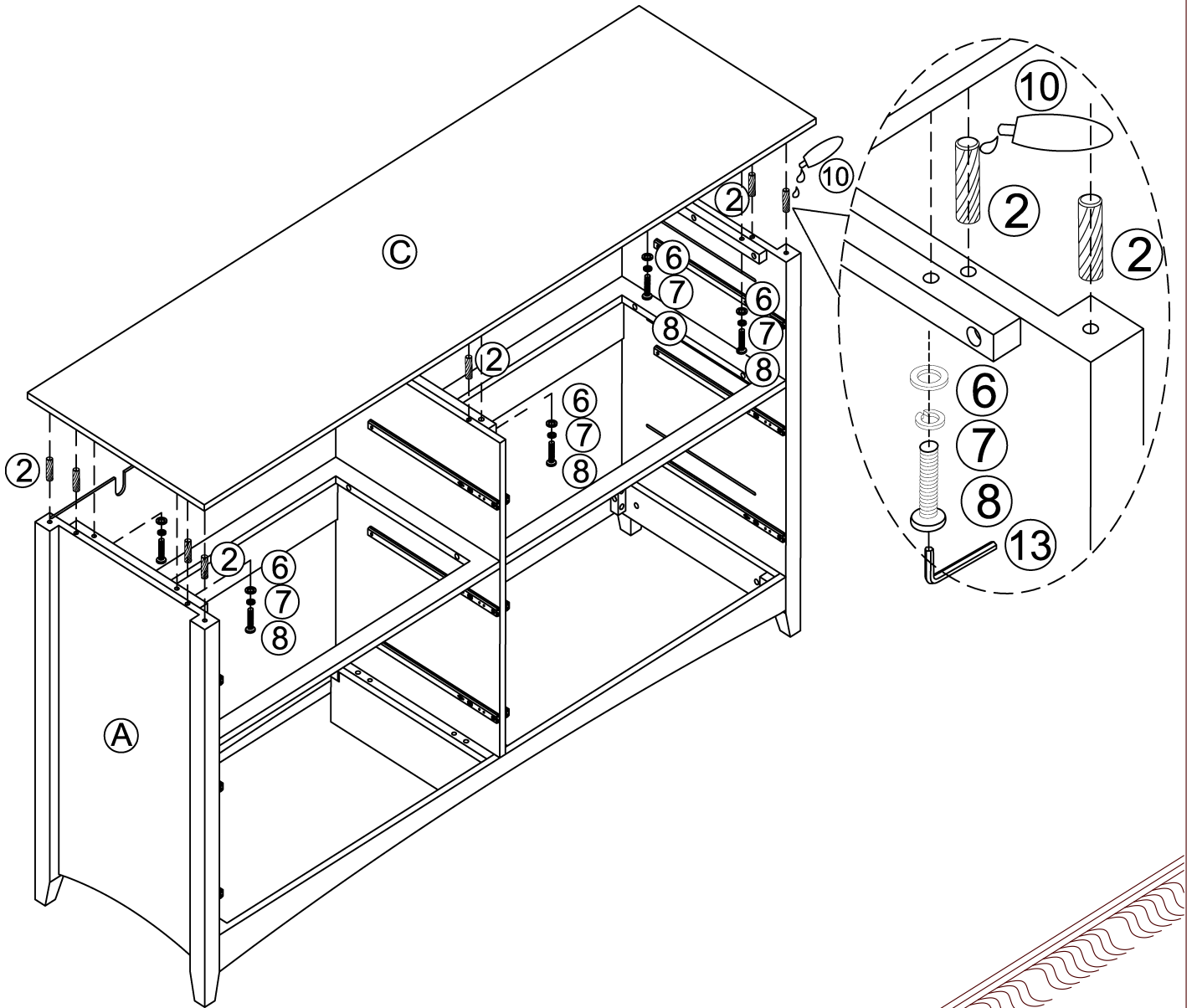
②		Φ5/16 X1 3/16	x2
①①		SCREWDRIVER	x1
①		Φ5/32" X 1 3/16"	x1

# STEP 6



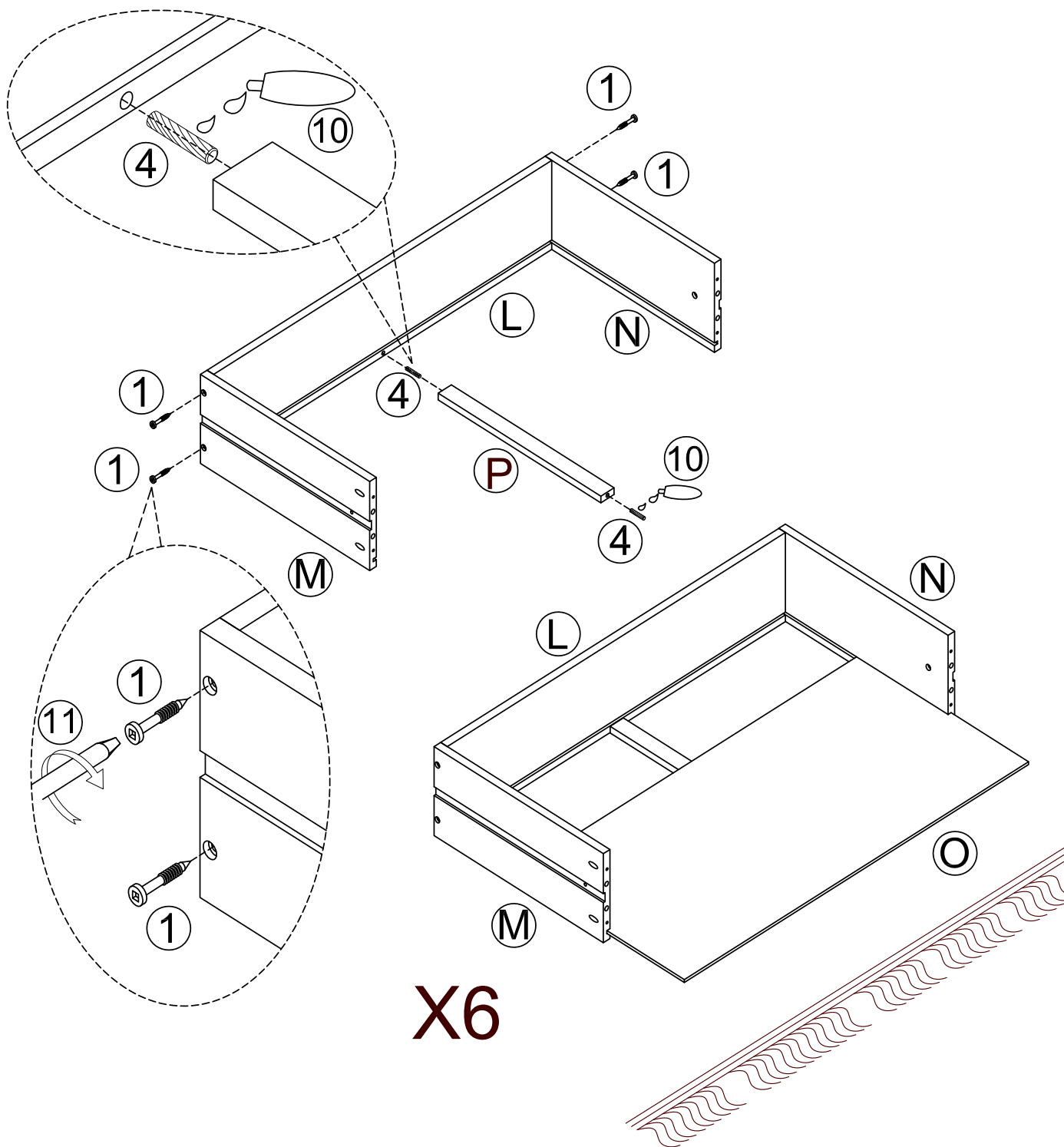
⑤		Φ5/16 X 3/4	x2
⑪		SCREWDRIVER	x1
①		Φ5/32" X 1 3/16"	x3
⑬		Allen Key	x1
②		Φ5/16" X 1.3/16"	x4
⑥		Φ 1/4" X 5/8"	x2
⑦		Φ 1/4"	x2
⑧		Φ 1/4" X 1. 1/2"	x2

# STEP 7







⑩		GLUE	x1
⑬		Allen Key	x1
②		Φ5/16"X1.3/16"	x6
⑥		Φ 1/4" X5/8"	x6
⑦		Φ 1/4"	x6
⑧		Φ 1/4" X1. 1/2"	x6

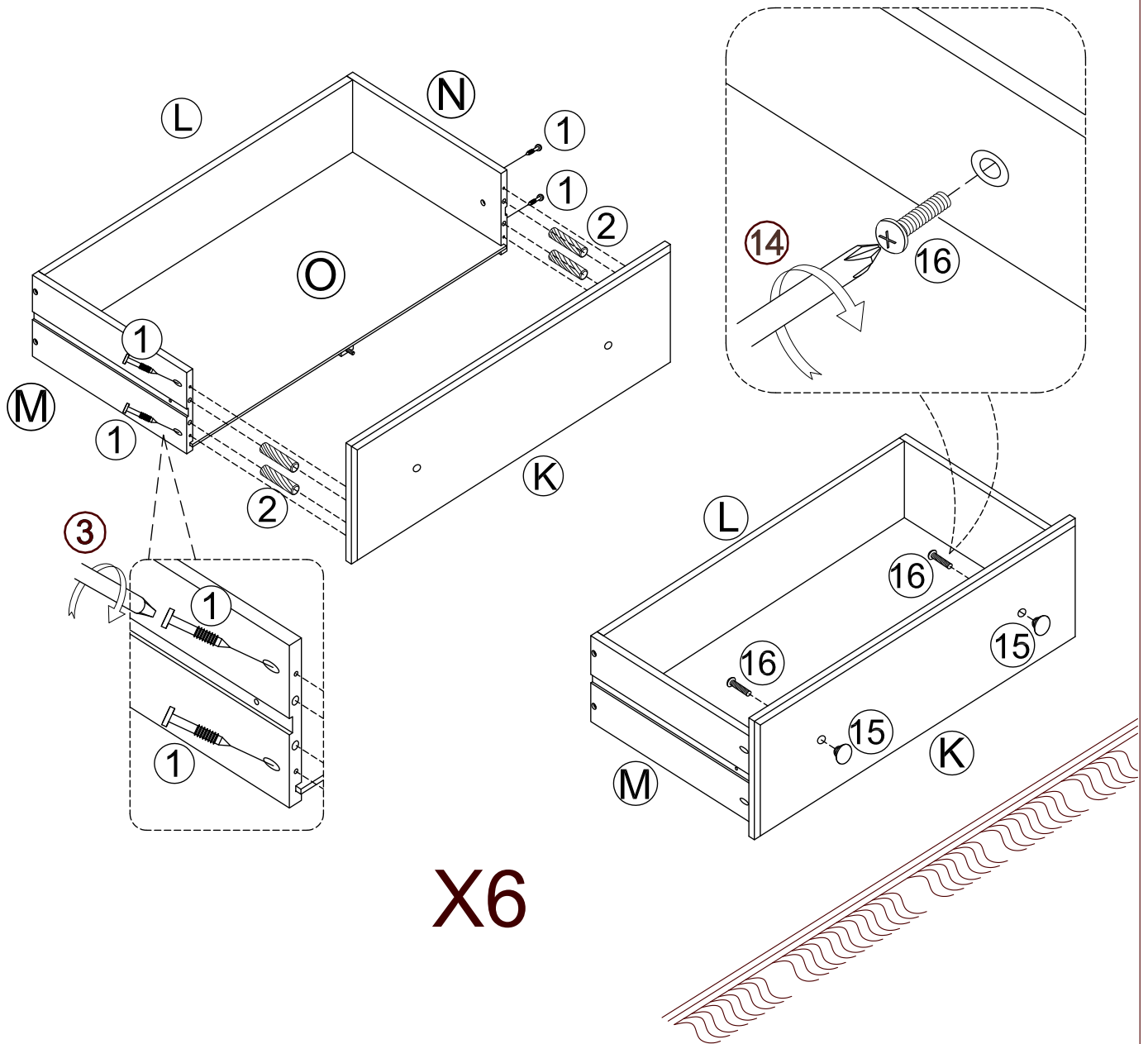
# STEP 8



X6

⑤		GLUE	x1
③		SCREWDRIVER	x 1
①		Φ5/32" X 1 .3/16"	x24
④		Φ15/64" X 1 .3/16"	x 12

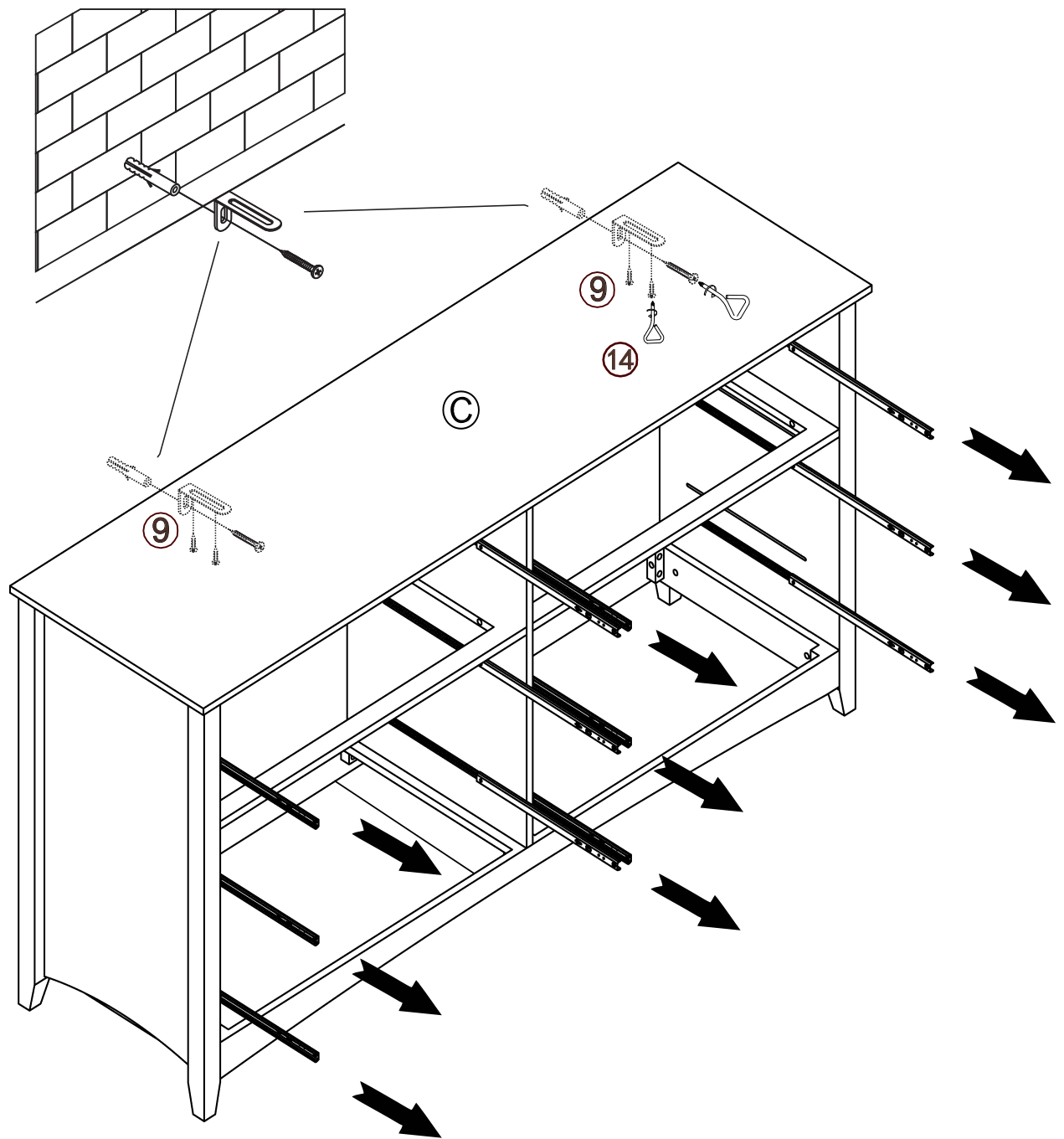
# STEP 9



X6

⑭		CROSS SCREWDRIVER	x1
⑮		HANDLE	x12
⑯		SCREW	x12
③		SCREWDRIVER	x 1
①		Φ5/32" X 1 .3/16"	x24
②		Φ5/16" X 1 3/16"	x24

# STEP 10

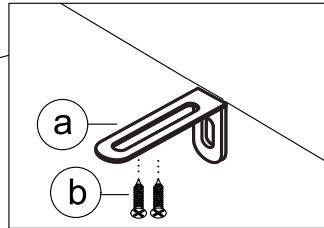
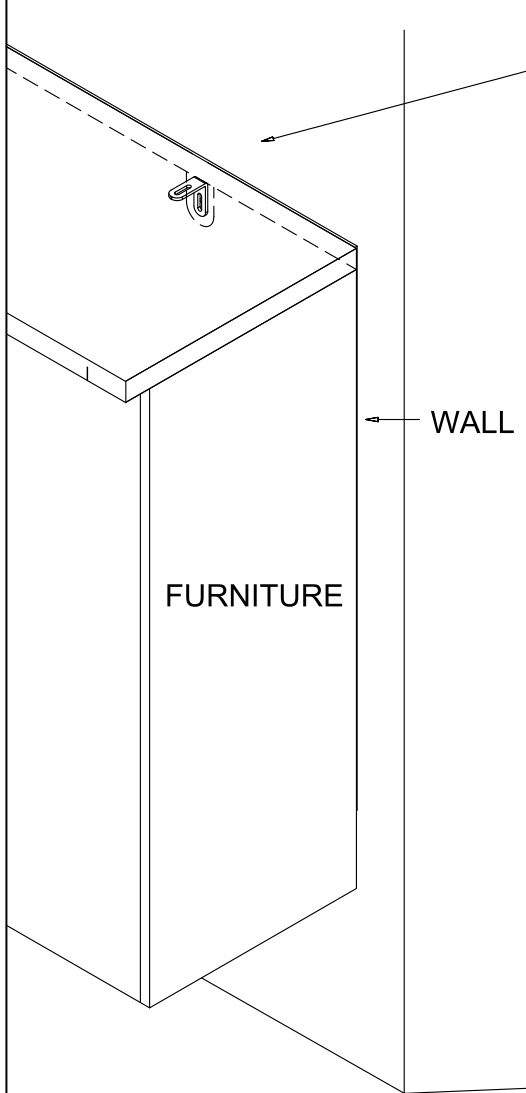


⑭		CROSS SCREWDRIVER	x1
⑨		TIPPING RESTRAINT	x2

# INSTALLATION OF TIPOVER RESTRAINT KIT

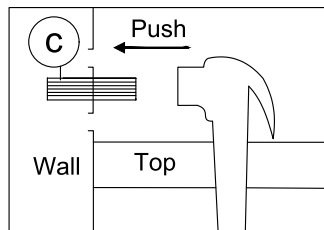
The Tipover Restraint Kit is highly recommended for this piece of furniture.

**(Please take this into extra consideration around young toddlers and children)**



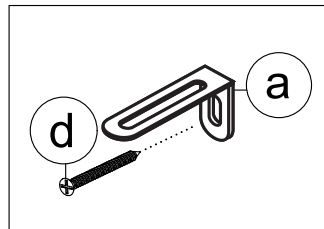
## STEP 1:

- Attach the mounting bracket (a) to the bottom top panel near the edge of the side of the unit.
- Screw (b) through the two holes of (a).



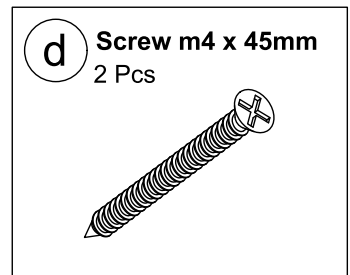
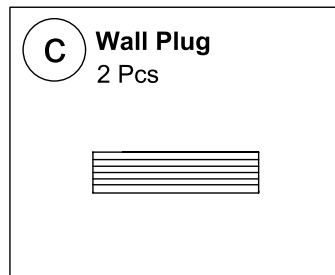
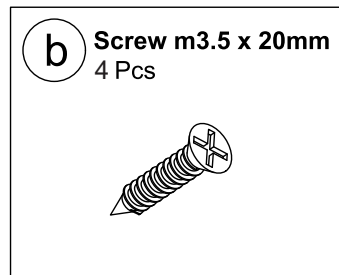
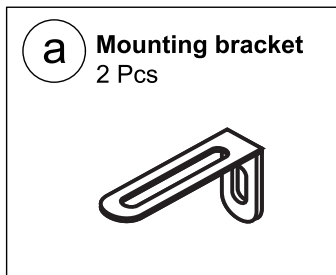
## STEP 2:

- Insert the wall plug (d) into the wall behind the unit.

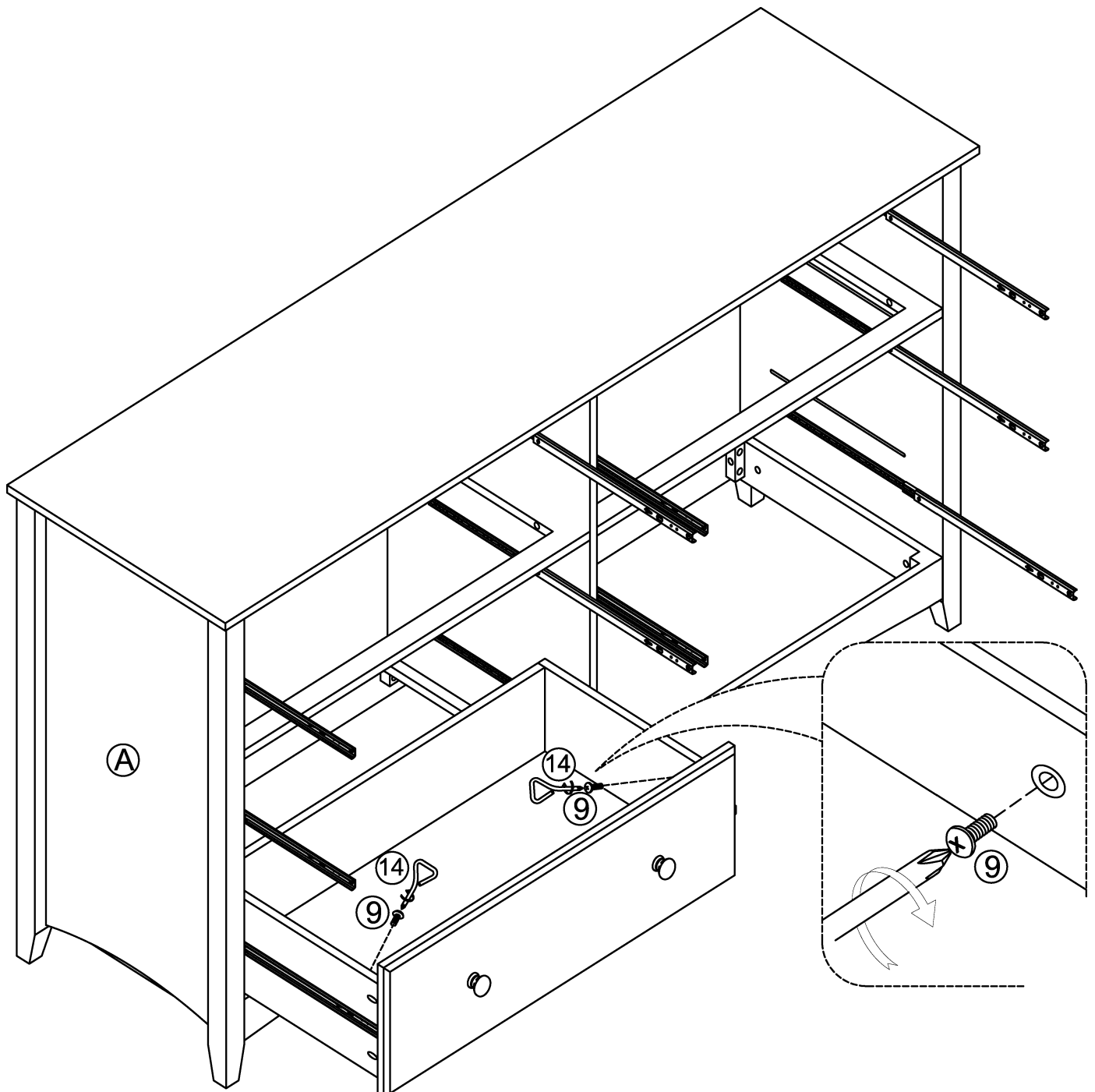


## STEP 3:



- Attach to the mounting bracket (a) to the wall plug (c) through the hole by using (d).



# STEP 11



Insert drawers **X6**

⑭		CROSS SCREWDRIVER	x1
⑨		Φ 5/32" x23/64"	12

# STEP 12

