



Parker Living
A Division of Parker House

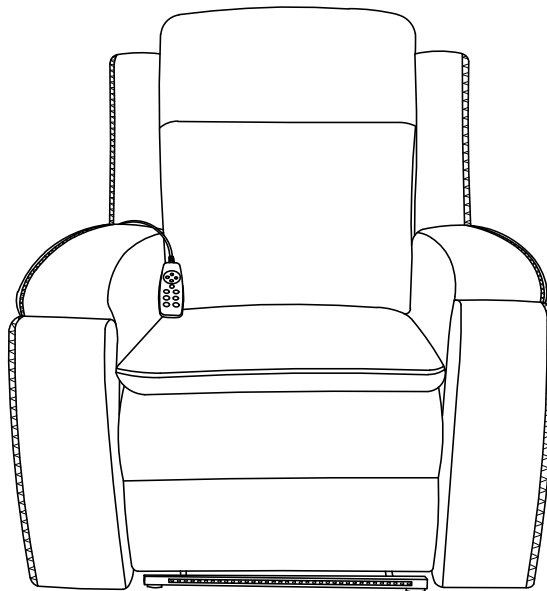
Assembly Instructions

Armstrong Recliner

BEFORE ASSEMBLY

Thank you for purchasing this quality product. This product has been designed for easy assembly and constructed for durability. Please take the time to read and follow the assembly instructions carefully.

Power Recliner with Heat, Massage and Rocker



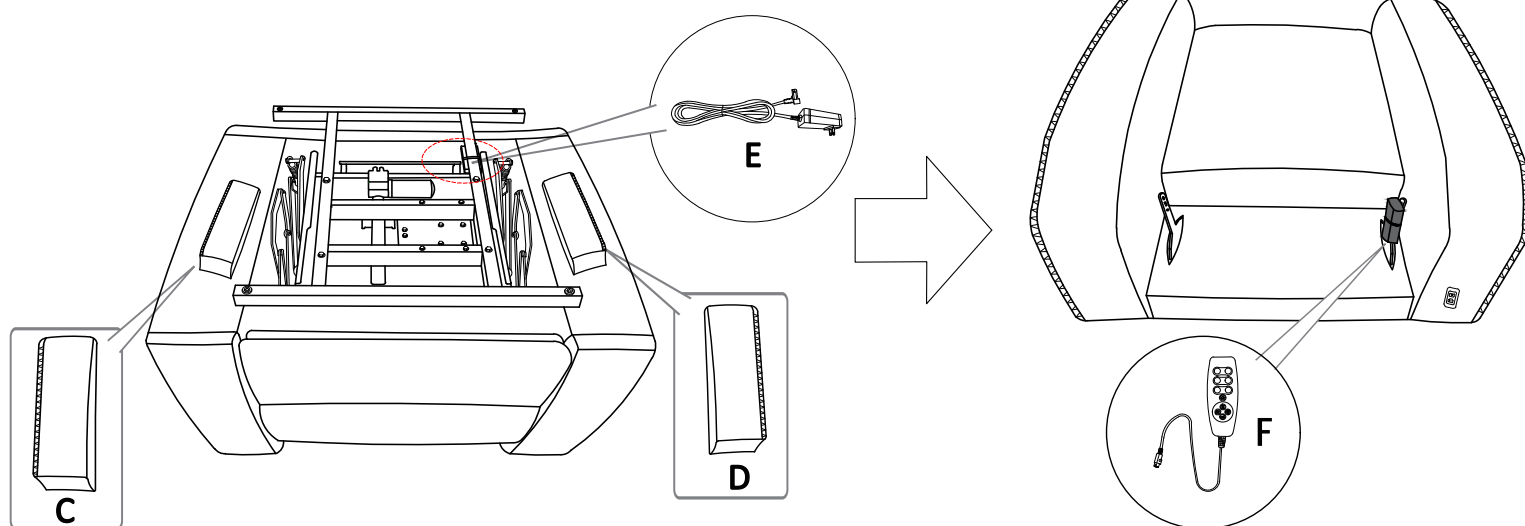
Part List

When unpacking, please be careful not to discard any parts with the packaging. Before continuing, please make sure you have the following parts:

No	Description	Sketch	Qty
A	Body		1 PC
B	Back cushion		1 PC
C	LAF Wing		1 PC
D	RAF Wing		1 PC
E	Plug Transformer		1 PC
F	Handheld controllers		1 PC

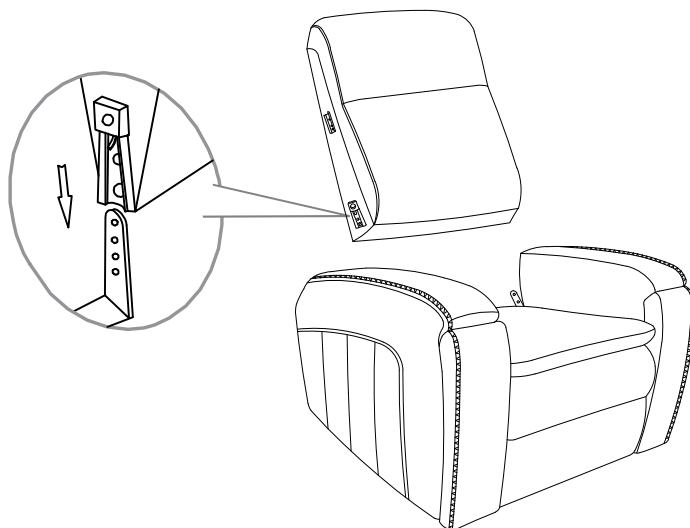
Step 1

1. Take out the LAF wing (C) and RAF wing (D) from the bottom of the armrest.
2. Remove the transformer (E) from the bottom of the Body (A).
3. Remove the handheld controllers (F) from the back of the Body (A).



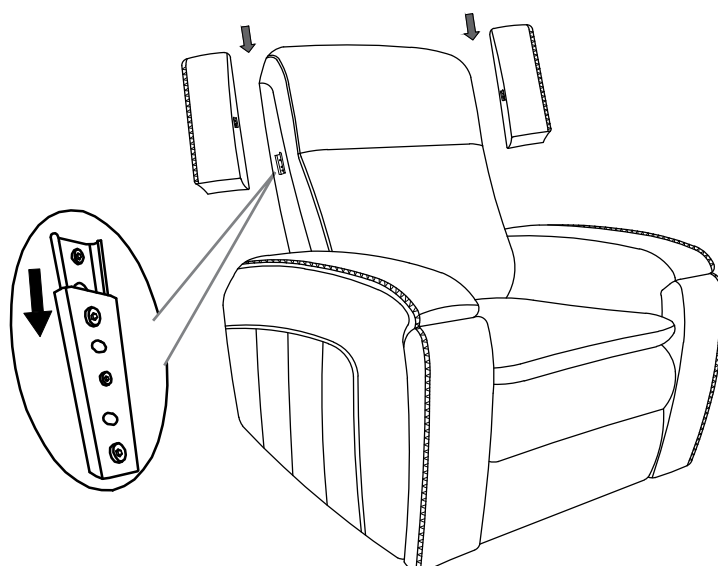
Step 2

Install the back cushion (B) into the body (A) by positioning the female metal receiver brackets over the male metal posts. Ensure that the female metal receiver brackets on each side line up with the seat metal posts. Push the backrest down until each side is locked into place and an audible "click" is heard.



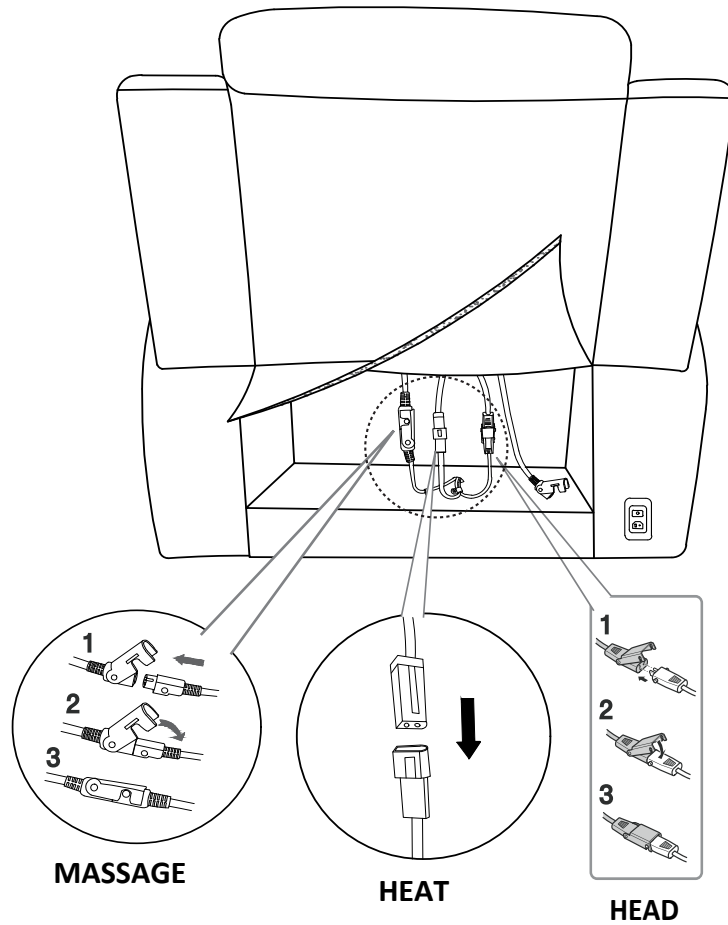
Step 3

Install the LAF Wing (C) and RAF Wing (D) by sliding wings in a downward motion along the side of the seat back to connect the brackets.



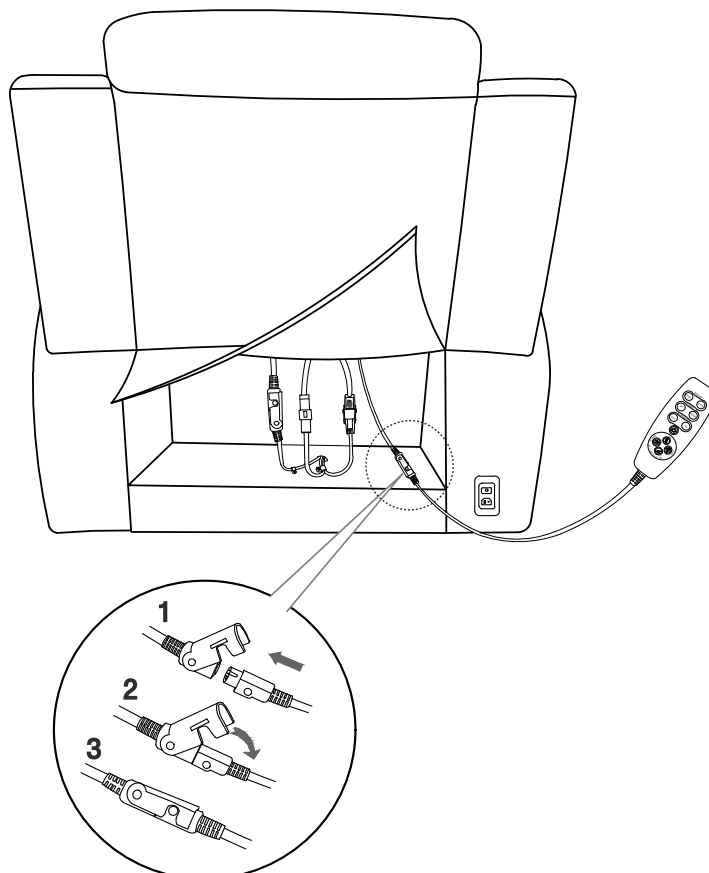
Step 4

2. The Massage , Heat and head power cords on the back cushion (B) and Body (A) , are different in color and shape, please connect each cord correctly.



Step 5

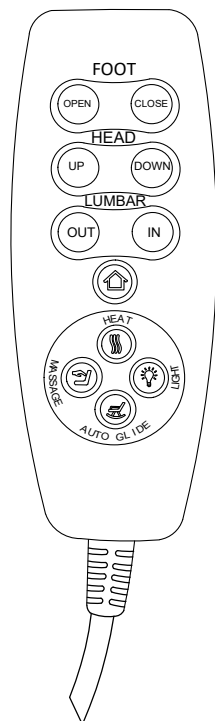
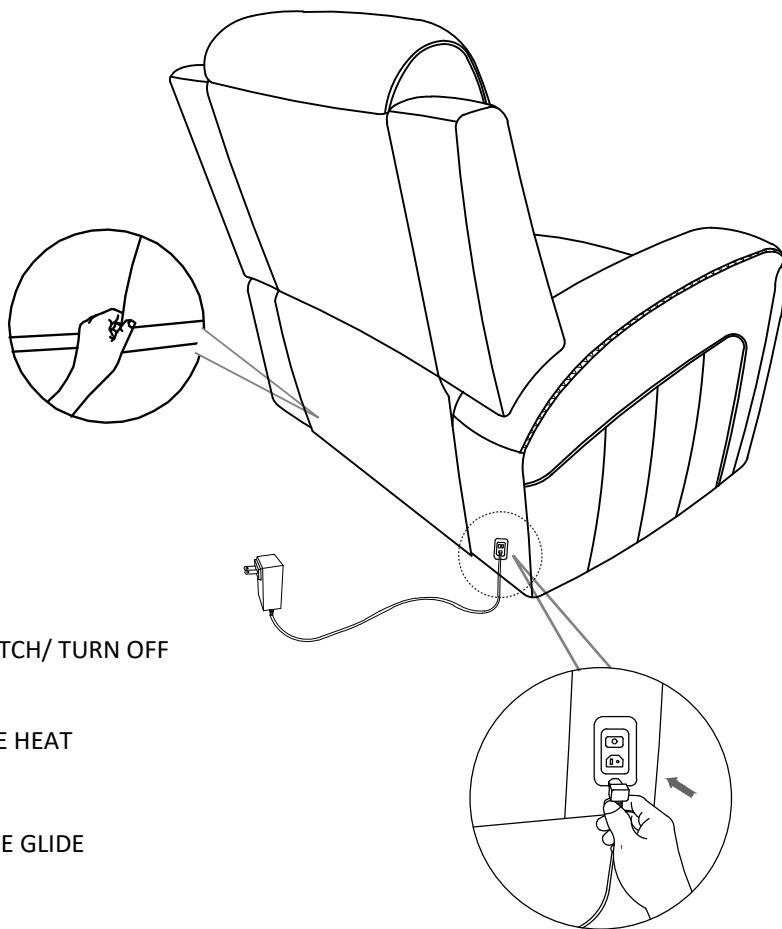
Connect handheld controllers to control chair mechanism and massage functions.



Step 6

1. Attach the flap to the seat frame by pulling the flap down, and pressing the bottom under the seat base, connecting the velcro.

2. Connect firmly one end of the wall plug transformer cord into the DC adapter located in the lower back corner of Recliner and plug the other end into a power outlet/wall socket and enjoy.



HOME BUTTON



MASSAGE MODE: PRESS TO SWITCH/ TURN OFF



HEAT MODE: PRESS TO INCREASE HEAT MODE/TURN OFF



GLIDE MODE: PRESS TO INCREASE GLIDE INTENSITY/ TURN OFF



LIGHT MODE: PRESS TO DECREASE BRIGHTNESS /TURN OFF

Function Display

