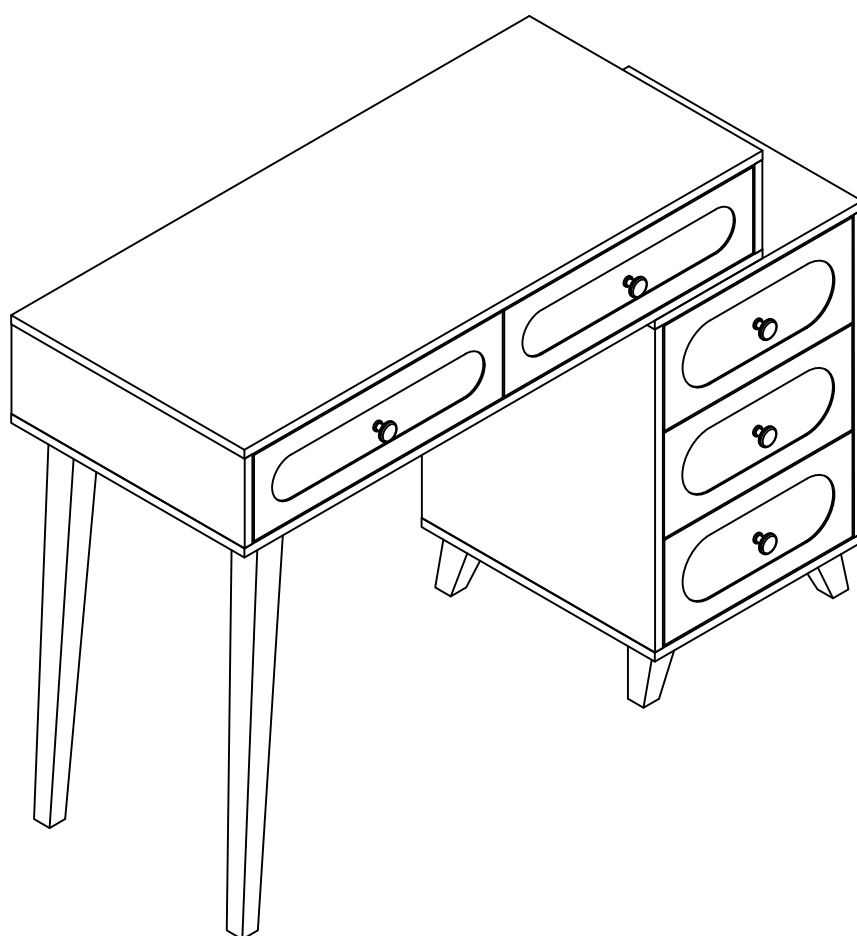


Assembly Instructions



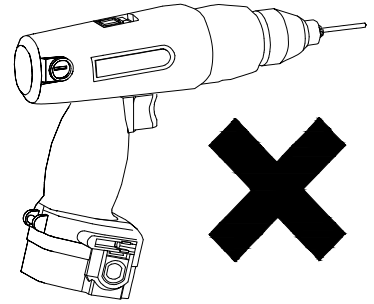
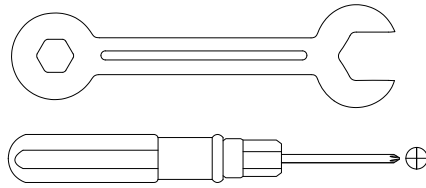
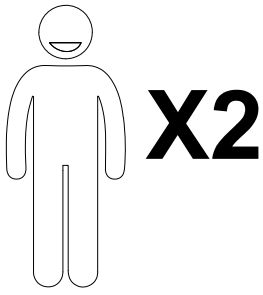
Contact Us

We're here to help you.

Your satisfaction is our top priority. If you encounter any issues with this product, such as missing or damaged parts, we're here to help. Please retain the original packaging and take photos of the packaging and the product, then contact us as soon as possible.

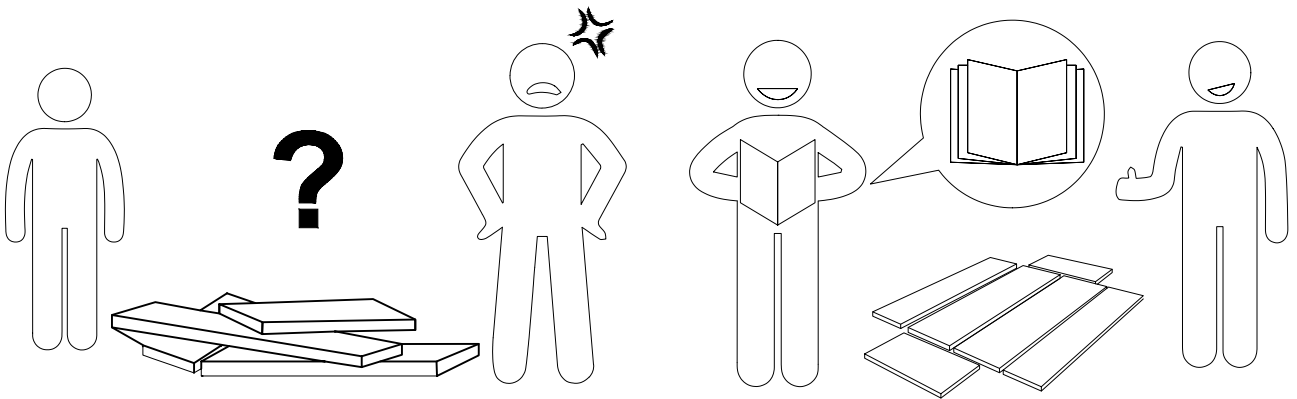
Warm Tips

1. Carefully read these instructions and keep them for future reference.
2. Check the parts list and confirm everything's there before starting assembly.
3. When assembling, put all parts on a soft, smooth surface like a carpet to avoid scratches.
4. Don't fully tighten screws until all parts are confirmed in place to avoid misalignment.



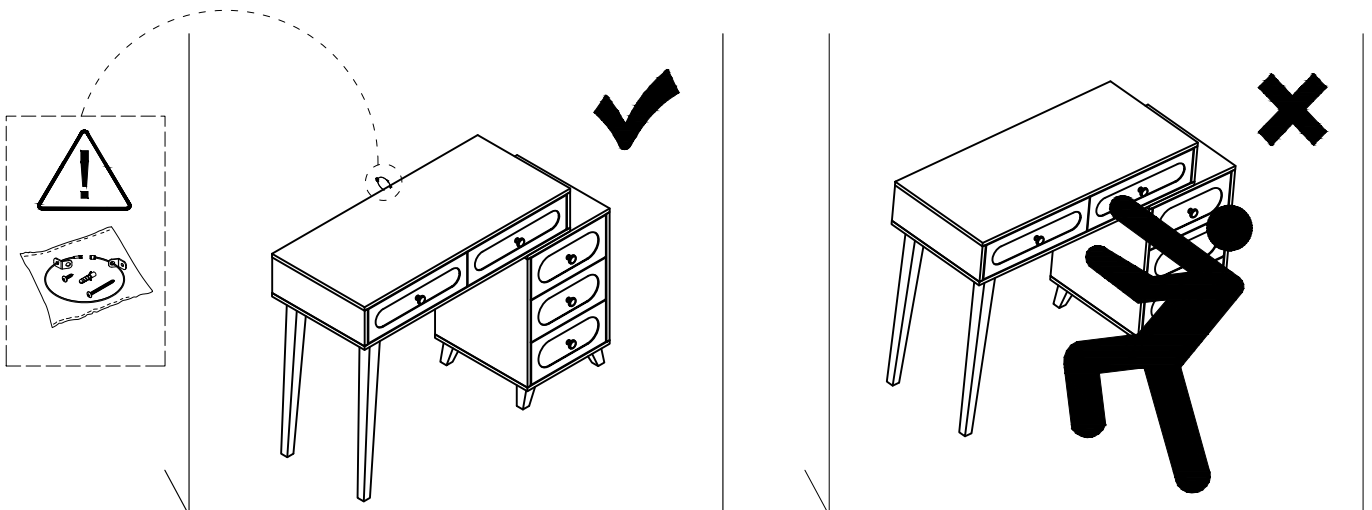
We recommend using hand tools for assembly.

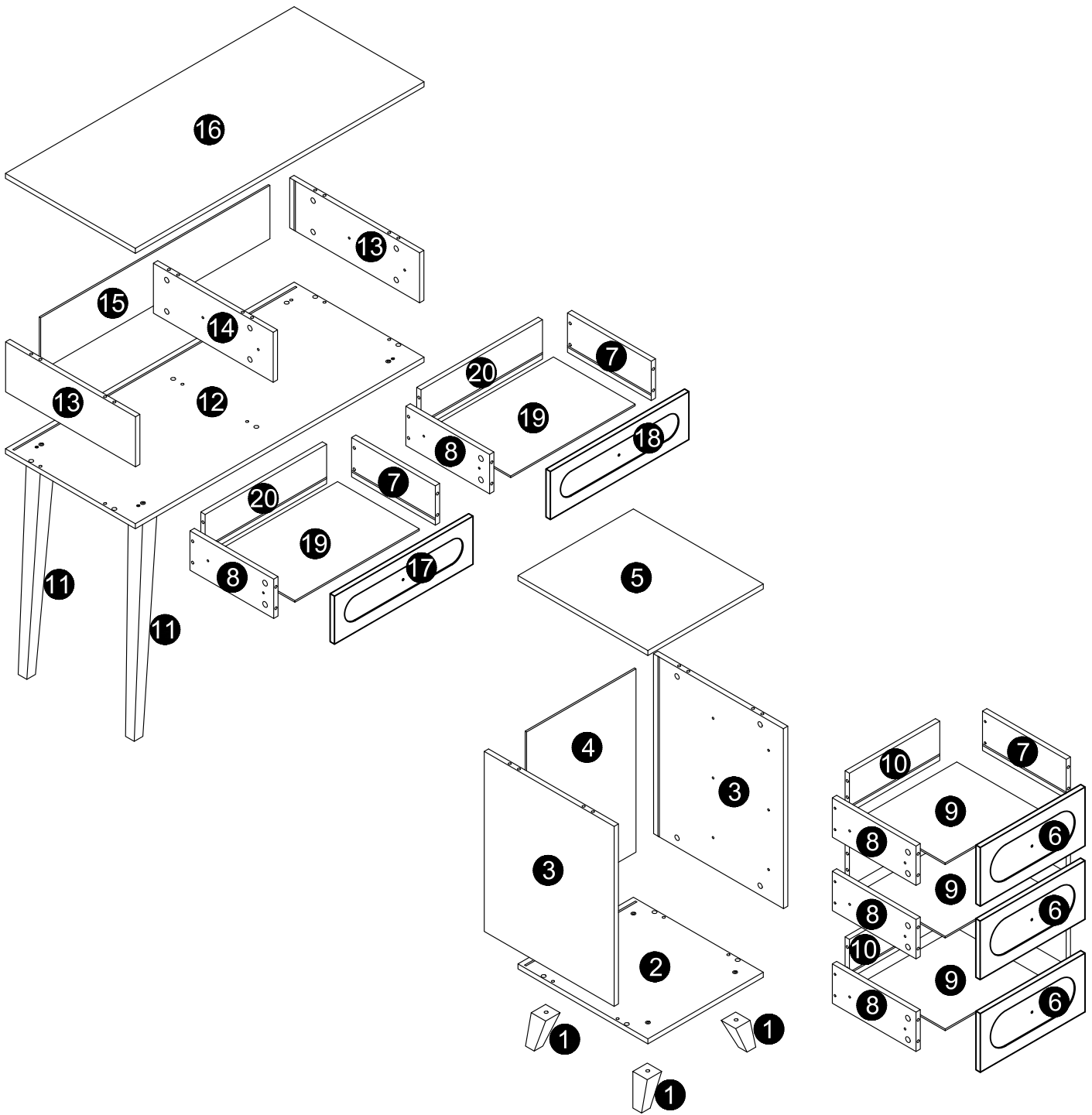
If an electric screwdriver is used, reduce power and torque to avoid damage to the product.



Install the Anti-Tip Straps

Using the anti-tip straps can reduce the risk of tipping over, but can not eliminate it.

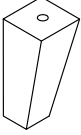
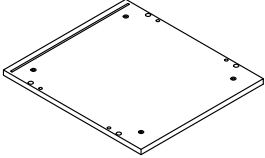
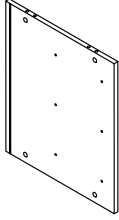

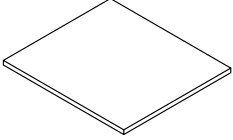
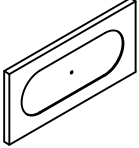
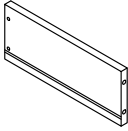
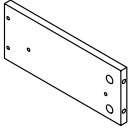
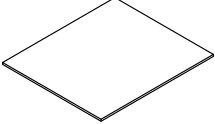
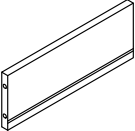

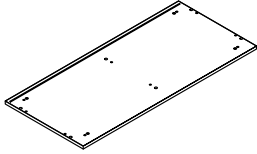
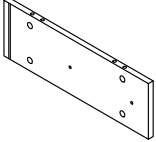
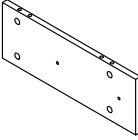
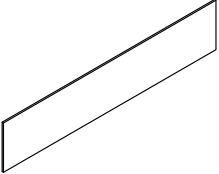
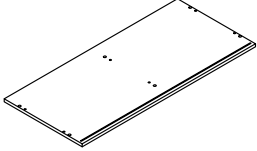
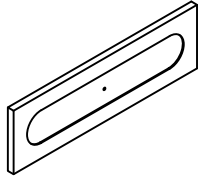
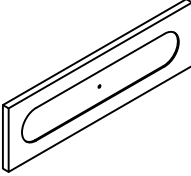
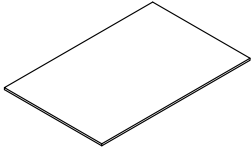
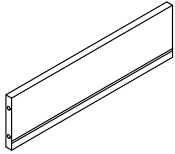




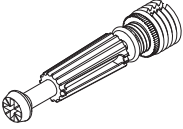
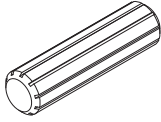
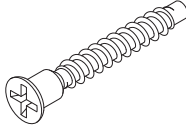
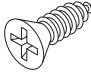
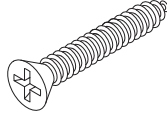

⚠ Caution

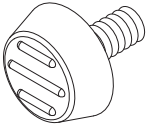
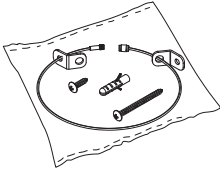
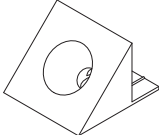

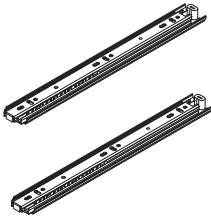
Make sure all parts are included. Most board parts are labeled or stamped on the raw edge. Contact us for a free replacement if you encounter any damaged or missing parts.

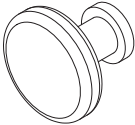
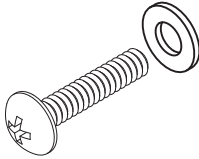
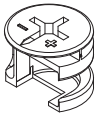
Parts List

<p>1</p>  <p>4 pcs</p>	<p>2</p>  <p>1 pc</p>	<p>3</p>  <p>2 pcs</p>	<p>4</p>  <p>1 pc</p>	<p>5</p>  <p>1 pc</p>
<p>6</p>  <p>3 pcs</p>	<p>7</p>  <p>5 pcs</p>	<p>8</p>  <p>5 pcs</p>	<p>9</p>  <p>3 pcs</p>	<p>10</p>  <p>3 pcs</p>
<p>11</p>  <p>2 pcs</p>	<p>12</p>  <p>1 pc</p>	<p>13</p>  <p>2 pcs</p>	<p>14</p>  <p>1 pc</p>	<p>15</p>  <p>1 pc</p>
<p>16</p>  <p>1 pc</p>	<p>17</p>  <p>1 pc</p>	<p>18</p>  <p>1 pc</p>	<p>19</p>  <p>2 pcs</p>	<p>20</p>  <p>2 pcs</p>

Hardware List

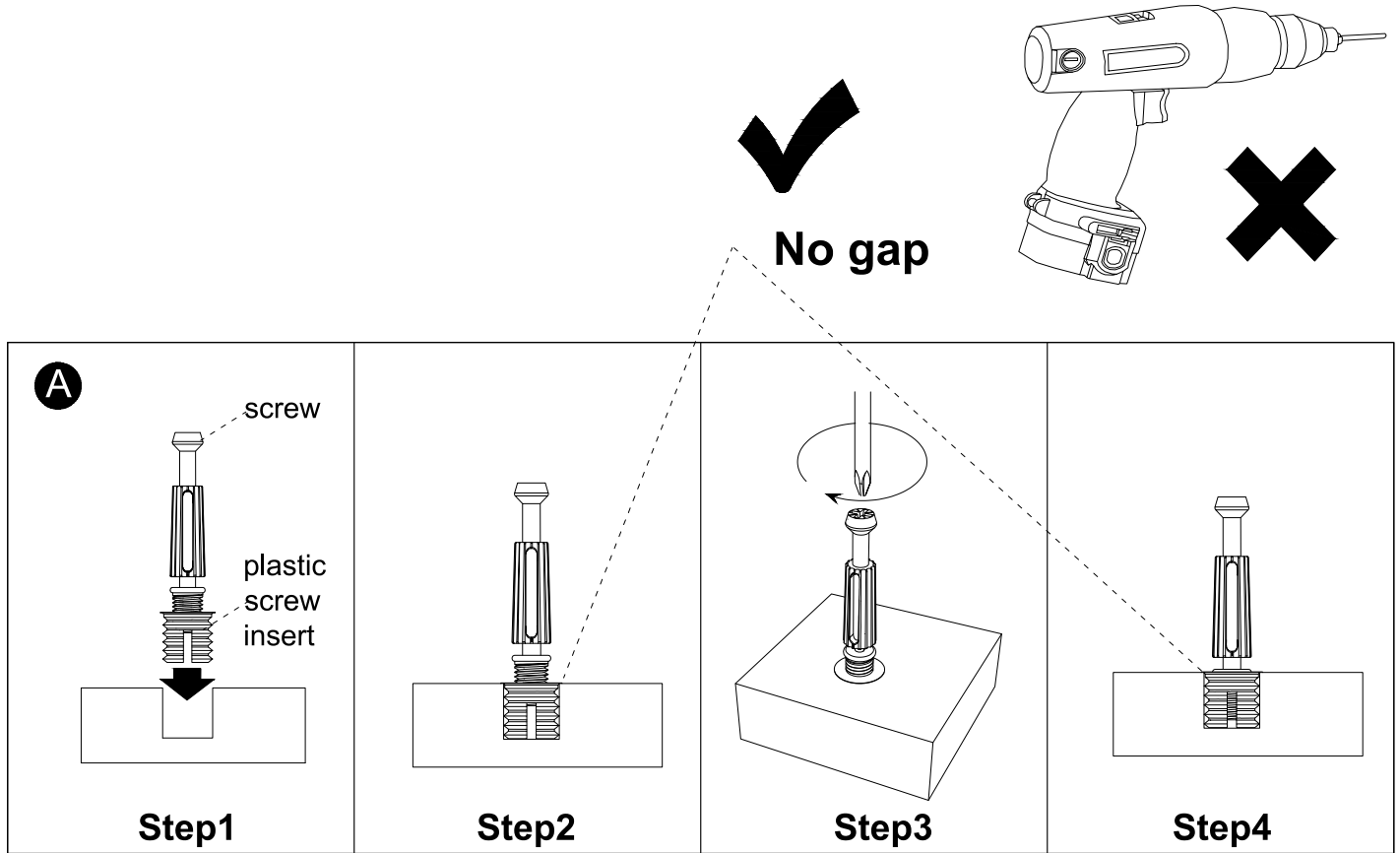
A	B	C	D	E	F
					
M6x35mm	Ø8x30mm	Ø7x38mm	Ø3.5x14mm	Ø3.5x25mm	Ø3.5x35mm
40 pcs	20 pcs	6 pcs	50 pcs	2 pcs	20 pcs

G	H	I	J	K	
					
M6x14mm				300mm	
6 pcs	1 pc	10 pcs	1 pc	5 sets	

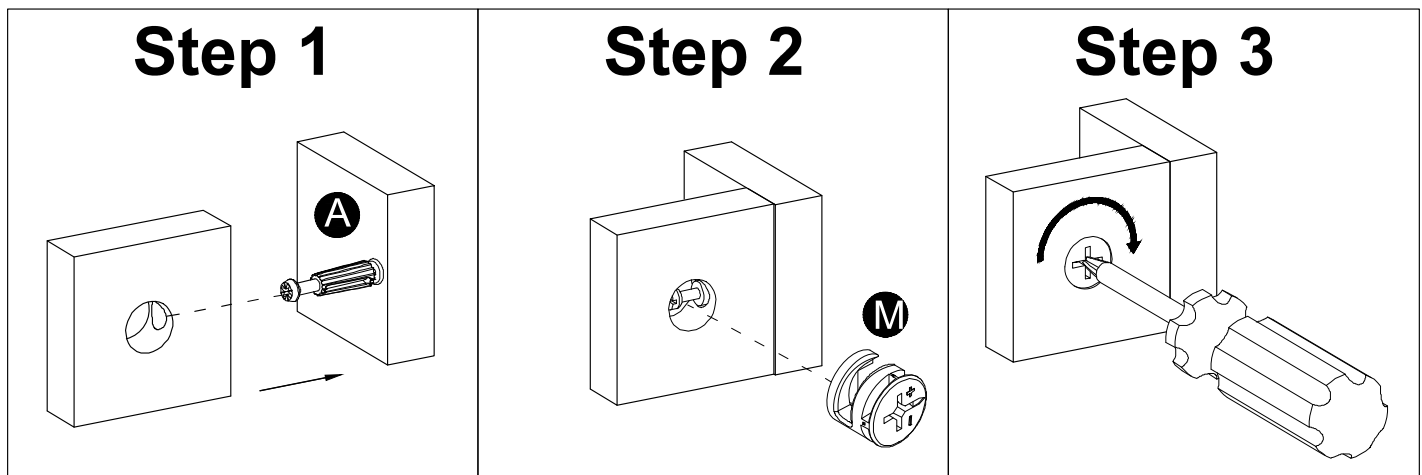
L		M			
L1	L2				
					
	Ø4x18mm	Ø15x12mm			
5 pcs	5 pcs	40 pcs			

Installation of Cams and Pins

Step 1-2: Align the plastic part with the mounting hole and press it in. If you can't press it in, loosen the screw counter clockwise or completely remove the screw from the plastic part and try again.
 Step 3-4: After pressing the plastic part into place, use a screwdriver to tighten the screw clockwise.



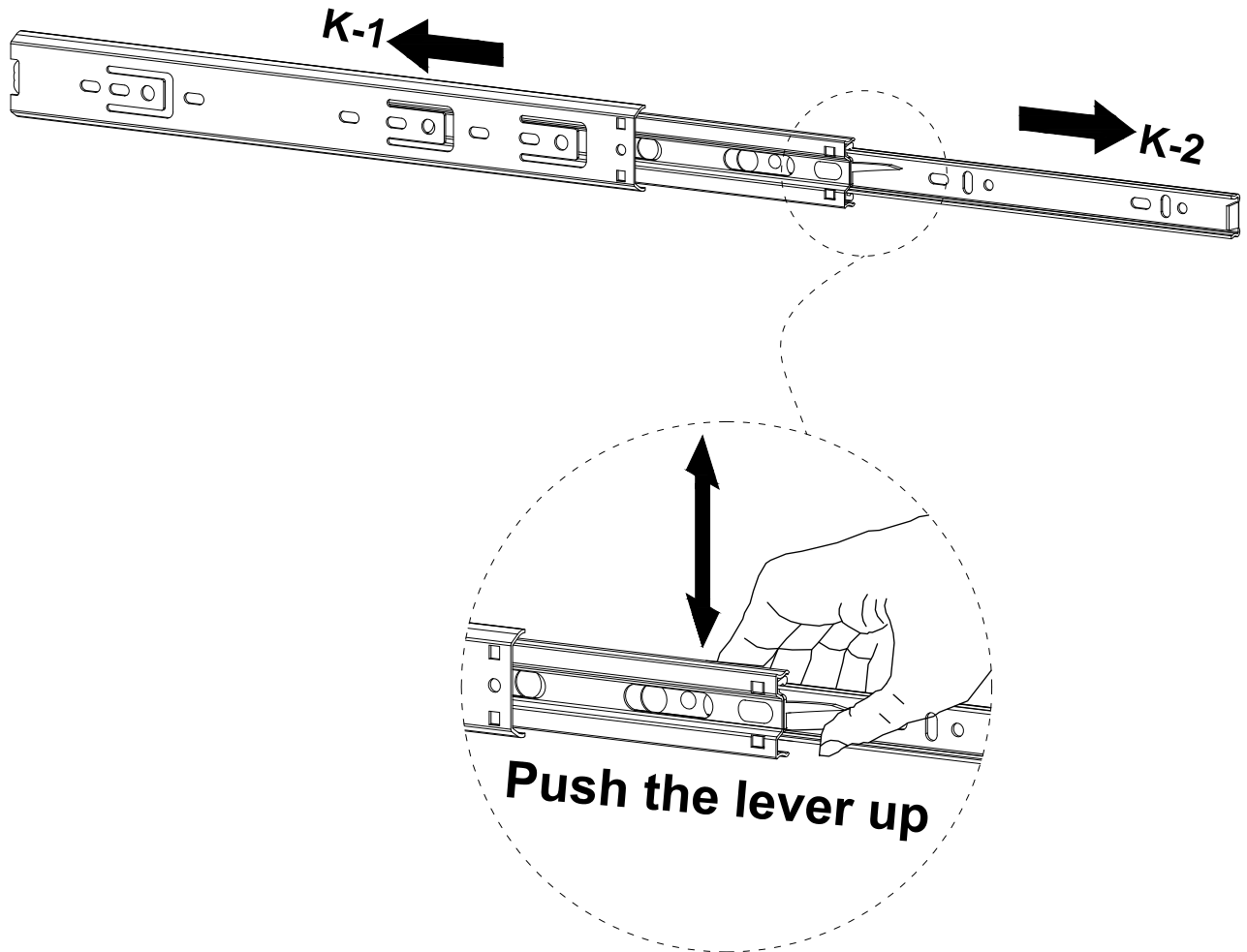
Screw the pin into the hole. Set the cams correctly by aligning the head of the cams with the lock pins. Lock the cam by turning the cam head with a screwdriver until it is tightened. Please do not use an electric screwdriver to assemble the unit.



Please split component "K" into "K-1" and "K-2" before assembling the slide rail component, and then proceed to the next step of assembly

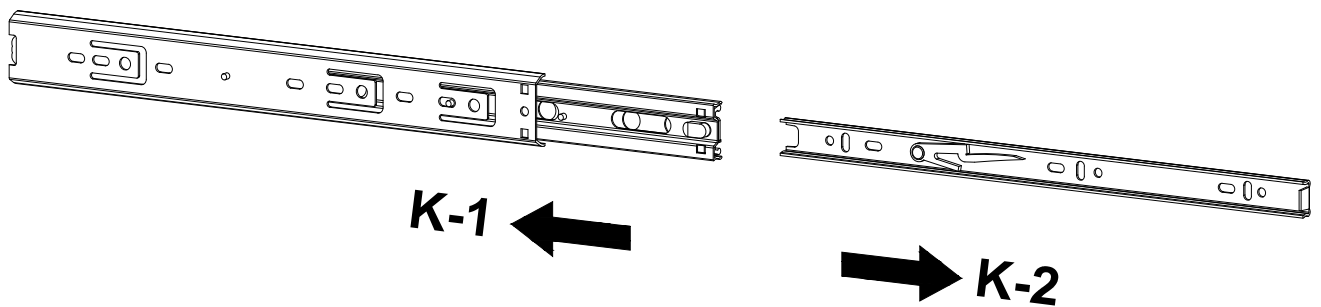
Step 1

Pull apart component "K" to each side, and then gently push up the lever of component "K-2"

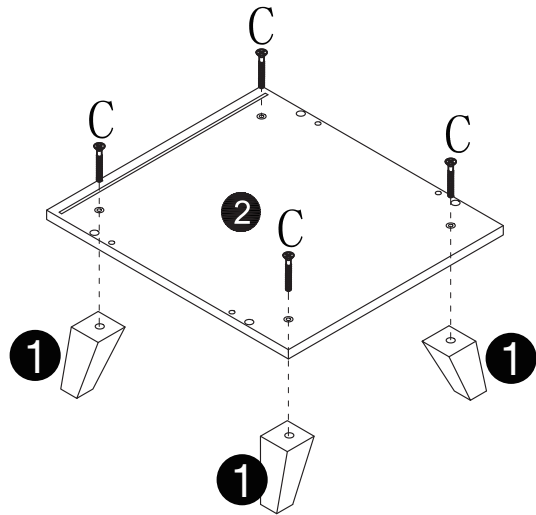


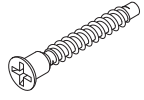

Step 2

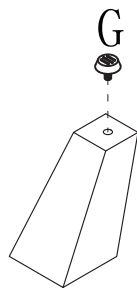
Split component "K-1" and "K-2"



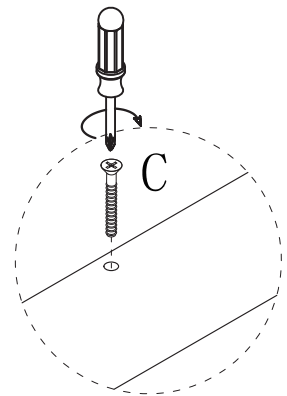
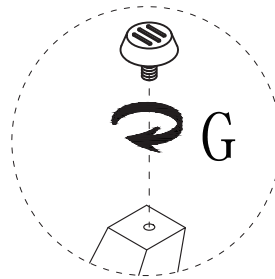
1



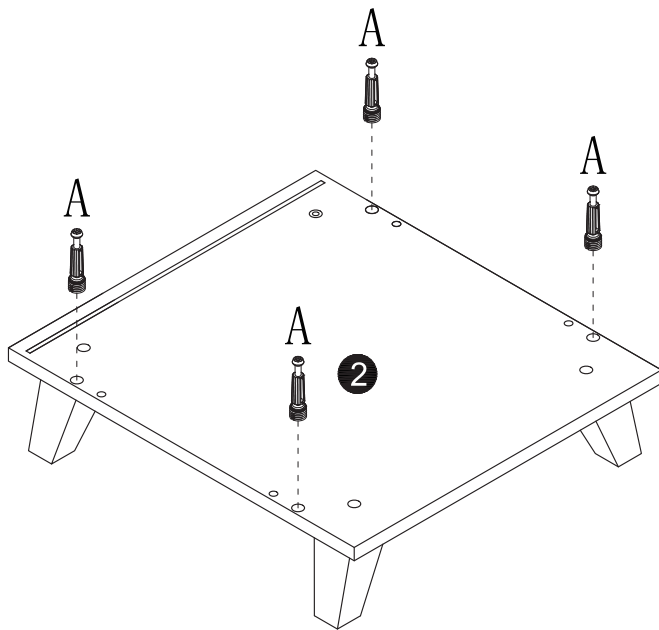
C	G
 Ø7x38mm	 M6x14mm
4 pcs	4 pcs




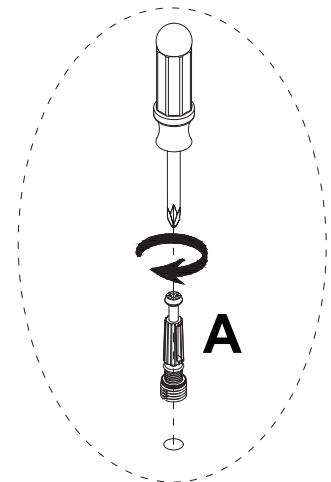
X4



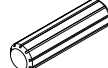


2

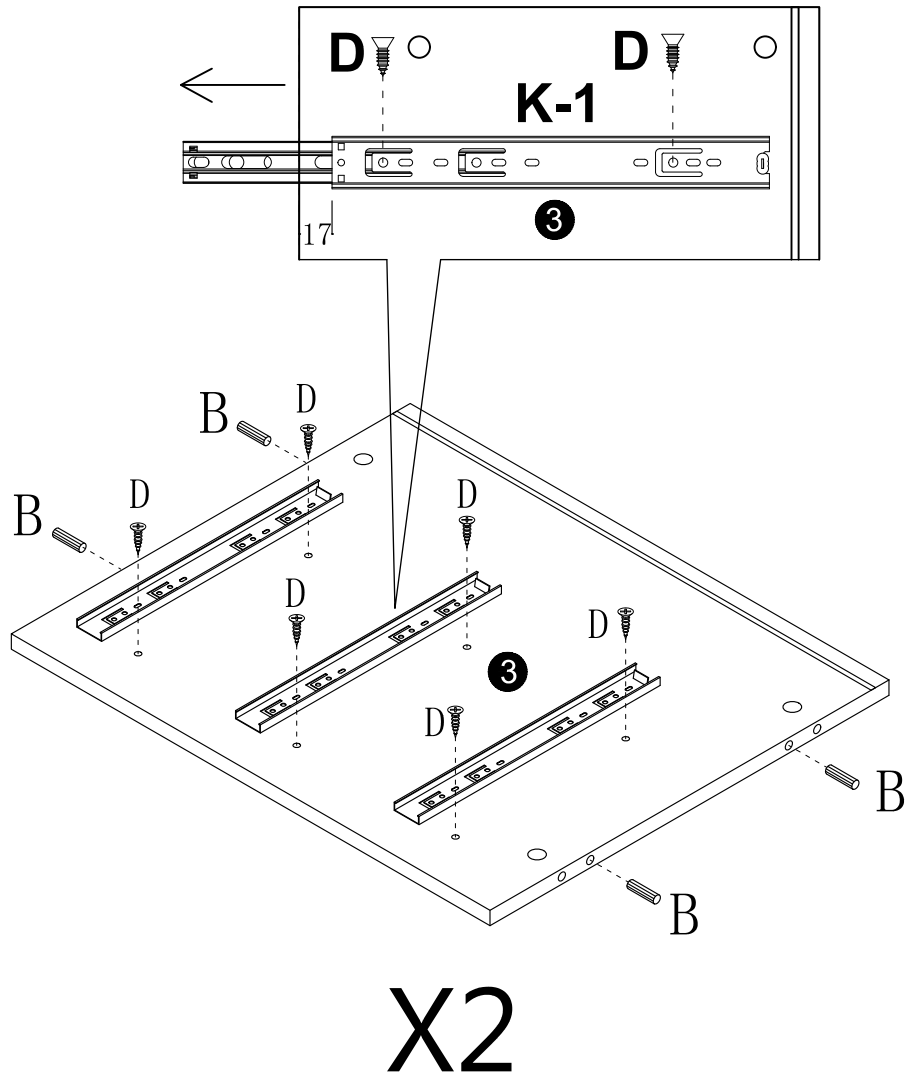
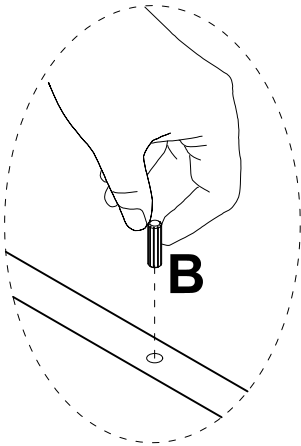
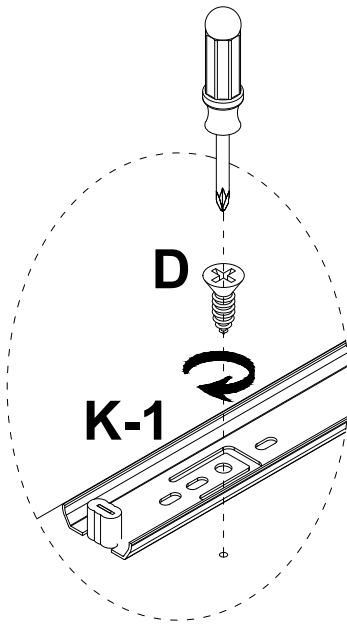



A
 M6x35mm
4 pcs



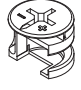
3

B	D	K-1
		
Ø8x30mm	Ø3.5x14mm	
8 pcs	12 pcs	6 pcs

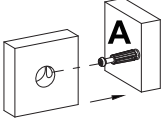


 Please note that the wider part of the slide is NOT flush with the edge of the cabinet.

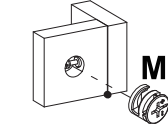
4

M

Ø15x12mm
4 pcs

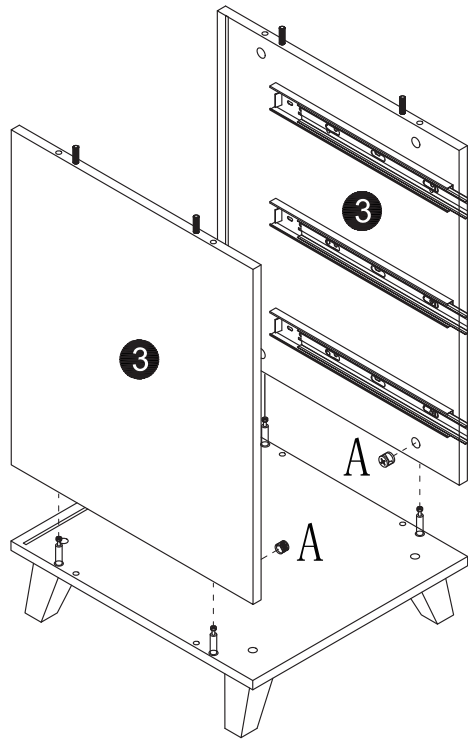
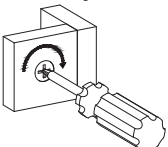
Step 1



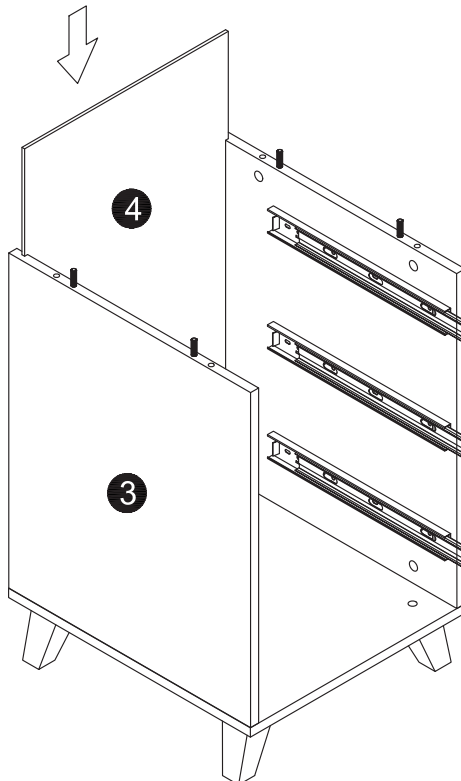
Step 2



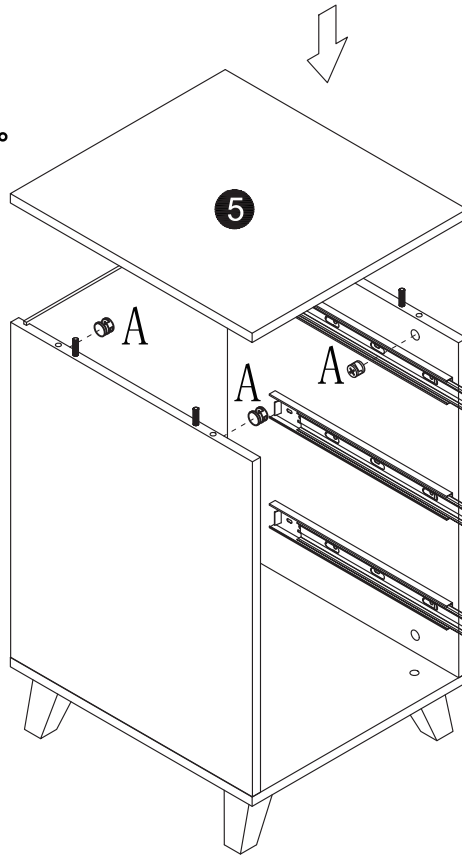
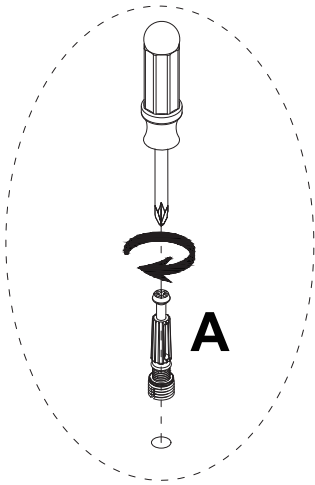
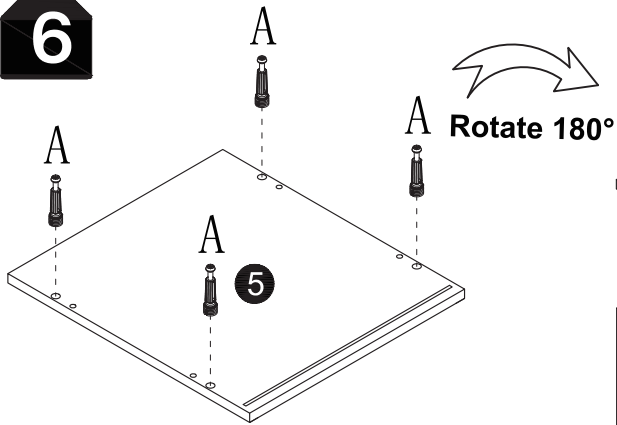
Step 3




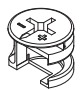
5

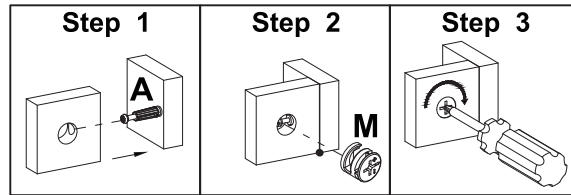


6

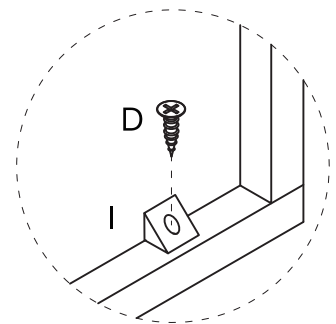
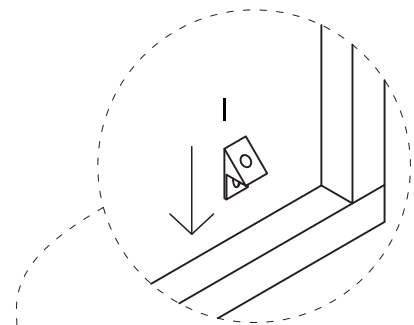
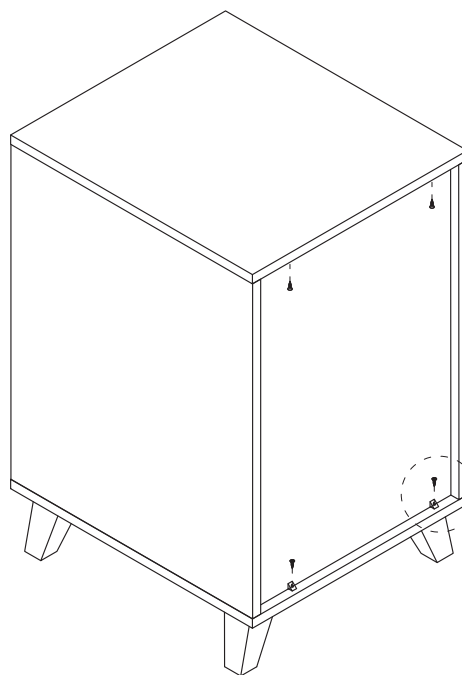


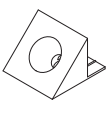

A

M6x35mm
4 pcs

M

Ø15x12mm
4 pcs

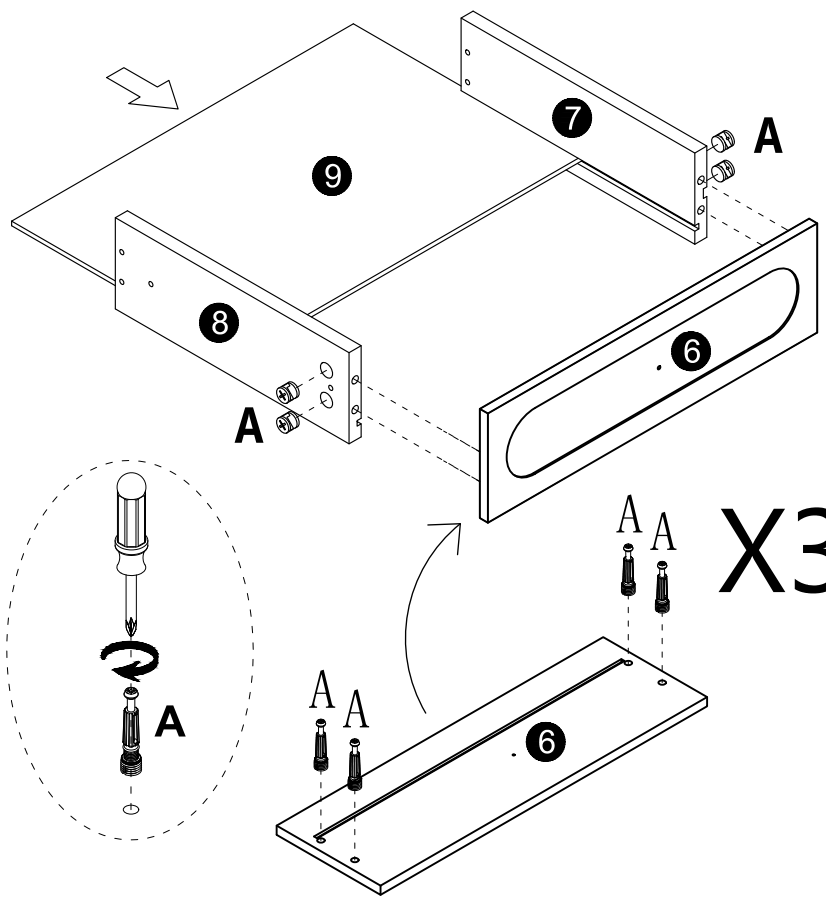



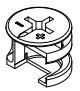
7

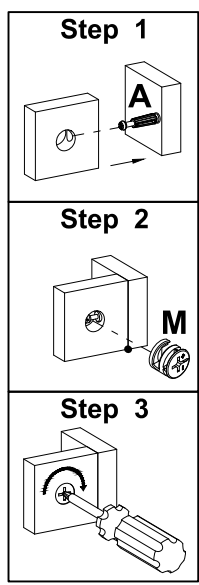


I	D
	
4 pcs	Ø3.5x14mm
4 pcs	4 pcs

8

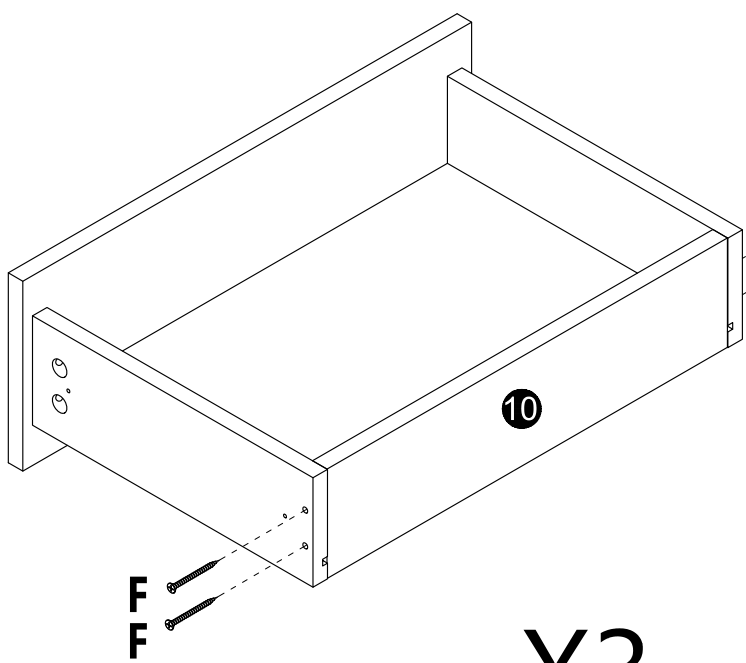



A	M
	
M6x35mm	Ø15x12mm
12 pcs	12 pcs



X3

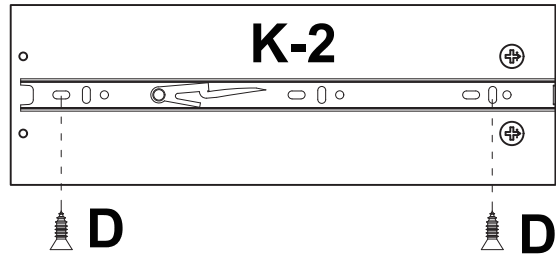
9



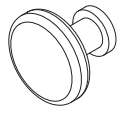



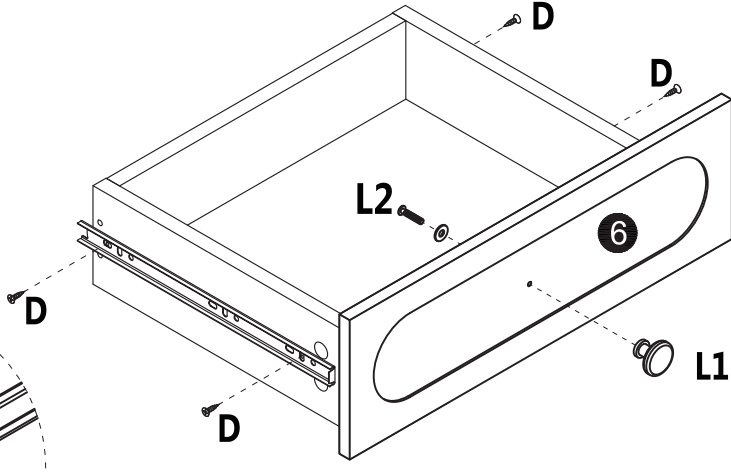
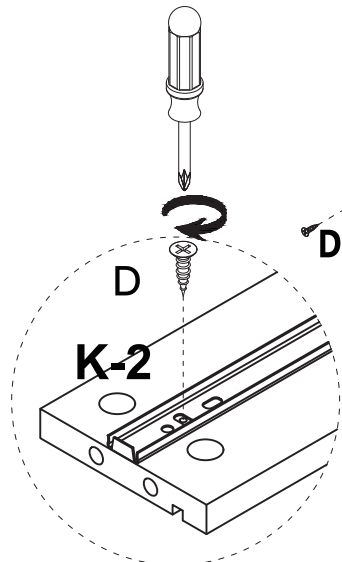
F

Ø3.5x35mm
12 pcs

X3

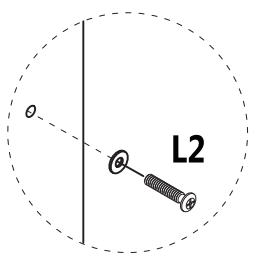
10



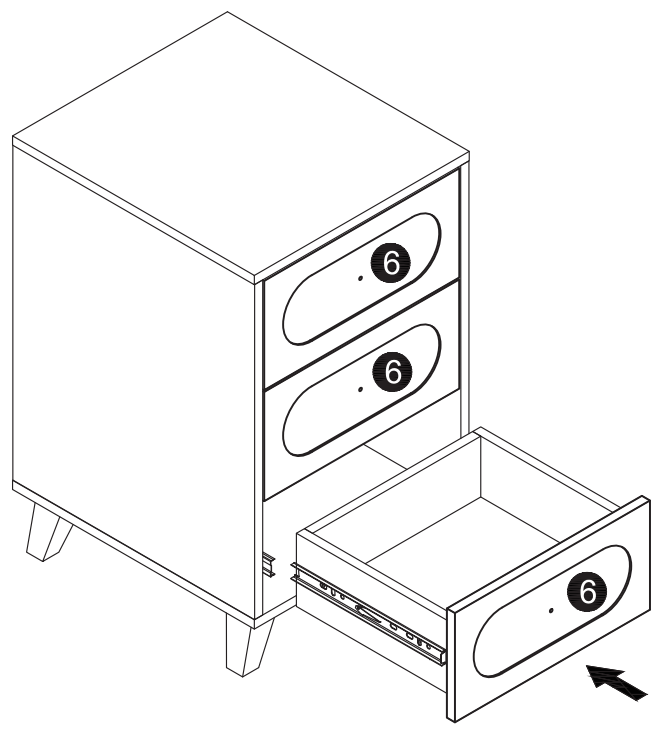
D	K-2
 Ø3.5x14mm	
12 pcs	6 pcs
L1	L2
	
3 pcs	3 pcs



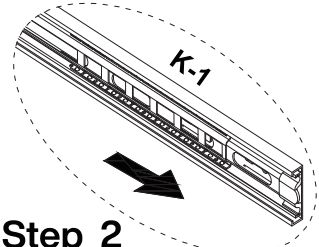
X3



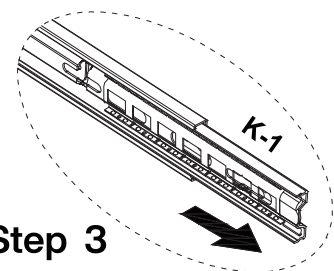
11



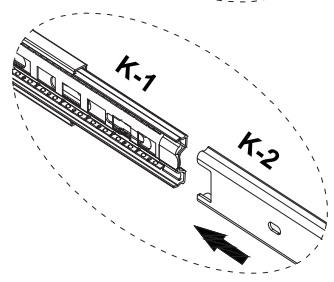
Step 1



Step 2


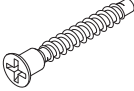




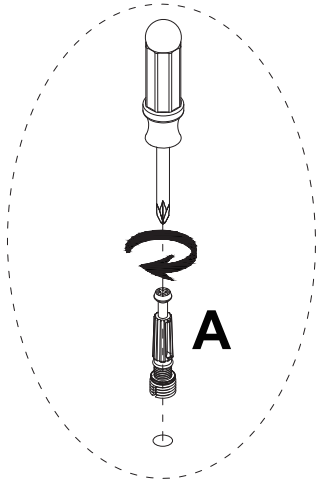
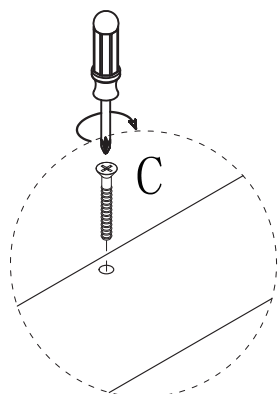
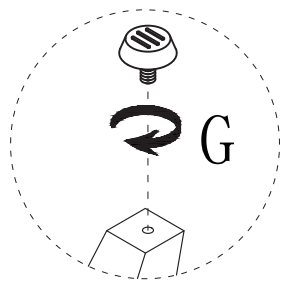
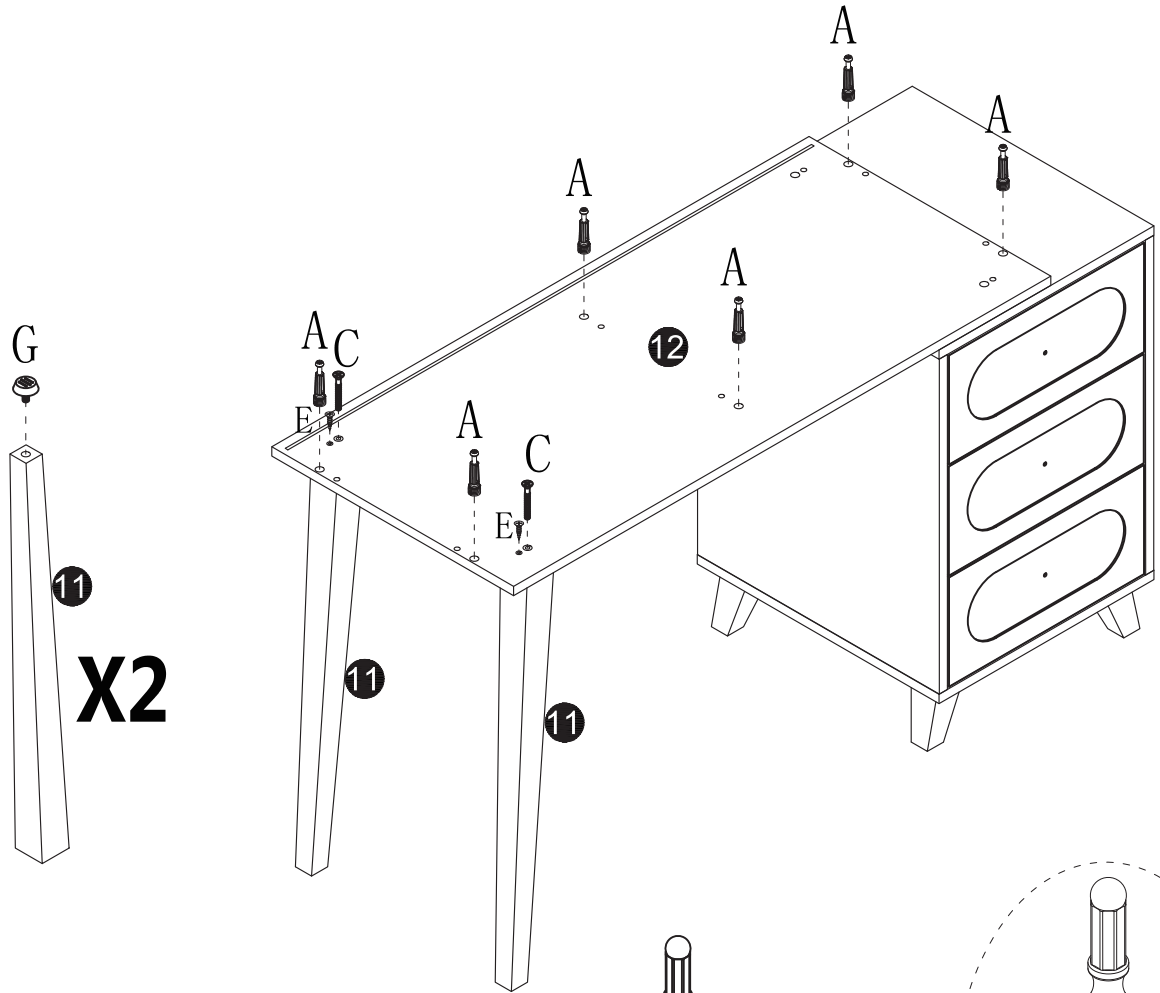
Step 3



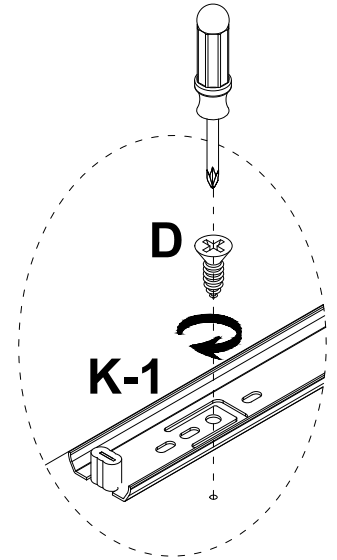
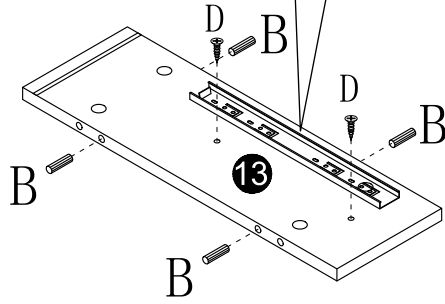
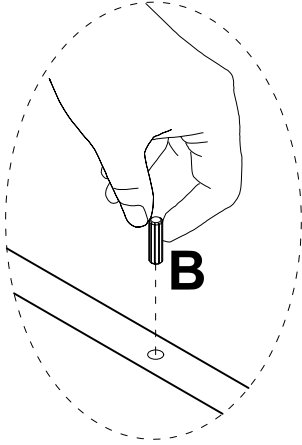
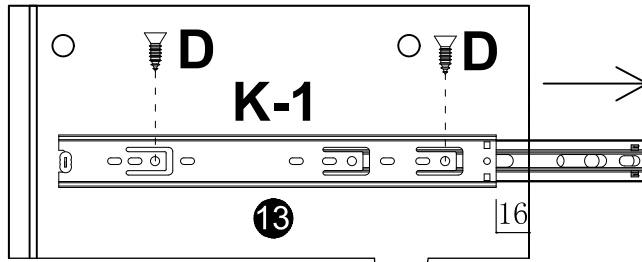
Before installation, slide the inner iron pieces of #K-1 to the outermost side. Then align it with #K-2 and gently push it inward to complete the slide installation.

12

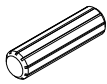


A	C	G	E
			
M6x35mm	Ø7x38mm	M6x14mm	Ø3.5x25mm
6 pcs	2 pcs	2 pcs	2 pcs



13



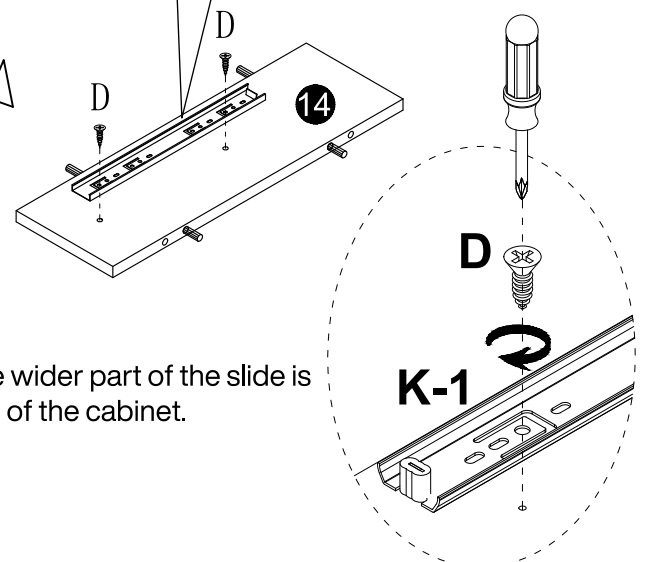
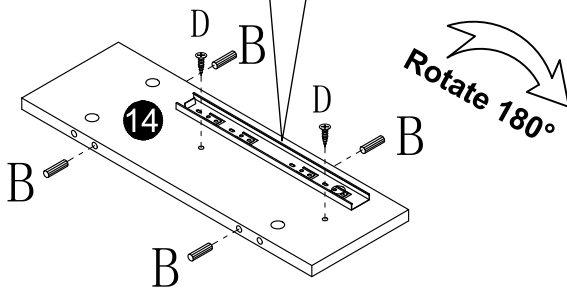
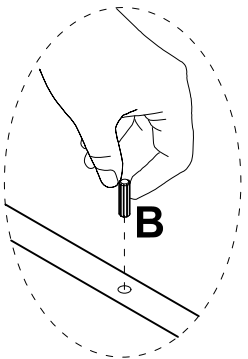
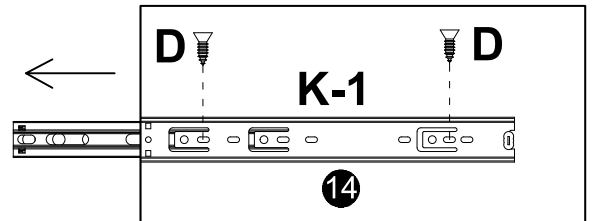
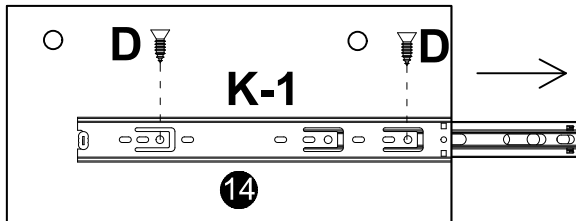
X2

B	D	K-1
		
Ø8x30mm	Ø3.5x14mm	
8 pcs	4 pcs	2 pcs

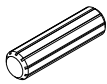




Please note that the wider part of the slide is NOT flush with the edge of the cabinet.

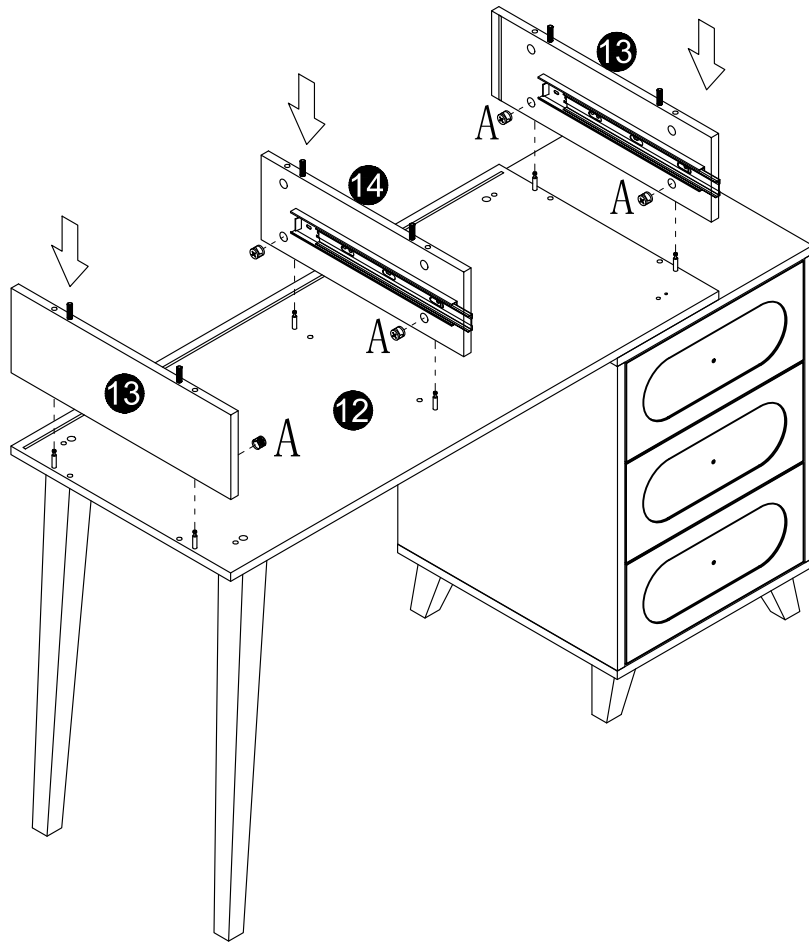
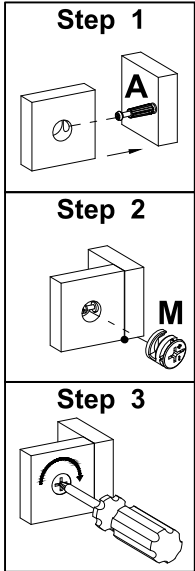
14

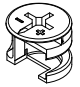


Please note that the wider part of the slide is flush with the edge of the cabinet.

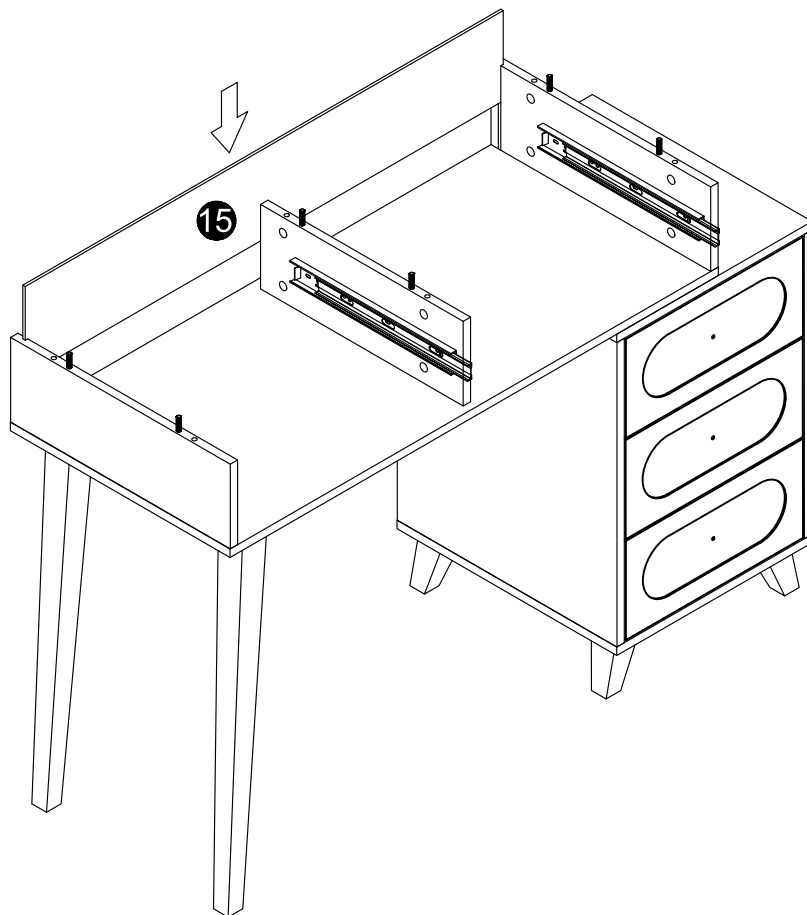
B	D	K-1
		
Ø8x30mm	Ø3.5x14mm	
4 pcs	4 pcs	2 pcs

15

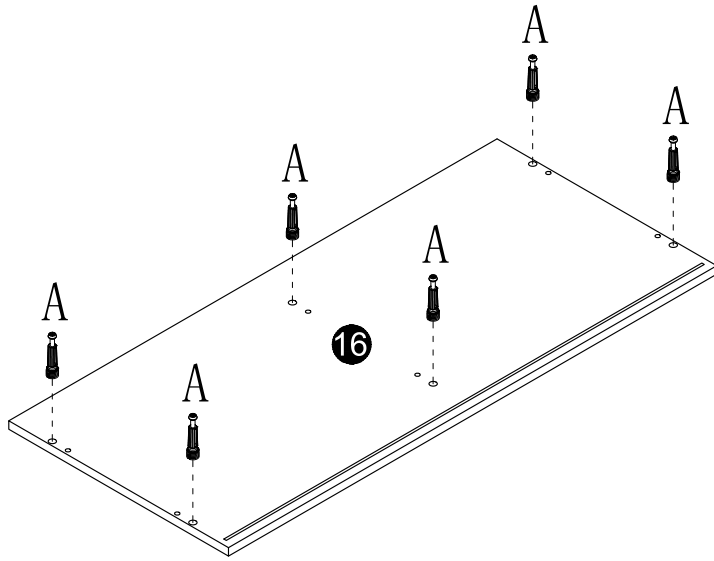



M

Ø15x12mm
6 pcs

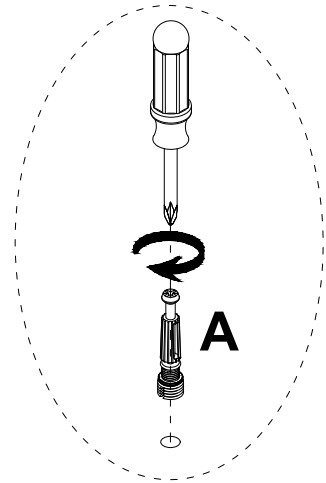
16



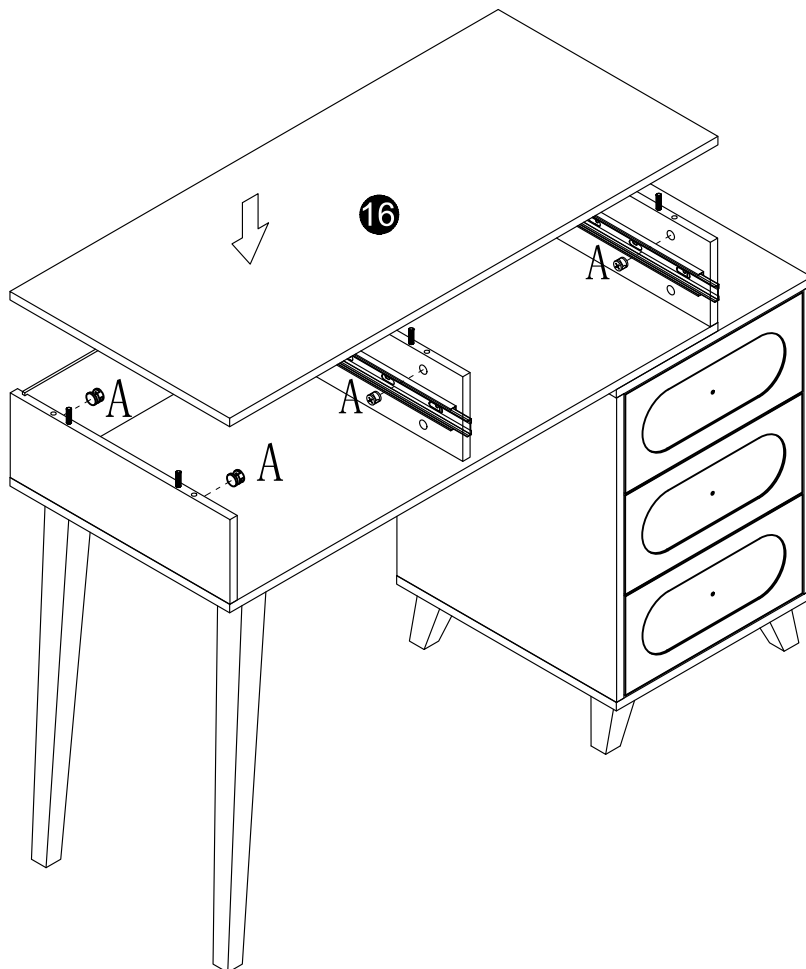
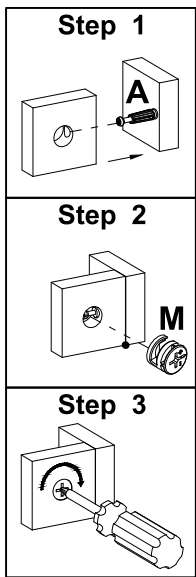
17




A

M6x35mm
6 pcs

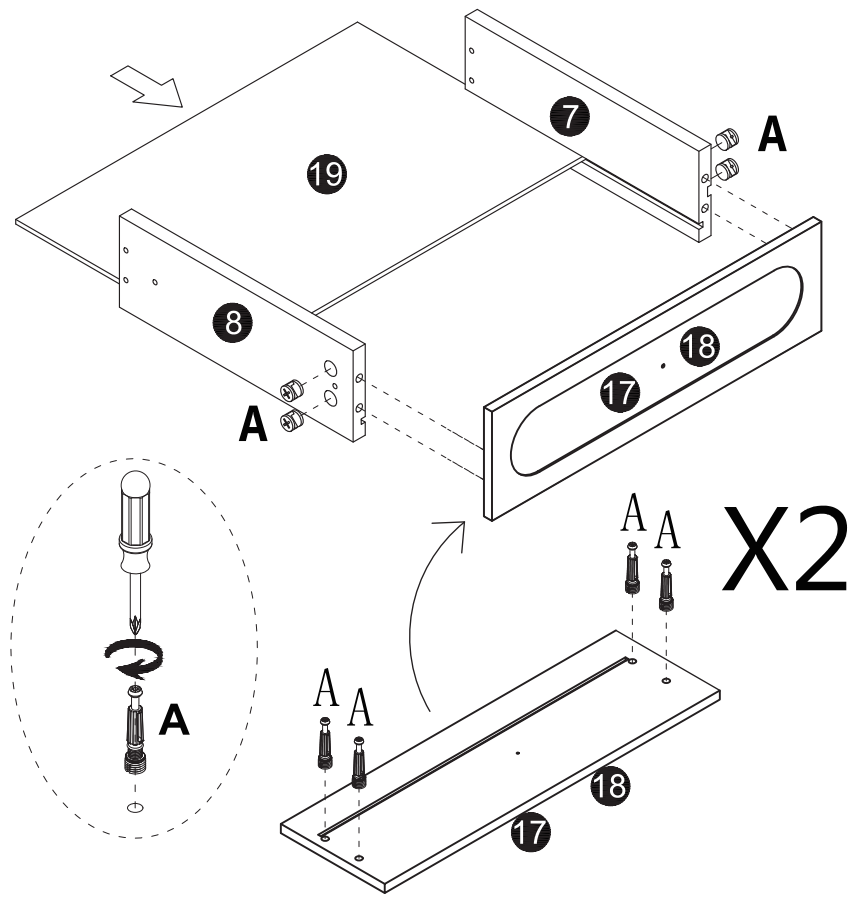



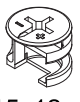
18

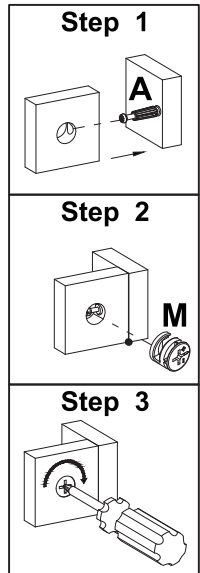


M

Ø15x12mm
6 pcs

19

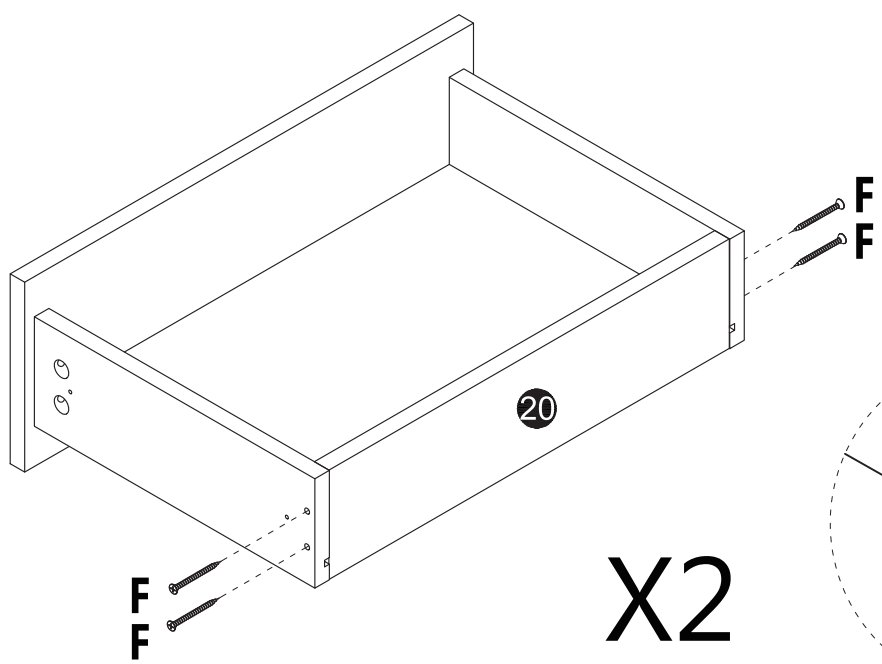



A	M
	
M6x35mm	Ø15x12mm
8 pcs	8 pcs



X2

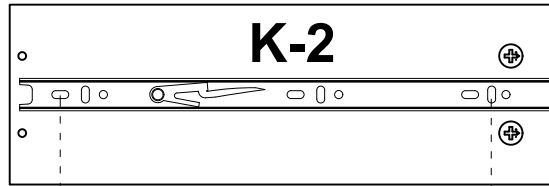
20



F

Ø3.5x35mm
8 pcs

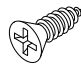

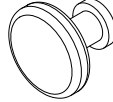

X2

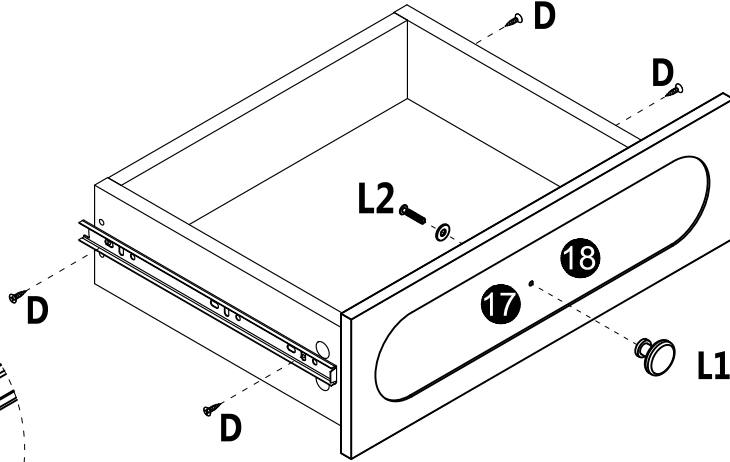
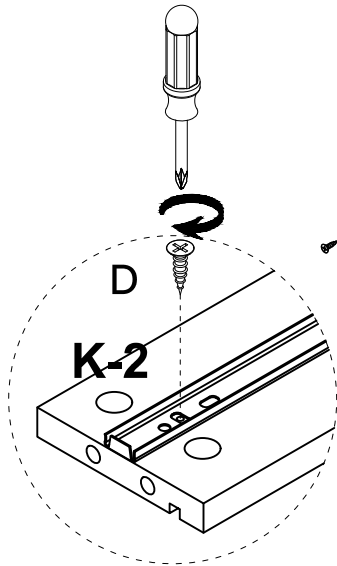
21



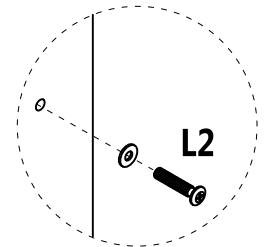
D

D

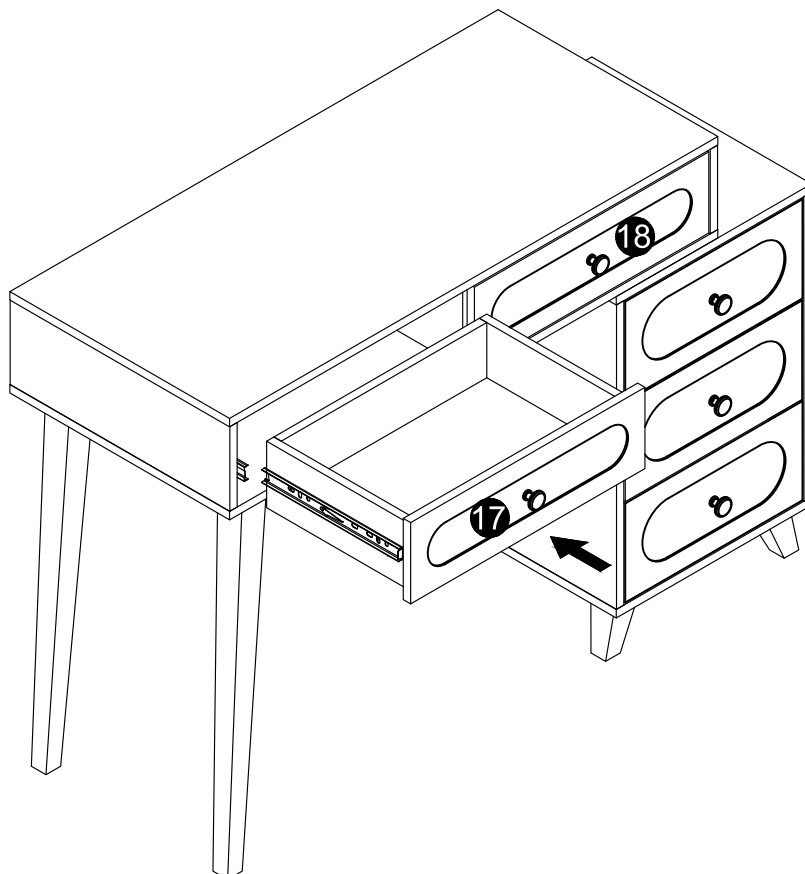
D	K-2
 Ø3.5x14mm	
8 pcs	4 pcs
L1	L2
	 Ø4x18mm
2 pcs	2 pcs



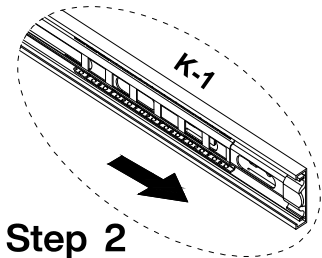
X2



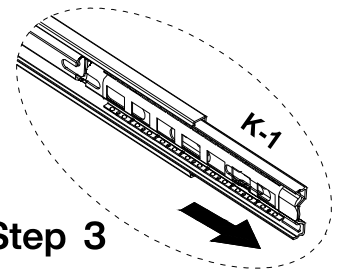
22



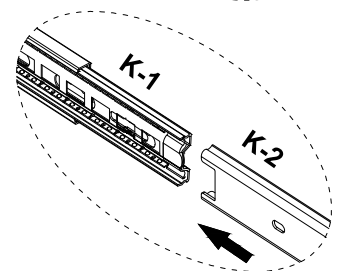
Step 1



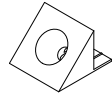
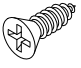
Step 2

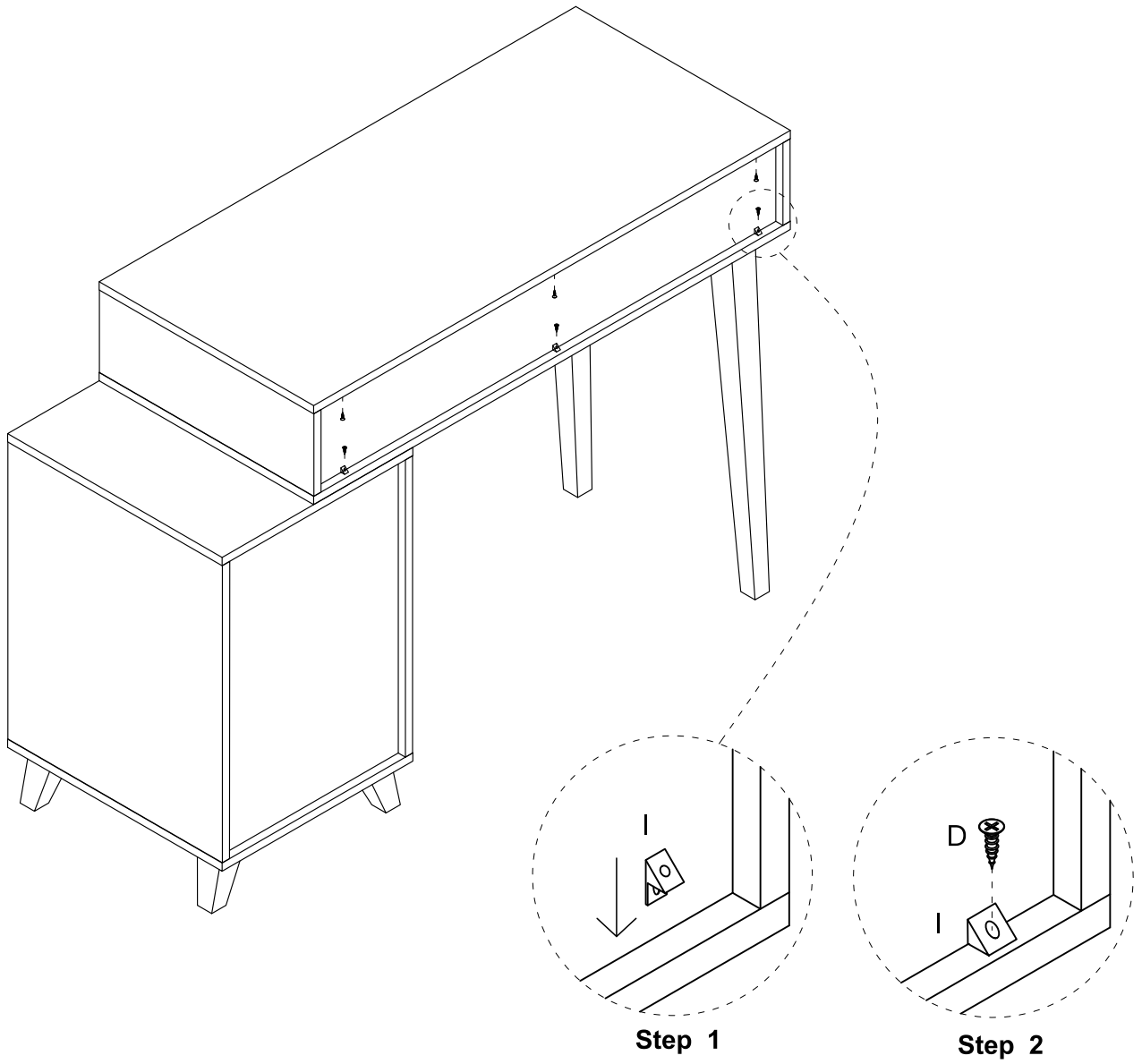


Step 3

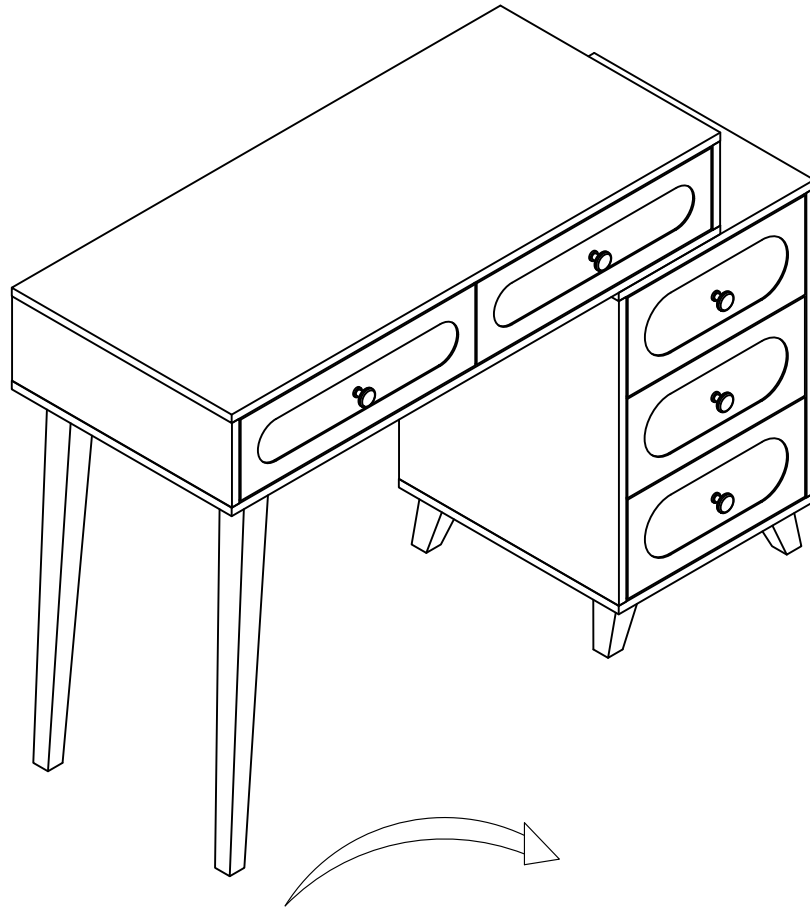


Before installation, slide the inner iron pieces of #K-1 to the outermost side. Then align it with #K-2 and gently push it inward to complete the slide installation.

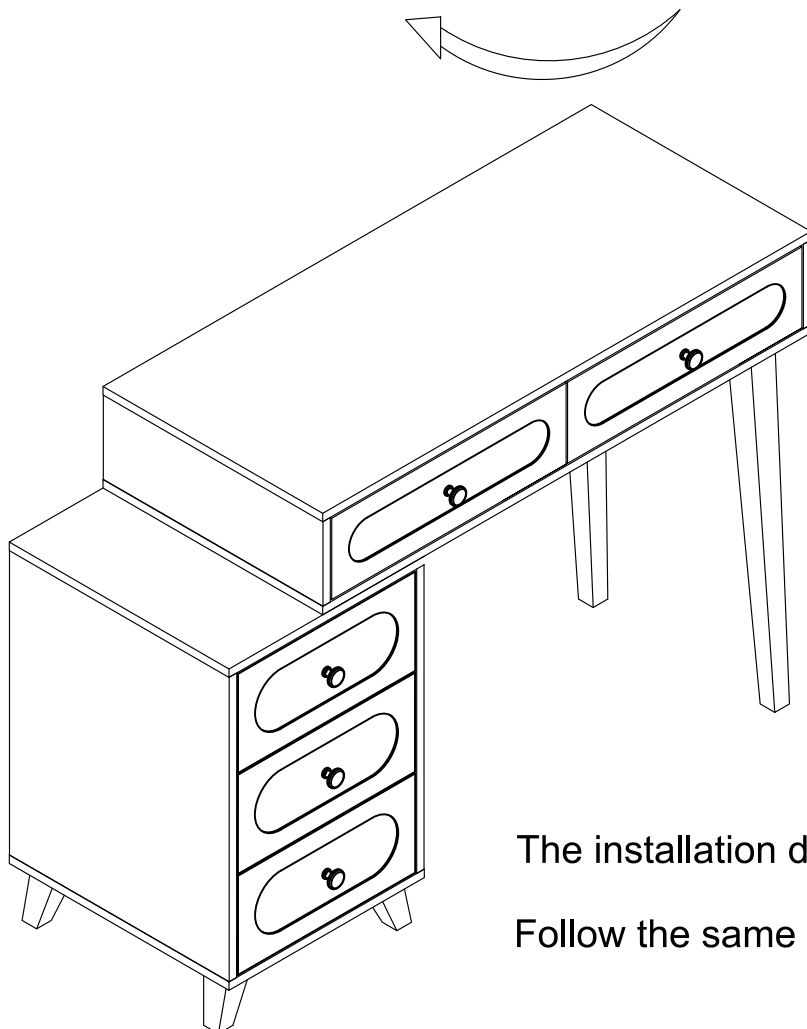
I	D
	
6 pcs	Ø3.5x14mm 6 pcs



24




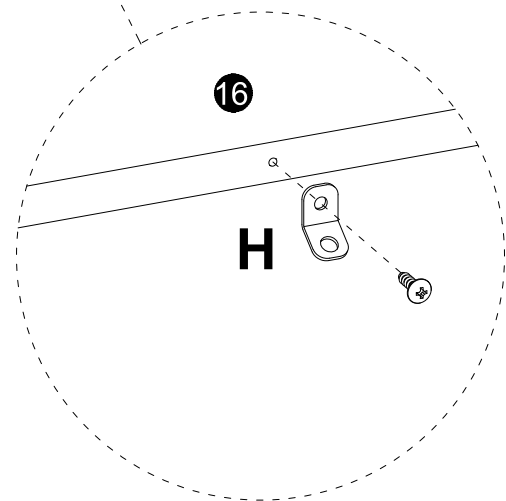
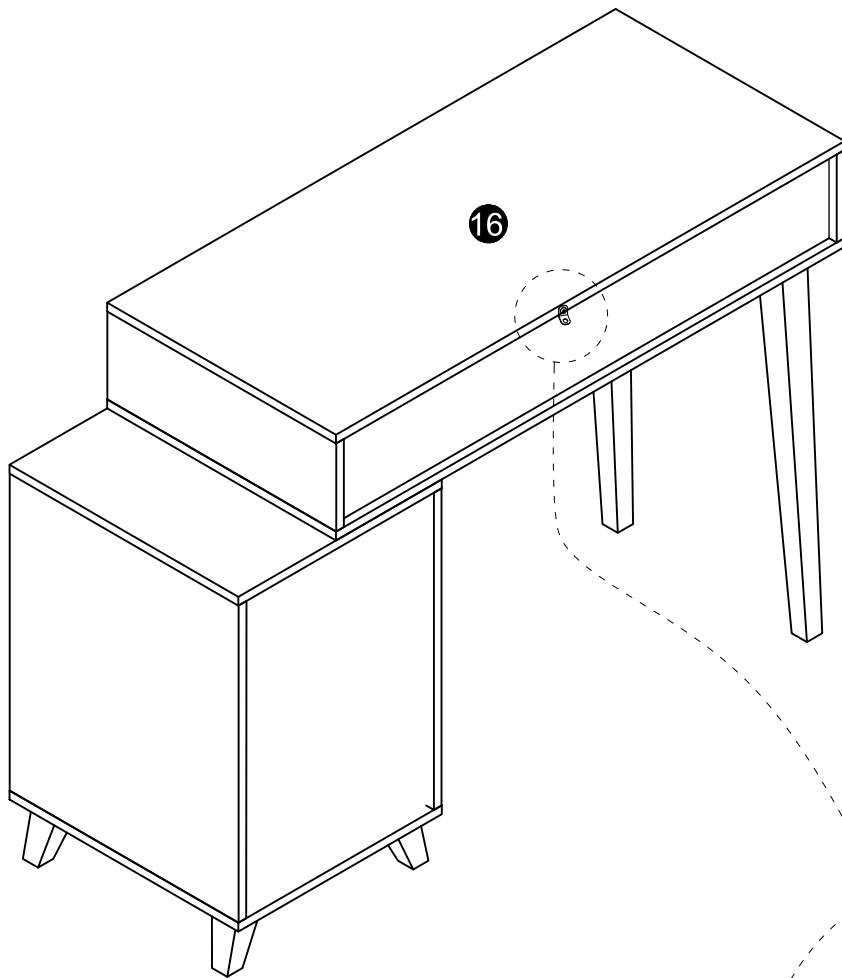
25



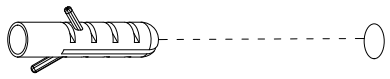
The installation direction can be adjusted.
Follow the same installation method.

26

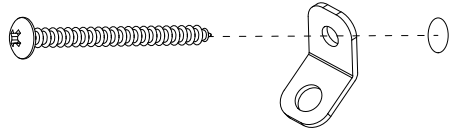
H

1 pc



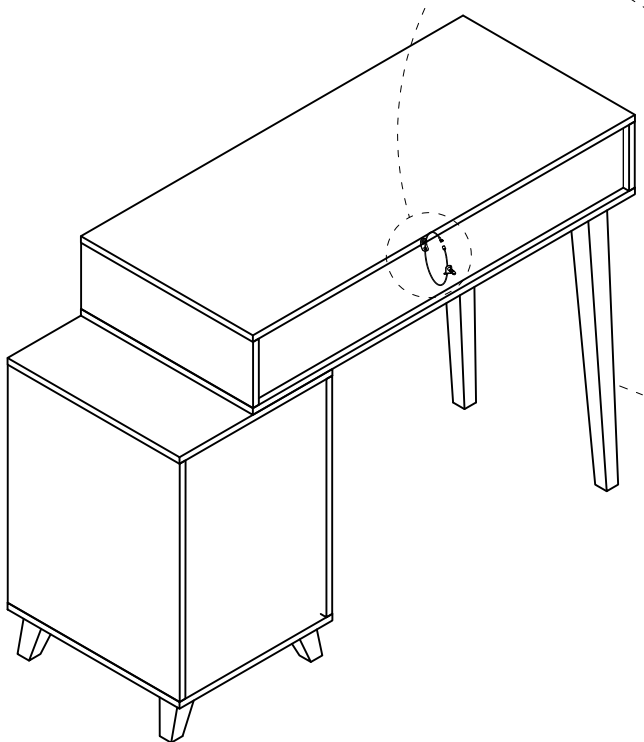
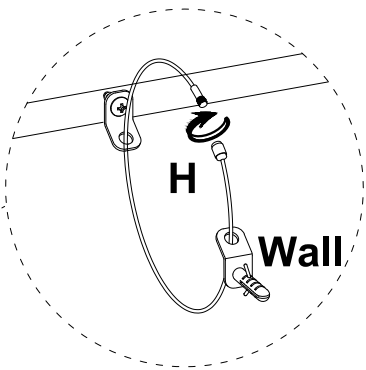
Step1 **Wall**



Step2



Step3



Thank you for your support !

