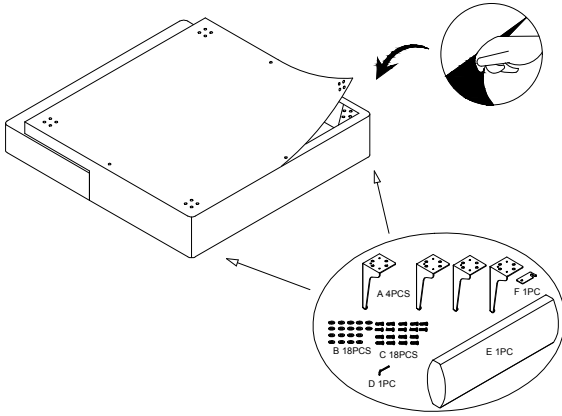
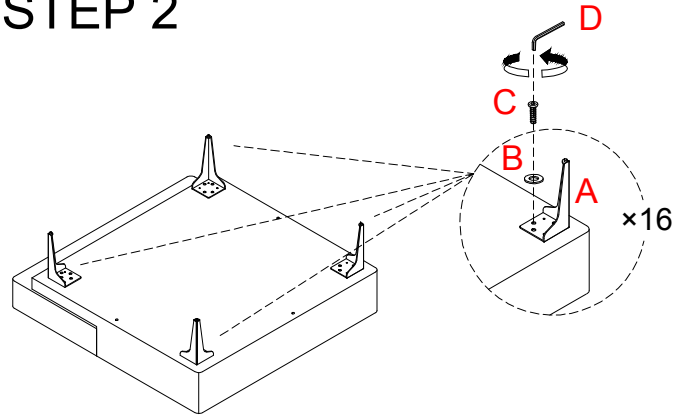


# ASSEMBLY INSTRUCTION

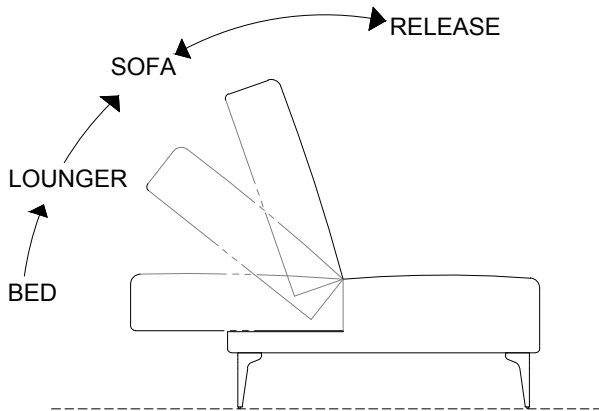
## STEP 1



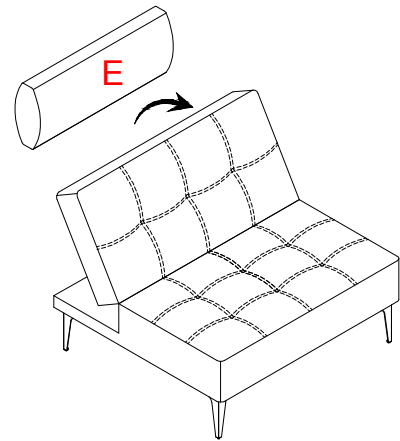
## STEP 2



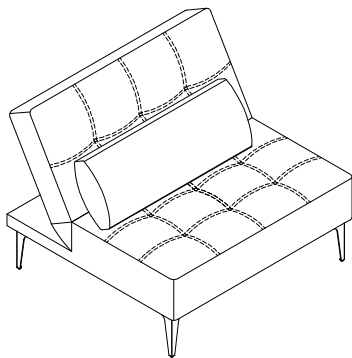
## STEP 3



## STEP 4

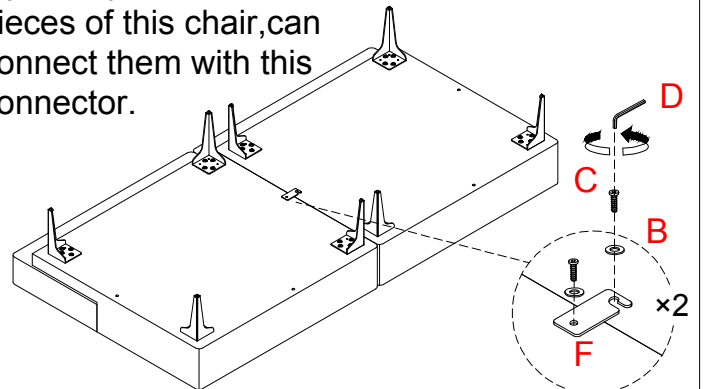


## STEP 5

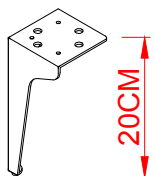


## STEP 6

If you buy two or more pieces of this chair, can connect them with this connector.



A:4 PCS



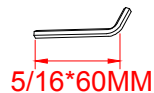
B:18PCS



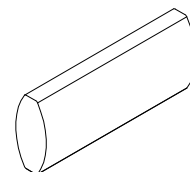
C:18 PCS



D:1 PC



E:1 PC



F:1 PC

