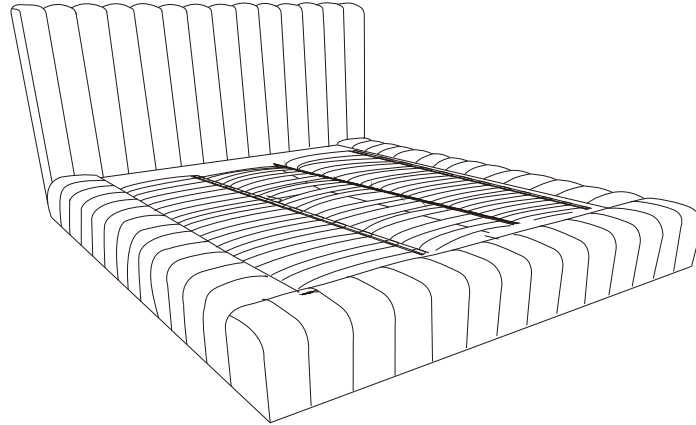


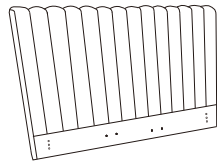
# ASSEMBLY INSTRUCTIONS

NO.: 1032 KING



## spare parts 1

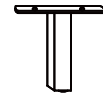
**A**



Headboard

x1

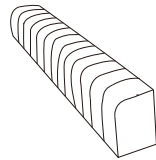
**E**



Metal Leg Support

x4

**B**



Footboard

x1

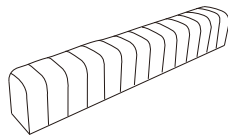
**F**



Slat

x39

**C**



Side Rail

x2

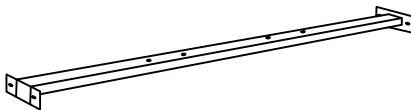
**G**



Rails plastic slat

x26

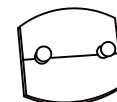
**D**



Center Support bar

x2





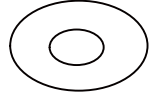

**H**



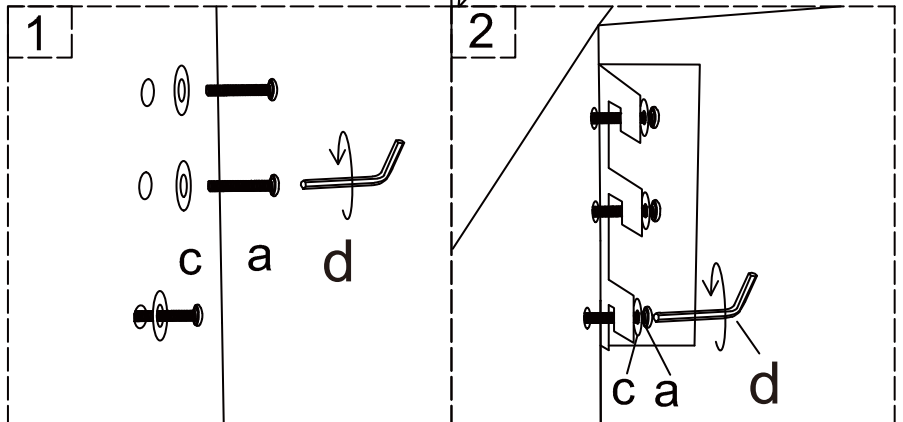
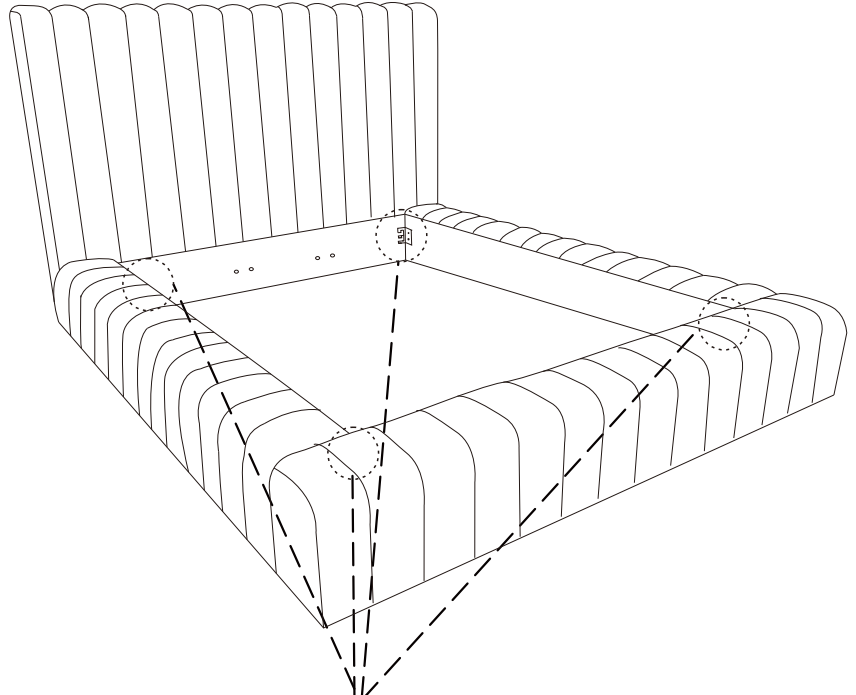
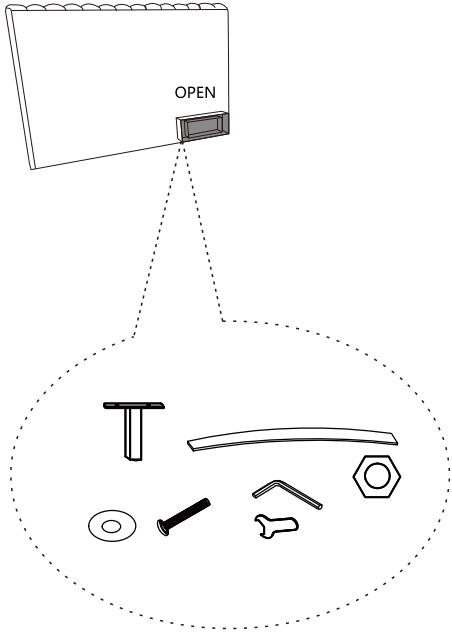
Center plastic slat

x26

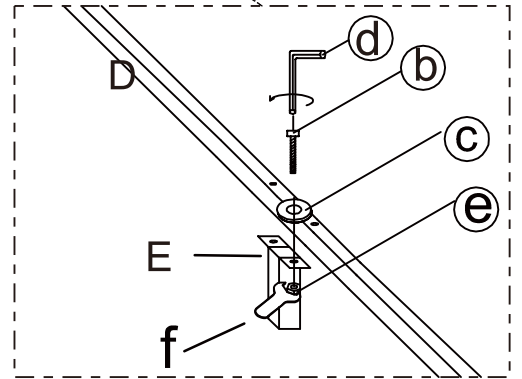
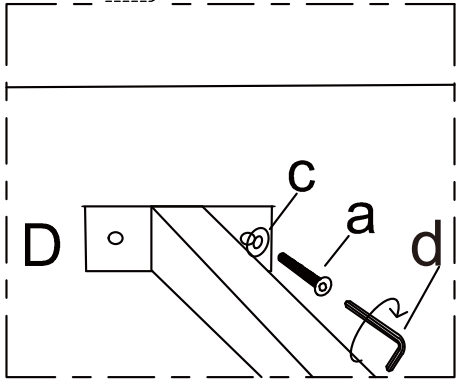
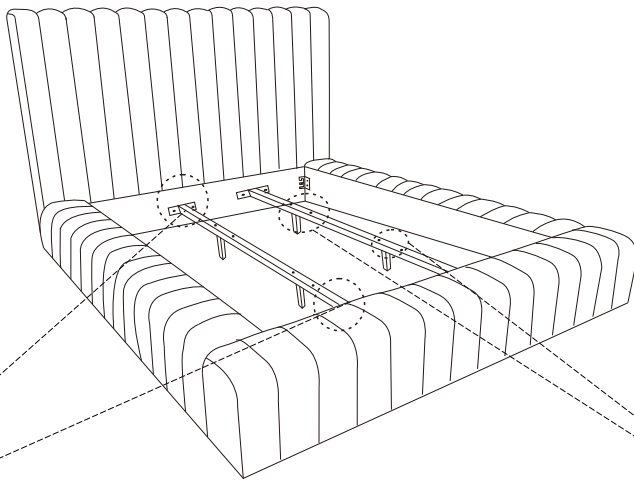
# spare parts 2

a	 5/16*30mm x16	d	 M5 x1
b	 5/16*50mm x8	e	 ø5/16" X8
c	 5/16 x24	f	 NUT x1

setp:1



setp:2



setp:3

