

# 60041 DINING TABLE ASSEMBLY INSTRUCTION

Thank you for purchasing this quality product. Be sure to check all packing material carefully for small parts which may have come loose inside the carton during shipment. Separate, identify and count all parts and hardware. Compare with the parts list to be sure all parts are present.

**IMPORTANT : PLEASE READ INSTRUCTION BEFORE STARTING THE ASSEMBLY.**

**"DO NOT TIGHTEN SCREWS UNTIL COMPLETELY ASSEMBLED"**

**"DO NOT OVERTIGHT ANY HARDWARE"**

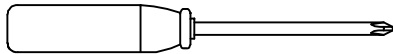
**WARNING : SMALL PARTS AND HARDWARE NOT FOR CHILDREN UNDER 3 YEARS. ADULT ASSEMBLY REQUIRED.**

## TABLE OF CONTENTS

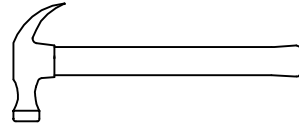
HARDWARES LIST	PAGE 2
PARTS LIST	PAGE 3
PARTS' LOCATION	PAGE 4
ASSEMBLY STEPS	PAGE 5-8
ASSEMBLY COMPLETED	PAGE 8

## ASSEMBLY TOOLS REQUIRED

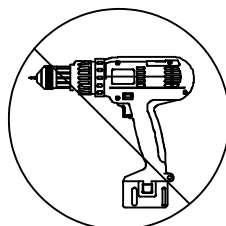
### 1. Screwdriver (not provide)



### 2. Hammer (not provide)

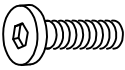



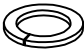




Skip the power drill this time.



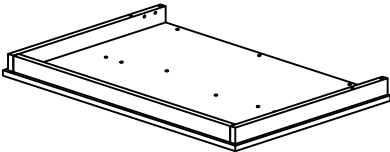
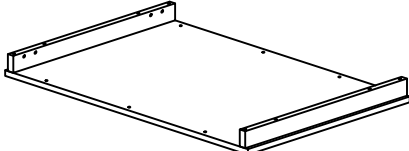
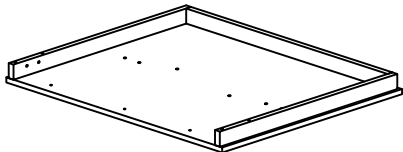
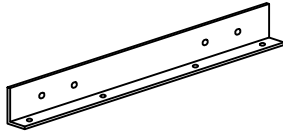
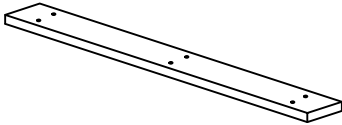
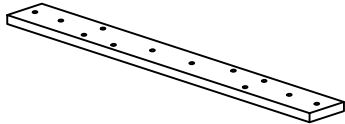
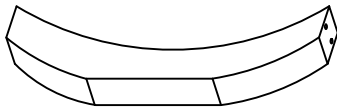
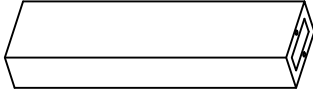
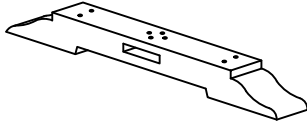
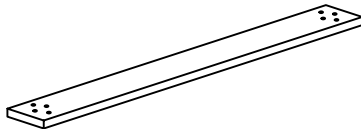
# 60041 DINING TABLE ASSEMBLY INSTRUCTION

## HARDWARES LIST (BOX 2)

ITEM	DESCRIPTION	DRAWING	QTY
A	JCBC SCREW M6 x 15MM		32 PCS
B	JCBC SCREW M6 x 30MM (BLACK)		24 PCS
C	JCBC SCREW M6 x 45MM		16 PCS
D	JCBC SCREW M6 x 90MM		12 PCS
E	SPRING WASHER M6 x 12MM		52 PCS
F	FLAT WASHER M6 x 19MM		52 PCS
G	M4 ALLEN KEY (100MM)		1 PC

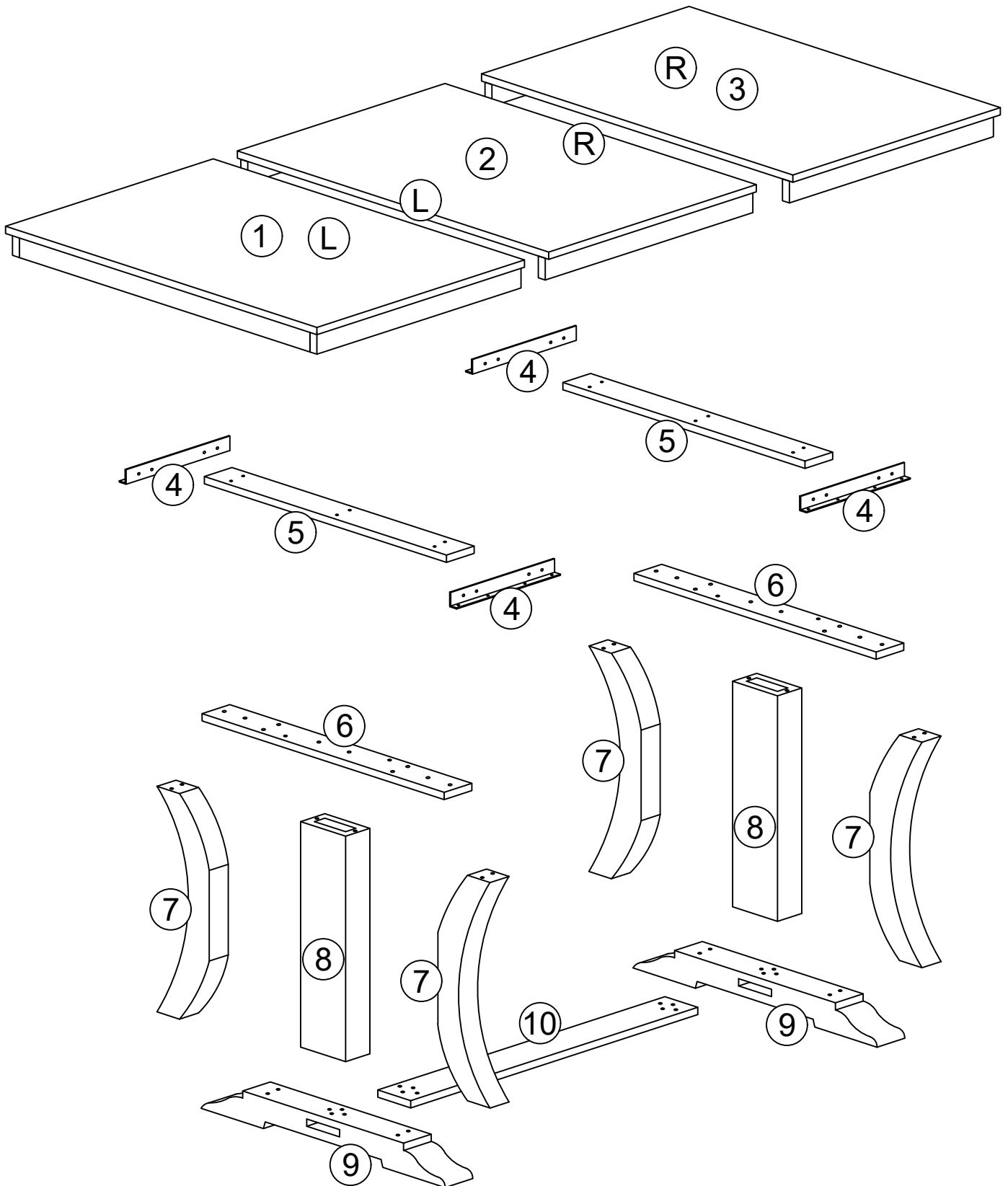
# 60041 DINING TABLE ASSEMBLY INSTRUCTION

## PARTS LIST

ITEM	DESCRIPTION	DRAWING	QTY
<b>BOX 1</b>			
1	TABLE TOP WITH LABEL "L"		1 PC
2	TABLE TOP (CENTER) WITH LABEL "L / R"		1 PC
3	TABLE TOP WITH LABEL "R"		1 PC
4	SUPPORT SIDE RAIL		4 PCS
5	CENTER SUPPORT		2 PCS
6	TABLE SUPPORT		2 PCS
7	PEDESTAL SUPPORT		4 PCS
<b>BOX 2</b>			
8	PEDESTAL		2 PCS
9	LEG		2 PCS
10	LEG SUPPORT		1 PC

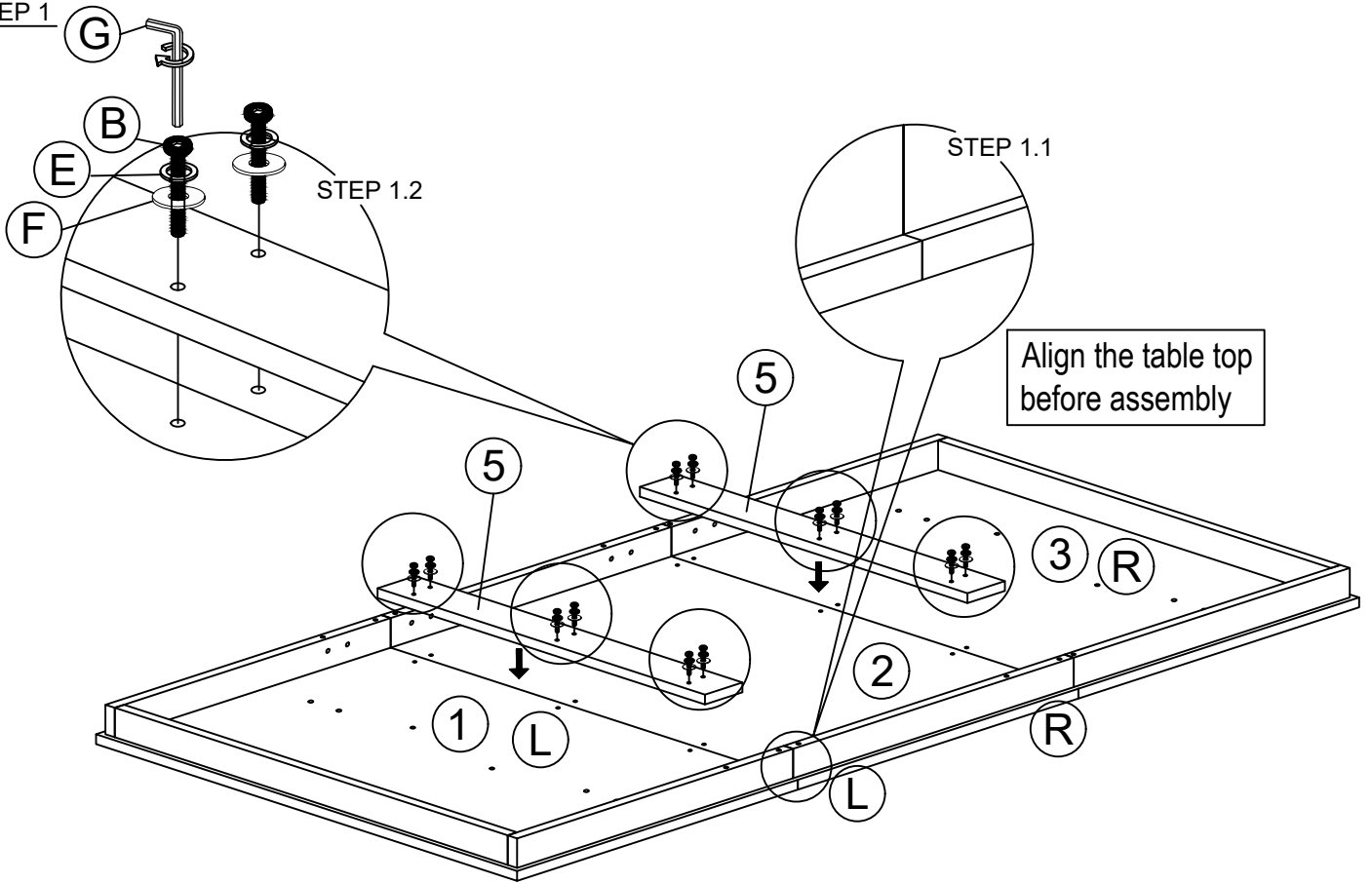
# 60041 DINING TABLE ASSEMBLY INSTRUCTION

## PARTS ' LOCATION

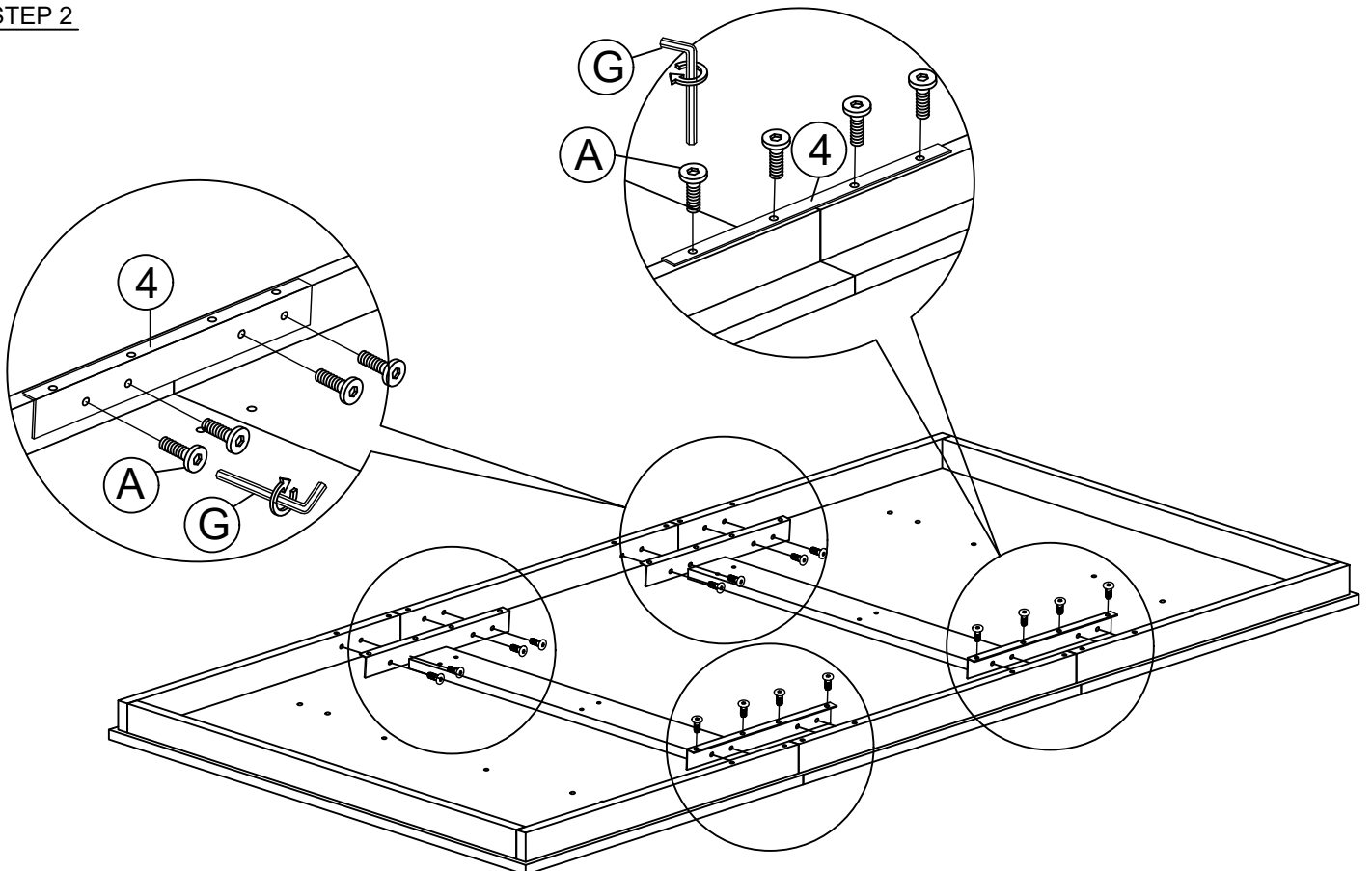


# 60041 DINING TABLE ASSEMBLY INSTRUCTION

## STEP 1

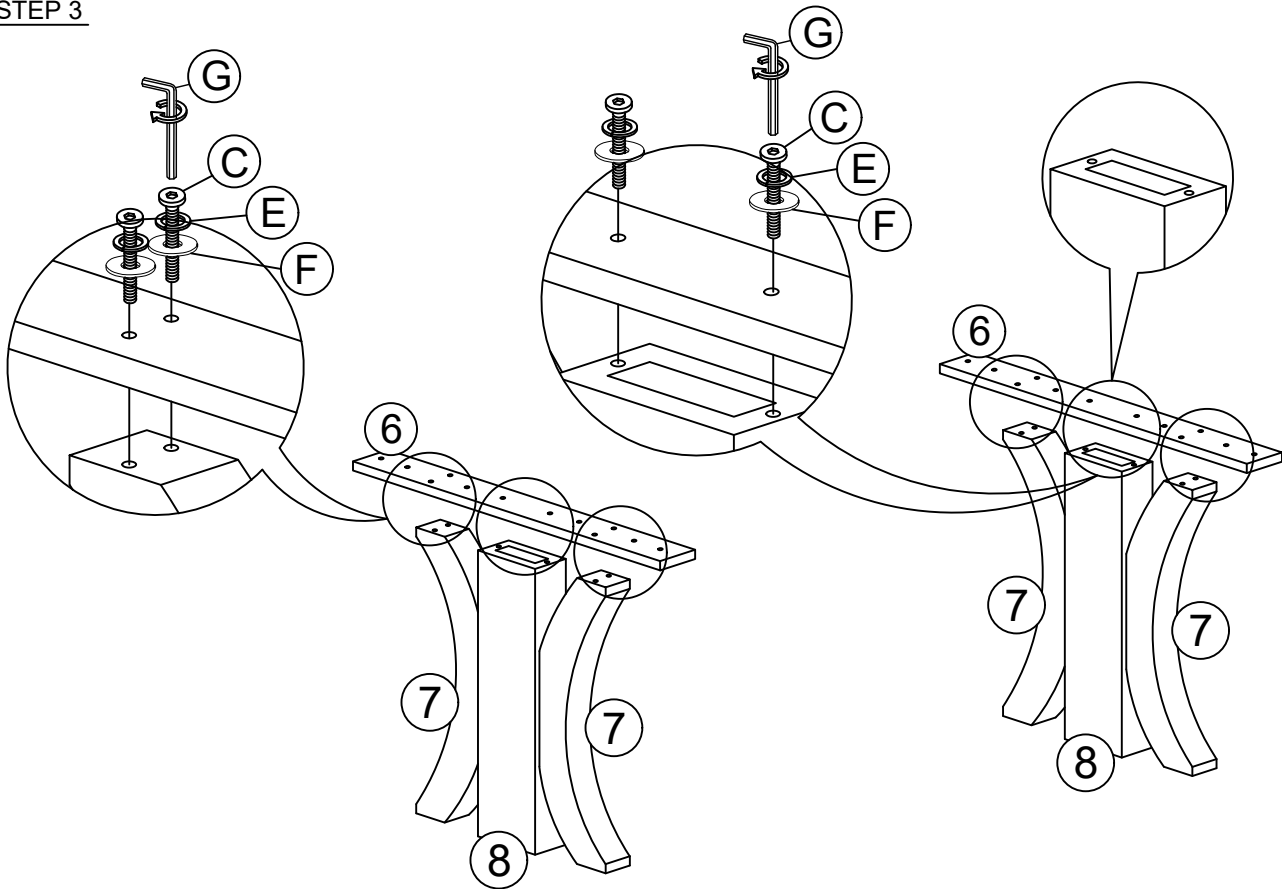


## STEP 2

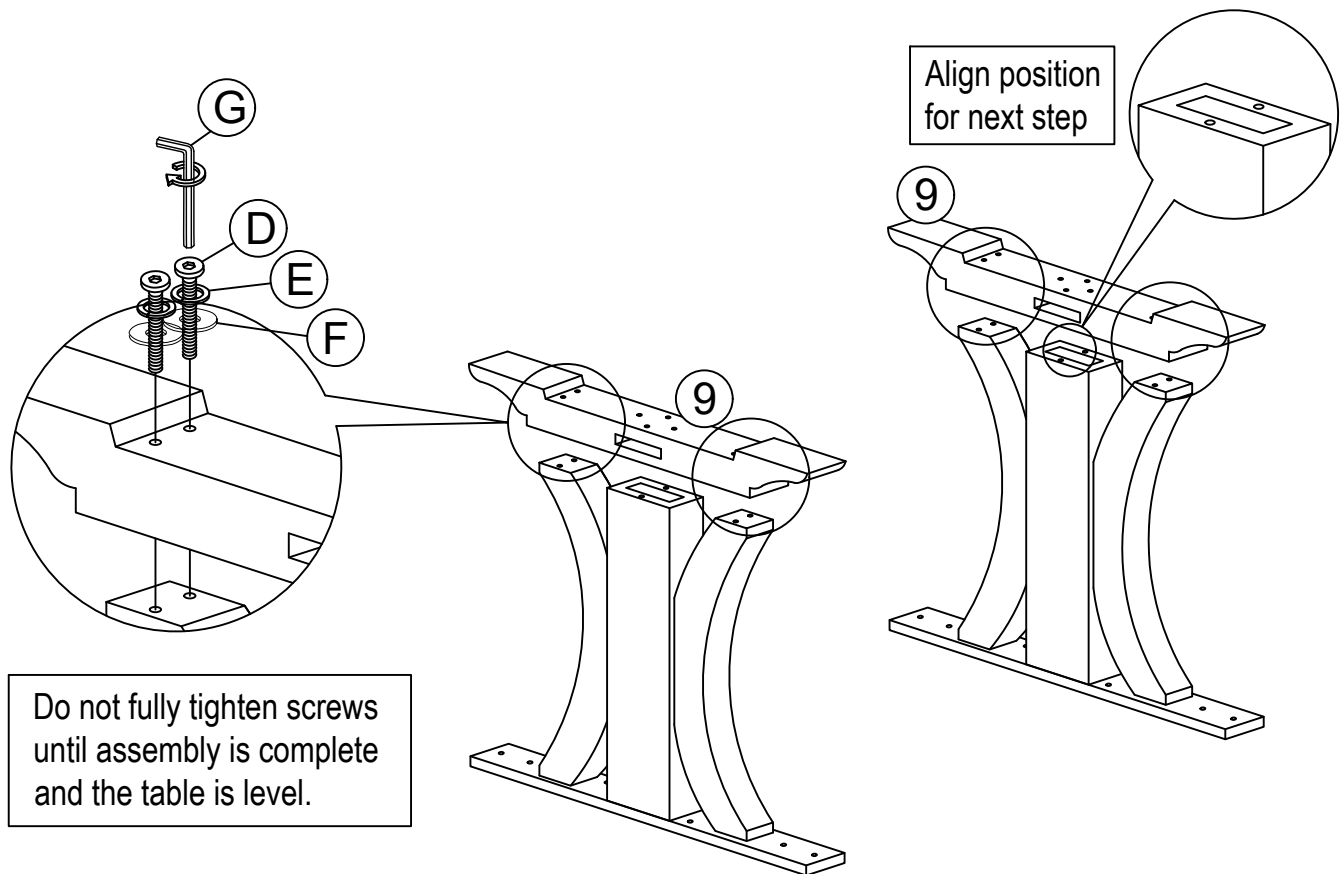


# 60041 DINING TABLE ASSEMBLY INSTRUCTION

## STEP 3

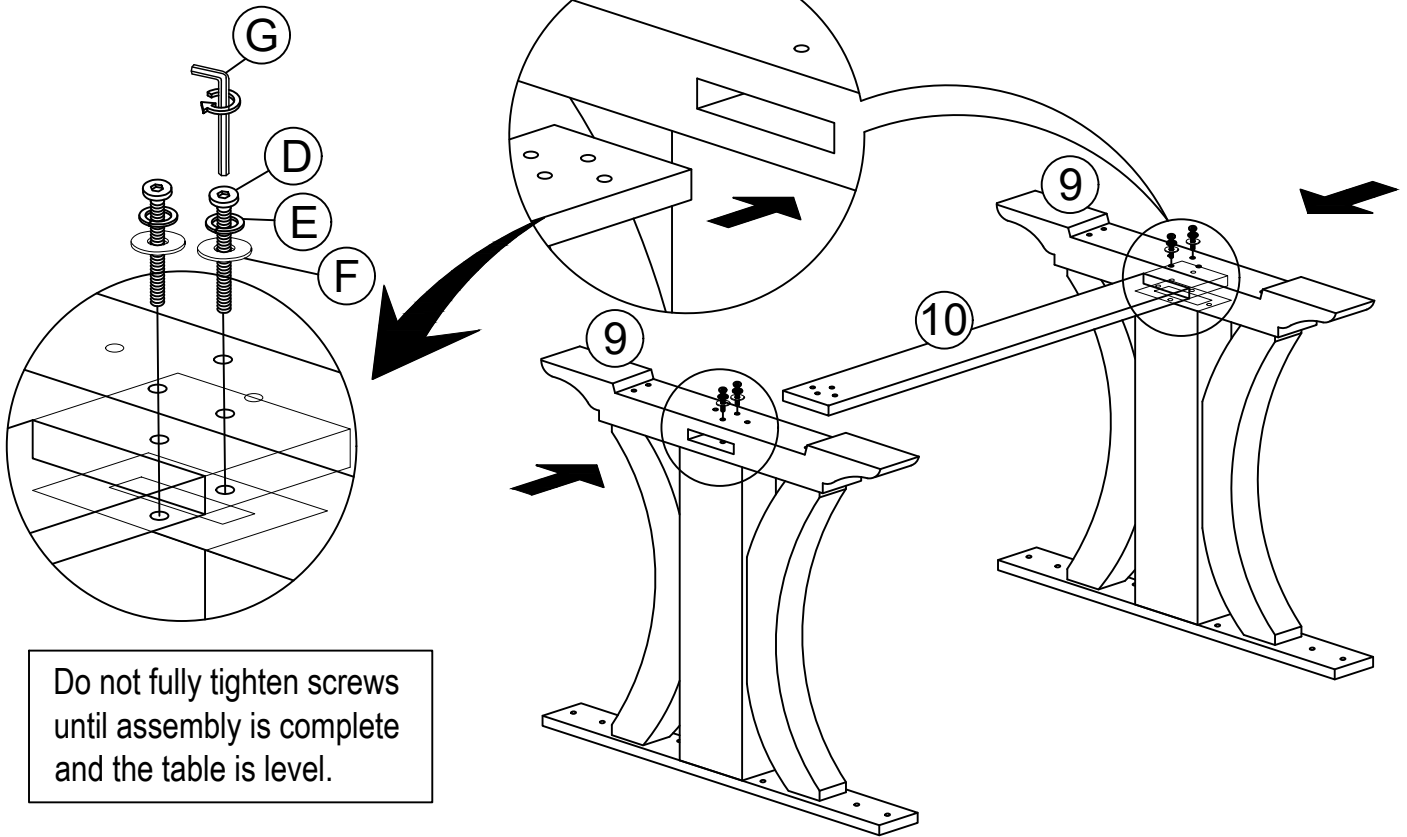


## STEP 4

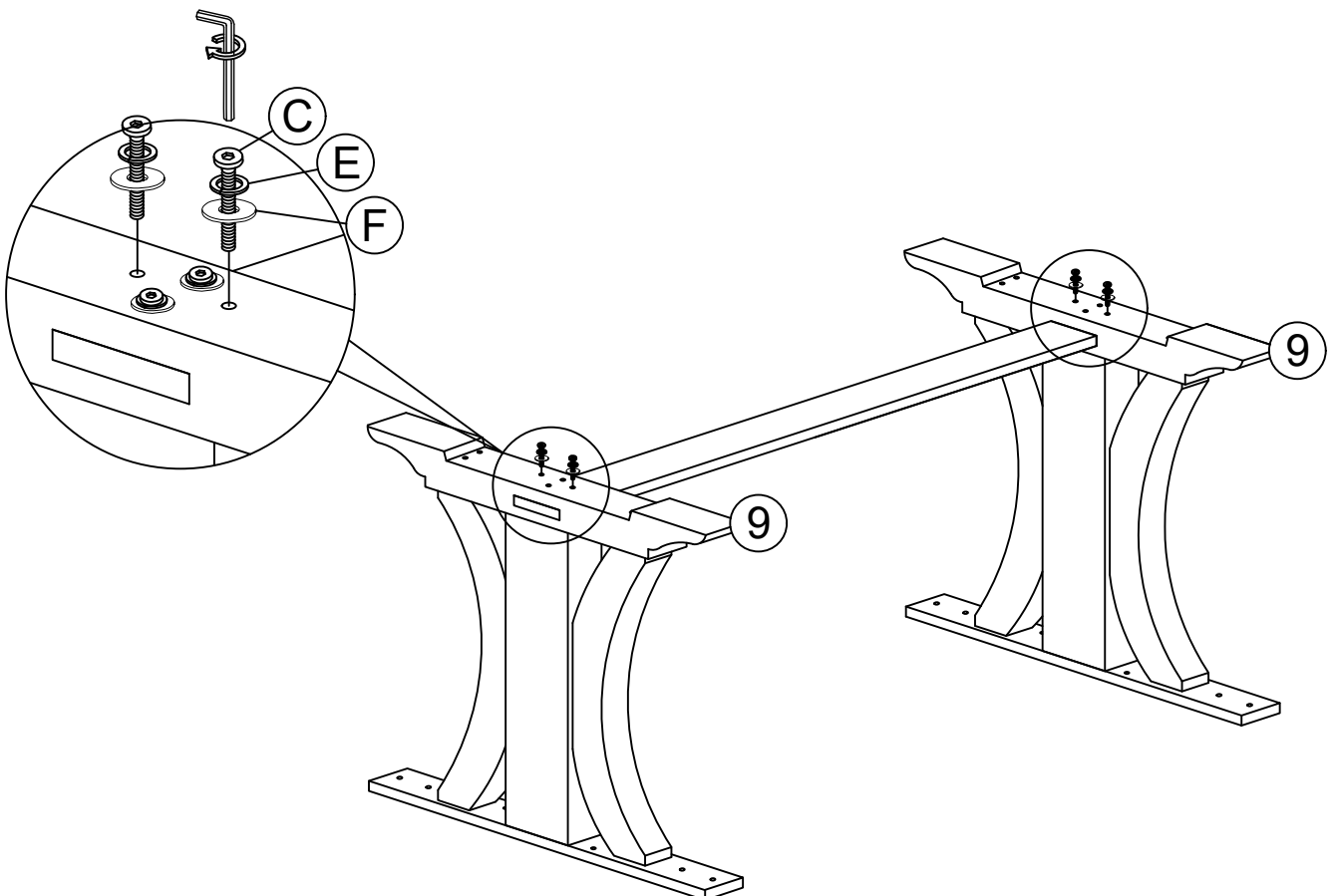


# 60041 DINING TABLE ASSEMBLY INSTRUCTION

## STEP 5

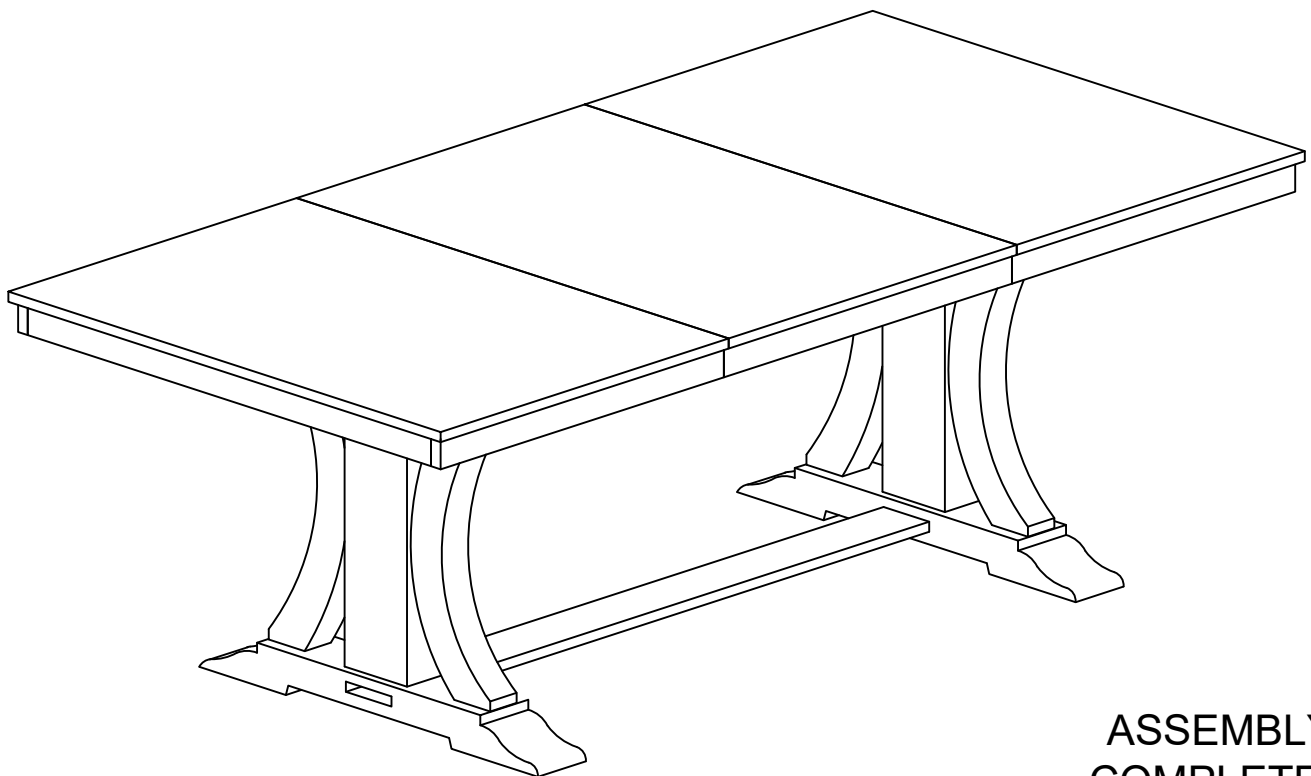
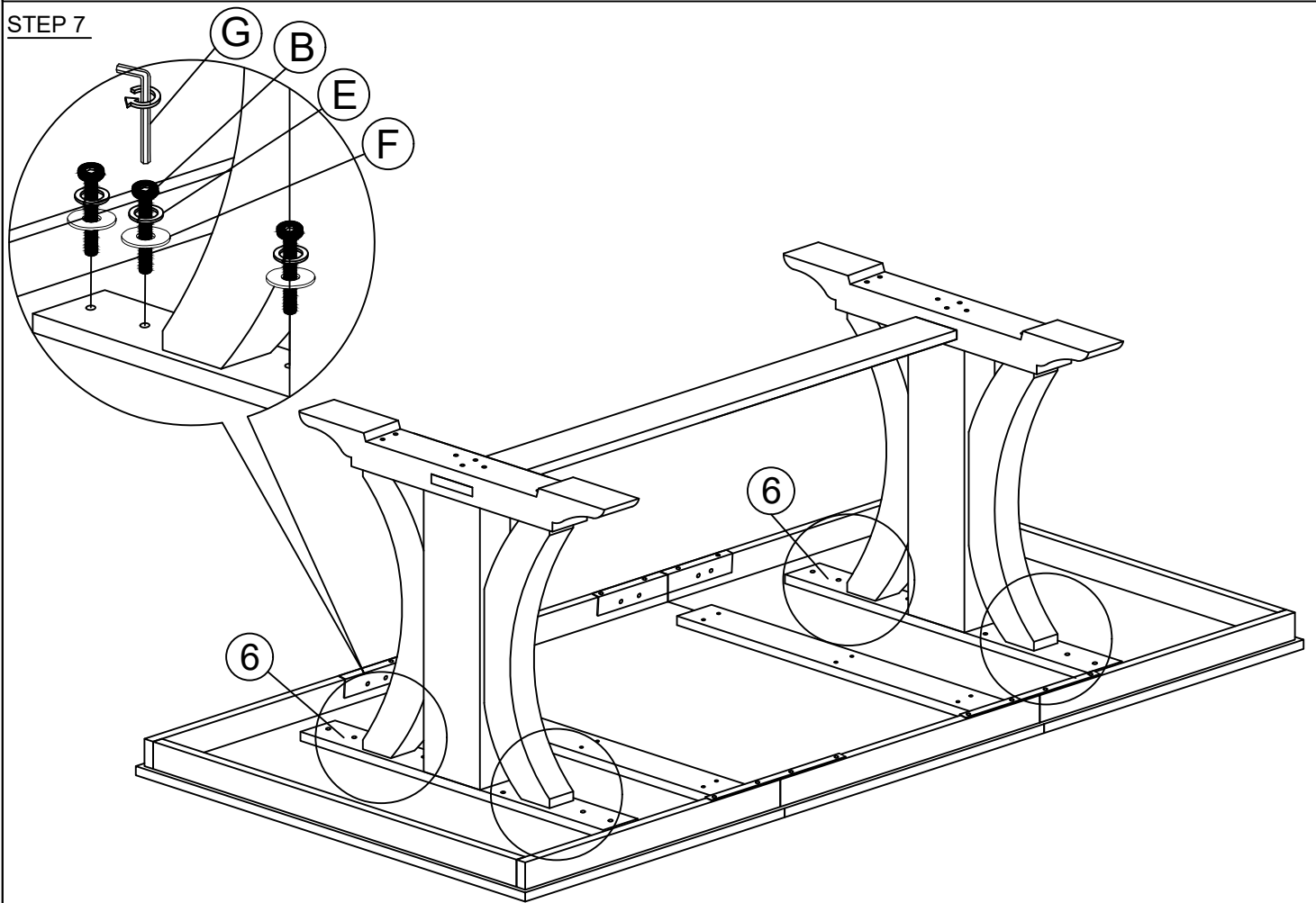


## STEP 6



# 60041 DINING TABLE ASSEMBLY INSTRUCTION

STEP 7



**ASSEMBLY  
COMPLETED**