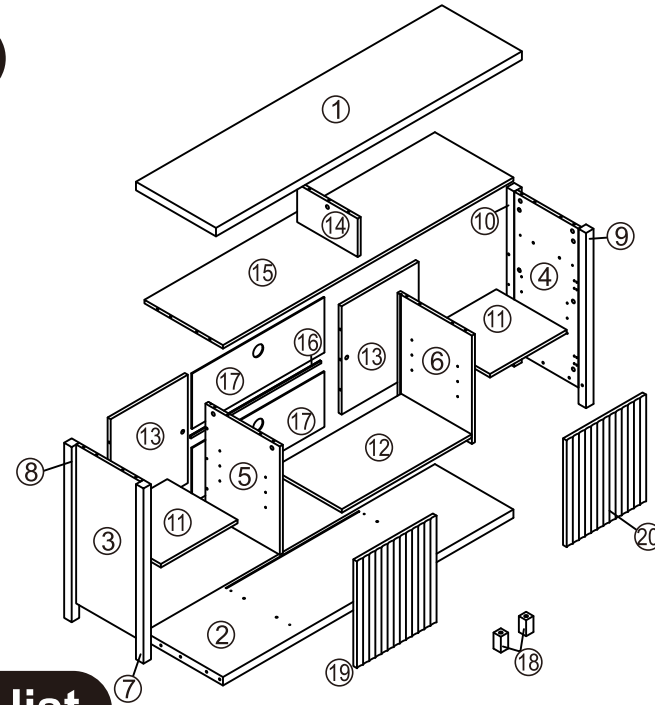



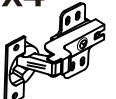







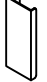


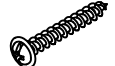





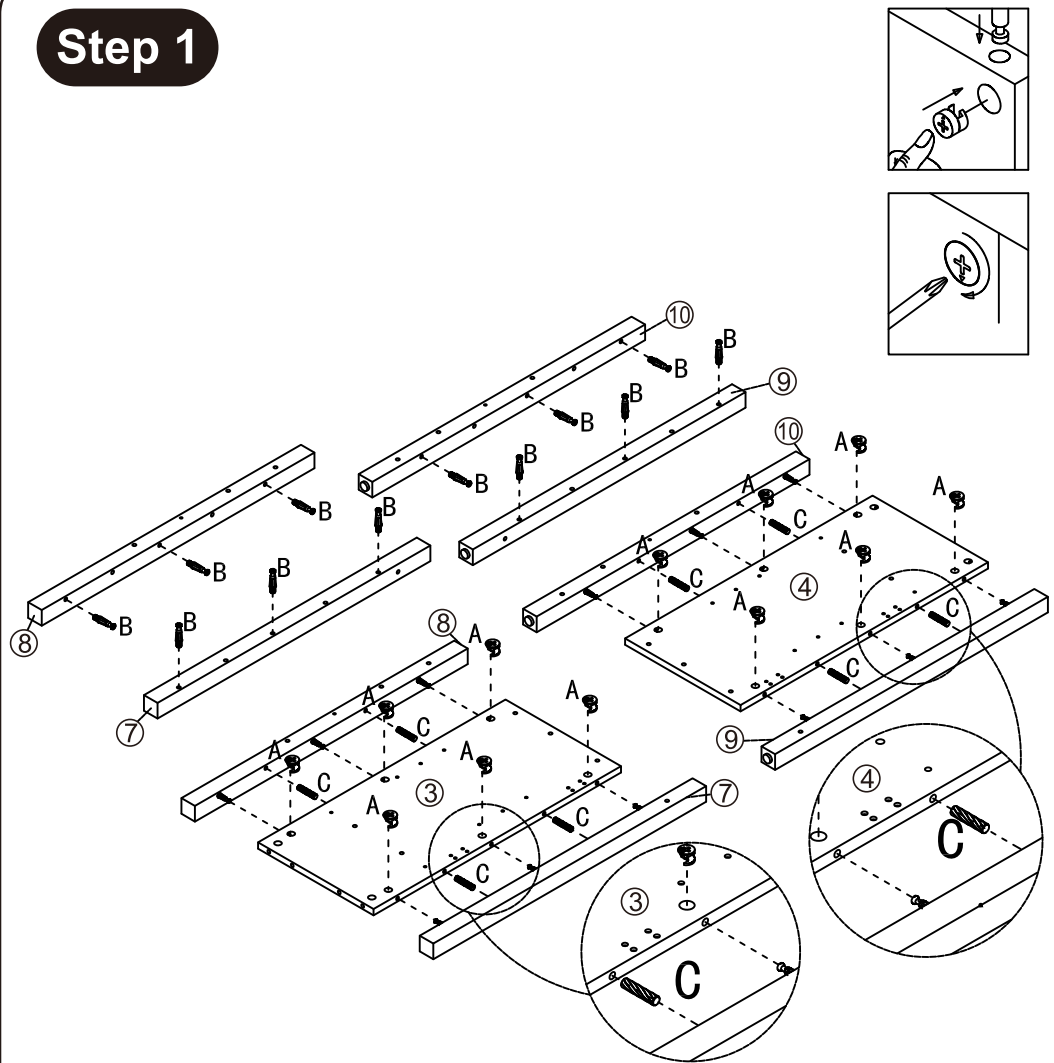
## Parts list



## Hardware list

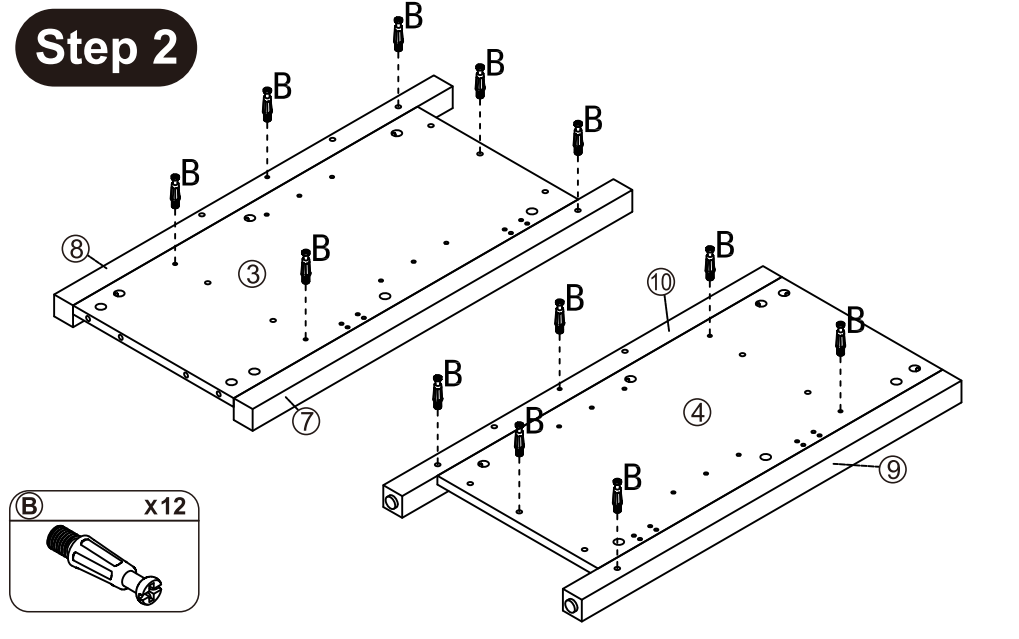
<b>A</b> x35 $\phi 15 \times 9.5\text{MM}$ 	<b>B</b> x35 $\phi 6 \times 24\text{MM}$ 	<b>C</b> x40 $\phi 8 \times 30\text{MM}$ 	<b>D</b> x4 	<b>E</b> x4 $\phi 4.2 \times 50\text{MM}$ 
<b>F</b> x12 	<b>G</b> x24 $\phi 4 \times 14\text{MM}$ 	<b>H</b> x4 $\phi 3.5 \times 12\text{MM}$ 	<b>I</b> x6 $\phi 3 \times 16\text{MM}$ 	<b>J</b> x2 
<b>K</b> x6 	<b>L</b> x2 	<b>M</b> x2 	<b>N</b> x2 	<b>O</b> x2 $\phi 4 \times 35\text{MM}$ 
<b>P</b> x2 $\phi 4 \times 15\text{MM}$ 	<b>Q</b> x1 $\phi 4 \times 40\text{MM}$ 	<b>R</b> x25 $\phi 20\text{MM}$ 		

# Step 1



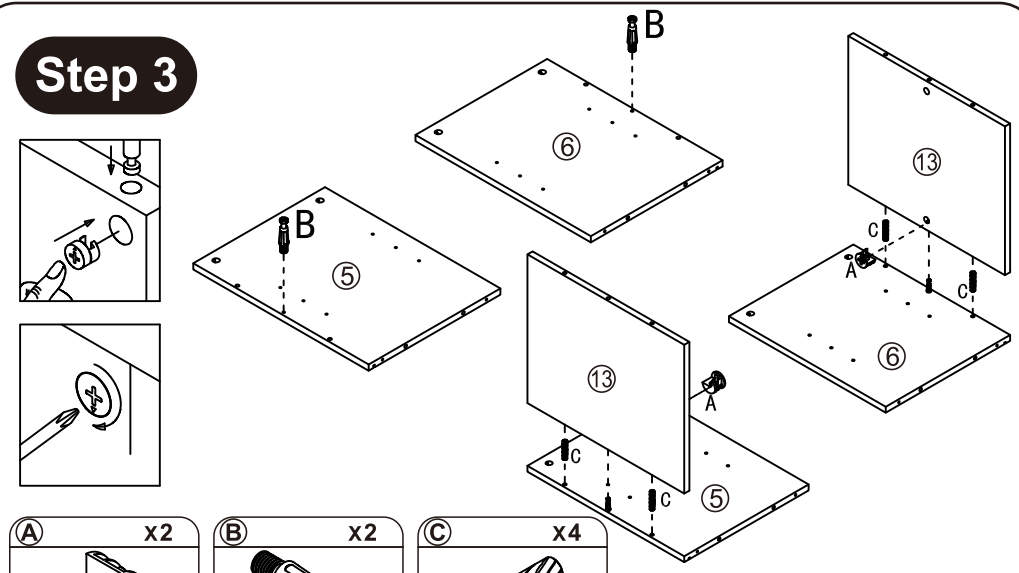
- A
x12
- B
x12
- C
x8

# Step 2



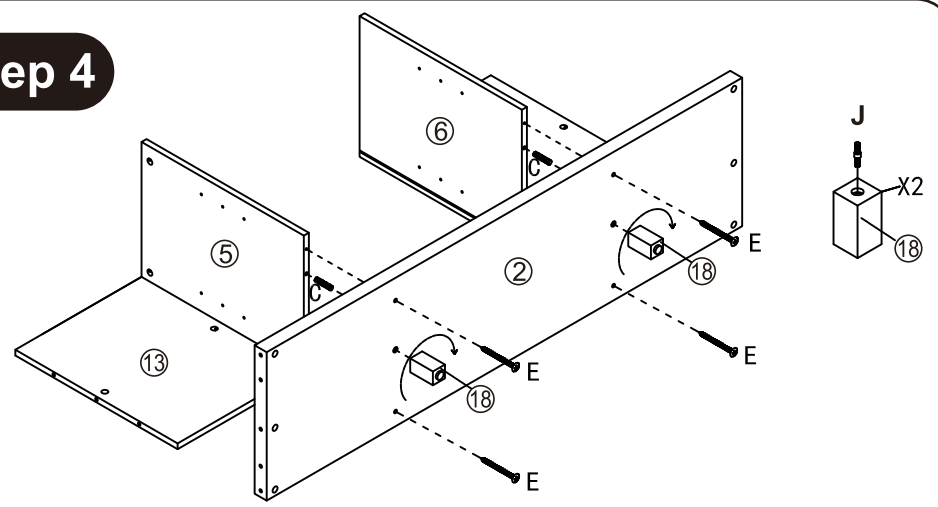
- B
x12

# Step 3



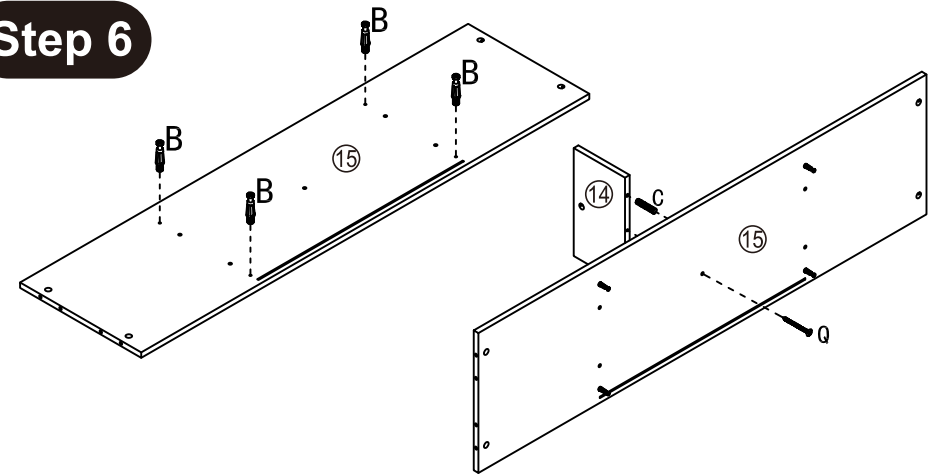
- A
x2
- B
x2
- C
x4

### Step 4



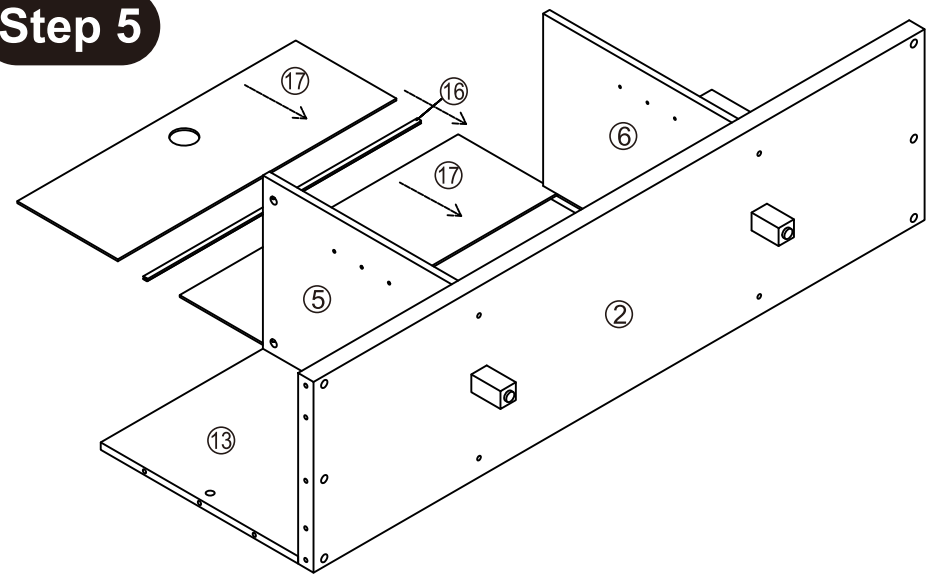
- (C) x4
- (E) x4
- (J) x2

### Step 6

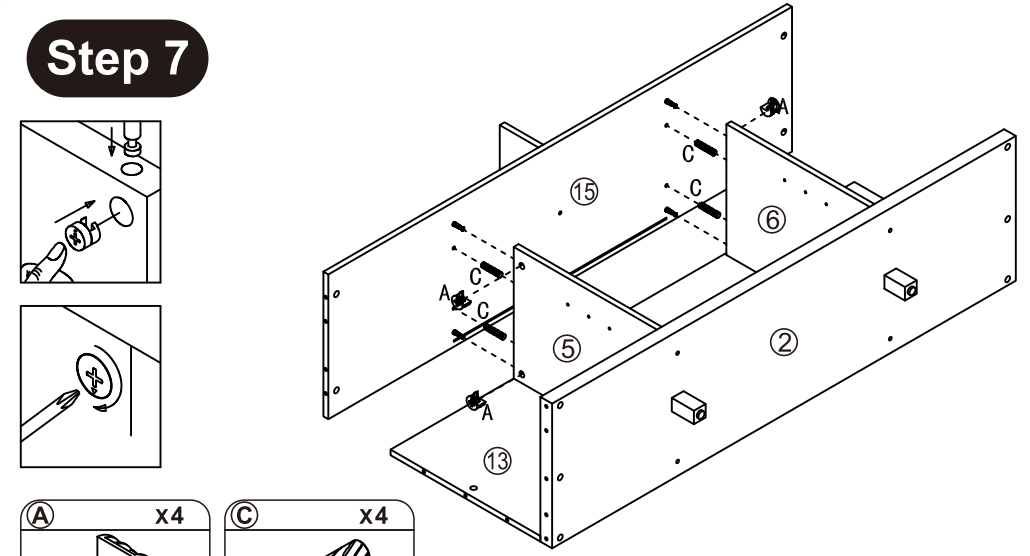


- (B) x4
- (C) x2
- (Q) x1

### Step 5

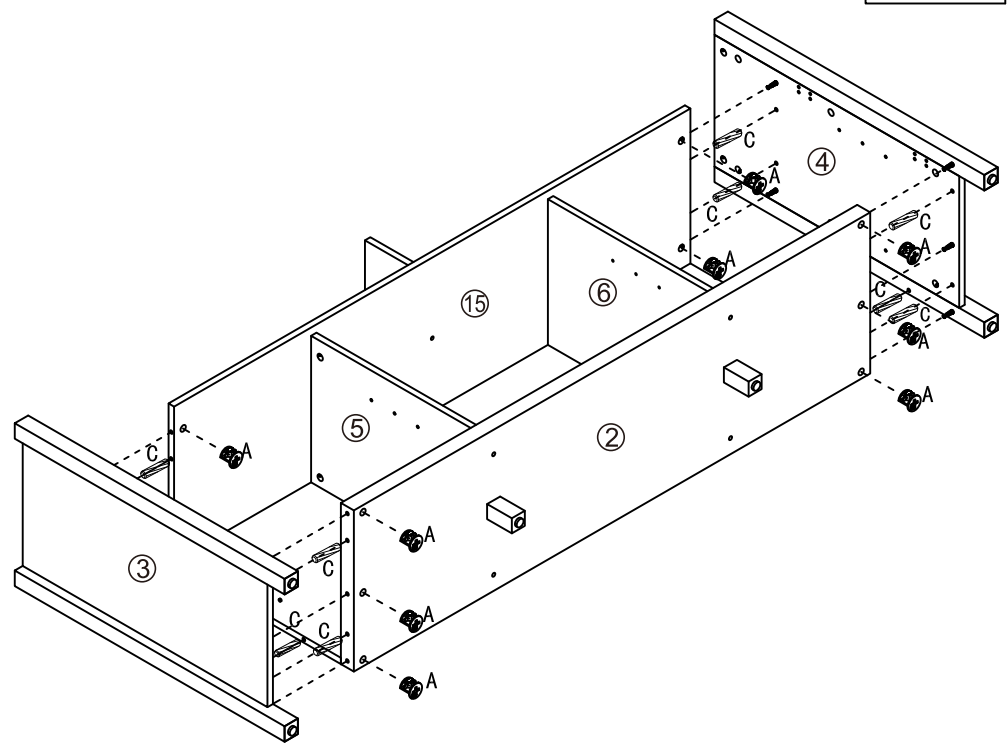
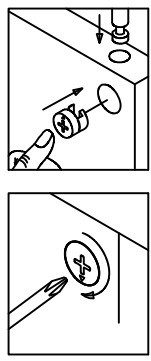


### Step 7



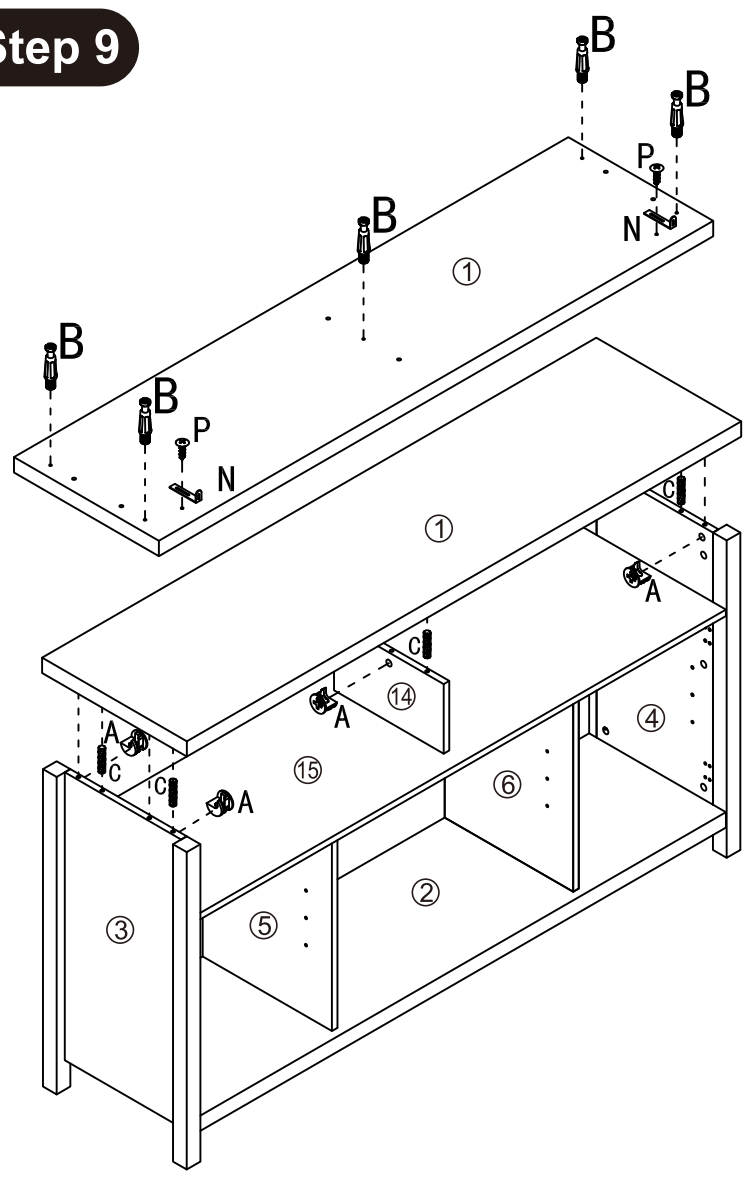
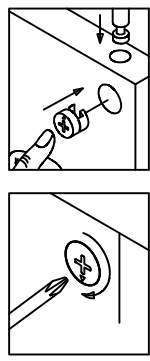
- (A) x4
- (C) x4

# Step 8



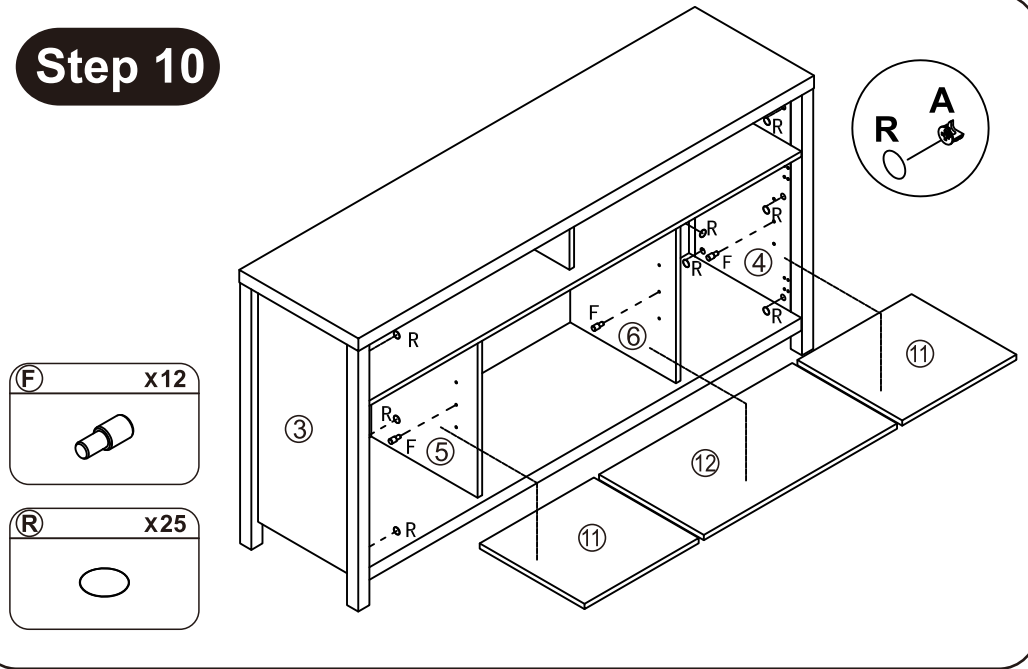
- A x12
  - C x12
- 
- 

# Step 9

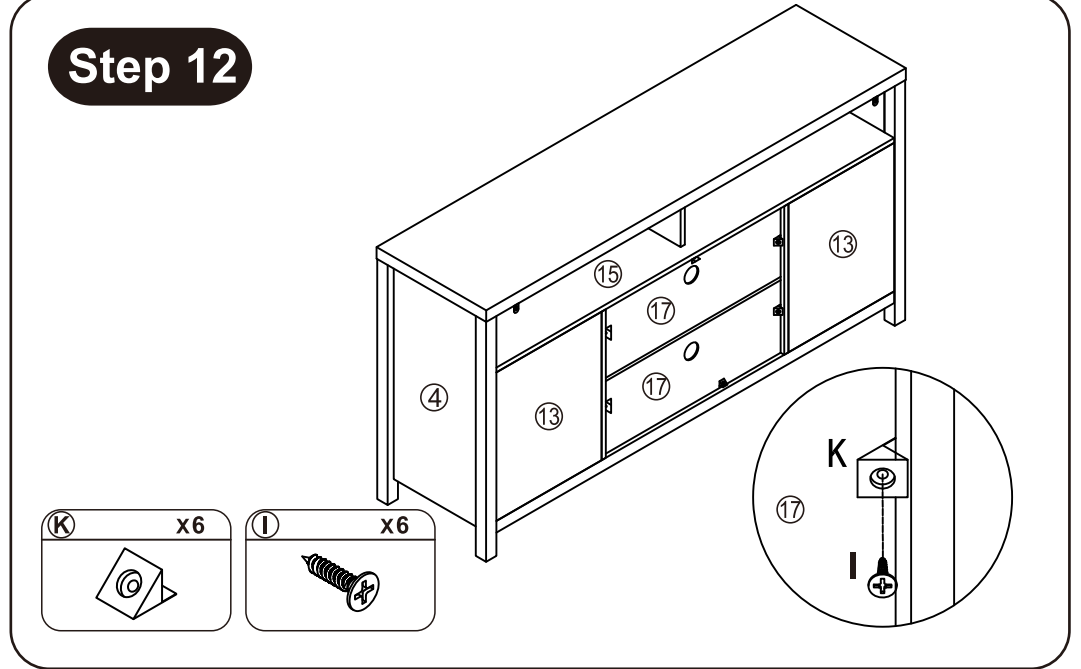


- A x5
  - B x5
  - C x6
  - N x2
  - P x2
- 
- 
- 
- 
-

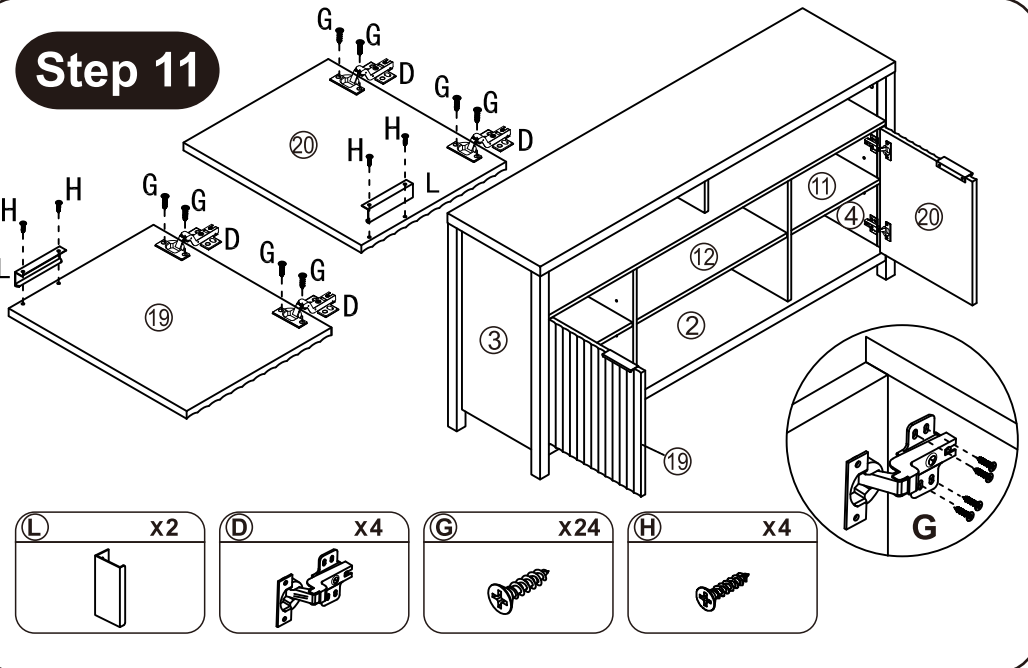
### Step 10



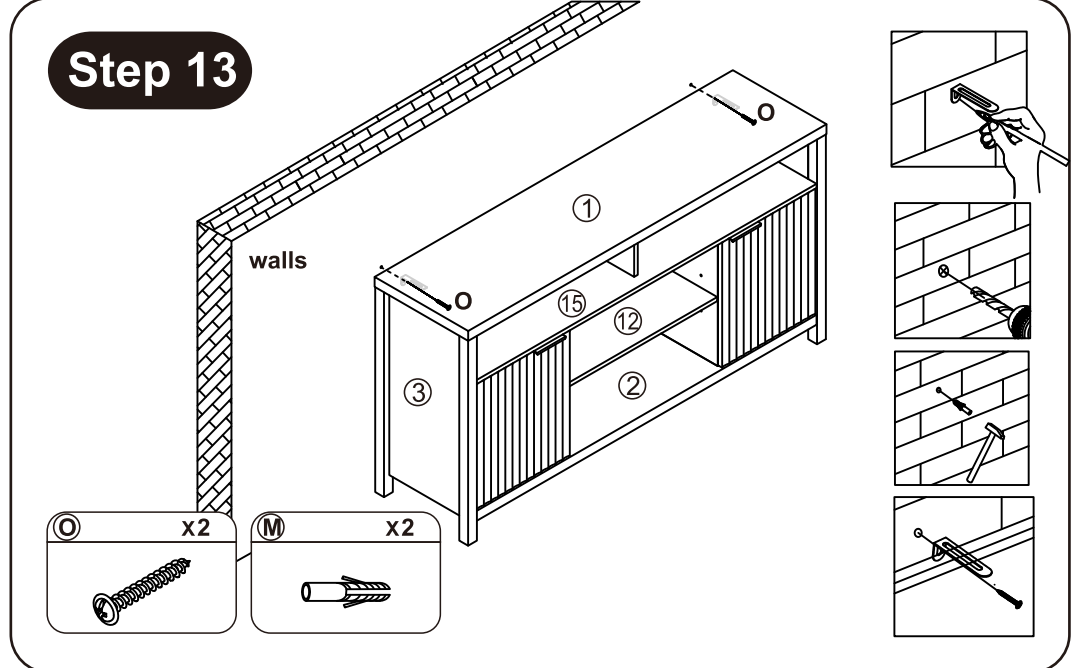
### Step 12



### Step 11



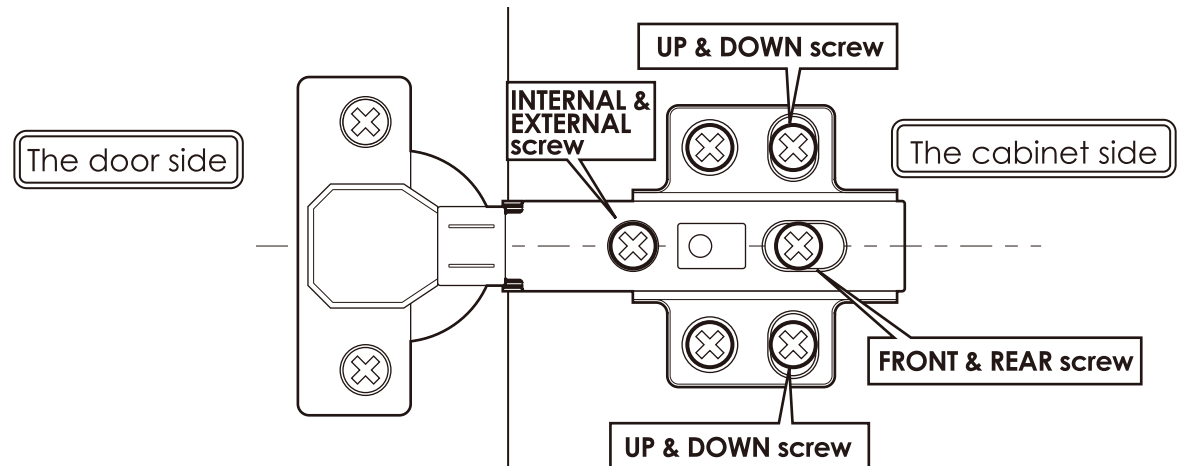
### Step 13



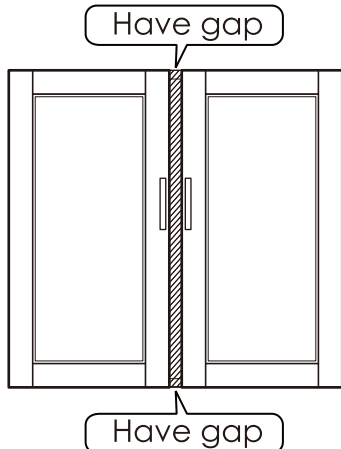
# Adjusting the door

- Before adjusting the hinge, please check whether the cabinet is skewed.
- If the skew can not be repaired, please remove the anti-tipping device first, then adjust the cabinet to vertical position.
- Please adjust the hinge with the door open.
- Please operate it with more than 2 people, one person holds the door and the other one adjusts the screw.
- Have trouble adjusting the door? Please check out our video on adjusting the door via our website or contact

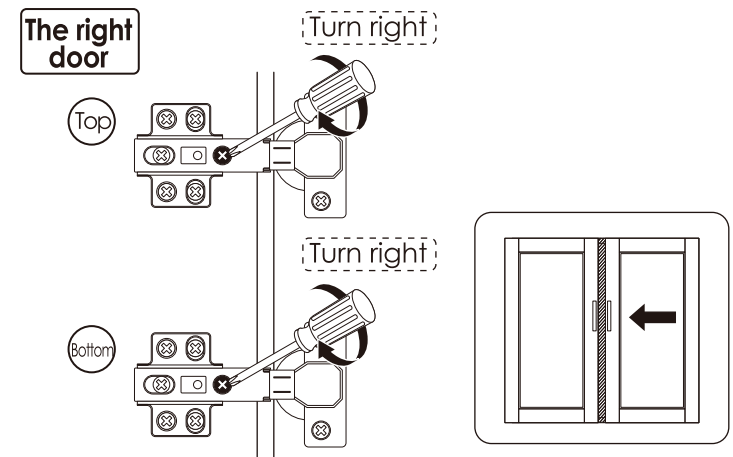
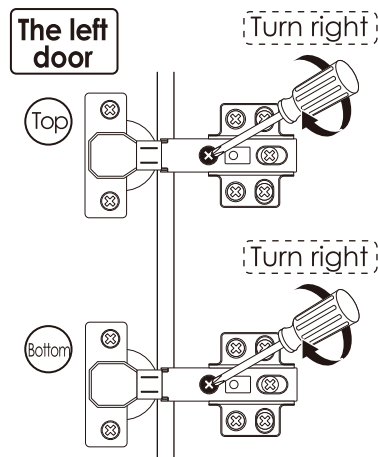
## Components Name



### Obvious gaps between doors or Doors don't look closed



1 Turn "internal & external screw" to the right can make the door approach inside. Please adjust the doors little by little.



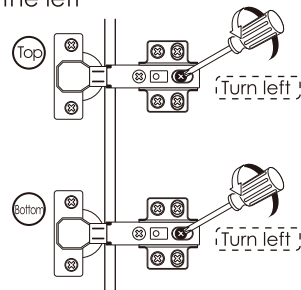
※ If the 2 doors are overlap, please turn the "internal & external screw" to the left.

### When door is crooked



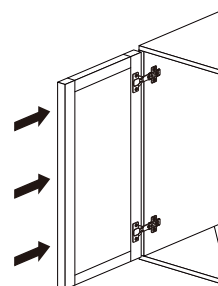
Please take the following steps to adjust first.

- 1 Rotate the "front and rear screws" to the left

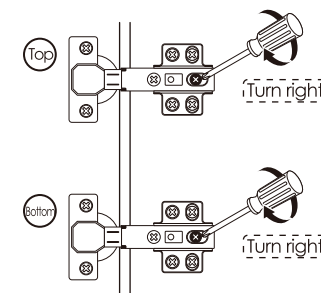


※ After adjusting the "front and rear screw", the door still does not change, please turn the "internal & external screw" to the right Slightly.

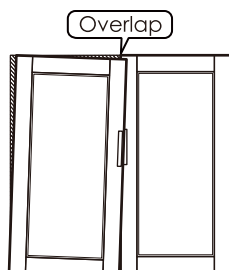
- 2 Push the door to the cabinet



- 3 Rotate the "front and rear screws" to the right

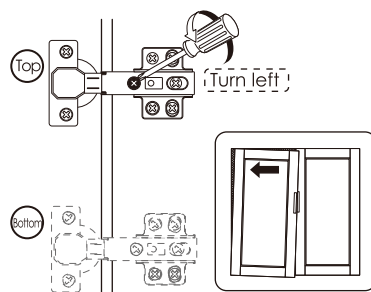


### When door is leaning

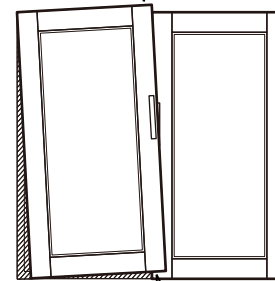


Protruding to the underside

- 1 Turn "internal & external screw" to the left can make the top of the door tilted outward.

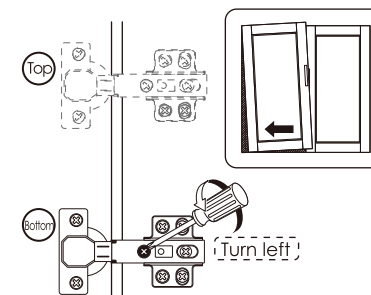


Protruding to the upside

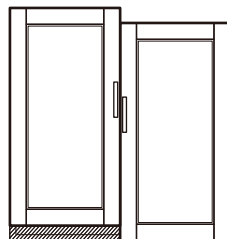


Overlap

- 1 Turn "internal & external screw" to the left can make the bottom of the door tilted outward.

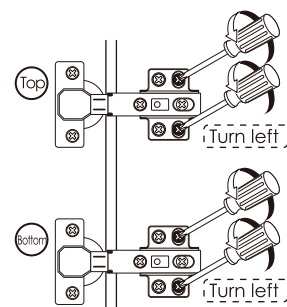


### When the door is higher on top

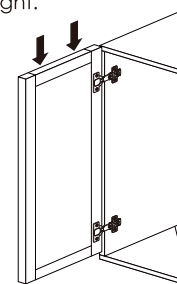


Have gap

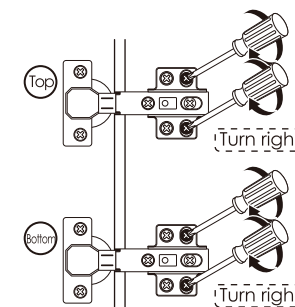
- 1 Turn "up & down screw" to the left



- 2 Lower the door's height so that 2 doors are of the same height.

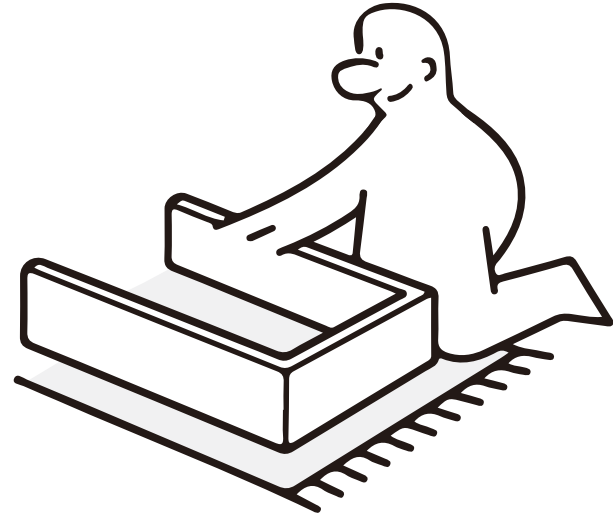
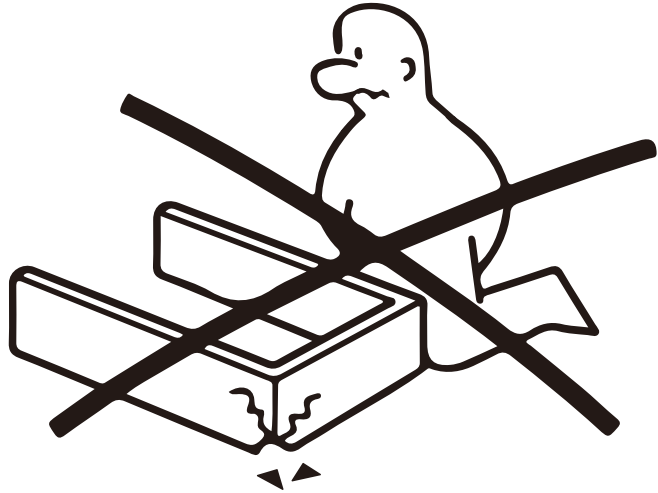


- 3 Turn "up & down screw" to the right



※ If the door is lower on bottom, please lift up the left door slightly on step 2

※ **Stay Scratch-Free: Safeguard Your Furniture by Assembling on Carpet.**



※ **Stuck in Assembly Limbo? Check out our website or contact our support team for quick solutions!**

