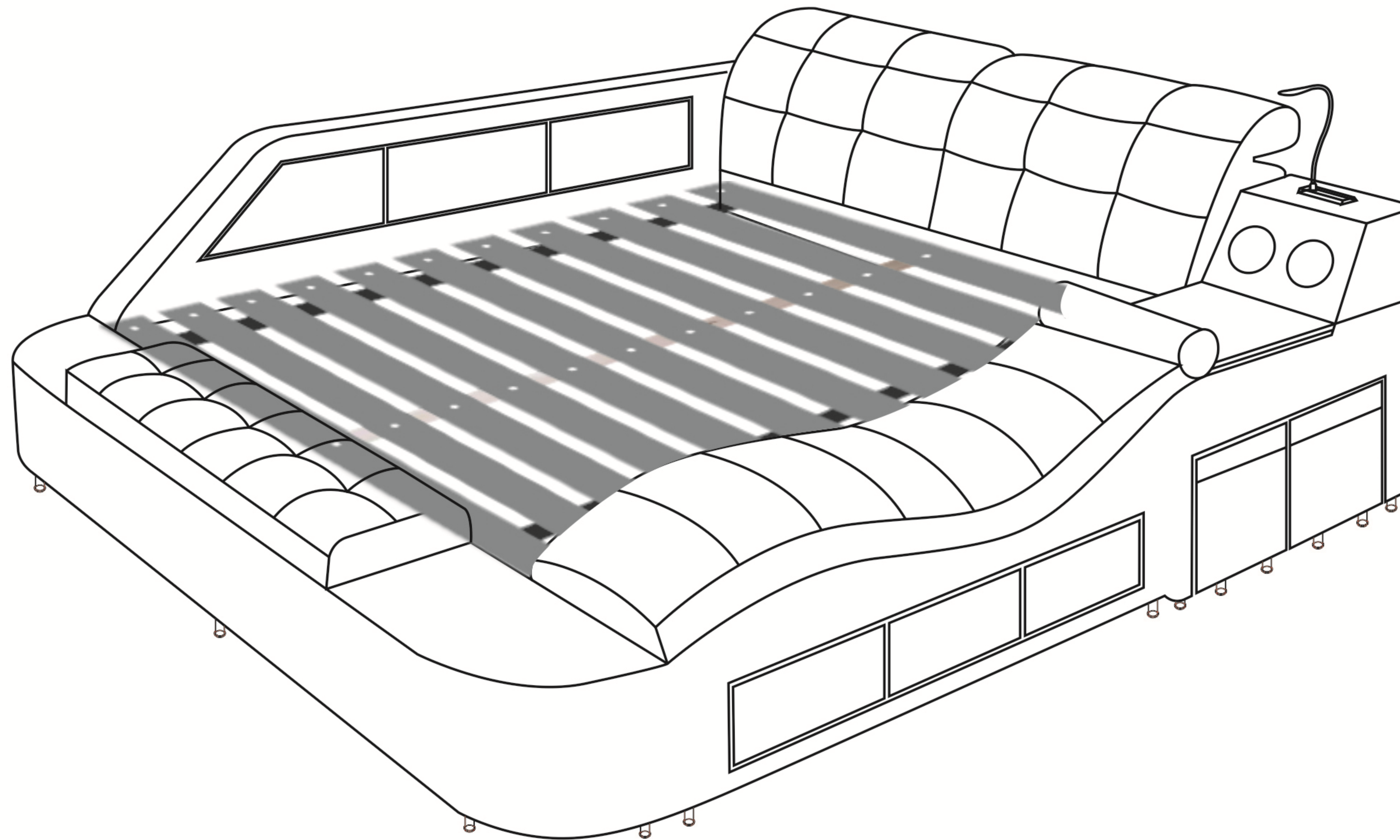

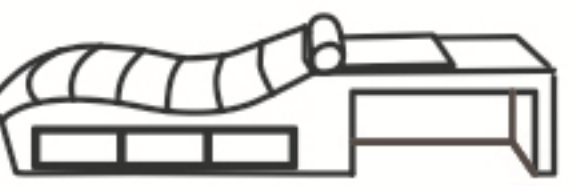

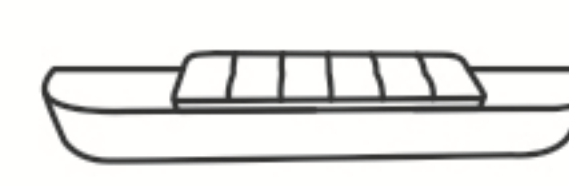

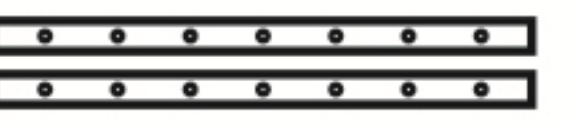
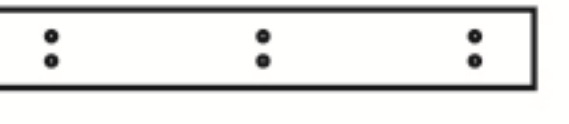






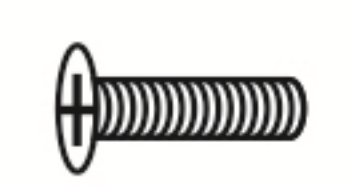





Assembly Instruction

ITEM NO.: R9015



NO.:	PARTS LIST		QTY
A	HEADBOARD		1 PC
B	BED SIDE WITH RECLINER		1 PC
C	BED SIDE WITH BOOKCASE		1 PC
D	FOOTBOARD		1 PC
E	OTTOMAN		2 PCS
F	SIDE SUPPORT BAR		2 PCS
G	MIDDLE SUPPORT BAR		1 PC
H	BLUETOOTH SPEAKER		1 PC
I	SLAT		1 PC
J	SUPPORT LEG 140~260 mm		3 PCS
K	FEET 50mm		20 PCS

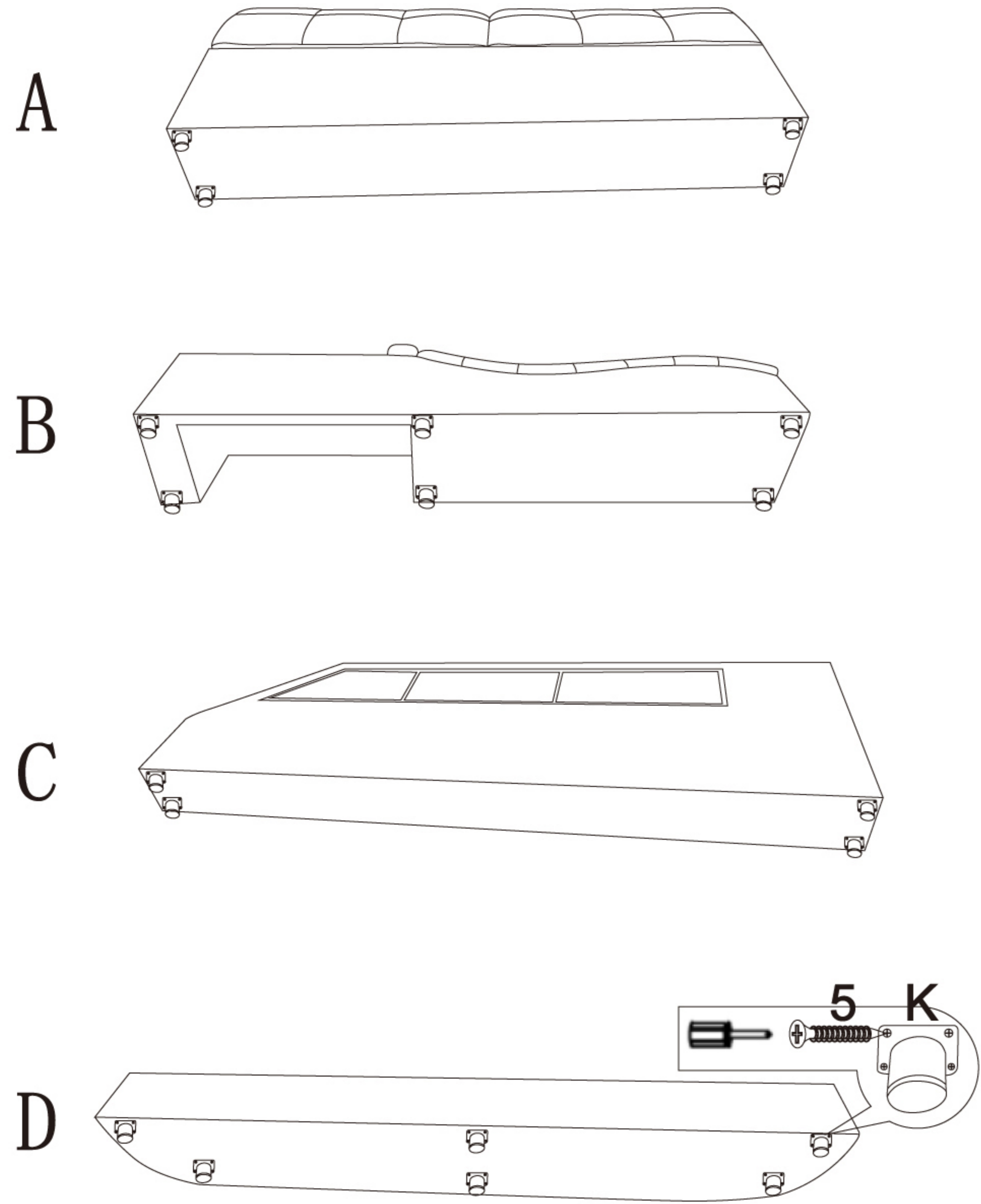
NO.:	HARDWARE LIST		QTY
1	BIG BRACKET		4 PCS
2	SMALL BRACKET 8*10mm		4 PCS
3	SCREW 8*25 MM		32 PCS

NO.:	HARDWARE LIST		QTY
4	SCREW 8x50 MM		16 PCS
5	SCREW 30 MM		110 PCS
6	NUT		6 PCS

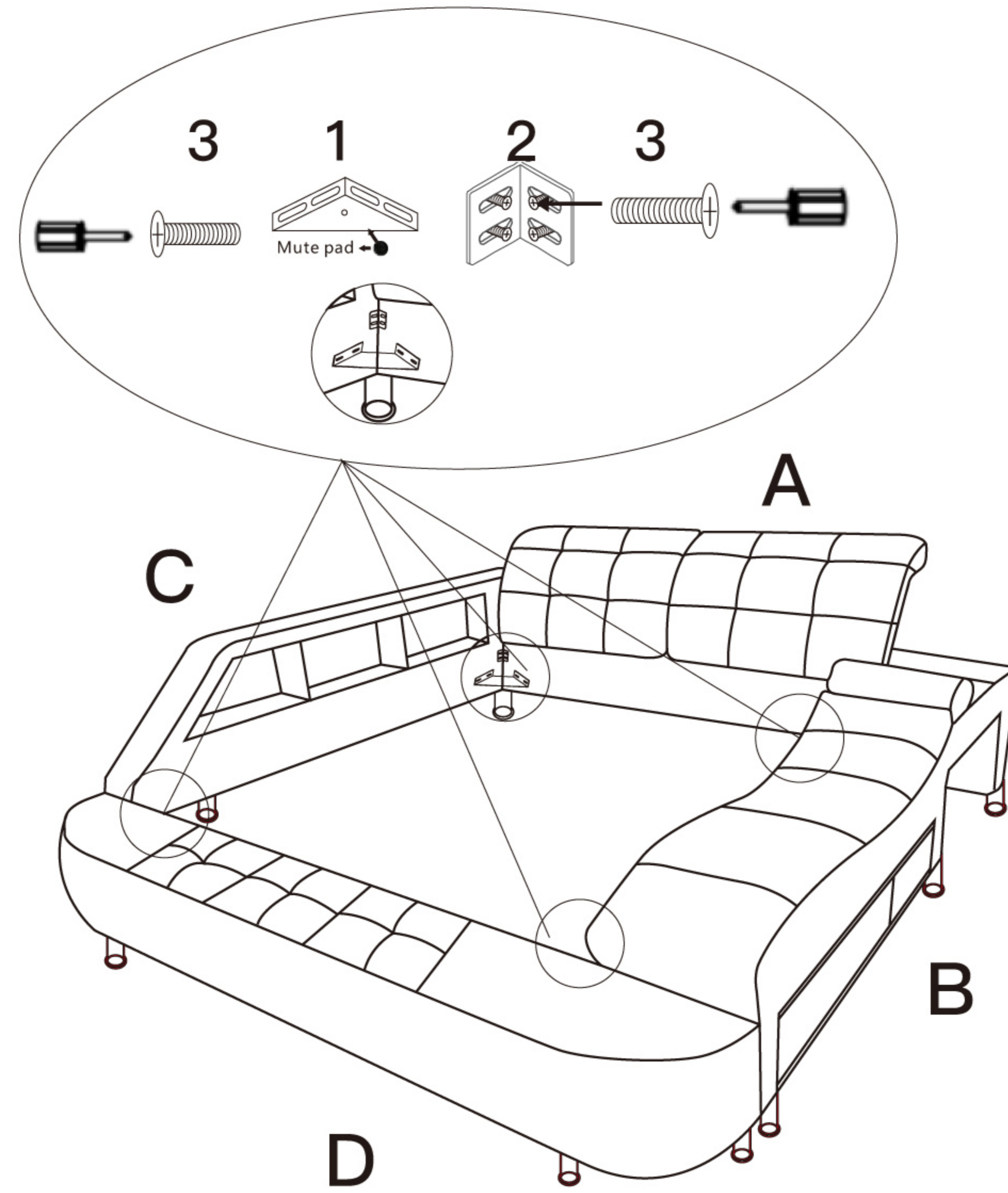
Remark:Phillips head screw driver is required in the assembly process; however, manufacturer does not provide this item.

Assembly Instruction

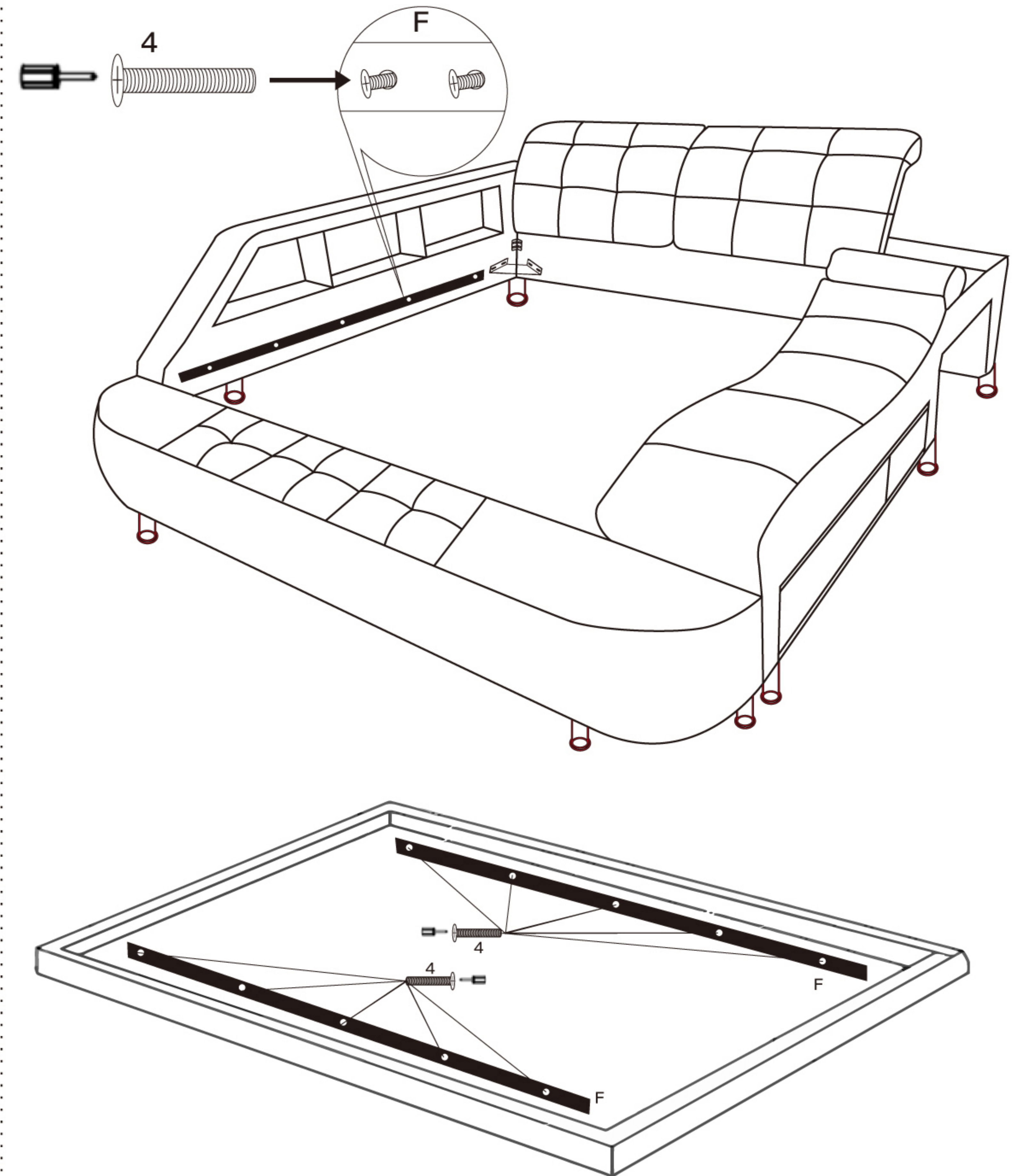
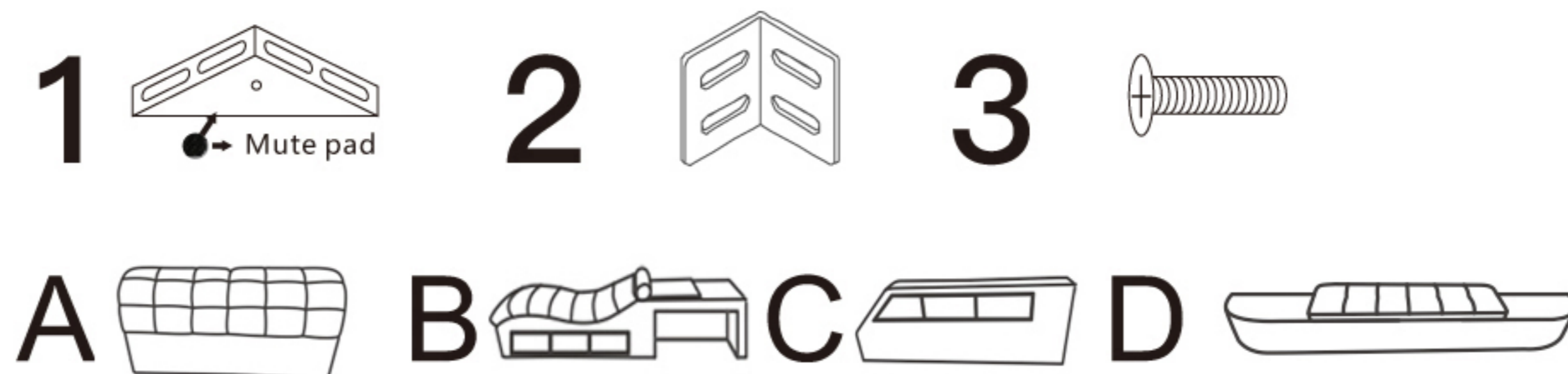
ITEM NO.: R9015



Step 1



Step 2

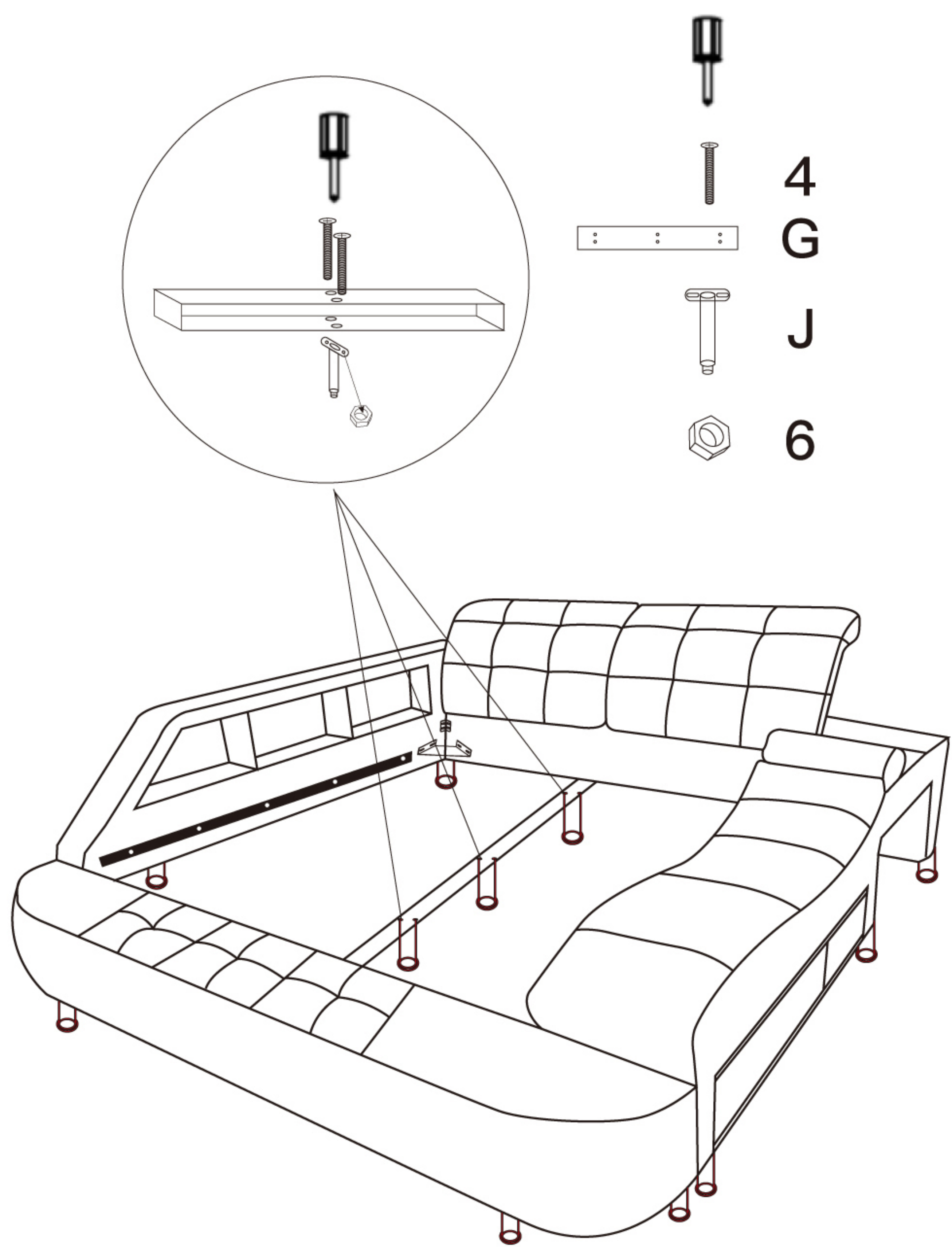


Step 3

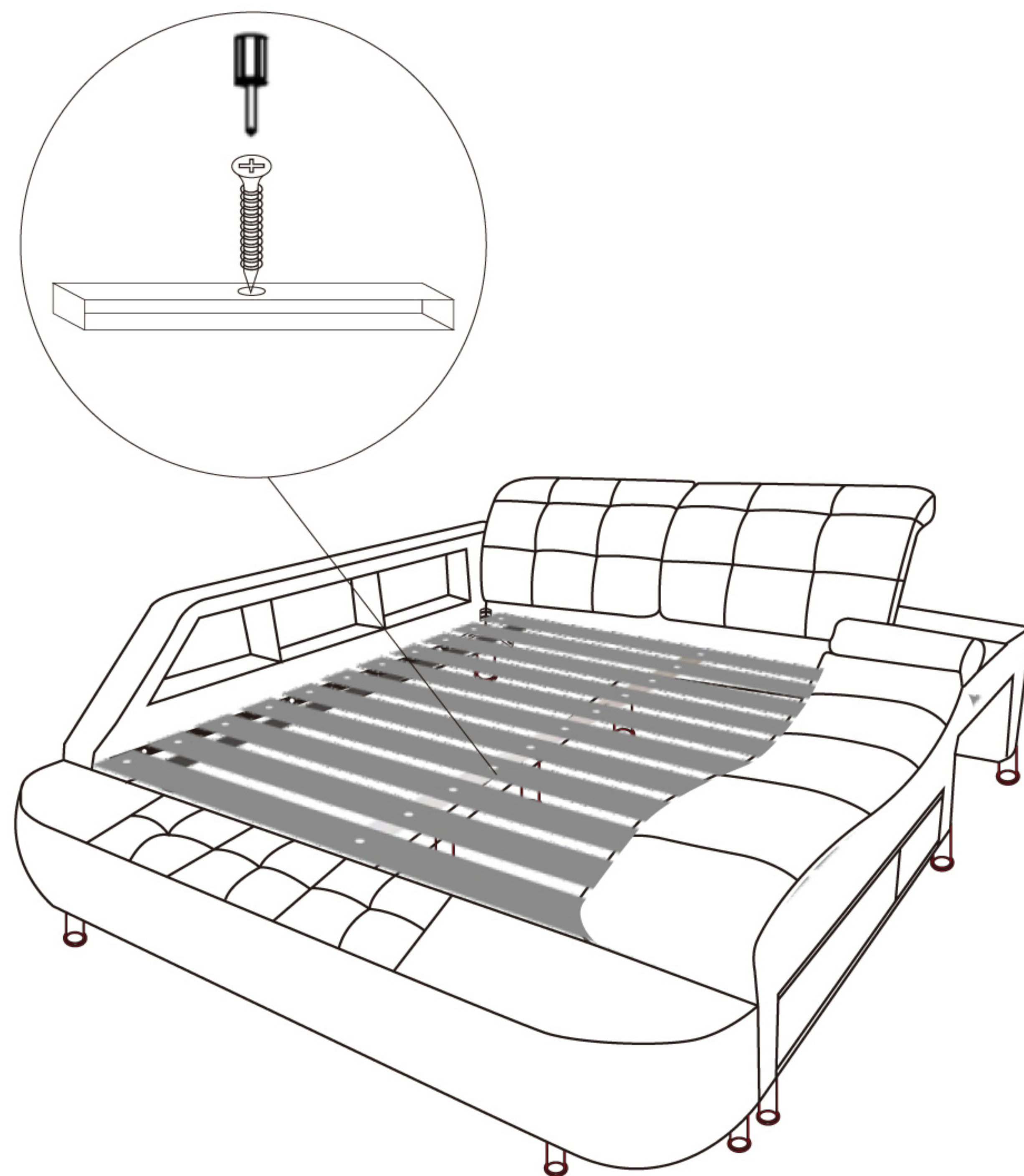


Assembly Instruction

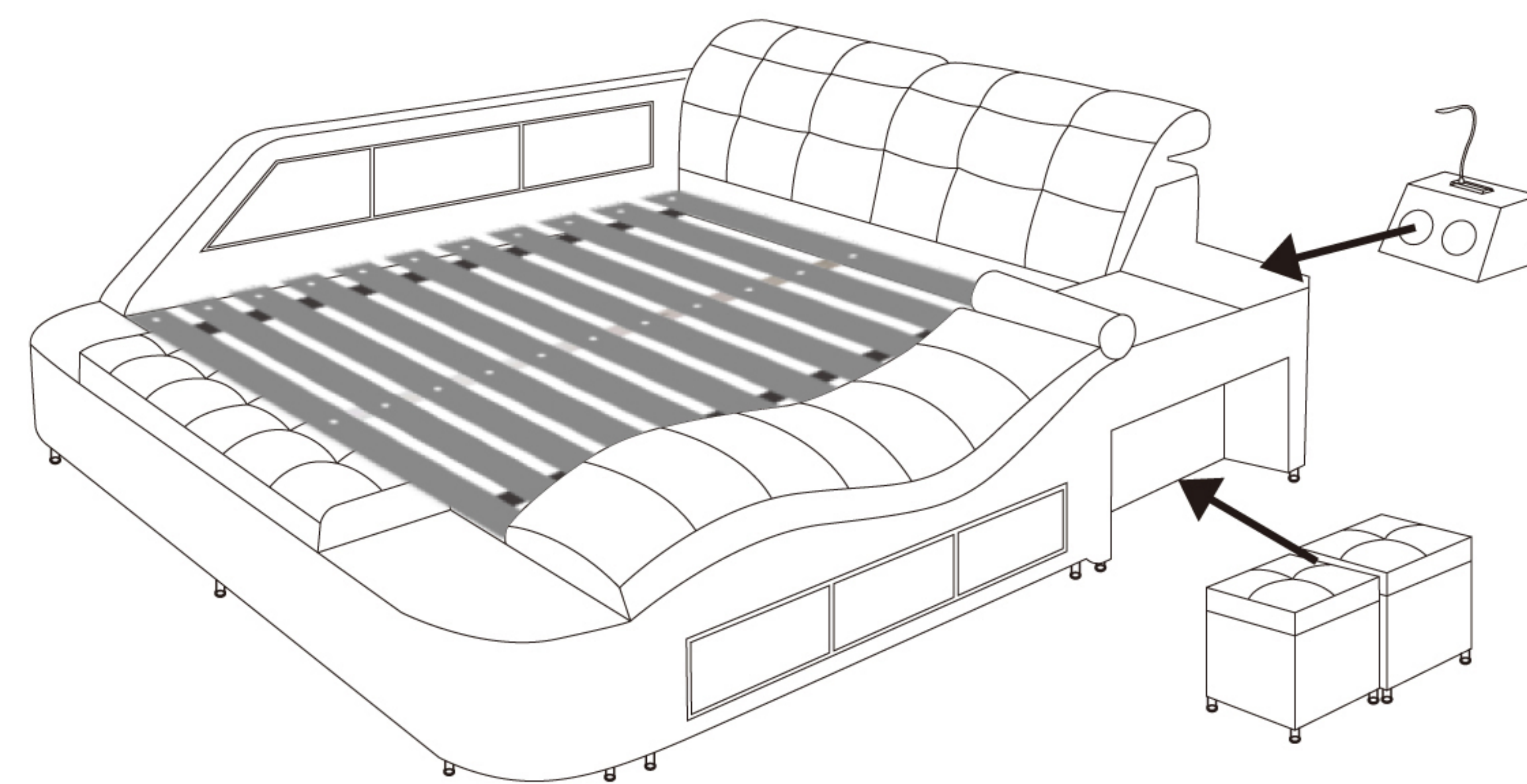
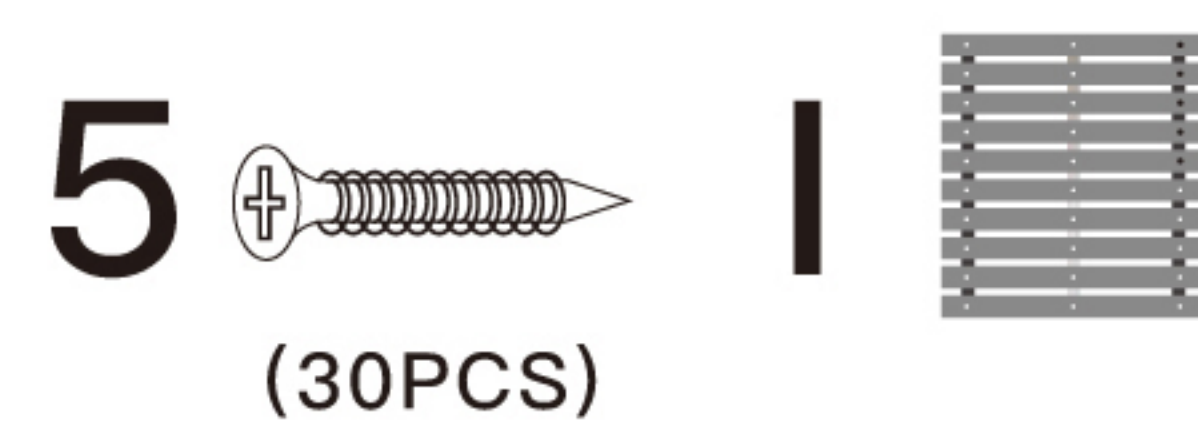
ITEM NO.: R9015



Step 4



Step 5



Step 6

