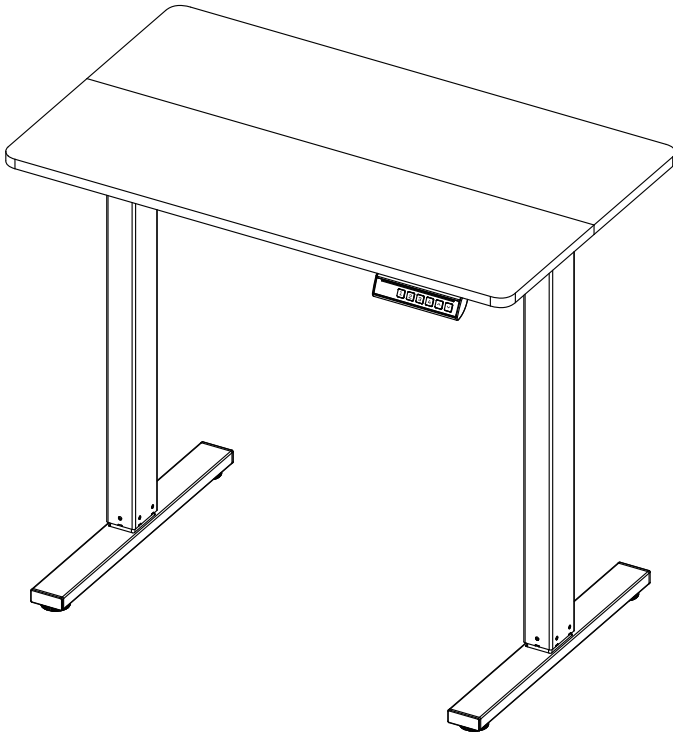


# Electric Standing Desk



MESD202-80A

---

✉ [help\\_service\\_center@outlook.com](mailto:help_service_center@outlook.com)



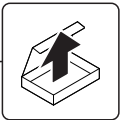
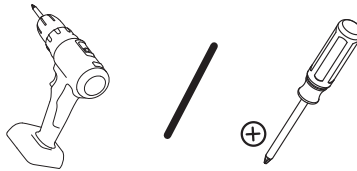
Height Adjustment Range  
71–116cm



Power Input  
100V–240V



Max. Speed  
20mm/s



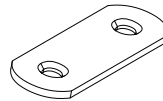
5/32" (4mm)

**A** x 1



1/4" (6mm)

**B** x 1



**C** x 3



M6 x 8mm

**D** x 6



M6 x 10mm

**E** x 14



M5 x 14mm

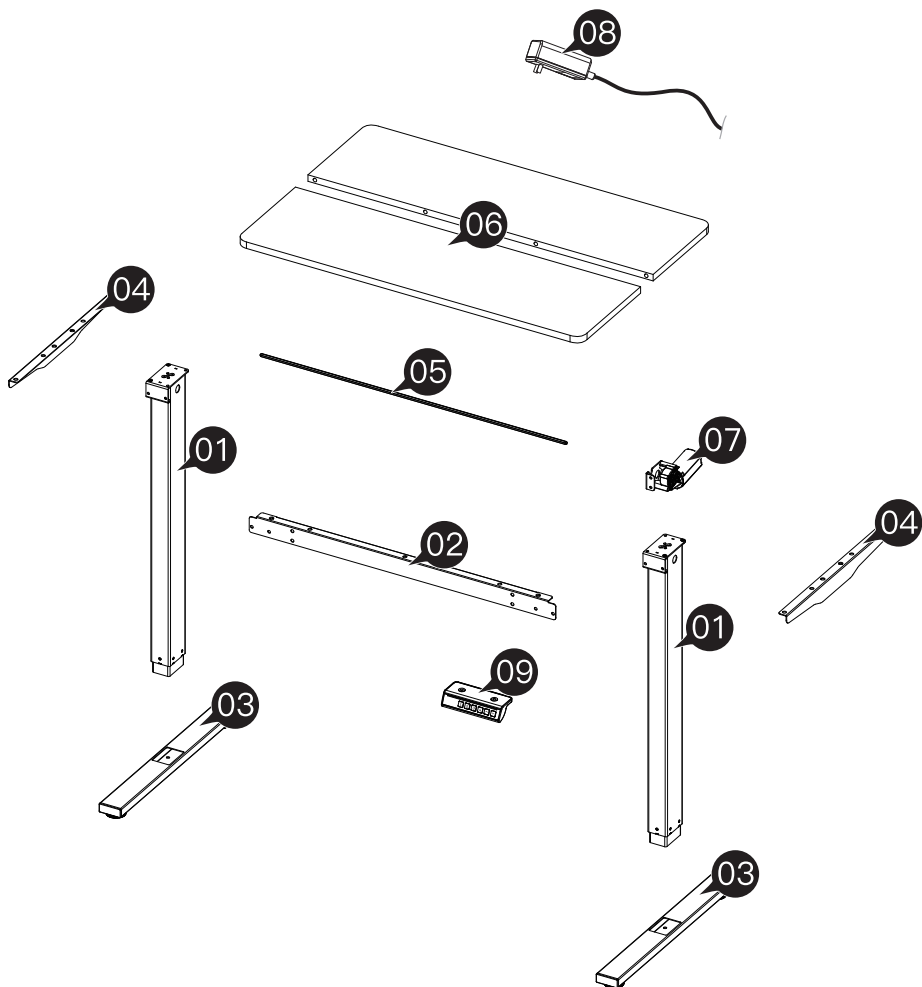
**F** x 19



**G** x 4

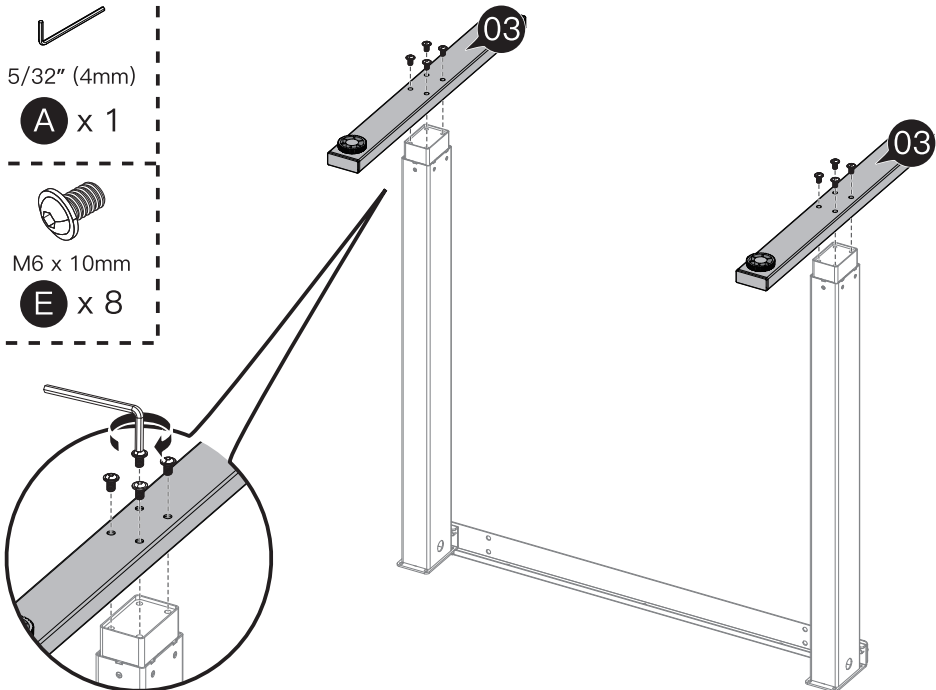
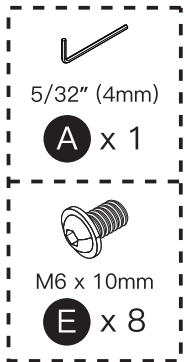
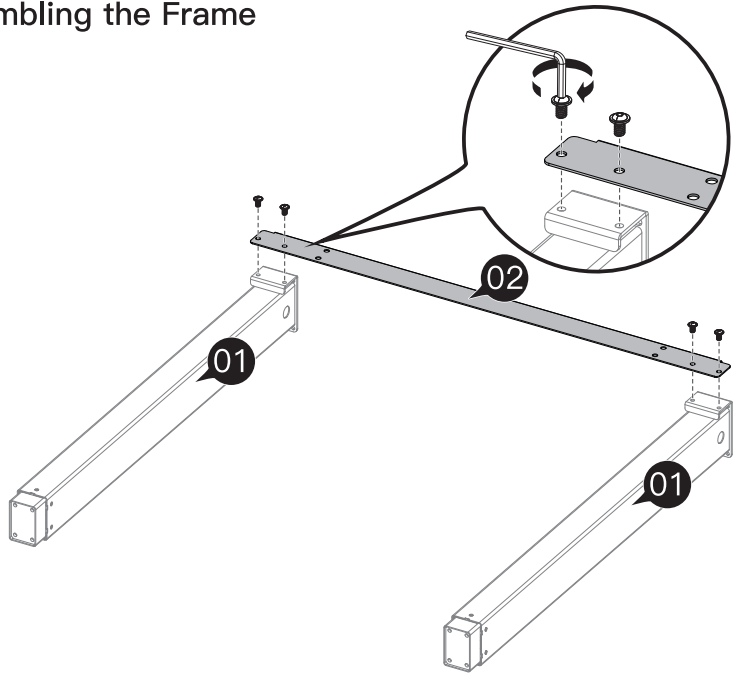
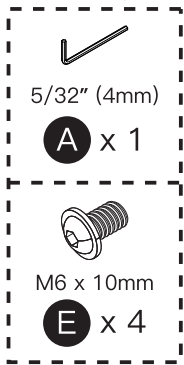


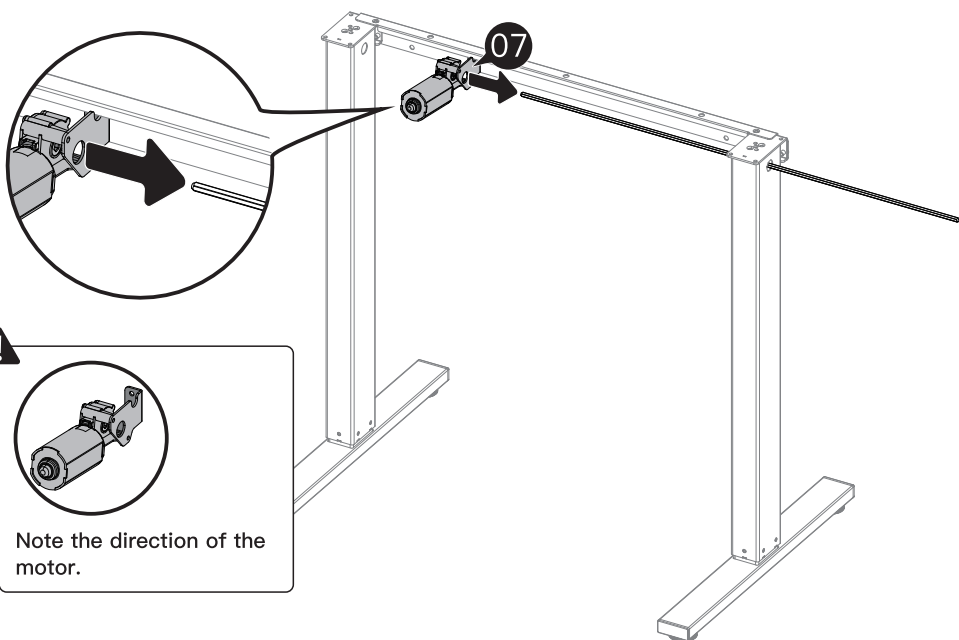
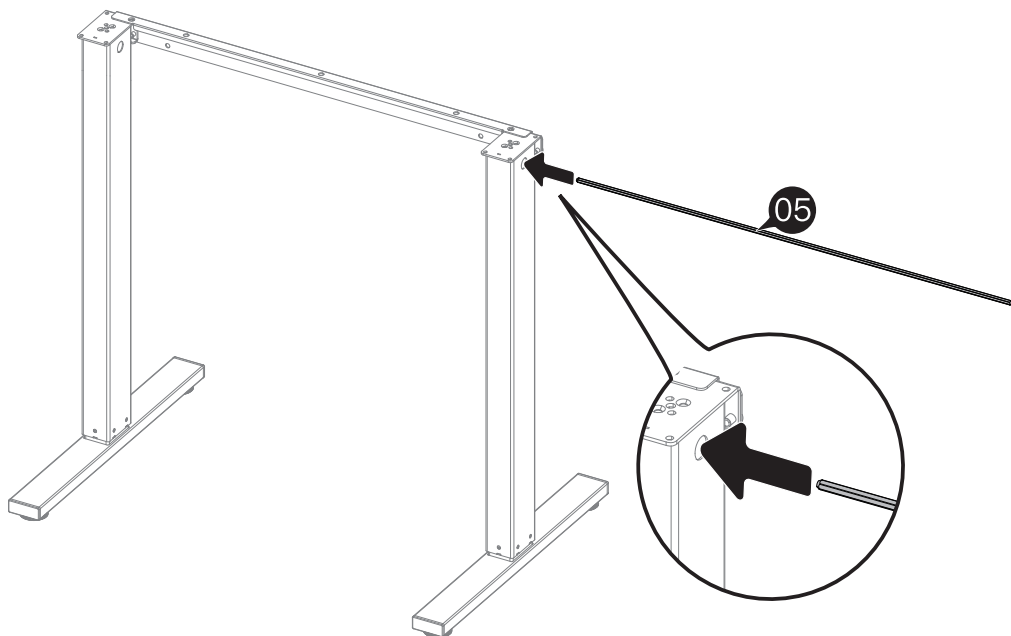
**H** x 3

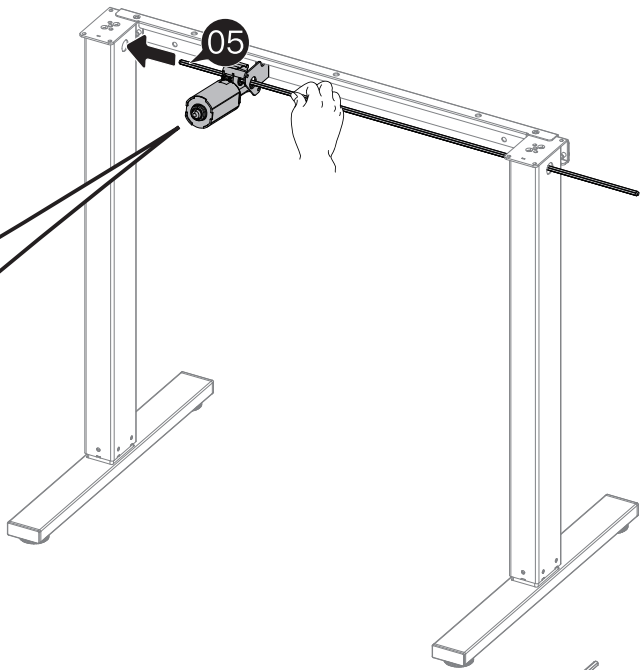
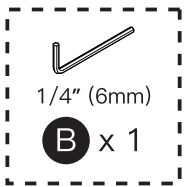


# 1

## Assembling the Frame

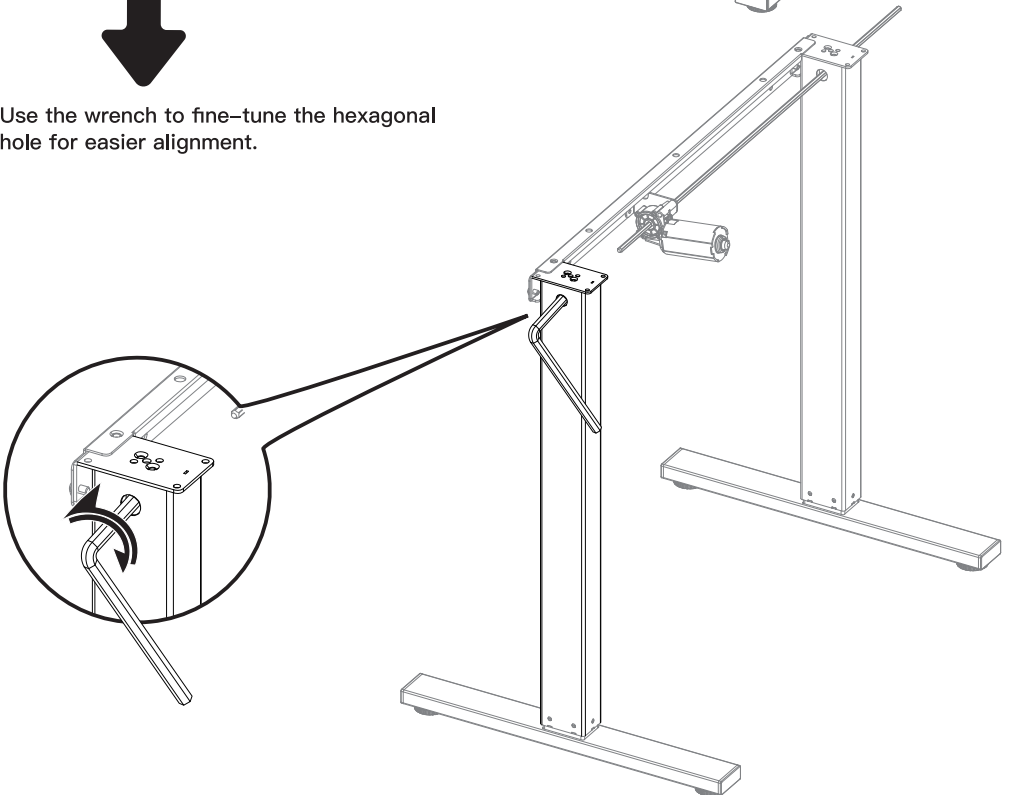


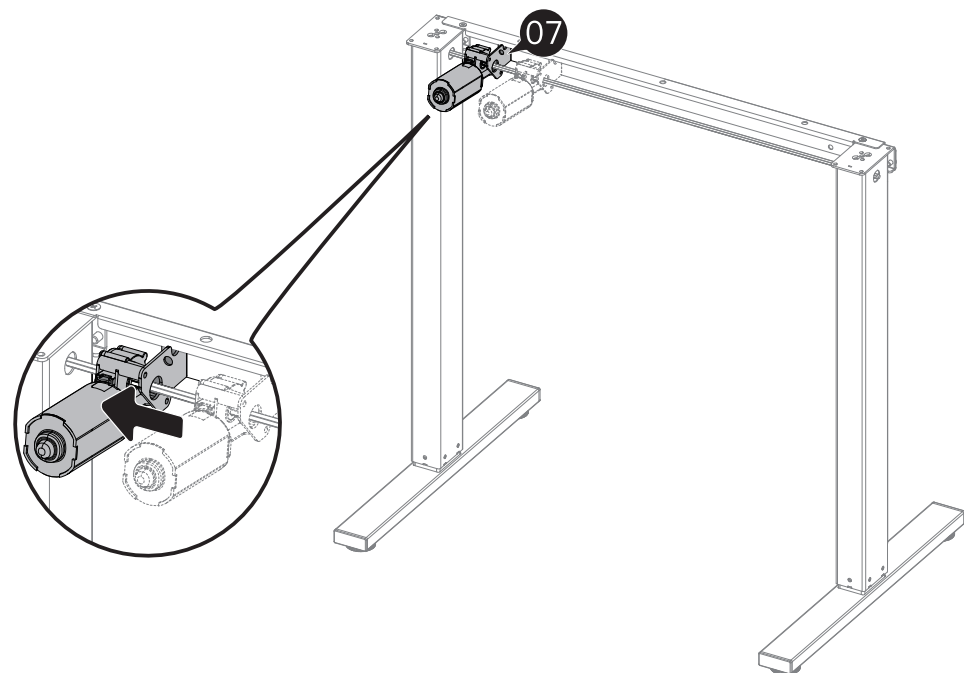
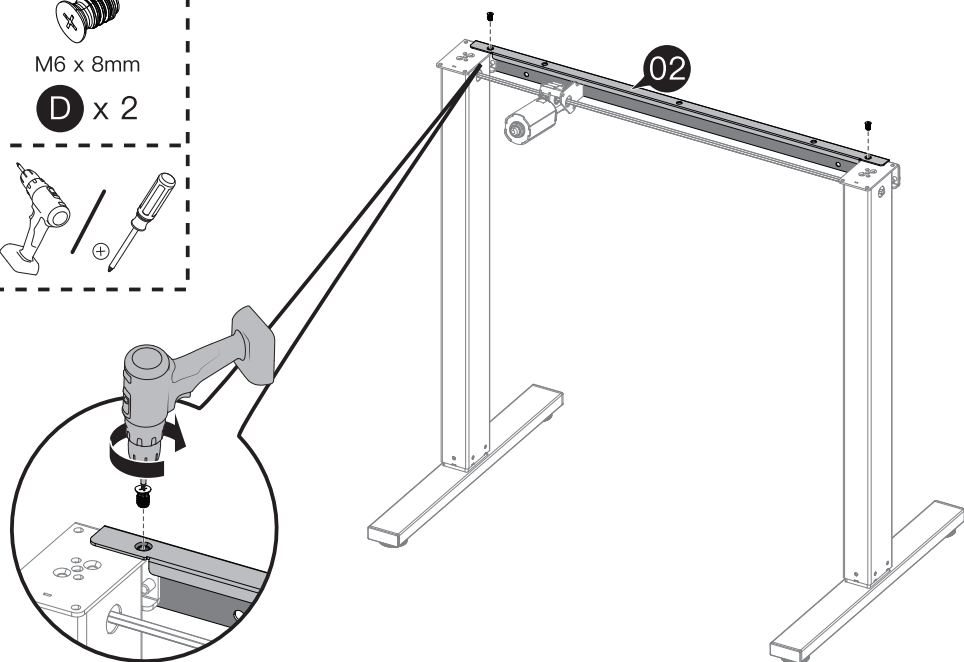
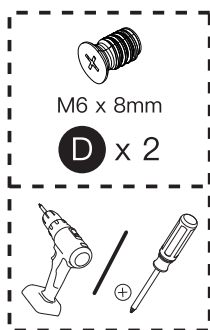


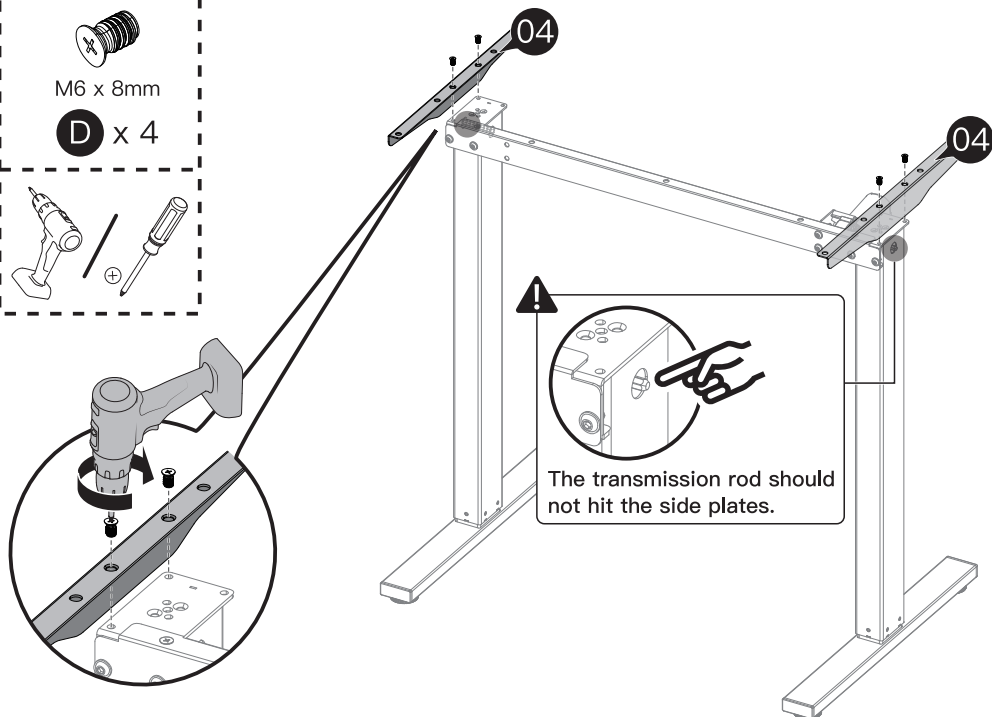
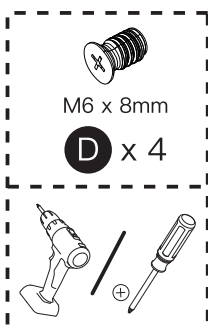
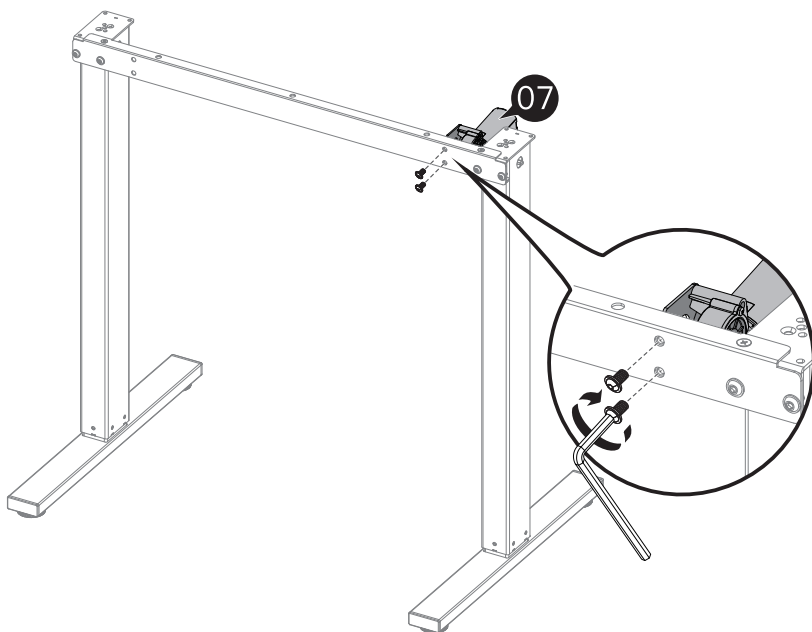
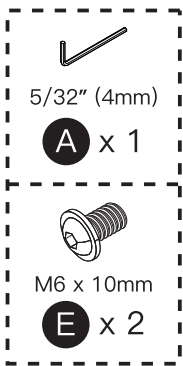


If Needed

Use the wrench to fine-tune the hexagonal hole for easier alignment.








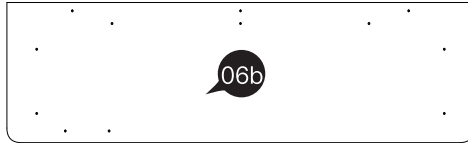
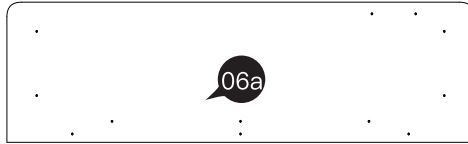
# 2

## Assembling the Desktop

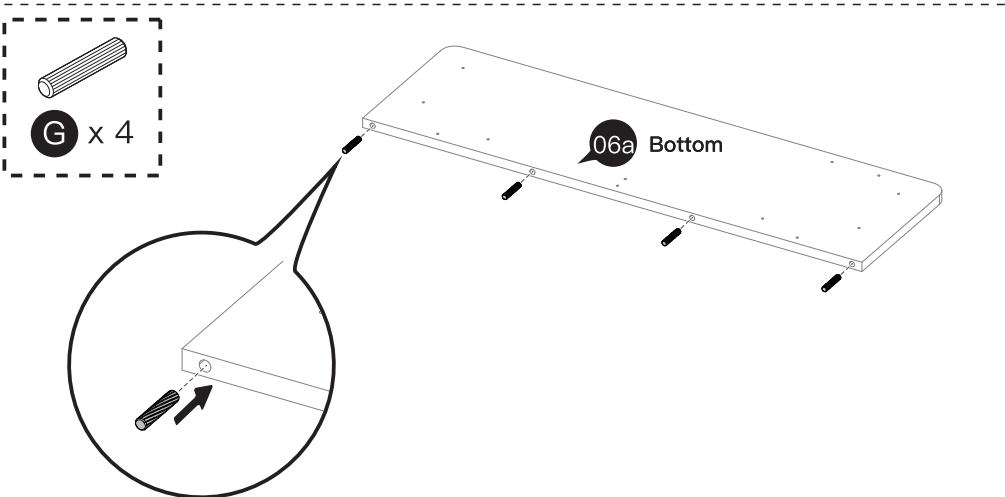
 Tip: ● indicate pre-drilled hole locations.

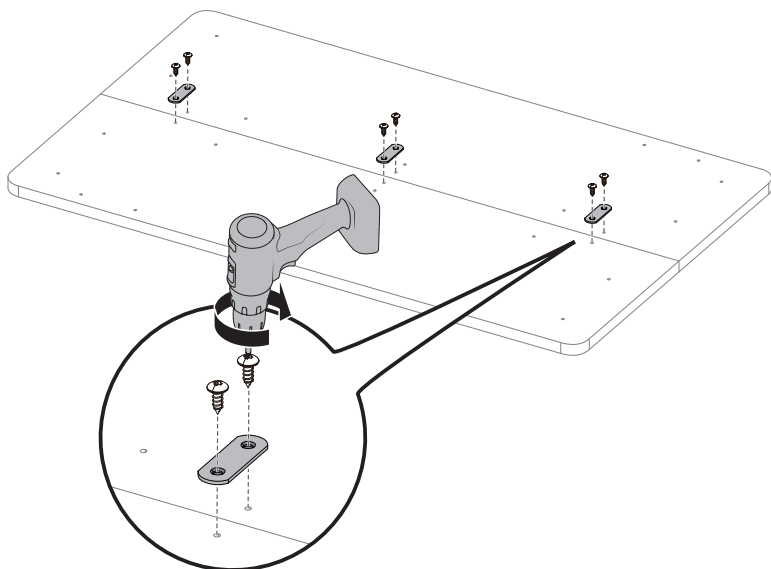
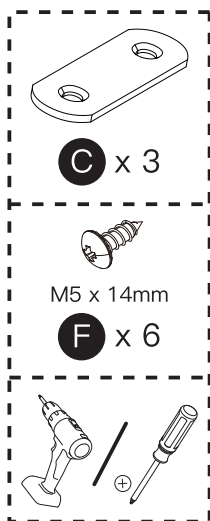
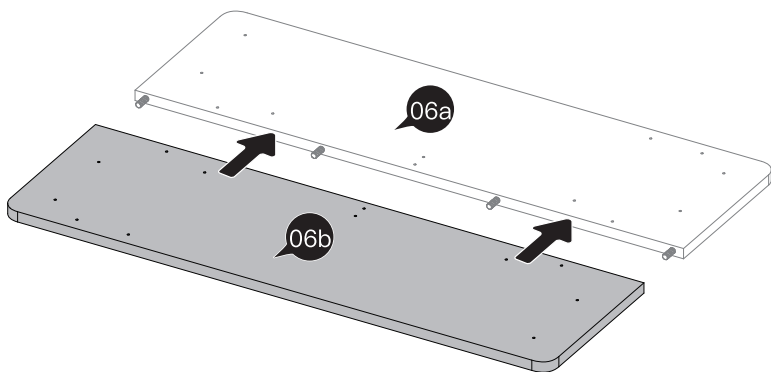


Top



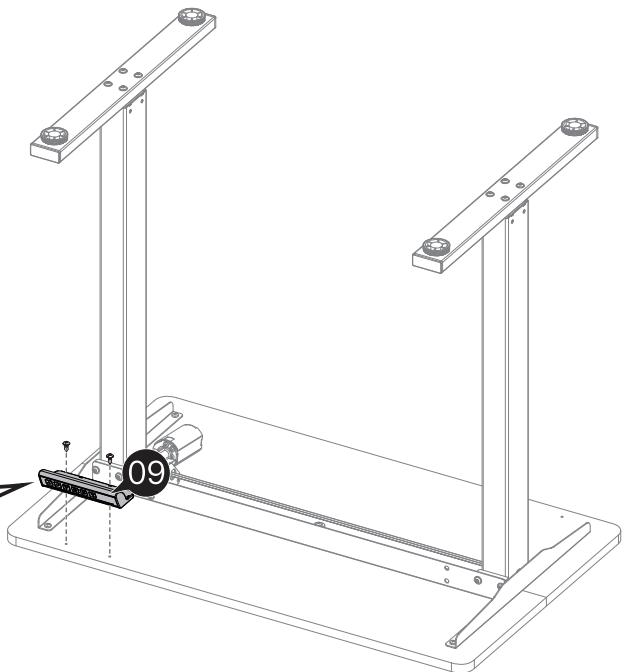
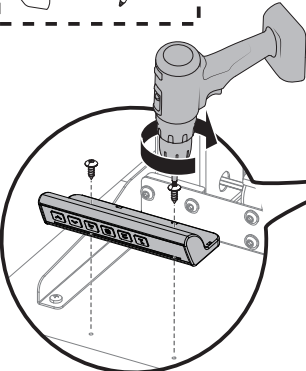
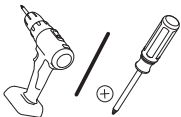
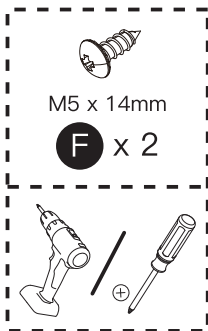
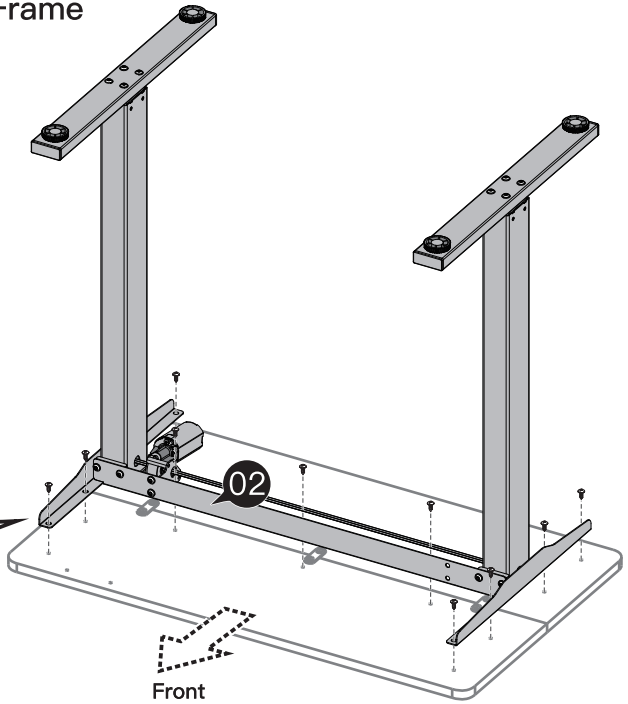
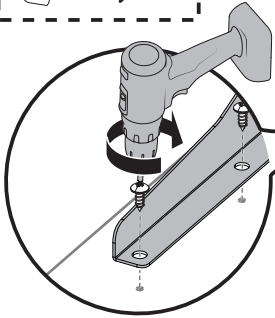
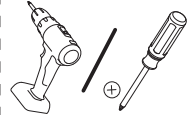
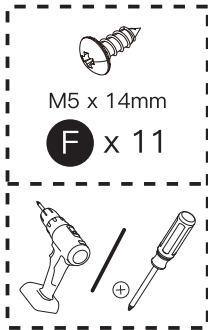
Bottom





# 3

## Attaching the Frame

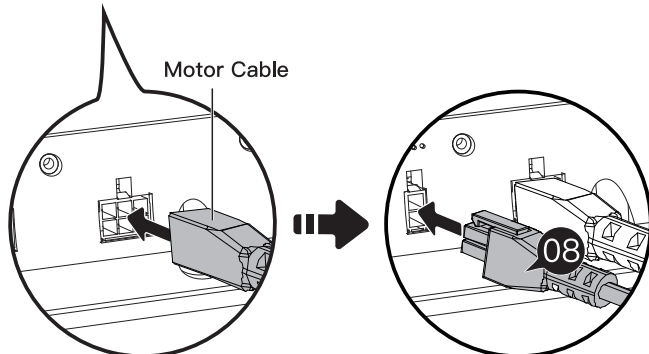
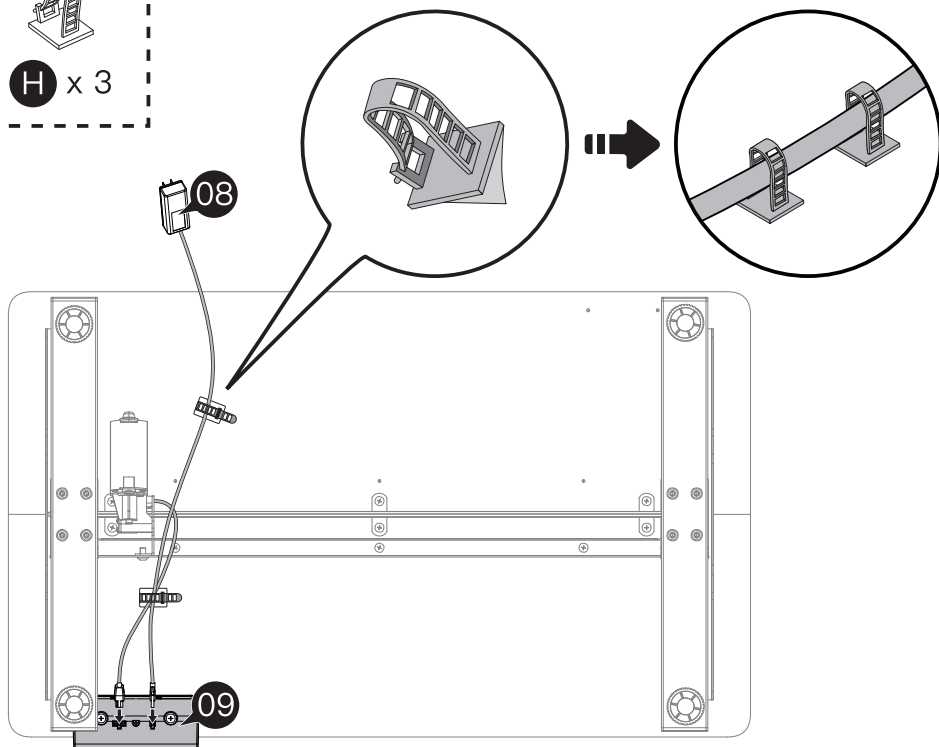
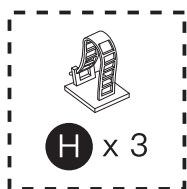


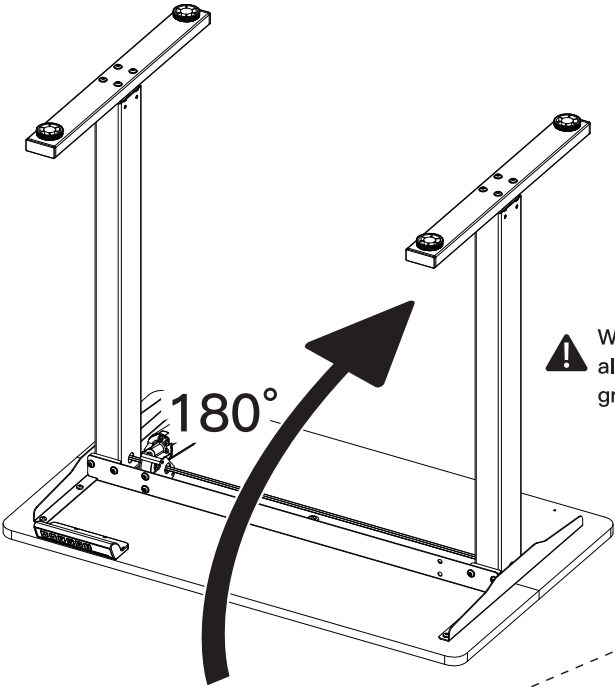
# 4

## Connecting the Cables

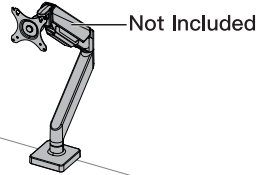


An example of a cable clip layout is indicated below. However, the cable clips can be arranged according to your needs.



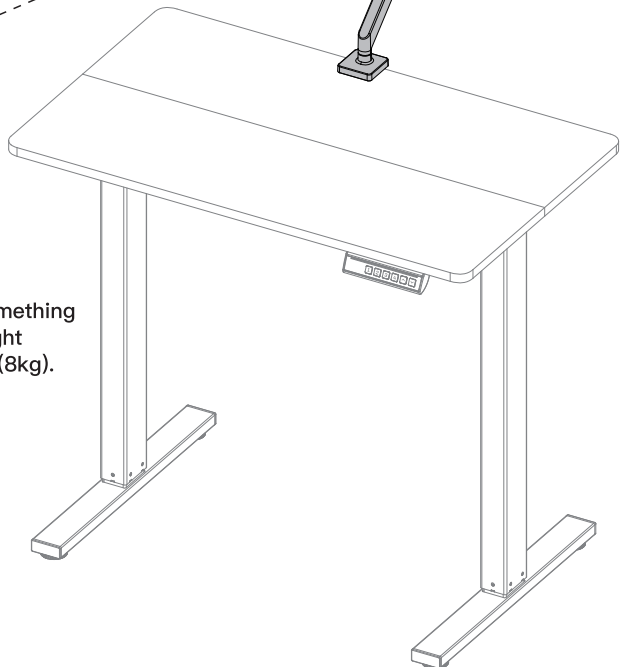


**!** When flipping the desk over, do not allow the controller to collide with the ground, which could cause damage.

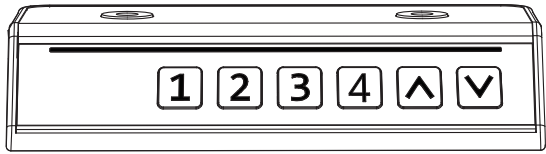


Not Included

**!** If a desk monitor arm or something similar is mounted, the weight should not exceed 17.6 lbs (8kg).



# Using the Controller



**Note:** Ensure that there are no obstacles when using the desk, that the desktop is not too close to the wall, and that all cables are long enough for the desk to move up and down freely. When the controller screen is off (power-saving mode), press any button to wake it before operation.

---

 Up. Highest Position: 116cm

 Down. Lowest Position: 71cm

---

## • Save Current Height Setting

Four heights can be saved. Press and hold the **1**, **2**, **3**, or **4** button for 5 seconds until 'H1,' 'H2,' 'H3,' or 'H4' is displayed. The current height will be saved to that button.

---

## • Select Height Setting


Press the **1** / **2** / **3** / **4** button. The desk will move to the height that was previously set for that button.


## Settings

### Reset

---

'RES' displays as  on the screen.

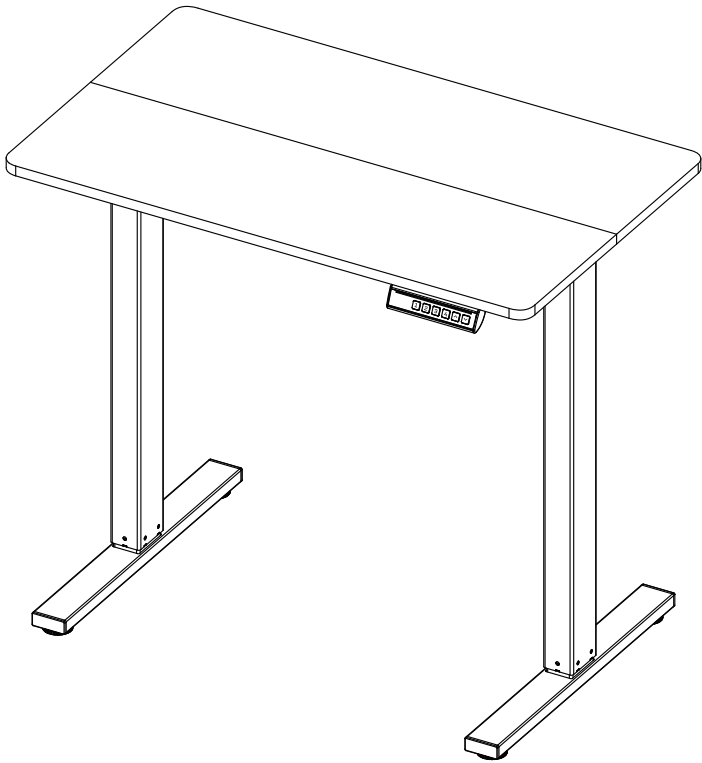
1. Press and hold the  button until the desk goes down to its lowest level, then release the button.

2. Press and hold the  button for 5 seconds, and the screen will display 'RES.' Continue holding until the desk comes back up slightly. Reset is complete.

## Protection Mode Error Codes

<b>Hot</b>	Overheating Protection: When the motor has been working continuously for 5 minutes, it will stop operating to prevent damage from overheating. Wait for at least 15 minutes before making any further height adjustment.
<b>E10</b>	Sensor Malfunction Warning: Motor safety sensor cannot be detected. Power off, disconnect the motor cable, reconnect the cable, then power back on and perform a reset.
<b>E20</b>	Overload Warning: Max load exceeded. If raising the desk, remove all items from the desk and try again. If lowering the desk, power off, remove all items from the desk, power back on, then try again. If error code persists, follow the reset instructions.
<b>E02</b>	Operation Status Warning: The desk stops moving if vibration, impact, or incline are detected. If this detection is incorrect, follow the reset instructions before continuing use.
<b>E32</b>	Overvoltage Protection: Input voltage too high. If the correct AC adapter is being used, power off, disconnect the controller cable, reconnect the cable, then power back on and perform a reset.
<b>E31</b>	Undervoltage Protection: Input voltage too low. If the correct AC adapter is being used, power off, disconnect the controller cable, reconnect the cable, then power back on and perform a reset.
	Cable Disconnection Warning: Ensure all cables are properly connected and the controller is plugged in before use.

Thank you again for choosing this product!



✉ [help\\_service\\_center@outlook.com](mailto:help_service_center@outlook.com)