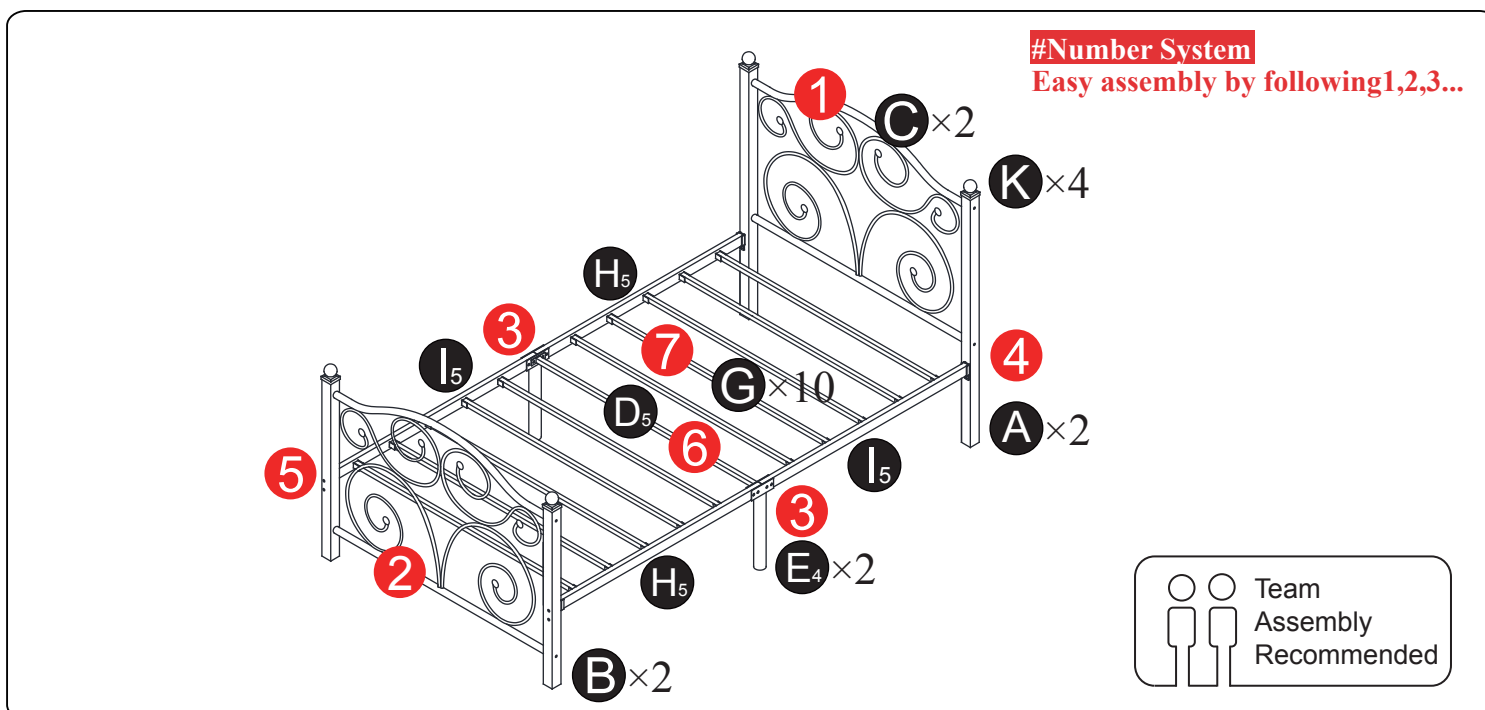
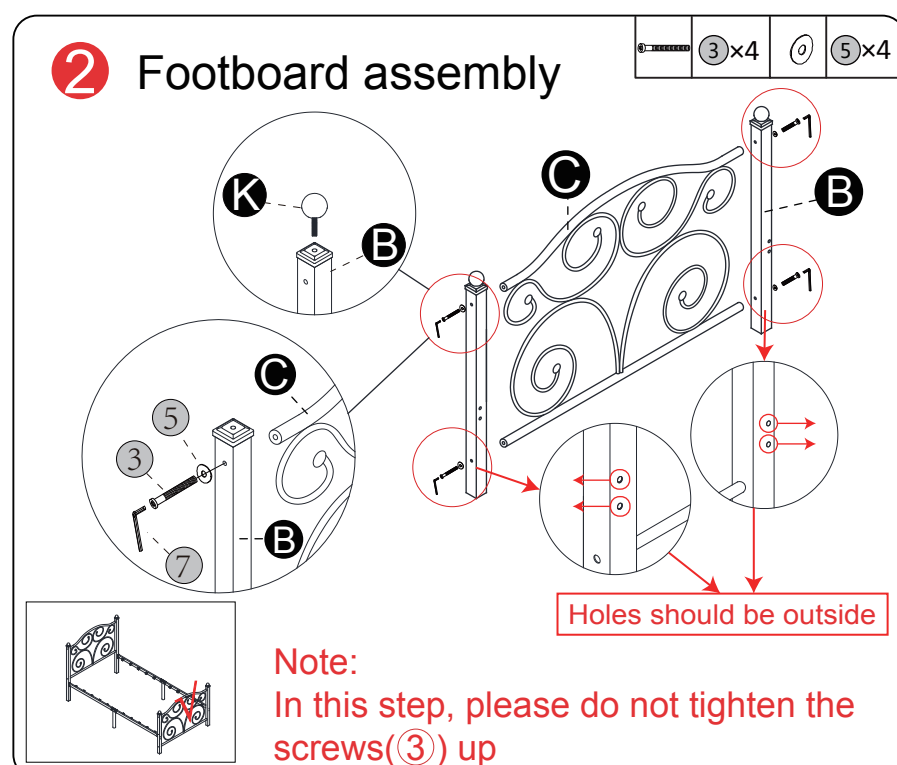
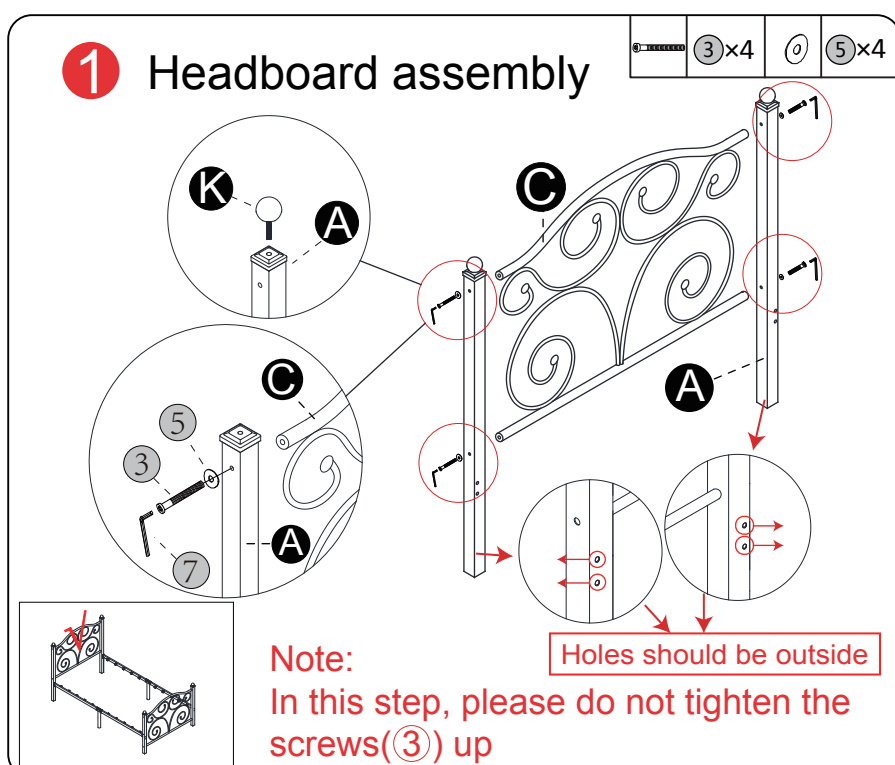


Bed Frame Installation Manual



Componets		Screws & Tools	
	A × 2	①	M8x50mm x8
	B × 2	②	M8x35mm x8
	C × 2	③	M6x60mm x8
	D ₅ × 1	④	M6x15mm x4
	E ₄ × 2	⑤	x16
	G × 10	⑥	M8 x12
	H ₅ × 2	⑦	M5 x1
	I ₅ × 2	⑧	M13/M10 x1
	K × 4		

Check all the components & screws before assembly. Do not install in case part is missing, contact us to get. Send email with your question to support@vecelo.com. We will resend within 24 hours.



3 Connect **E₄** to **H₅** & **I₅**

	2x4
	4x4
	6x4

4 Connect **H₅** & **I₅** to headboard

	1x4
	5x4
	6x2

5 Connect **H₅** & **I₅** to footboard

	1x4
	5x4
	6x2

6 Connect **D₅** to **E₄**

	2x4
	6x4

Note:
In this step, please do not tighten the screws (2) up

7 Assemble bed slats

Note:
If the bed slats can not be inserted easily, loosen the screws (step 1 2 6)

8 Check and tighten all screws

CAUTIONS!

