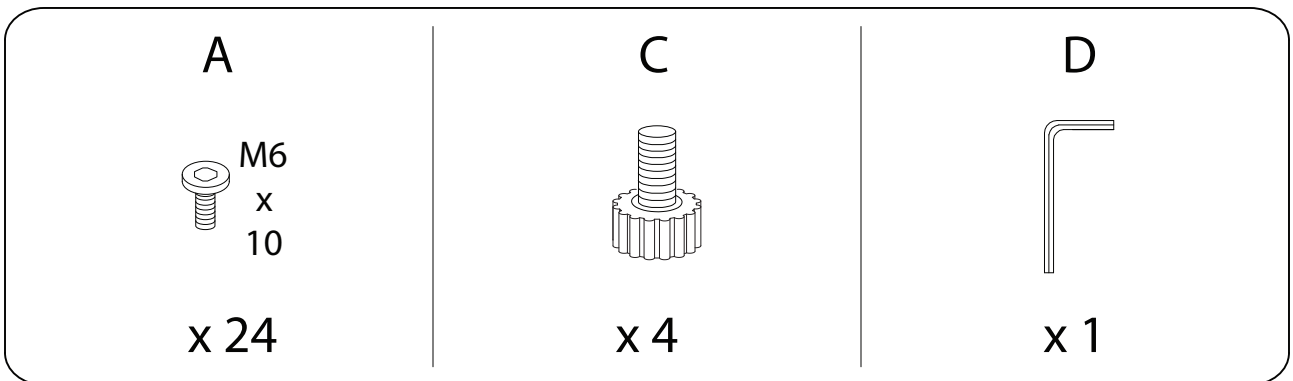
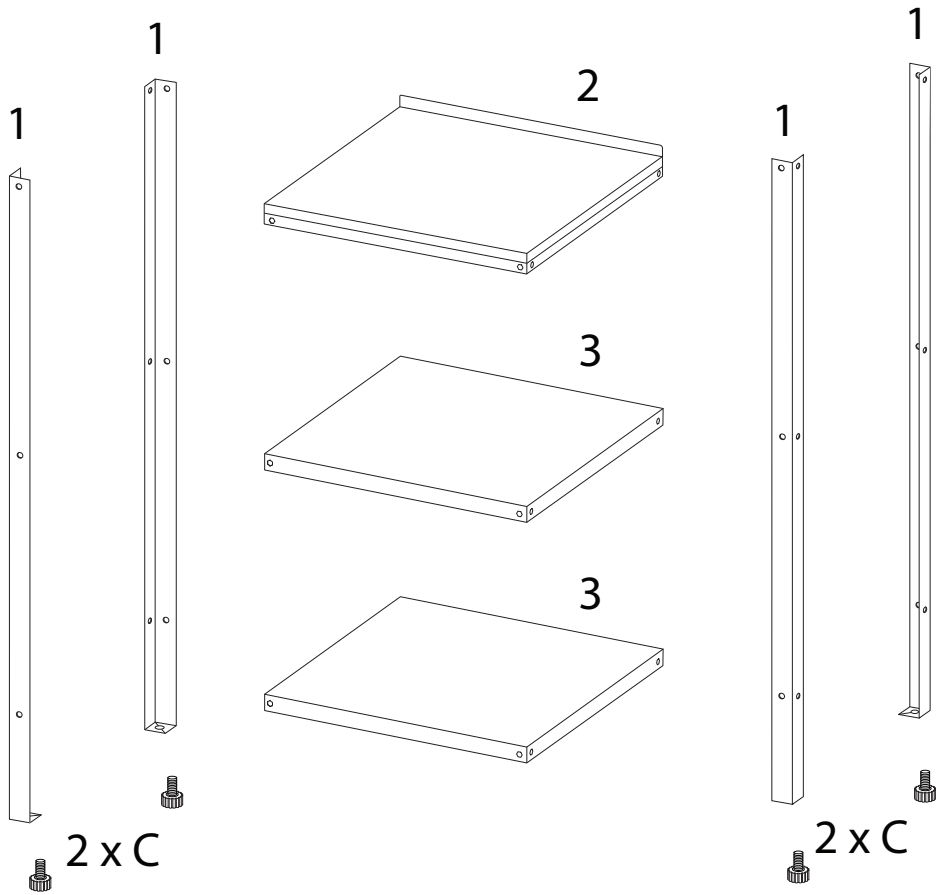
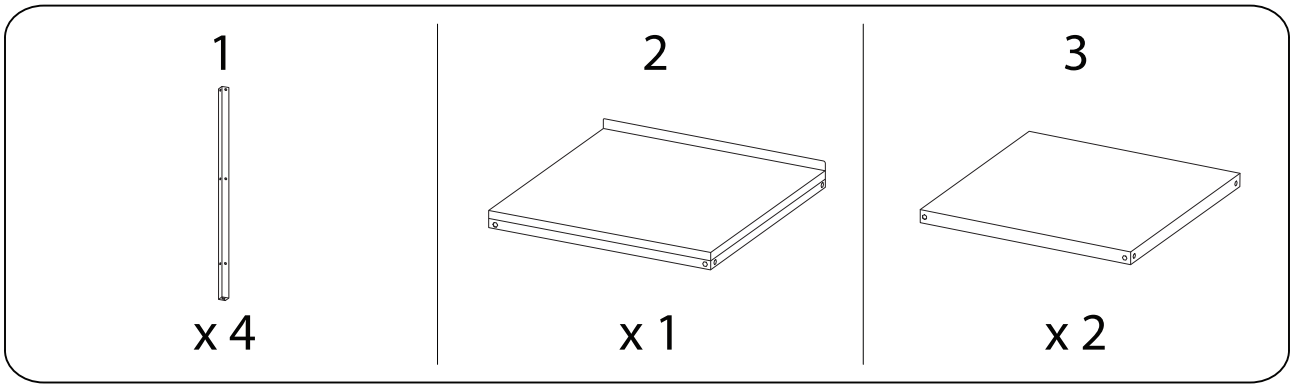
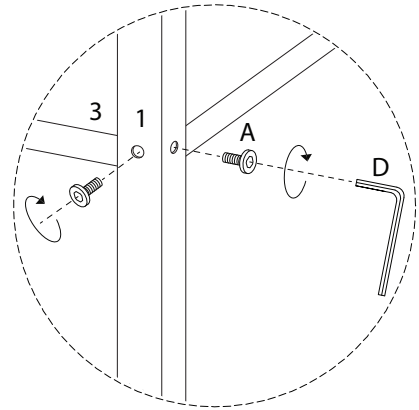
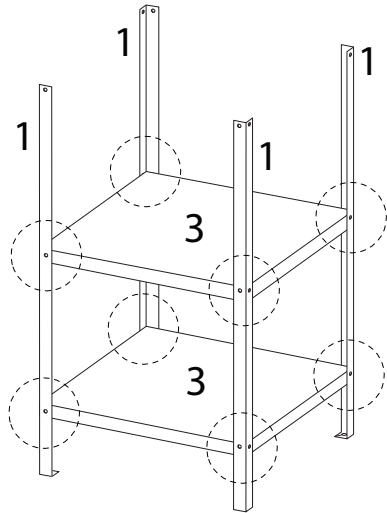
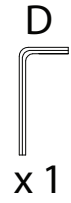
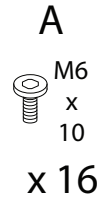
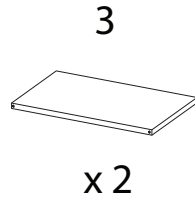


Diagram illustrating assembly instructions and safety warnings:

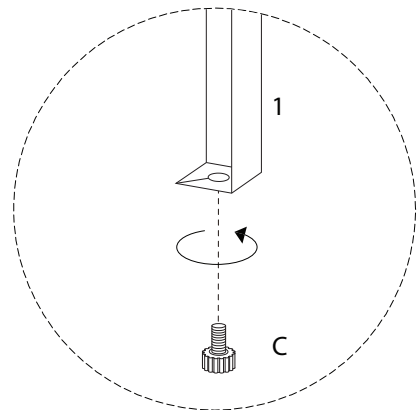
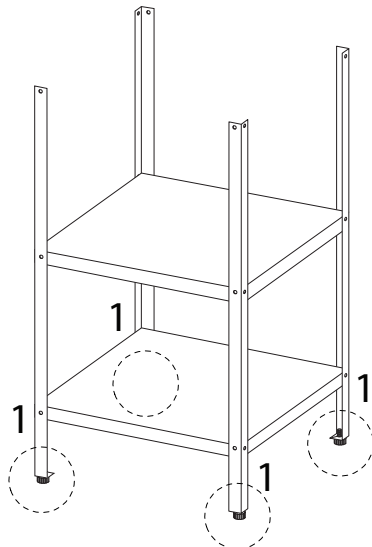
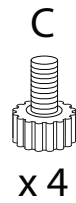
- Top Section:** Shows an Allen key and a power drill with a diagonal line through it, indicating that a power drill should not be used. A warning triangle with an exclamation mark is positioned to the right. Below this is a clock icon with the text "30'", indicating a 30-minute assembly time.
- Bottom Section:** Shows a rectangular panel being placed on a surface and another panel being inserted into a slot. A warning triangle with an exclamation mark is positioned to the right. Below this is a person icon with the text "2", indicating that two people are required for assembly.



1



2



3

