

20" Round Side Table Alum Slat Top

Assembly Instructions

READ AND SAVE THESE INSTRUCTIONS

Step 1: Remove all protective materials and check all component pieces against parts list.

Step 2: Place the bottom leg on a flat surface to start assembly. Insert top leg (B) to the bottom leg (C). See photo 1 and photo2. Place the table top(A) on a soft surface with the underside facing up.

Step3: Attach table legs(B)to Table top (A)Using Bolt(D) through Washer(E) . Then cover bolt with Cover(F) See photo 3.

Step4: Check the alignment of all legs and adjust if necessary. Turn table into upright position. assemble is completed as photo 4 shown.

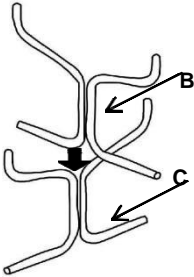


photo1

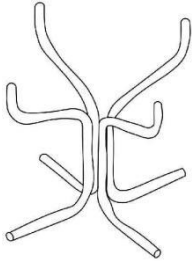


photo2

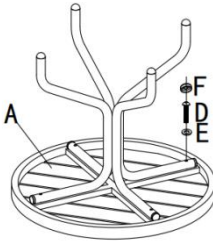


photo3

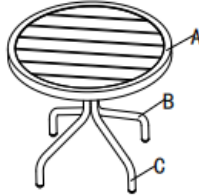









photo4

PARTS LIST

A	TABLE TOP		1
B	TOP LEG		1
C	BOTTOM LEG		1
D	1/4" X 35mm Bolt		4
E	1/4" Flat washer		4
F	1/4" Bolt cover		4
G	Hex screw driver		1