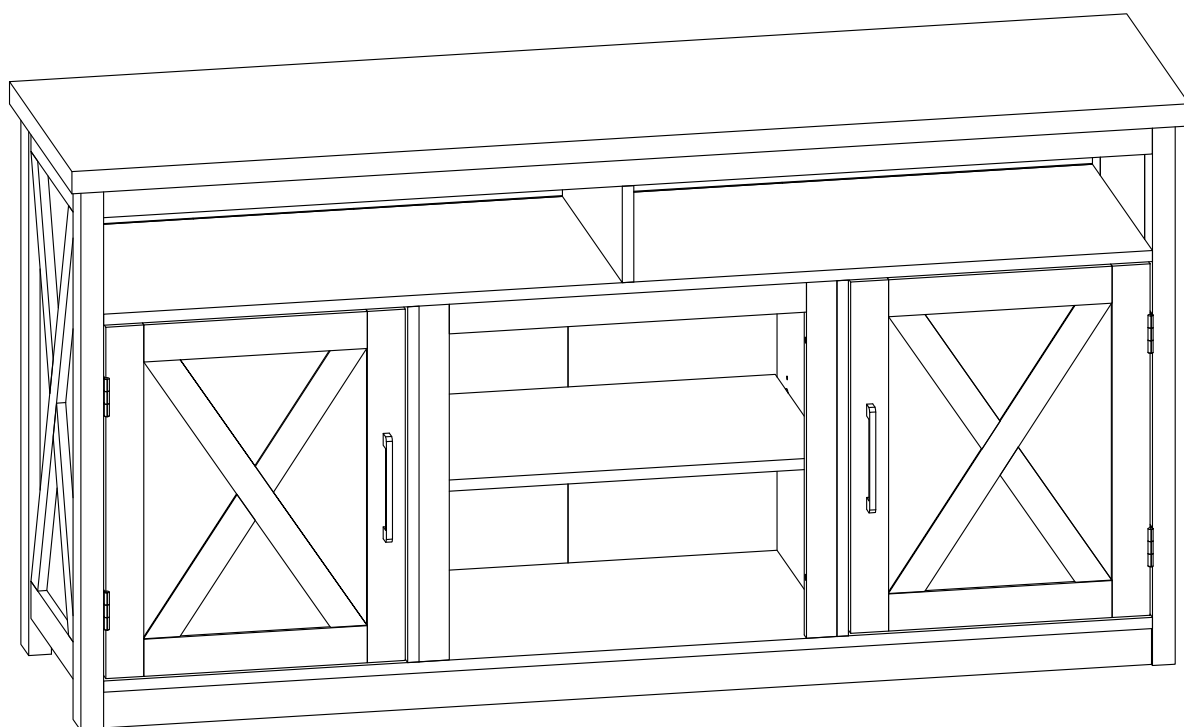


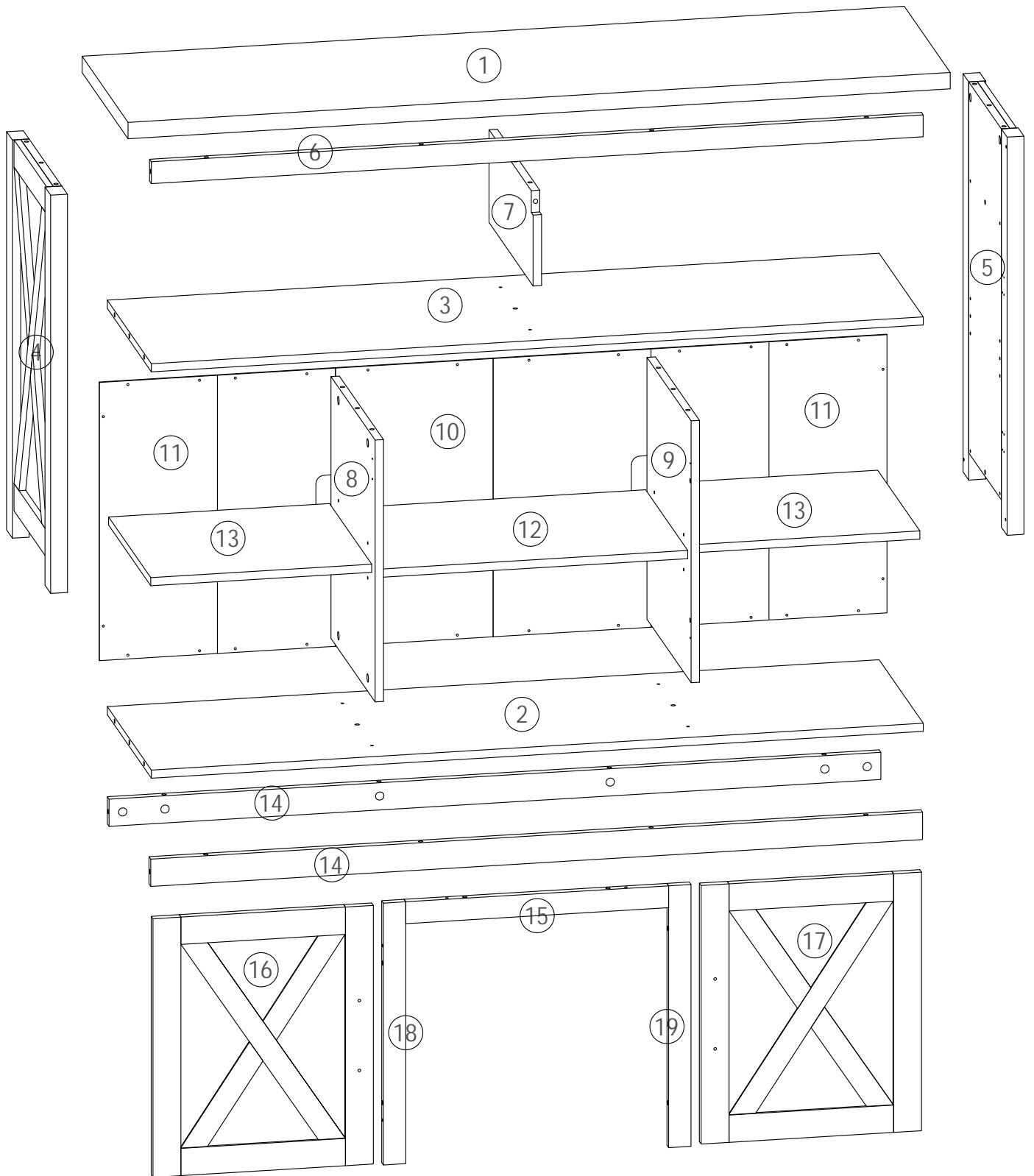
## Barn door TV Stand

### Assembly Instructions

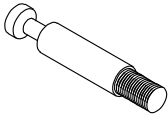
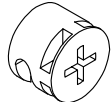
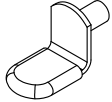
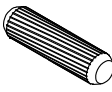
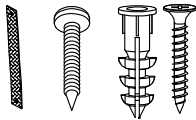

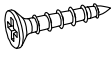
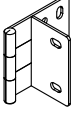
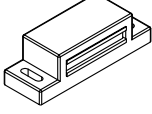

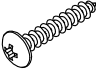
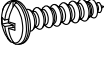



**NOTE:** This instruction manual contains **IMPORTANT** safety information.  
Please read carefully before assembling the product

# List of Parts

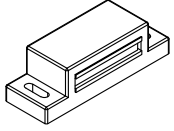


## List of Hareware

No.	Hare ware	Quantity
A		49
B		49
C		12
D		18
E		2
F		4
G		32
H		4
I		2
J		4
K		32
L		4
M		2

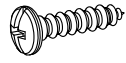
# STEP1

I

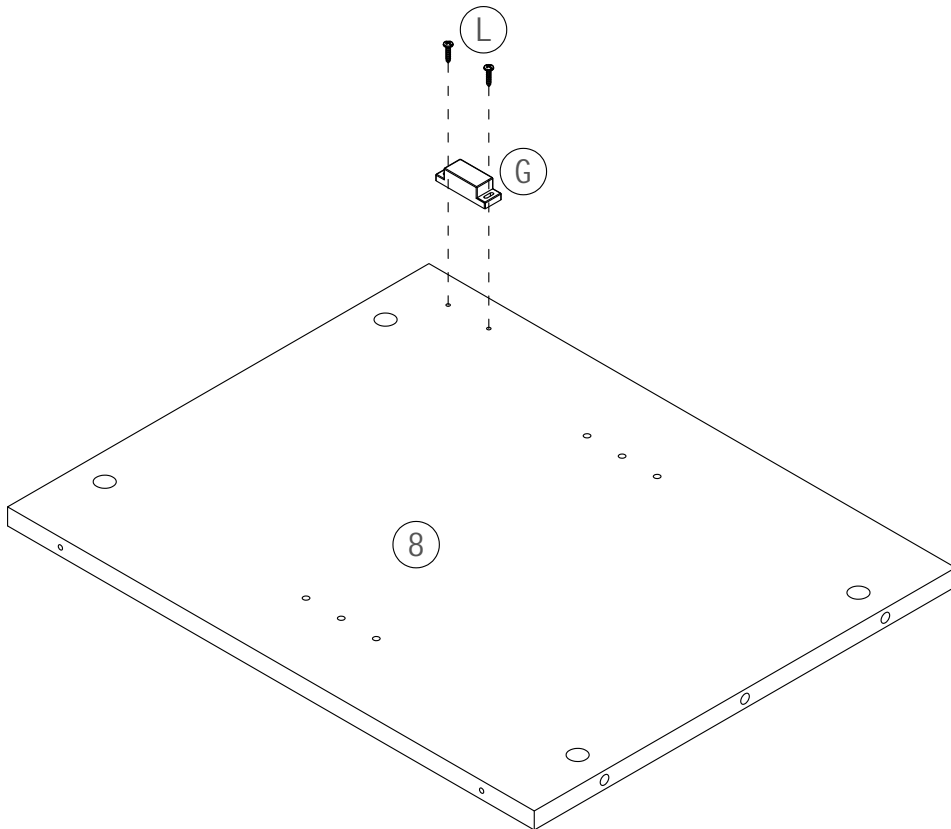
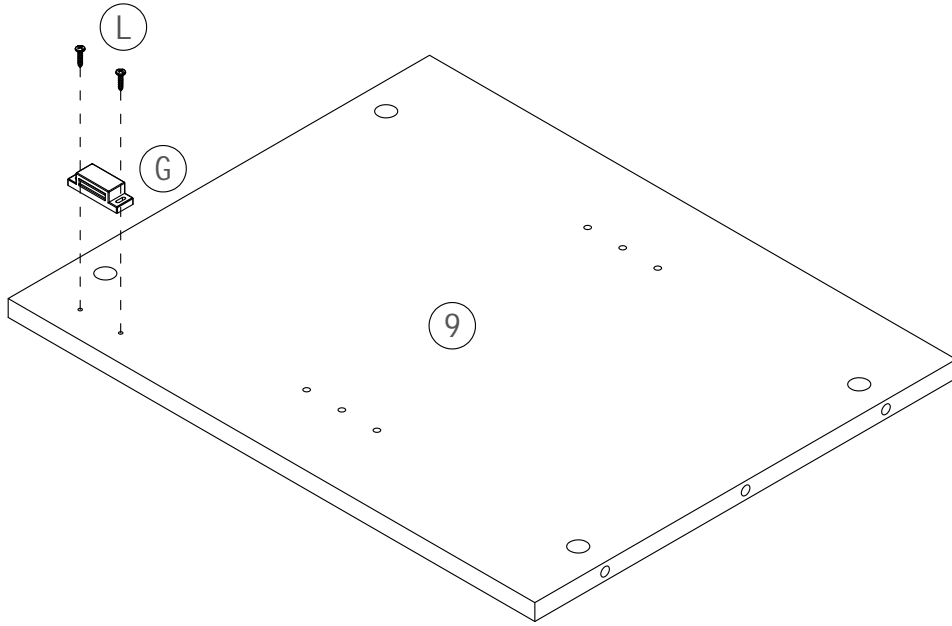


2 PCS

L

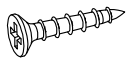


4 PCS



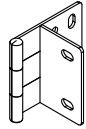
# STEP2

G

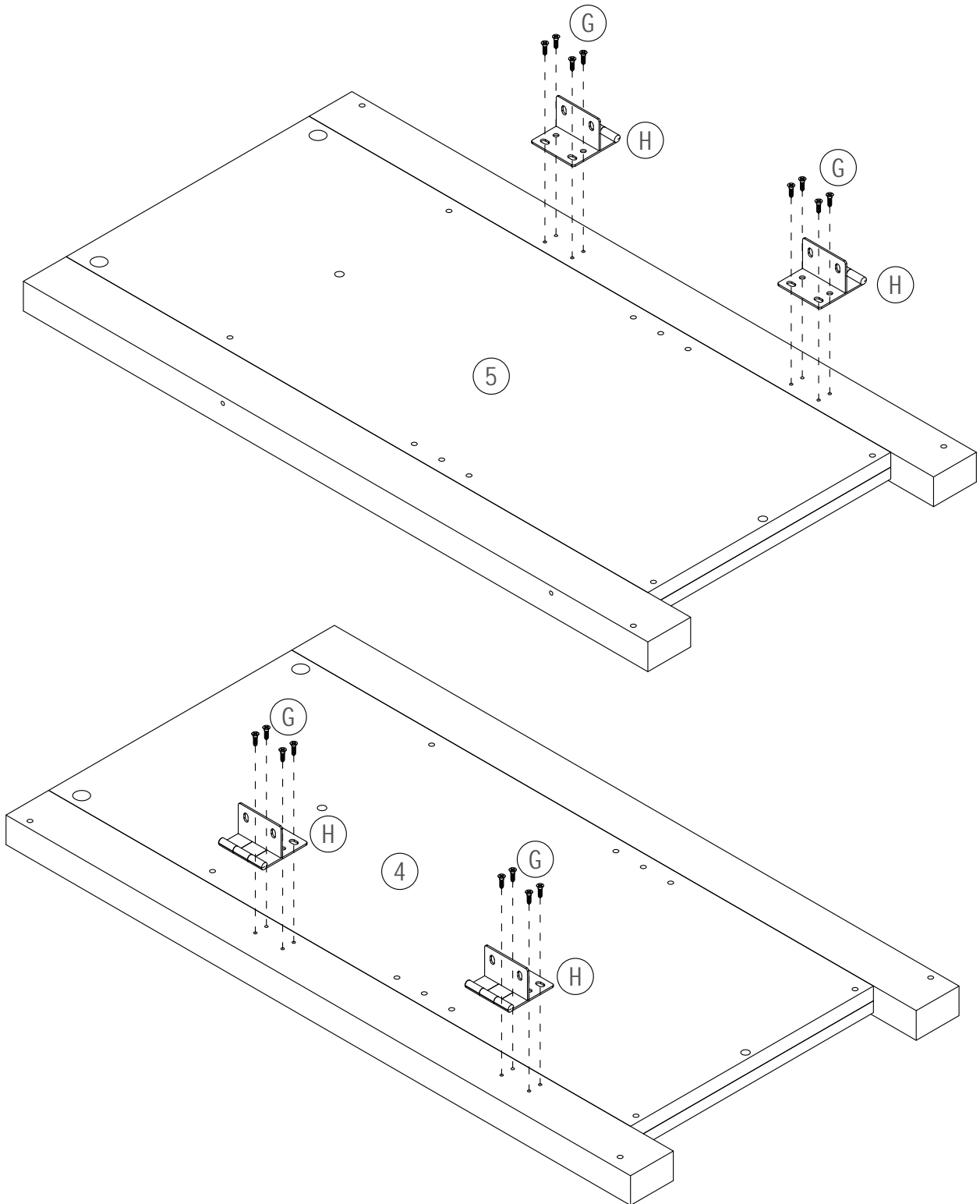


16 PCS

H

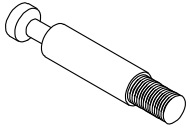


4 PCS



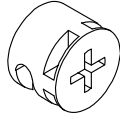
# STEP3

A

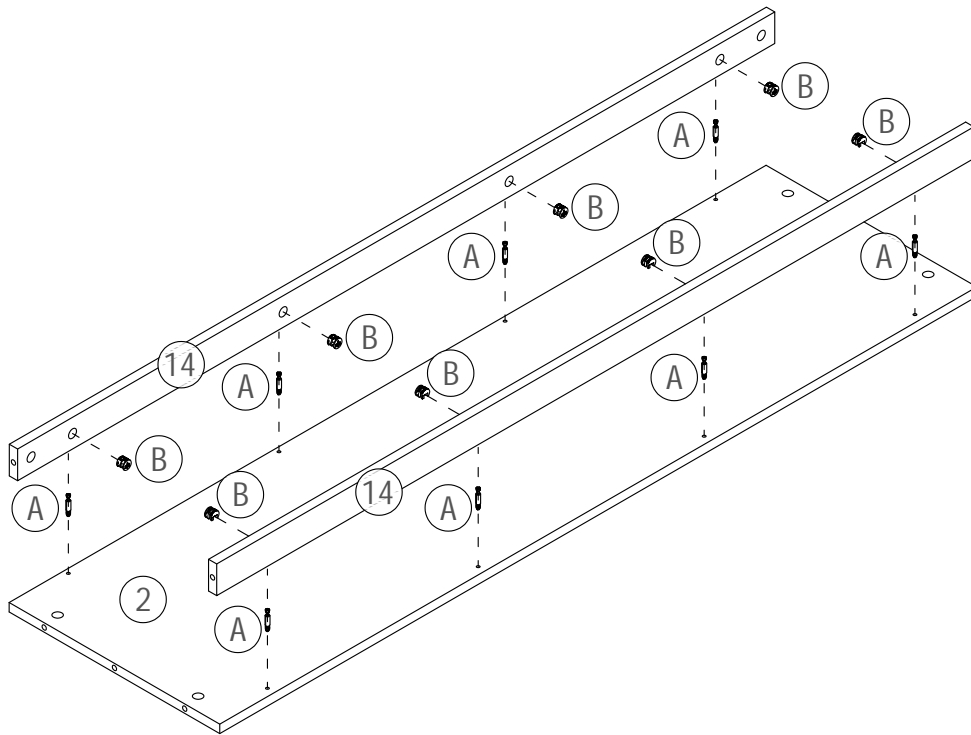


8 PCS

B

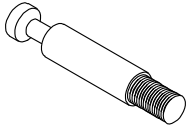


8 PCS



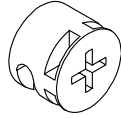
# STEP4

A



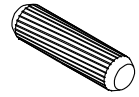
8 PCS

B

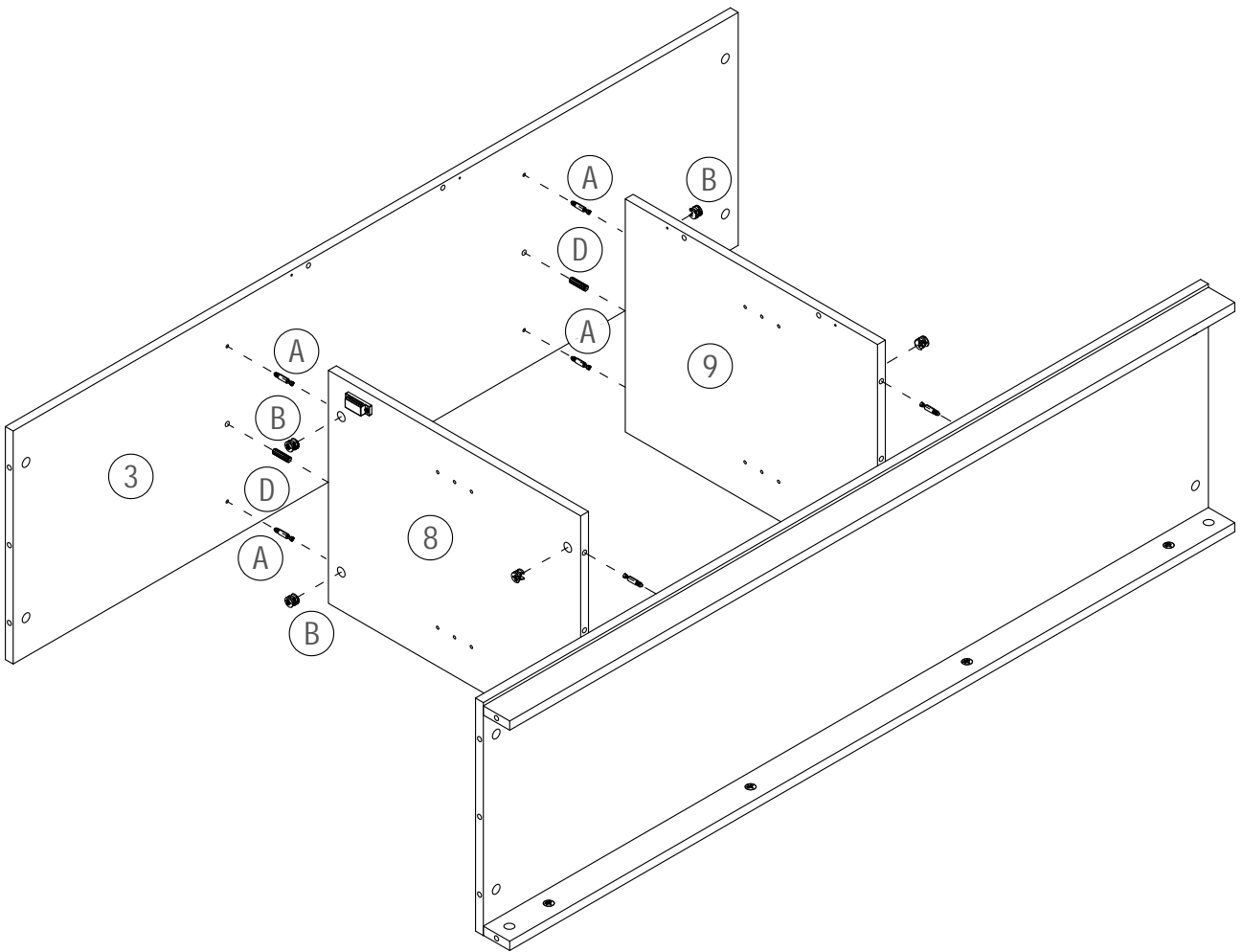


8 PCS

D

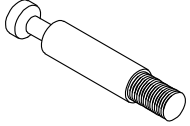


4 PCS



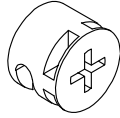
# STEP5

A



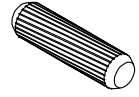
2 PCS

B

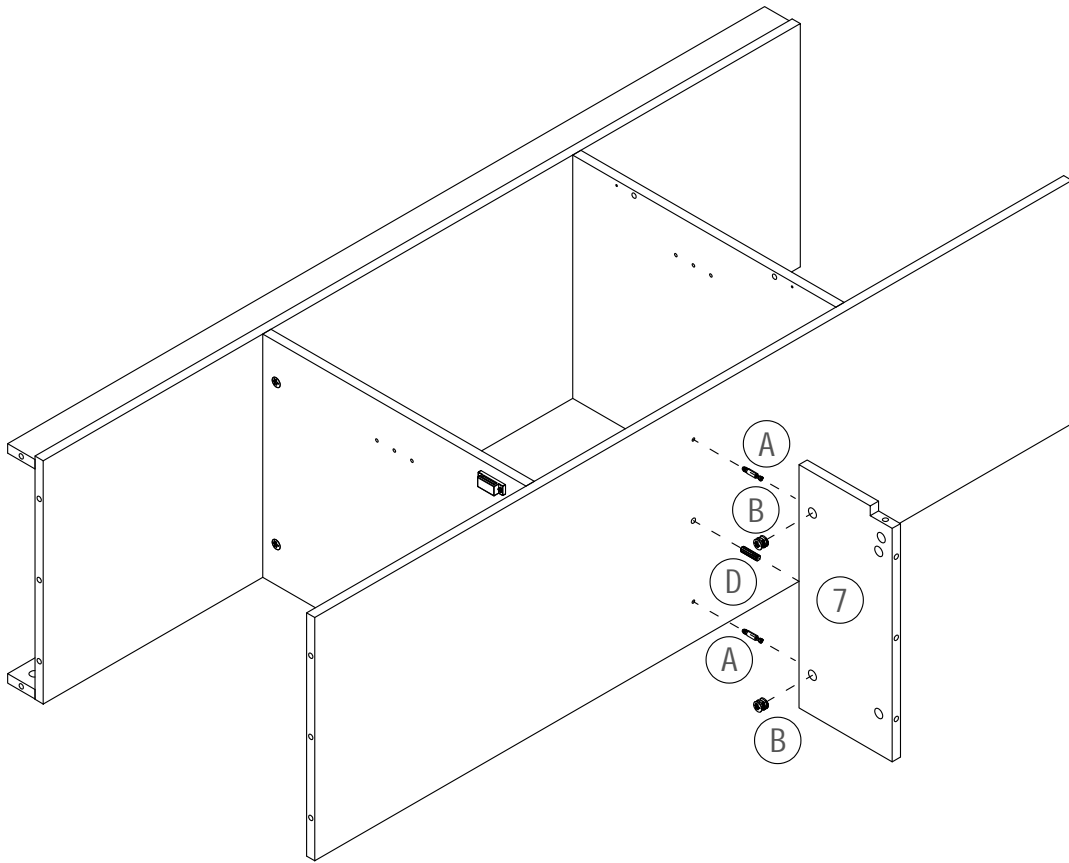


2 PCS

D

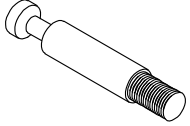


1 PCS



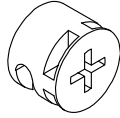
# STEP6

A

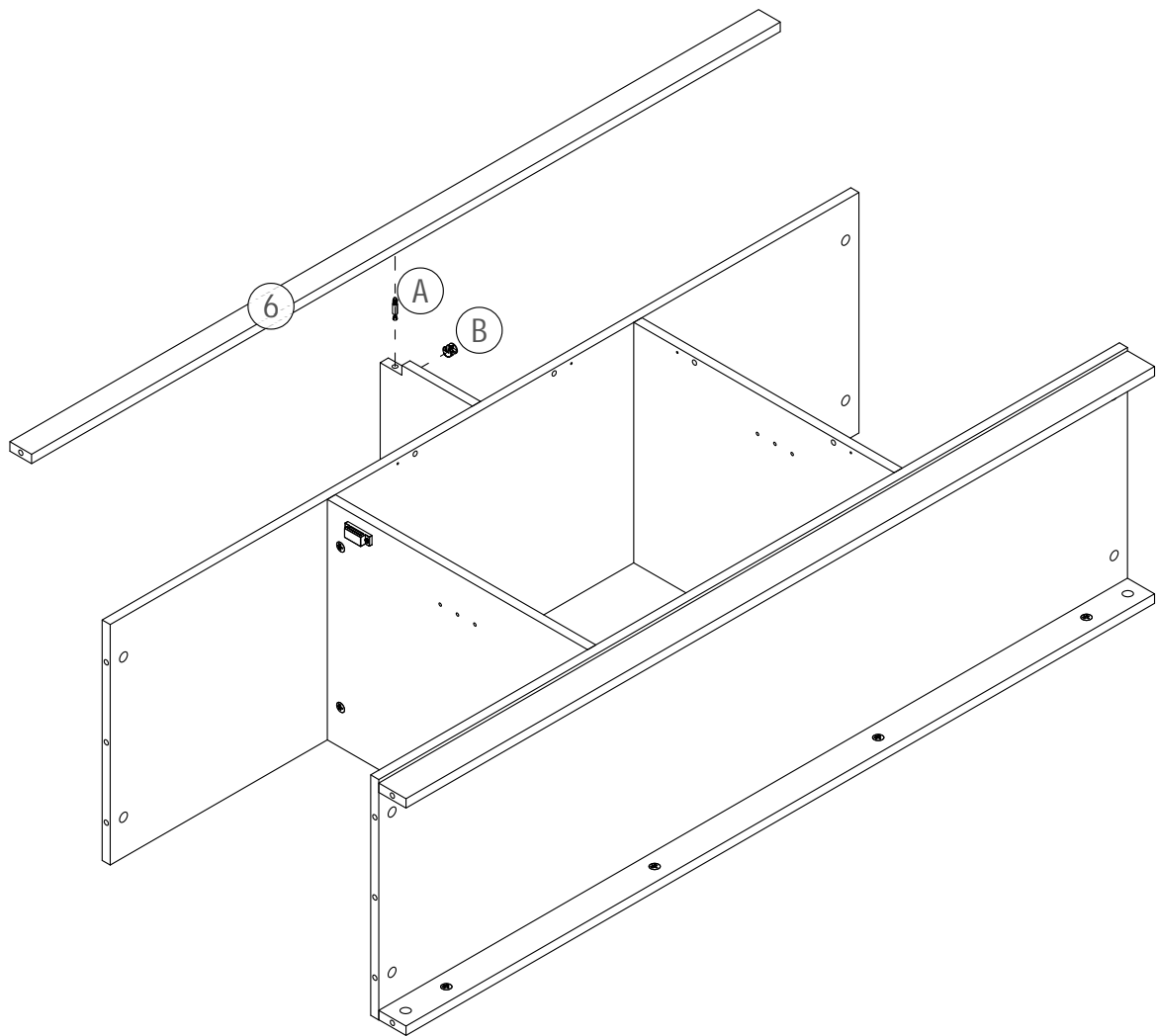


1 PCS

B

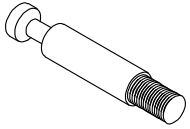


1 PCS



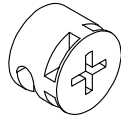
# STEP 7

A



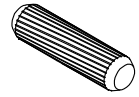
14 PCS

B

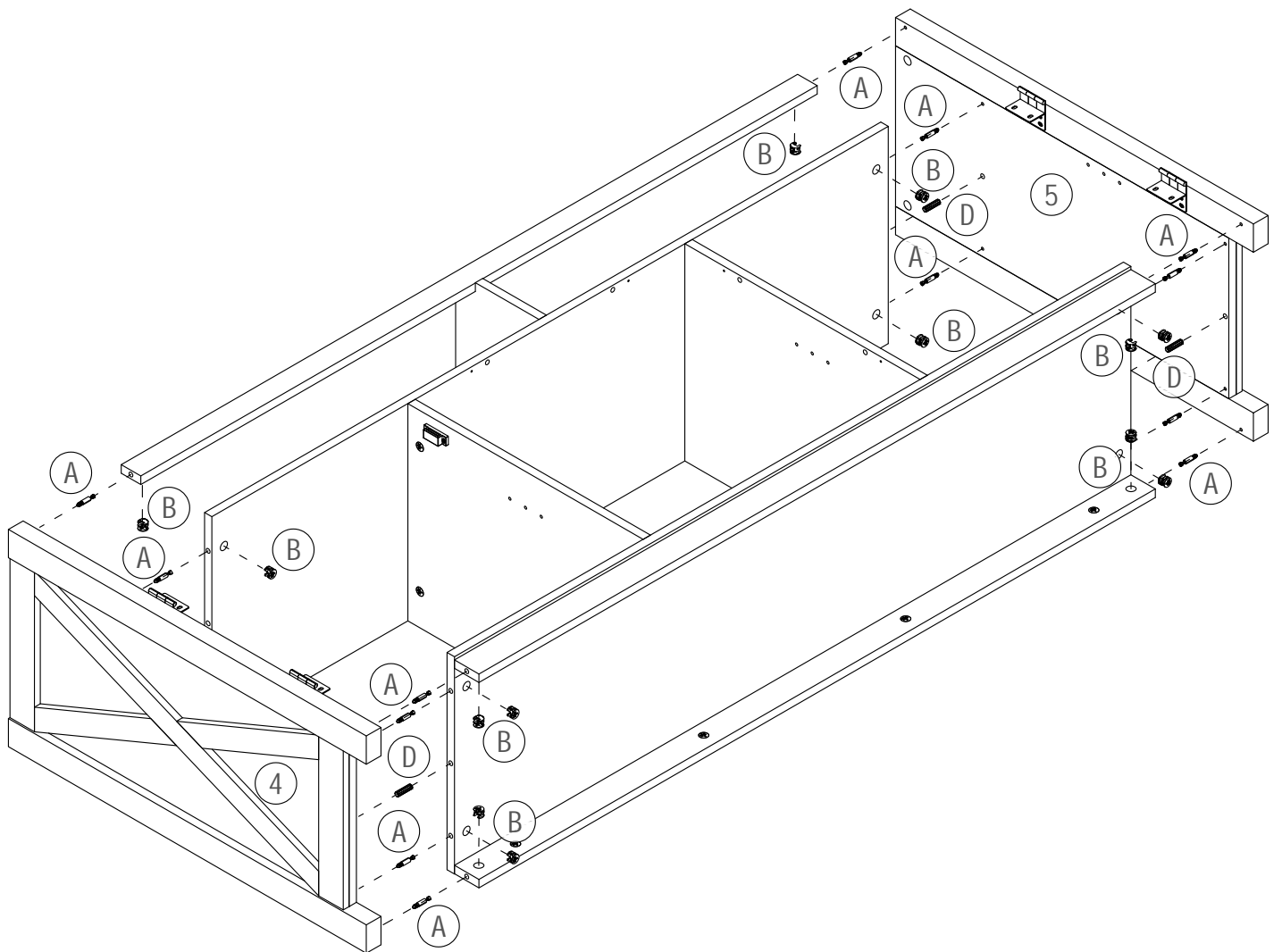


14 PCS

D

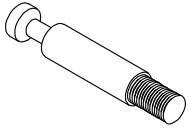


4 PCS



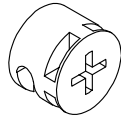
# STEP 8

A



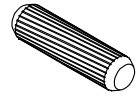
10 PCS

B

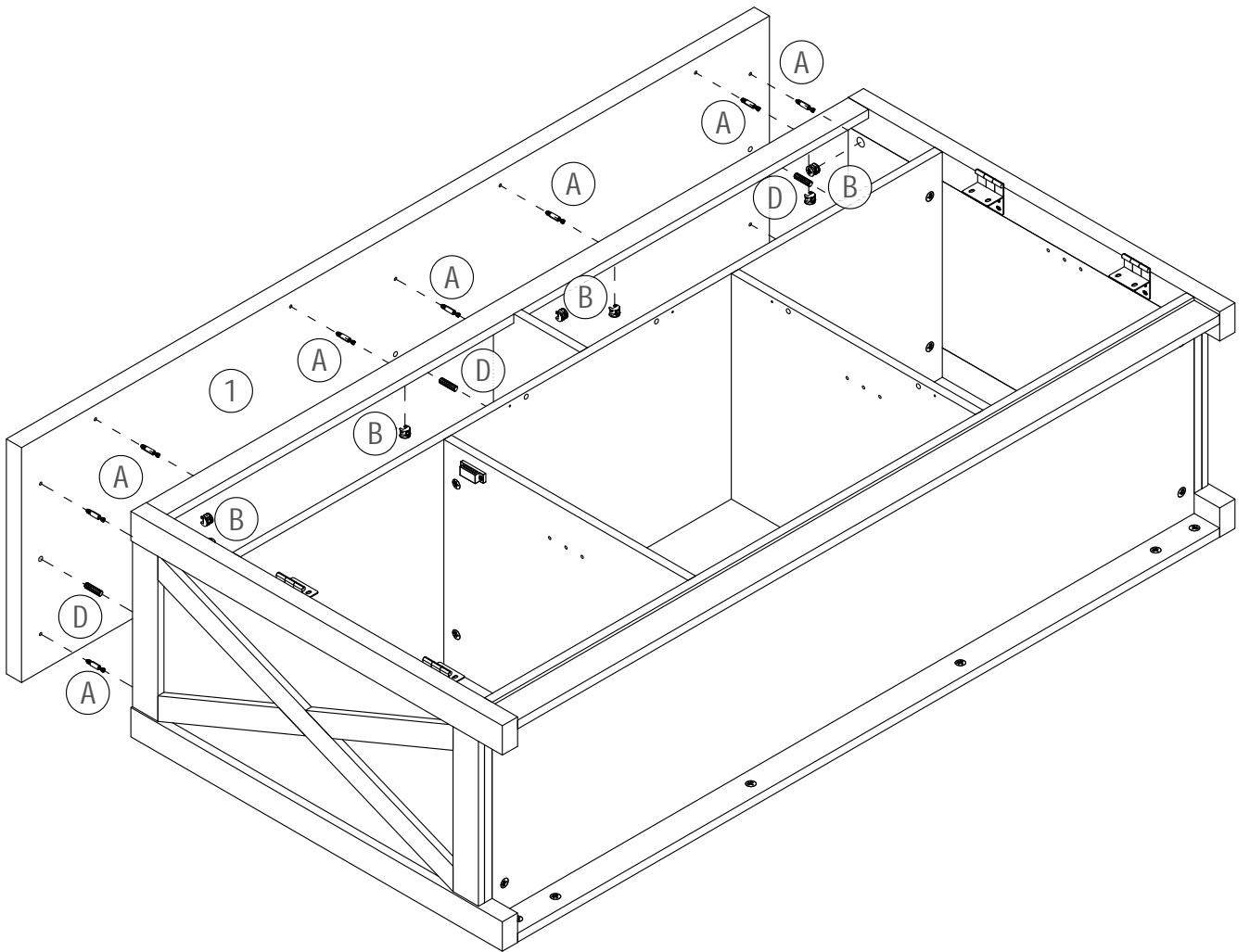


10 PCS

D

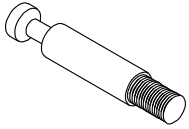


3 PCS



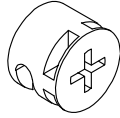
# STEP9

A



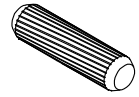
4 PCS

B

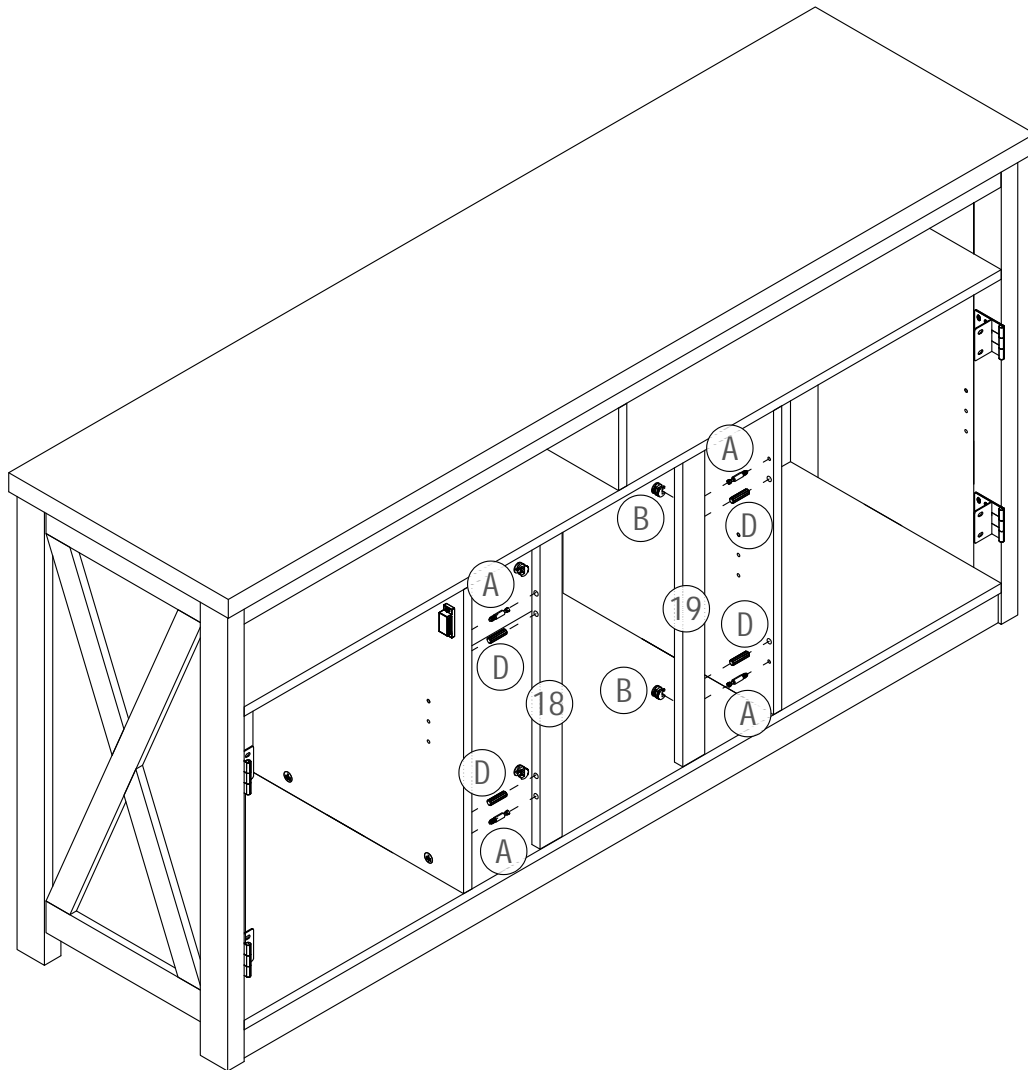


4 PCS

D

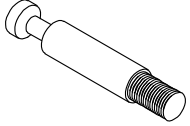


4 PCS



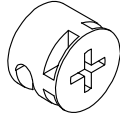
# STEP10

A



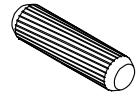
2 PCS

B

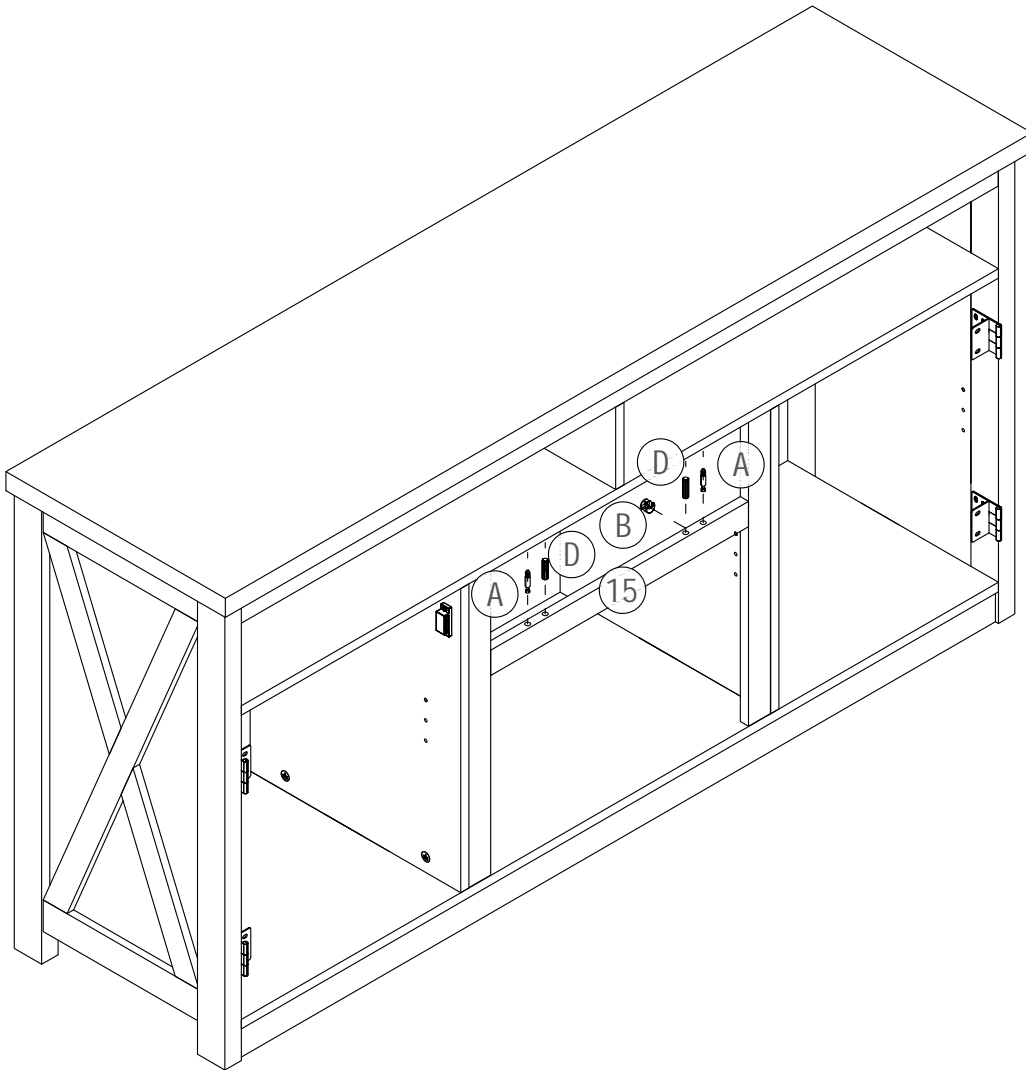


2 PCS

D

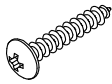


2 PCS

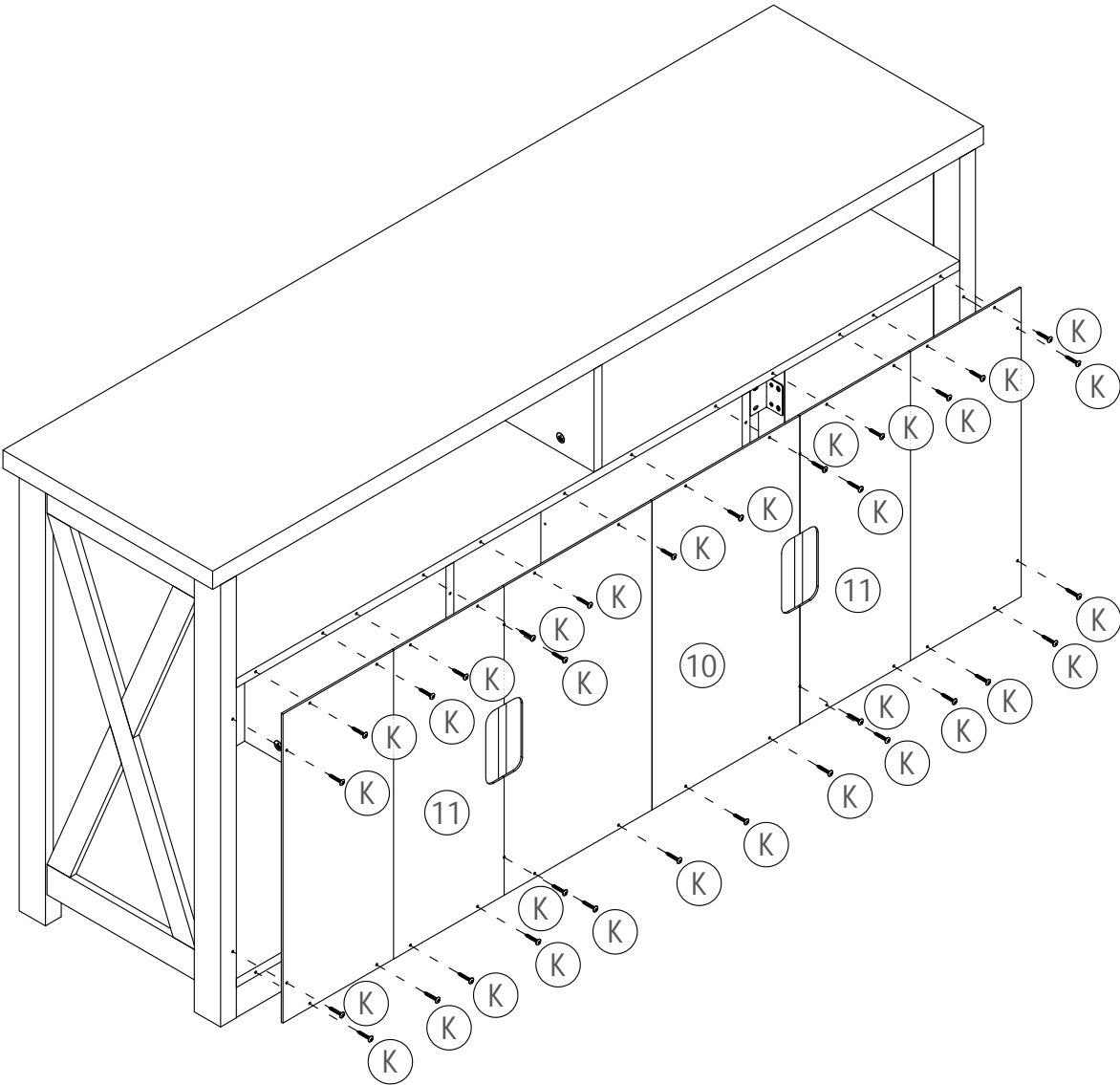


# STEP11

K

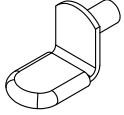


32 PCS

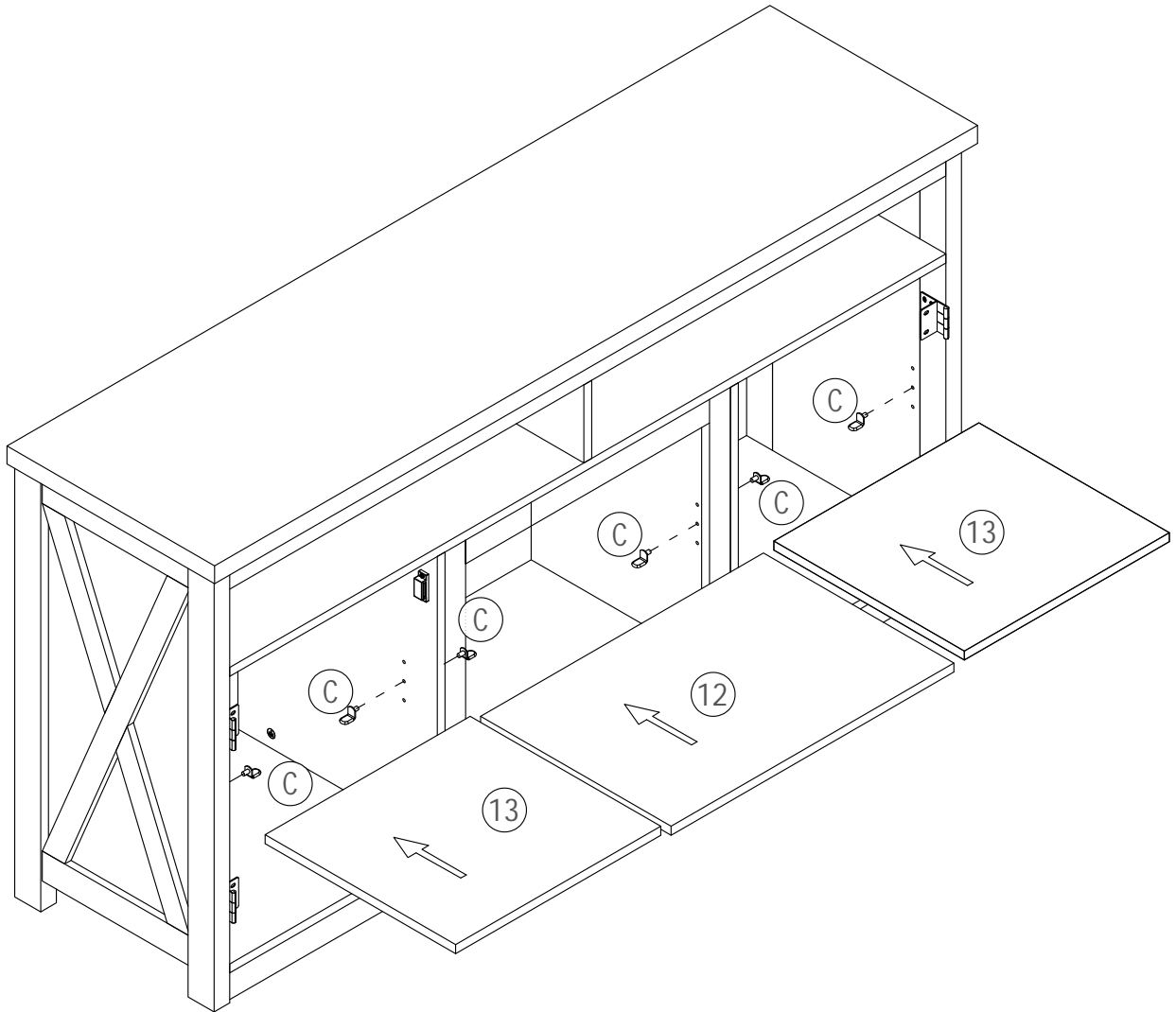


# STEP12

C

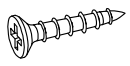


12 PCS



# STEP13

G



4 PCS

F



2 PCS

J

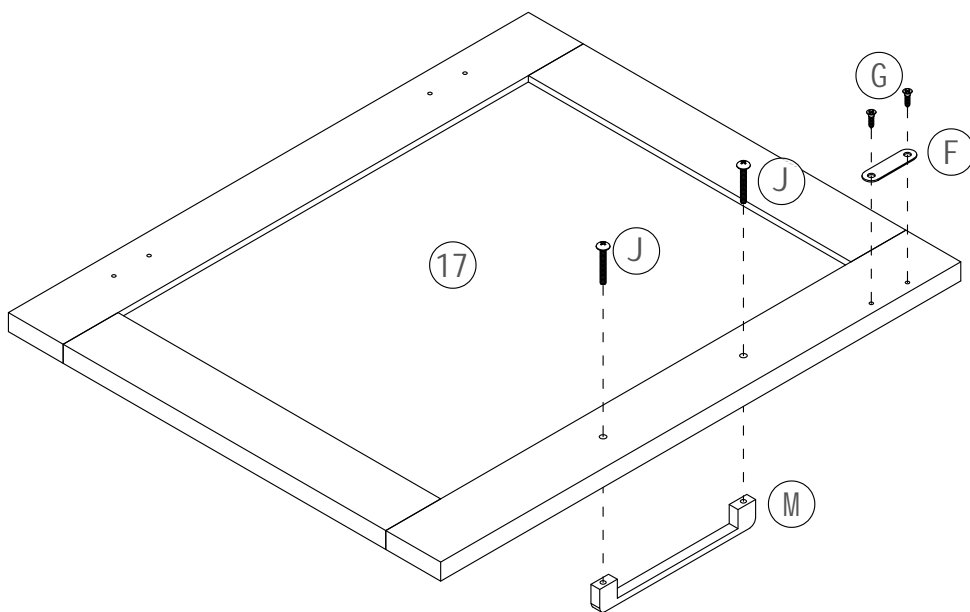
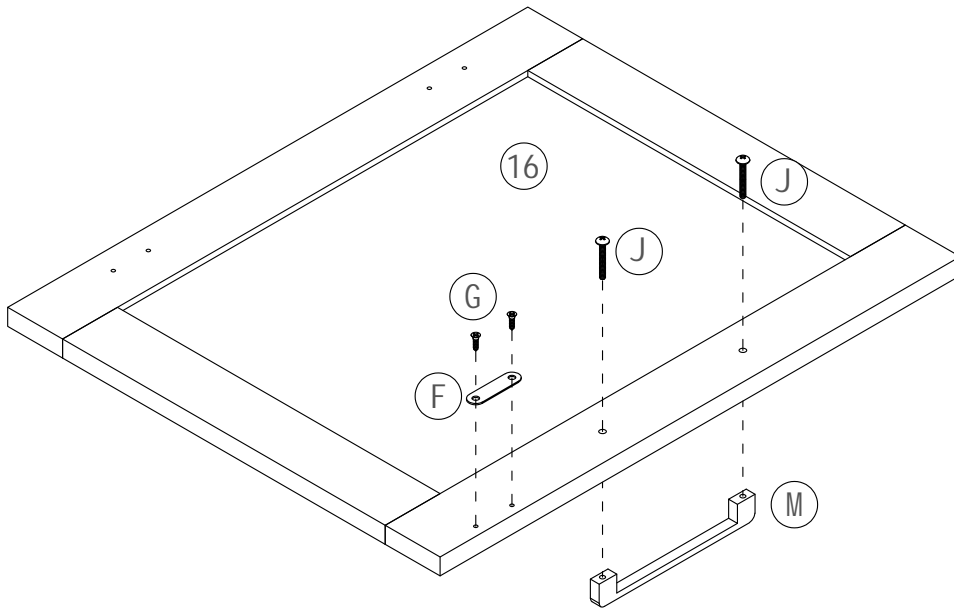


4 PCS

M

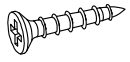


2 PCS

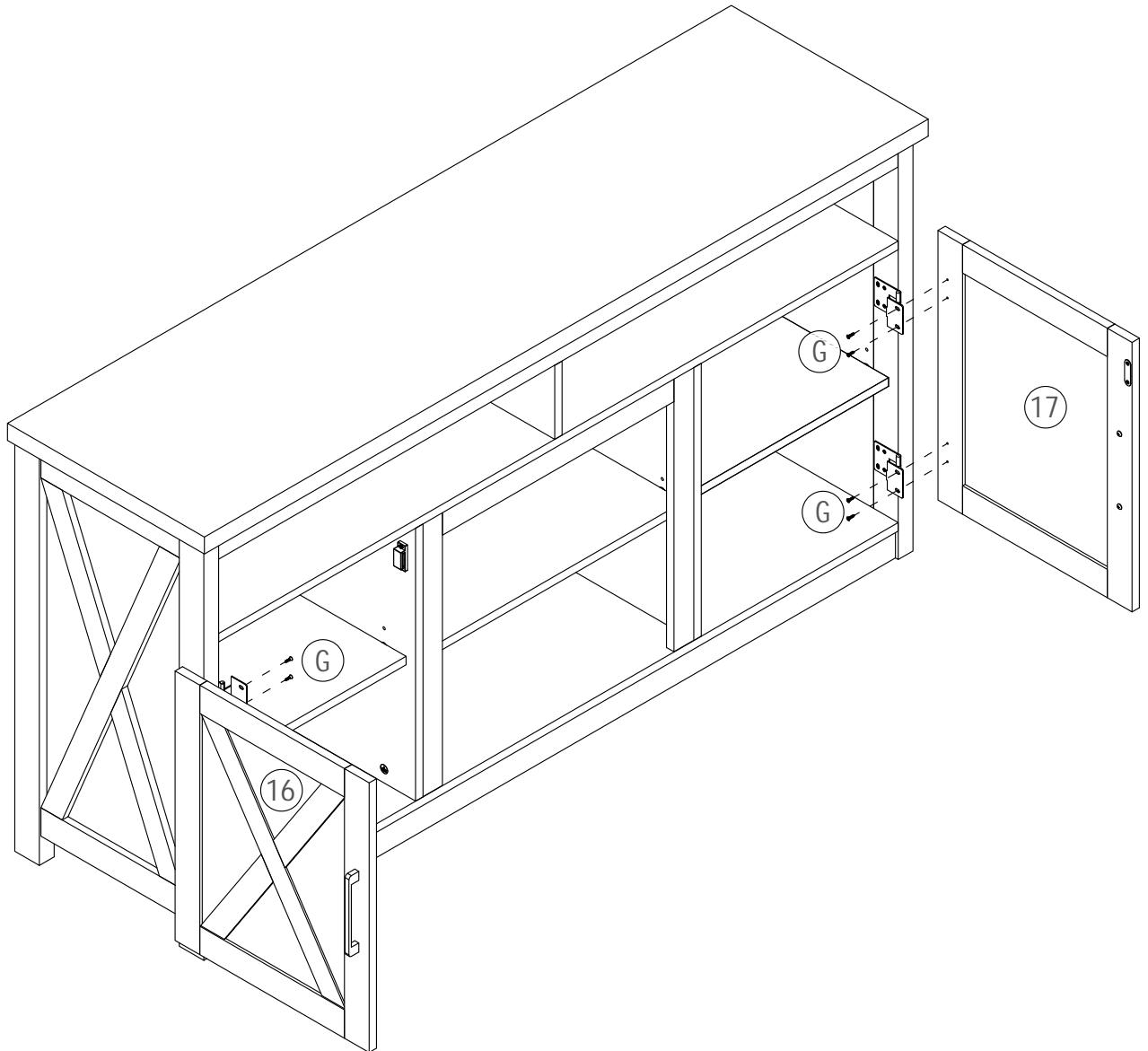


# STEP14

G

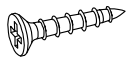


8 PCS



# STEP15

G

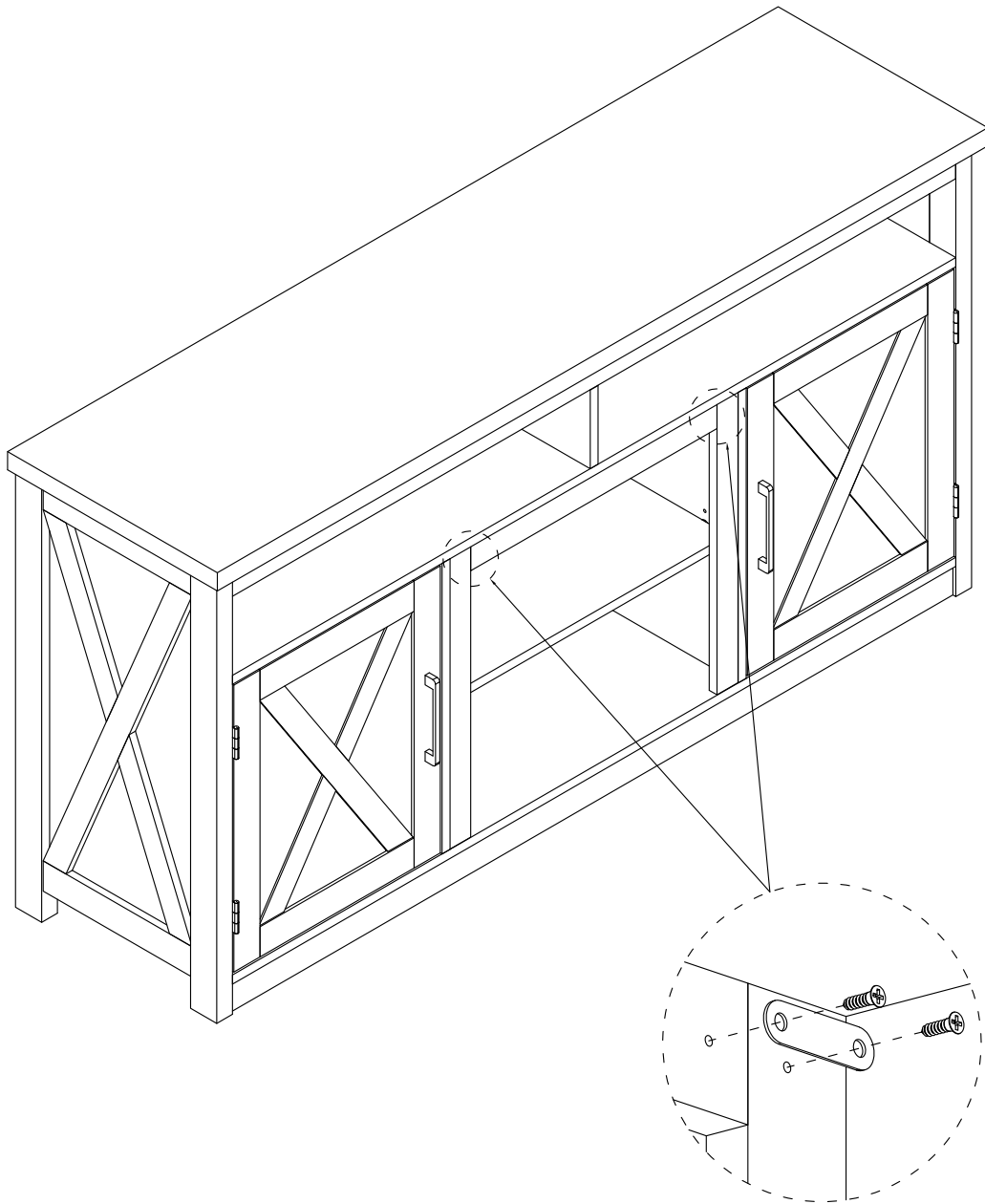


4 PCS

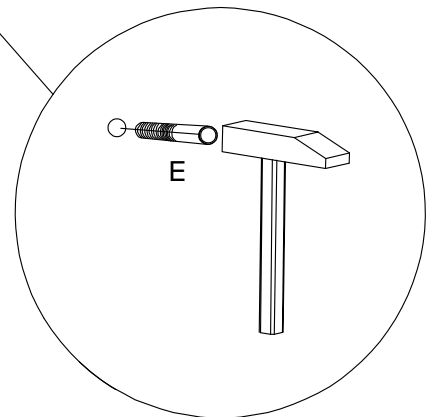
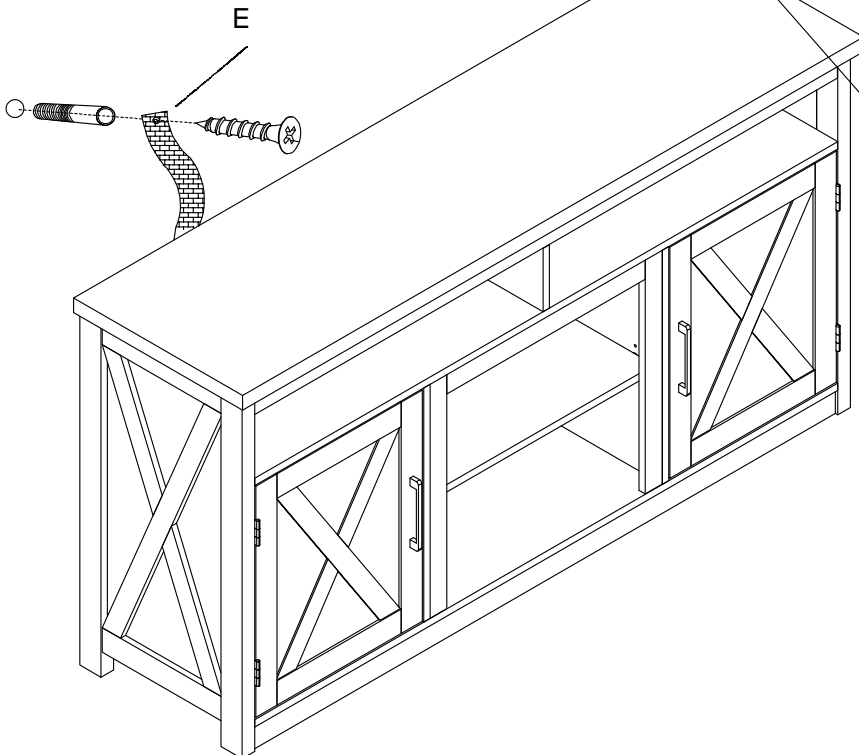
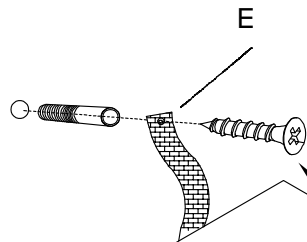
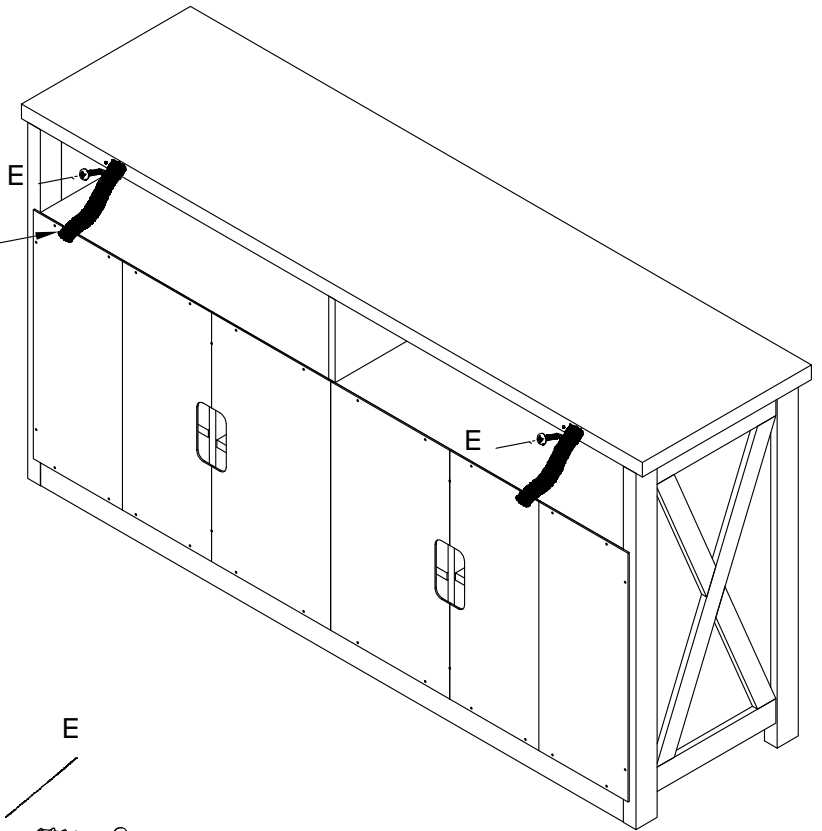
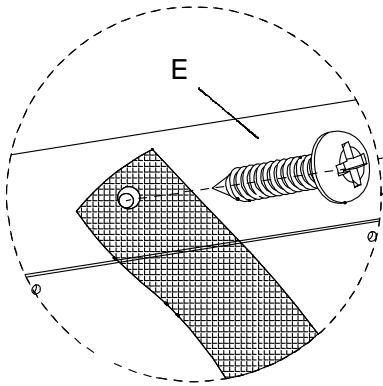
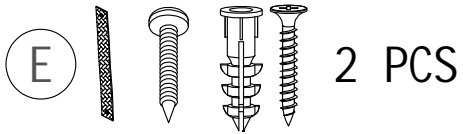
F



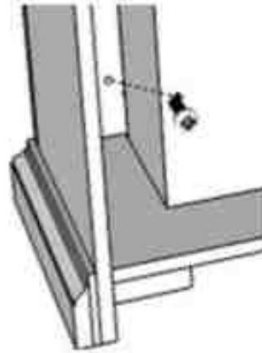
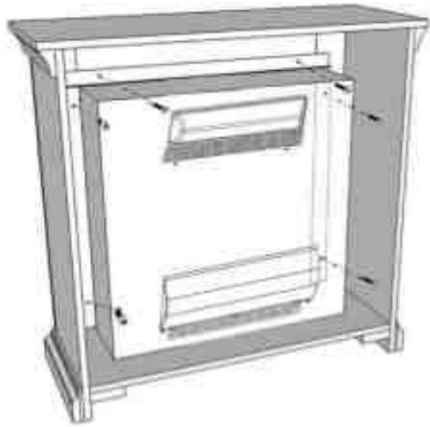
2 PCS



# STEP 16



If you purchased an optional fireplace,  
Please refer to the next page for installation.



## **FIREPLACE INSTALLATION**

If you decide to install the fireplace into the mantel, carefully set the unit from the back of the mantel and center it in the opening.

Check the alignment and attach the unit to the mantel by inserting screws through the drilled holes on the trim to the mantel.

**NOTE:** Do not attempt to install the unit from the front of the mantel. It will not fit.