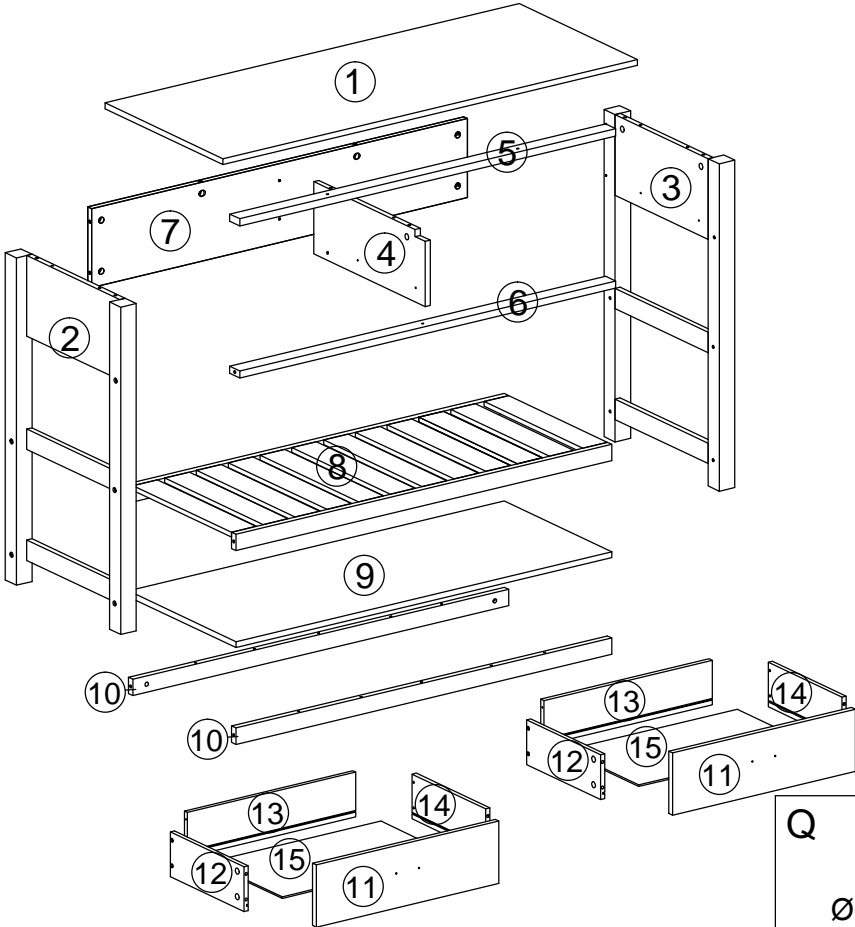
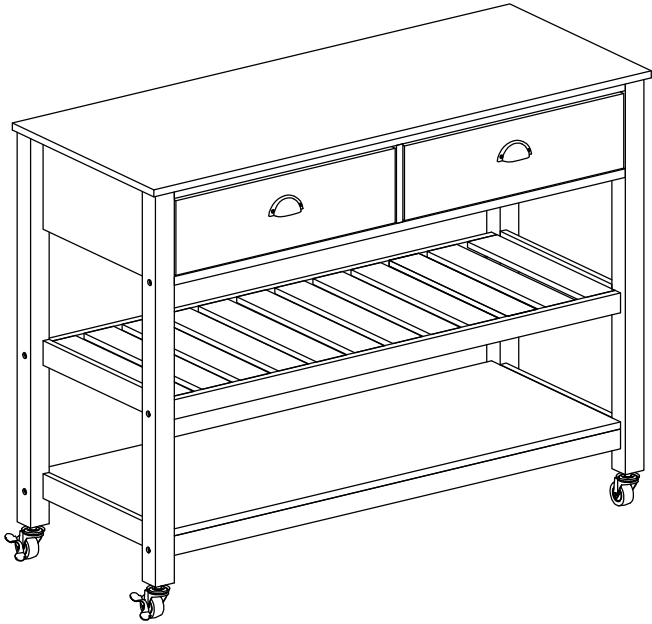

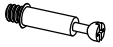









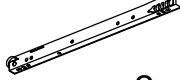
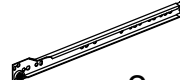
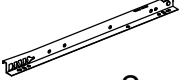





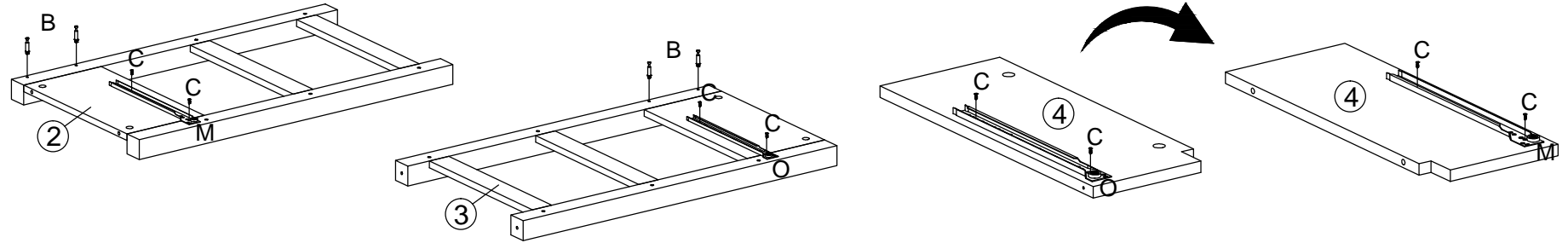
ASSEMBLY INSTRUCTIONS



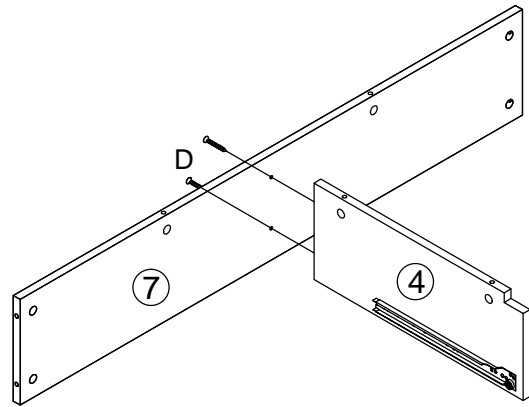
<p>A  $\text{\O}15 \times 10 \text{mm}$ x20pcs</p>	<p>B  $\text{\O}6 \times 35 \text{mm}$ x20pcs</p>	<p>C  $\text{\O}3 \times 12 \text{mm}$ x20pcs</p>	<p>D  $\text{\O}4 \times 35 \text{mm}$ x17pcs</p>	<p>E  $\text{\O}6 \times 60 \text{mm}$ x10pcs</p>	<p>F  $\text{\O}10 \times 10 \text{mm}$ x10pcs</p>	<p>G  $\text{\O}4 \times 30 \text{mm}$ x2pcs</p>	<p>H  x2pcs</p>
<p>I  x2pcs</p>	<p>J  x1pc</p>	<p>K  x2pcs</p>	<p>L  x2pcs</p>	<p>M  x2pcs</p>	<p>N  x2pcs</p>	<p>O  x2pcs</p>	<p>P  x1pc</p>

Q 
 $\text{\O}6 \times 30 \text{mm}$
 x4pcs

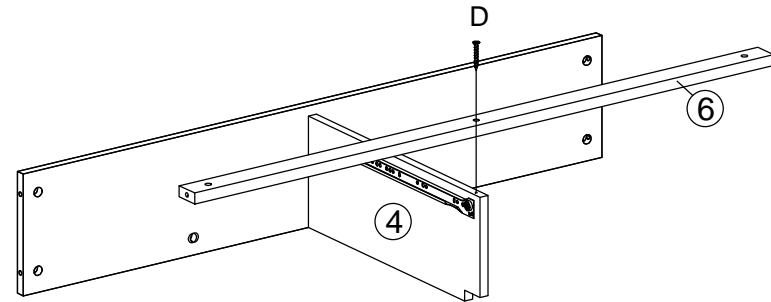
Step 1



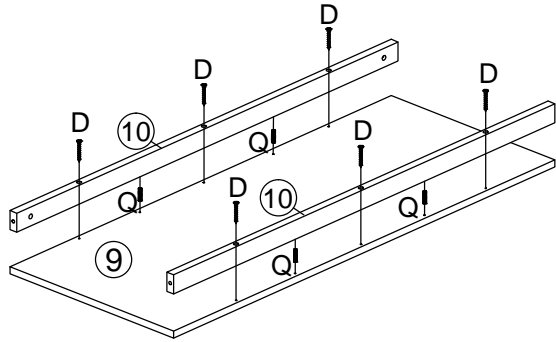
Step 2



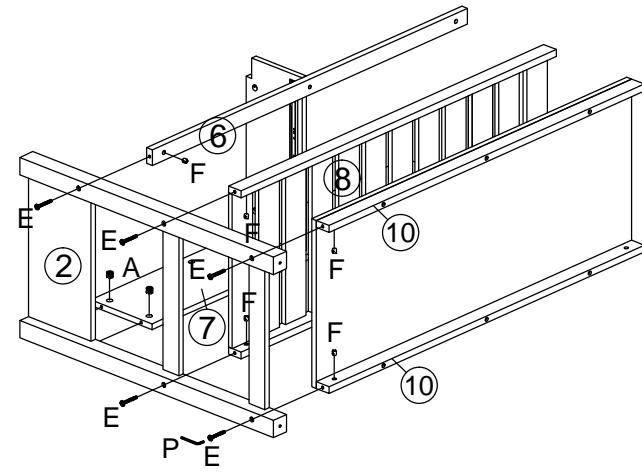
Step 3



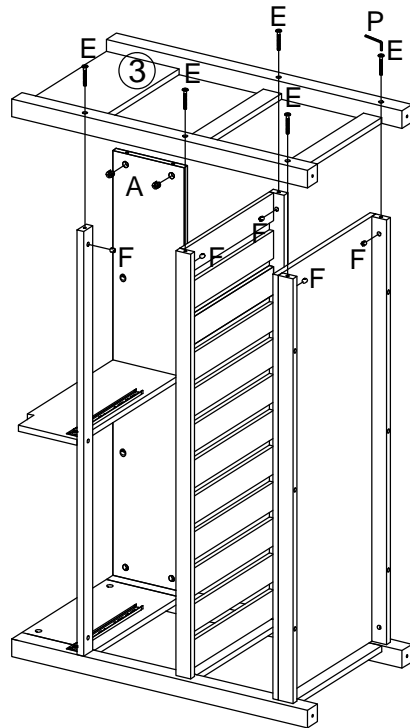
Step 4



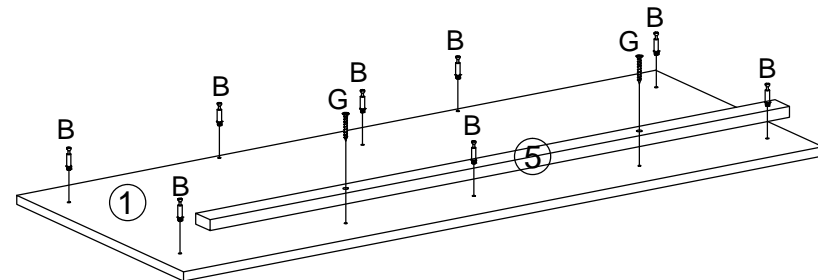
Step 5



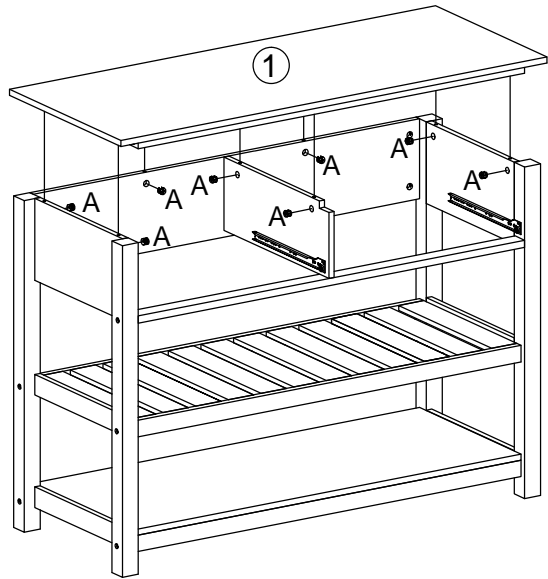
Step 6



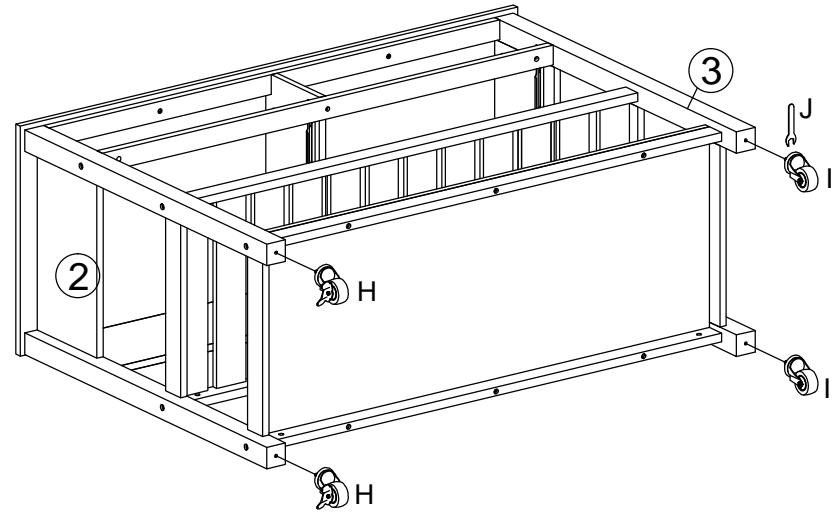
Step 7



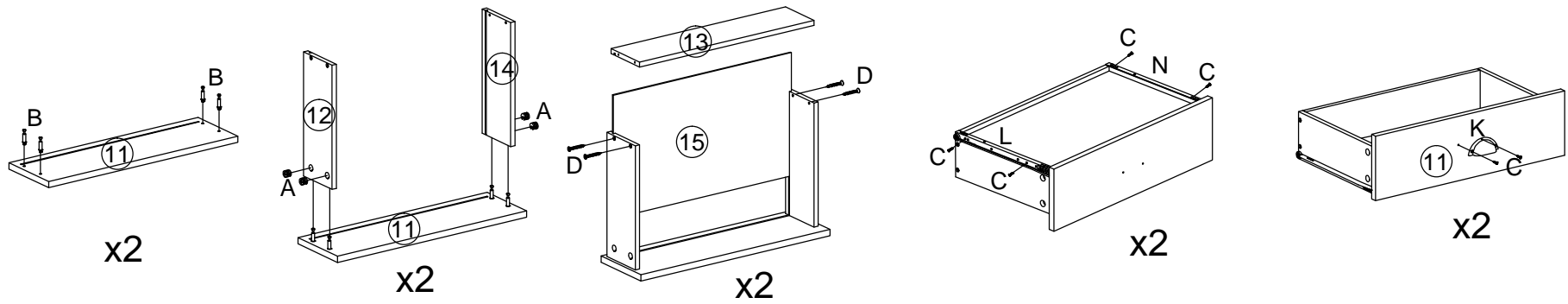
Step 8



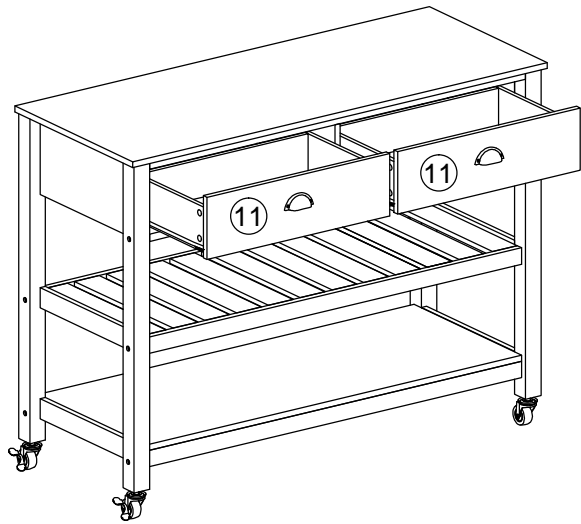
Step 9



Step 10



Step 11



Step 12

