

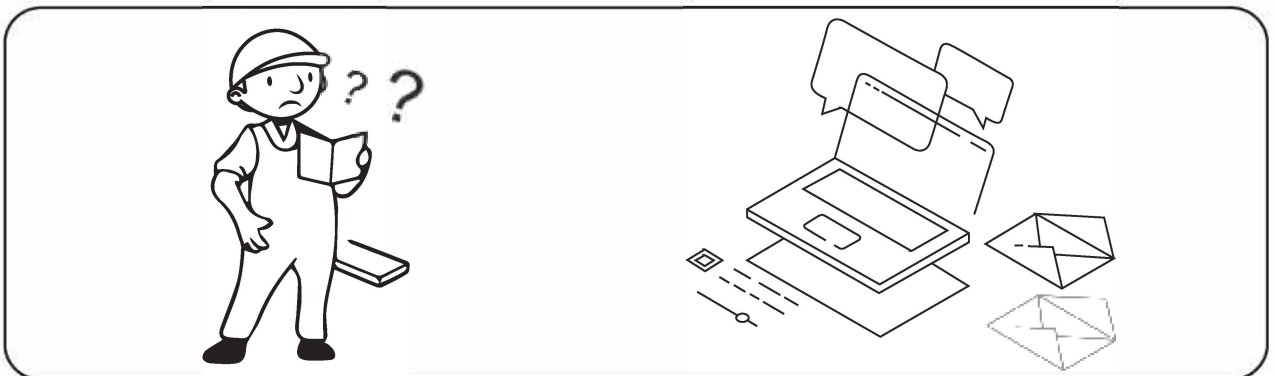
# INSTALLATION MANUAL



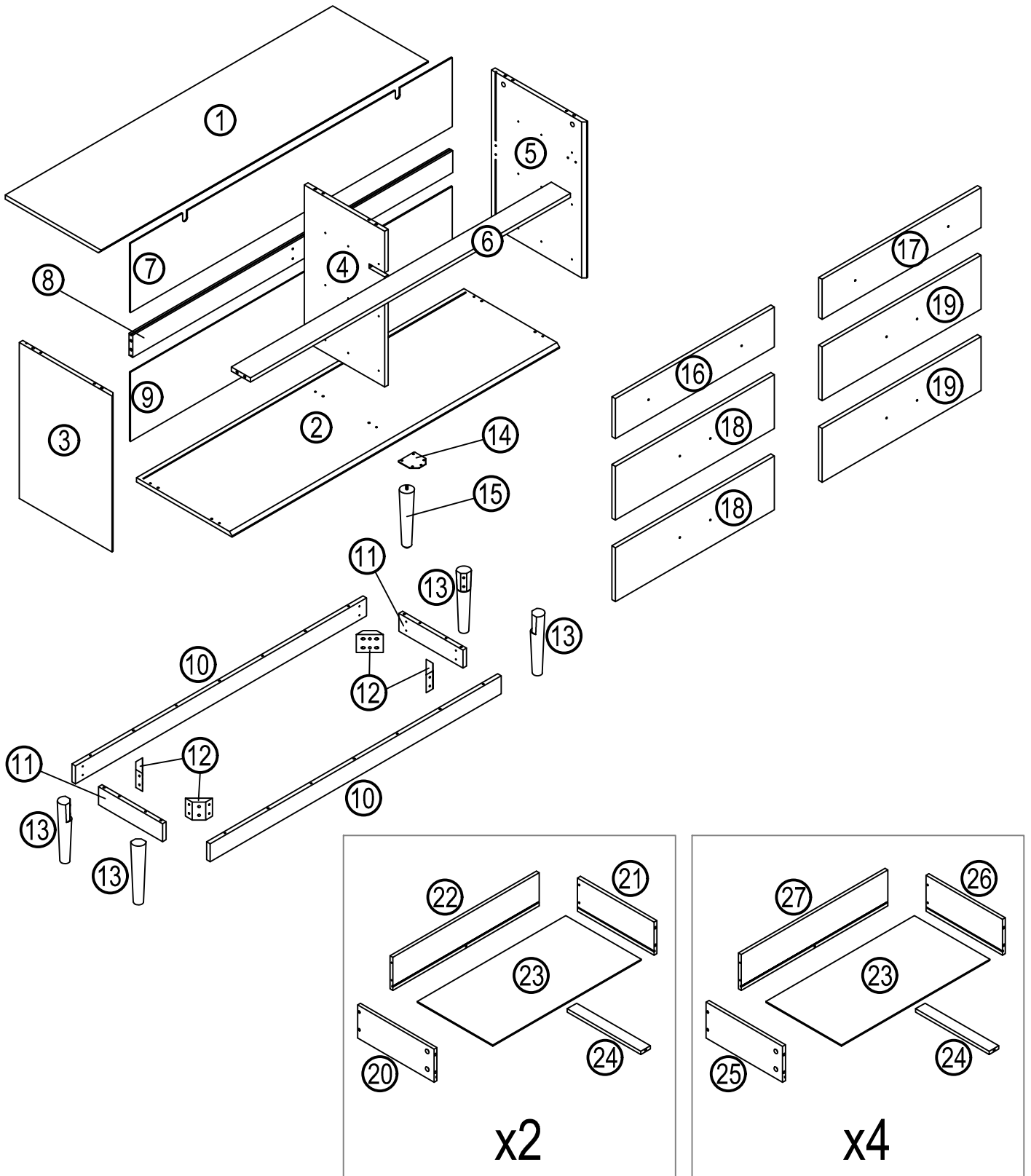
\*Guests need to prepare their own :

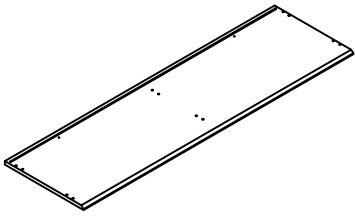


Phillips screwdriver

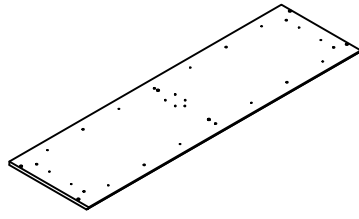


# PAKIS

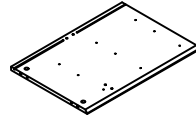




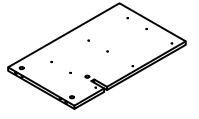
① x 1PC



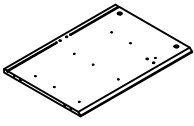
② x 1PC



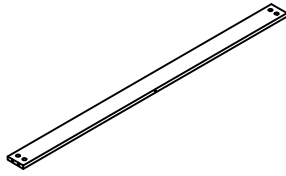
③ x 1PC



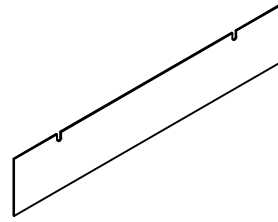
④ x 1PC



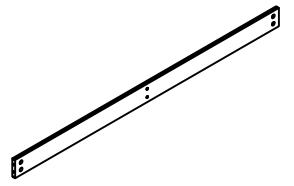
⑤ x 1PC



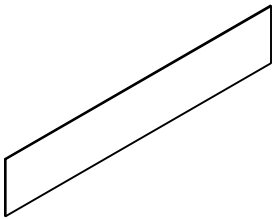
⑥ x 1PC



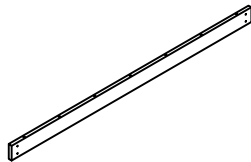
⑦ x 1PC



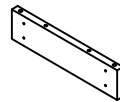
⑧ x 1PC



⑨ x 1PC



⑩ x 2PCS



⑪ x 2PCS



⑫ x 4PCS



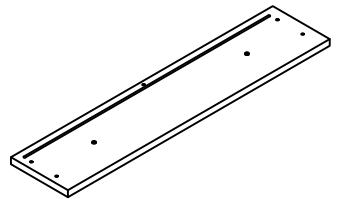
⑬ x 4PCS



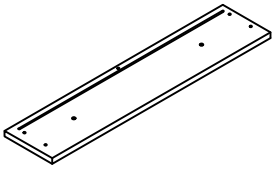
⑭ x 1PC



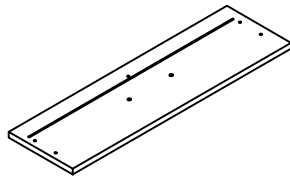
⑮ x 1PC



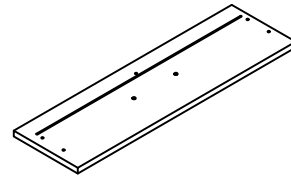
⑯ x 1PC



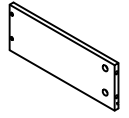
⑰ x 1PC



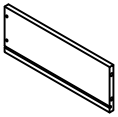
⑱ x 2PCS



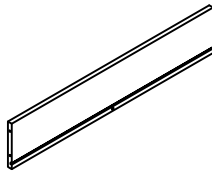
⑲ x 2PCS



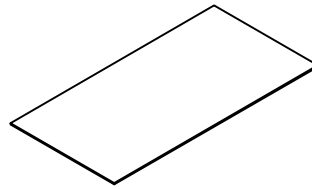
⑳ x 2PCS



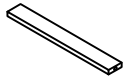
㉑ x 2PCS



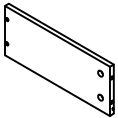
㉒ x 2PCS



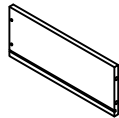
㉓ x 6PCS



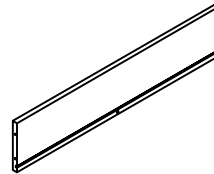
㉔ x 6PCS



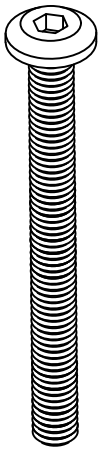
㉕ x 4PCS



㉖ x 4PCS

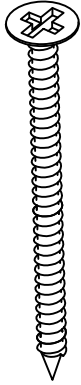


㉗ x 4PCS



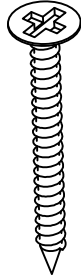
M6 x 50

A x 8 (+1)



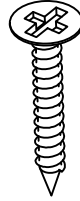
M4 x 50

B x 12 (+1)



M4 x 35

C x 40 (+4)



M4 x 25

D x 16 (+2)



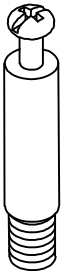
M3 x 14

E x 10 (+1)



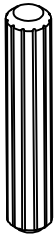
M3.5 x 12

F x 72 (+8)



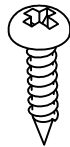
M6 x 35

G x 45 (+5)



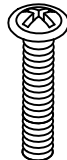
Ø6 x 30

H x 22 (+3)



M4 x 12

I x 2



M4 x 16

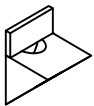
J x 12 (+2)



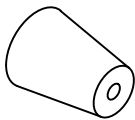
M4 x 14

K x 5

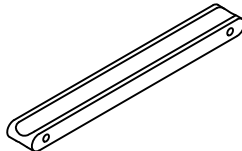
Scale 1 : 1



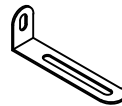
L x 10 (+1)



M x 4



N x 4



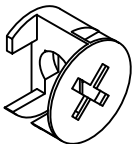
O x 2



P x 2



Q x 8 (+1)

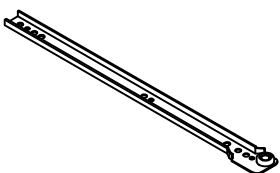


R x 45 (+5)

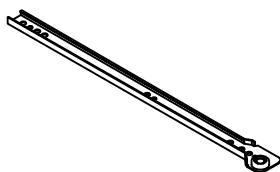


S x 1

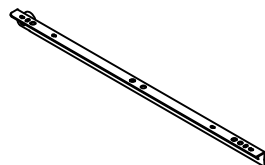
Note: Some screws include extra pieces for your convenience. Please keep them in case of future use.



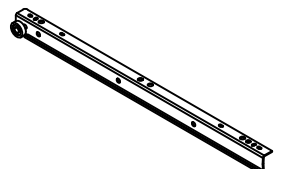
L = 300mm  
CL x 6






L = 300mm  
CR x 6

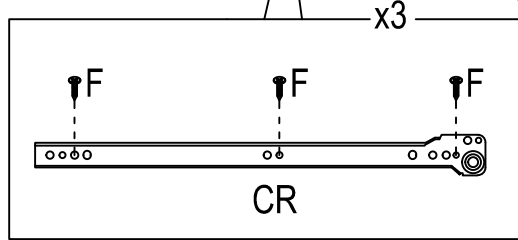
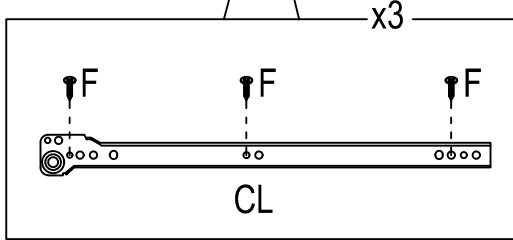
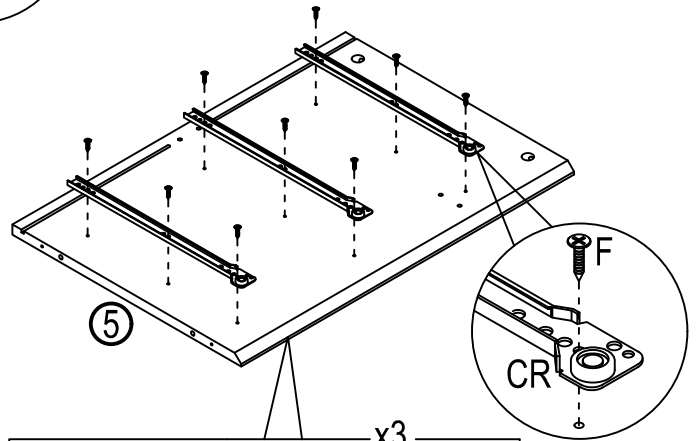
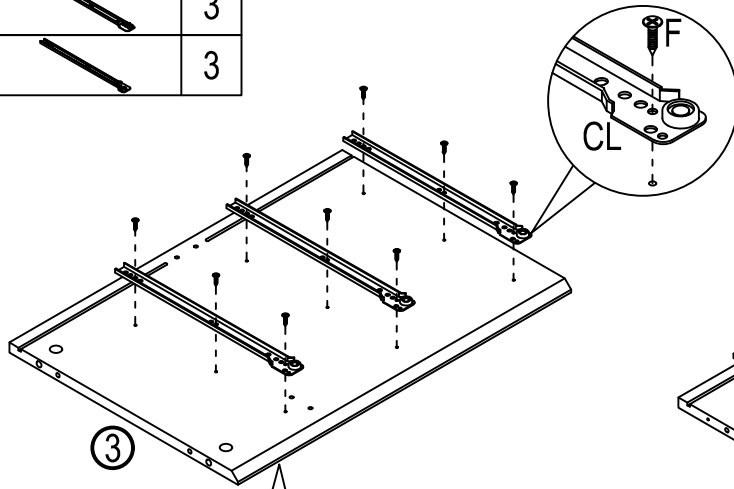


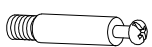
L = 300mm  
DL x 6

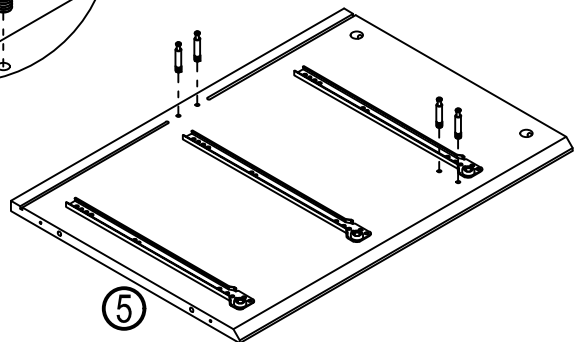
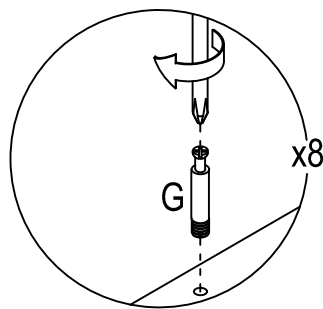
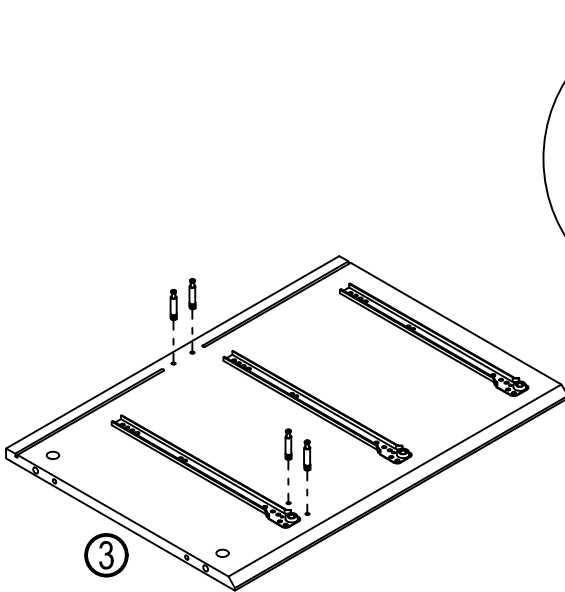





L = 300mm  
DR x 6

|    |   |    |
|----|---|----|
| F  |  | 18 |
| CL |  | 3  |
| CR |  | 3  |

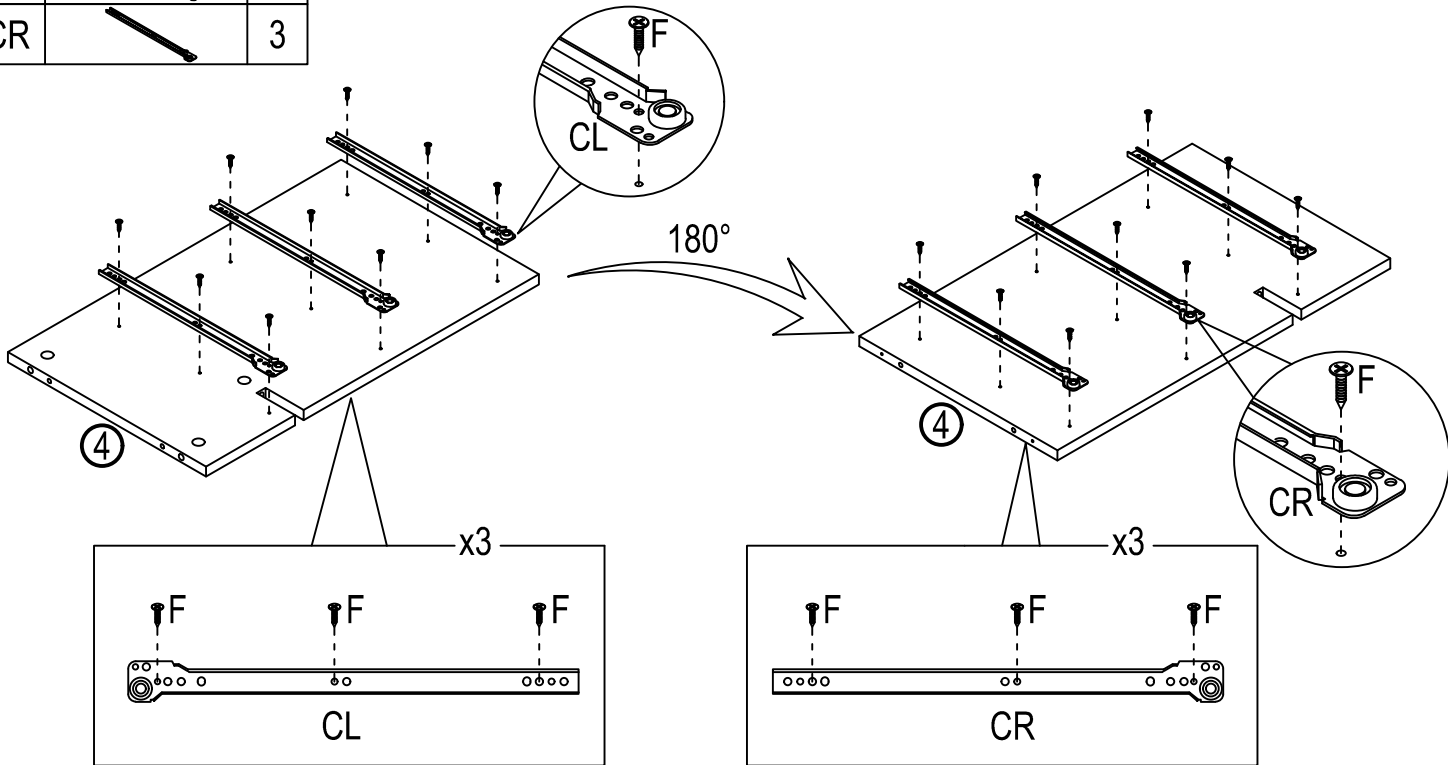



|   |   |   |
|---|---|---|
| G |  | 8 |
|---|---|---|



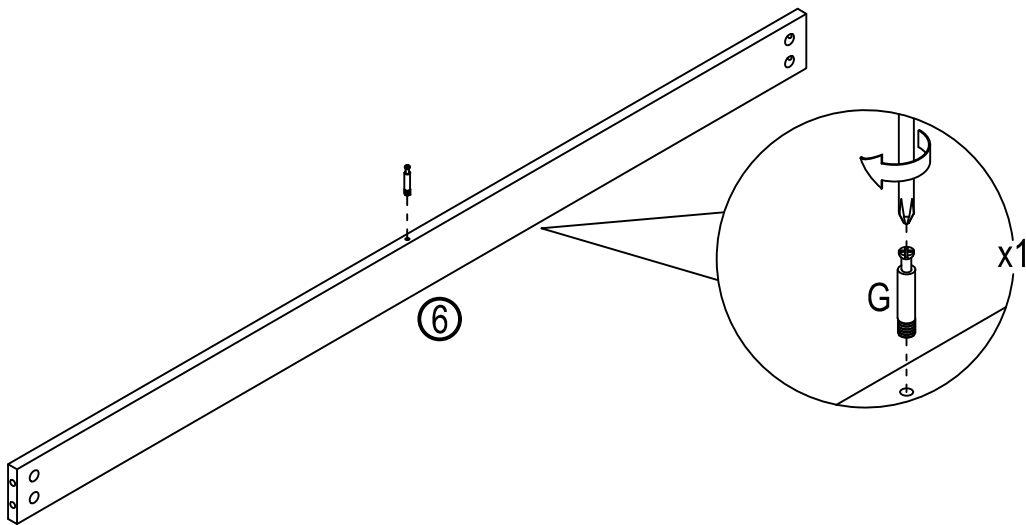
|    |   |    |
|----|---|----|
| F  |  | 18 |
| CL |  | 3  |
| CR |  | 3  |

3



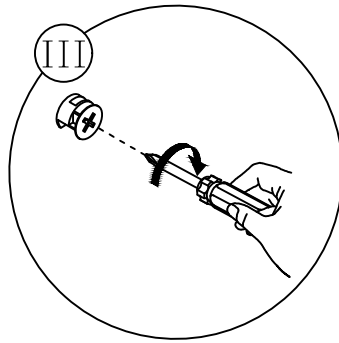
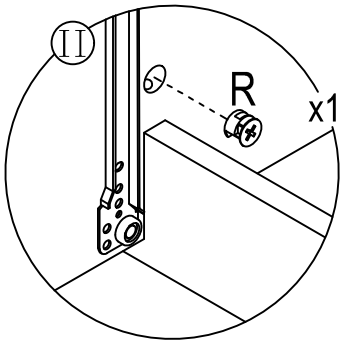
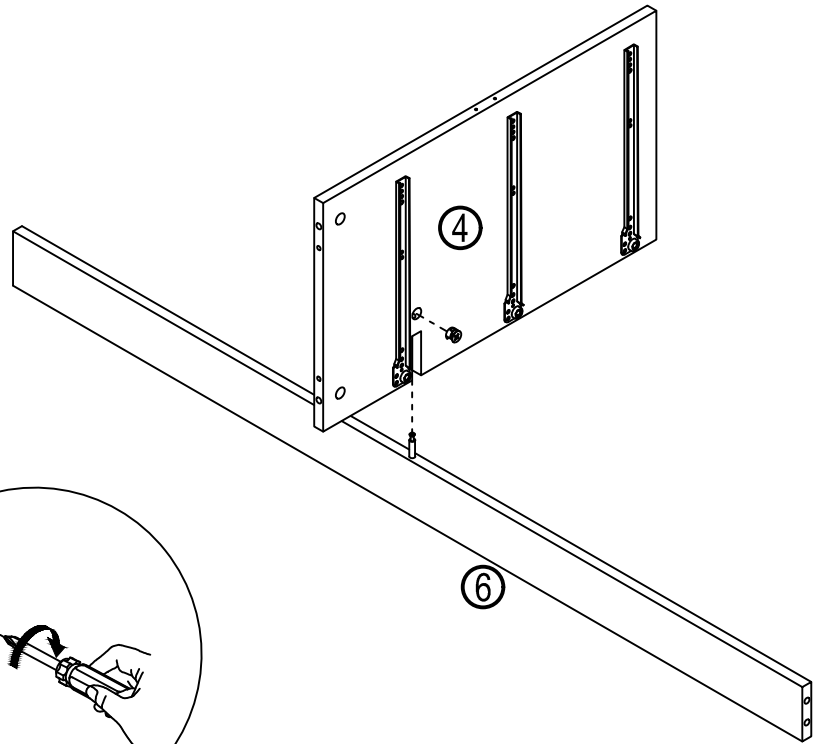
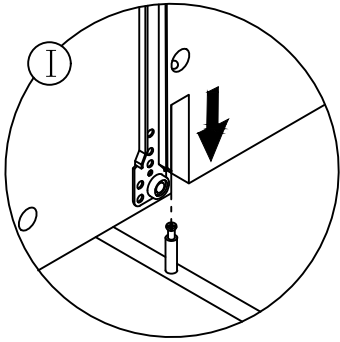
|   |   |   |
|---|---|---|
| G |  | 1 |
|---|---|---|


4



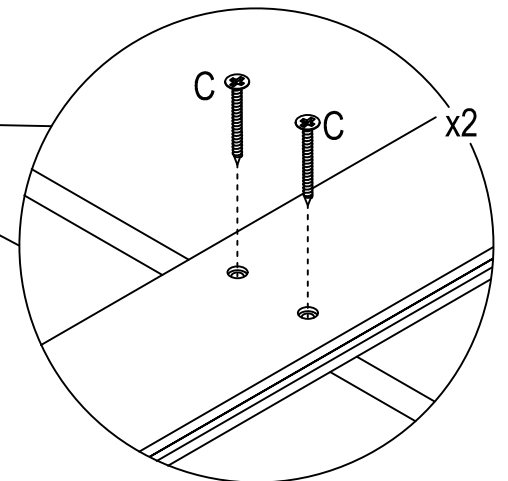
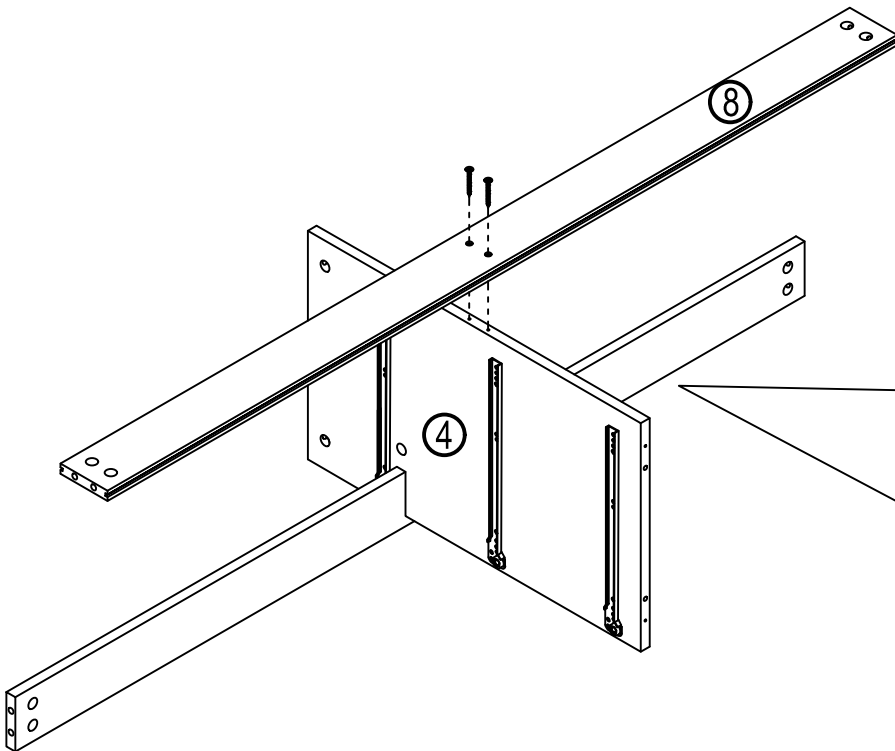
|   |   |   |
|---|---|---|
| R |  | 1 |
|---|---|---|

5



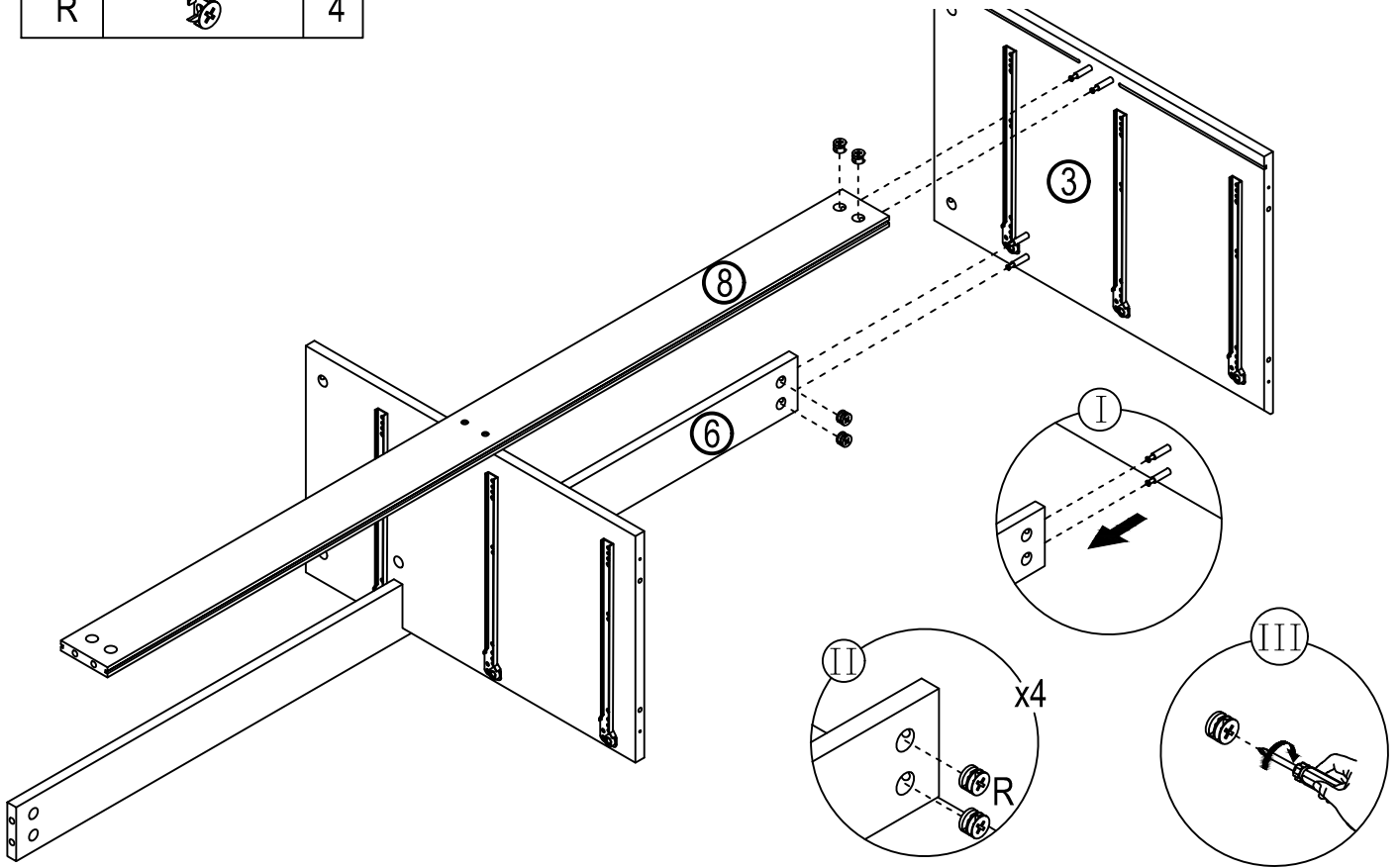
|   |   |   |
|---|---|---|
| C |  | 2 |
|---|---|---|

6



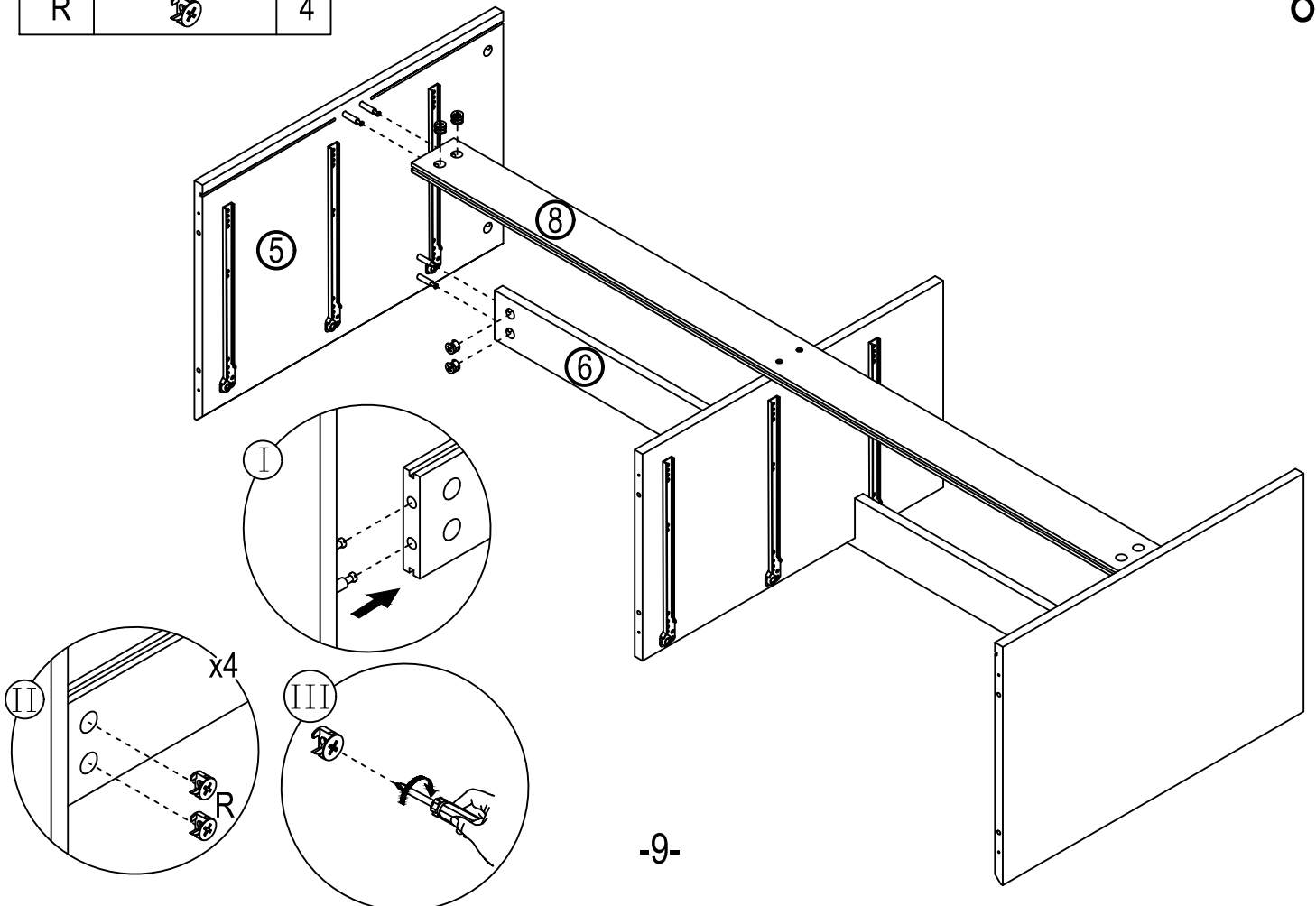
|   |   |   |
|---|---|---|
| R |  | 4 |
|---|---|---|

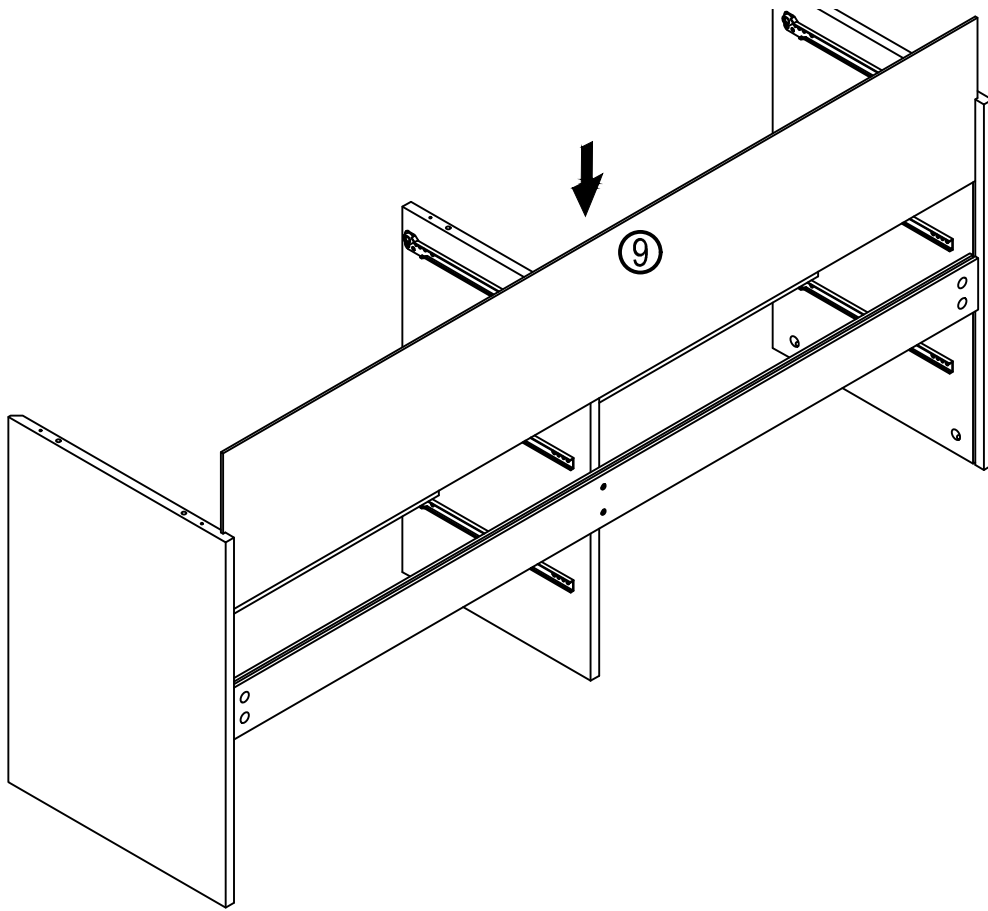
7





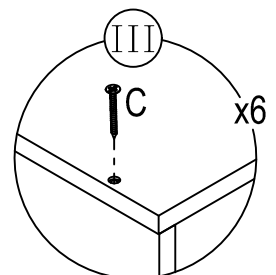
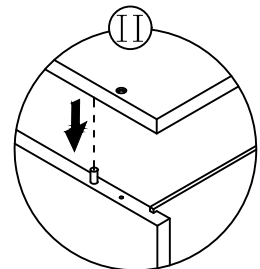
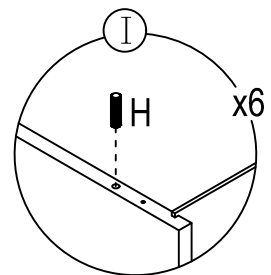
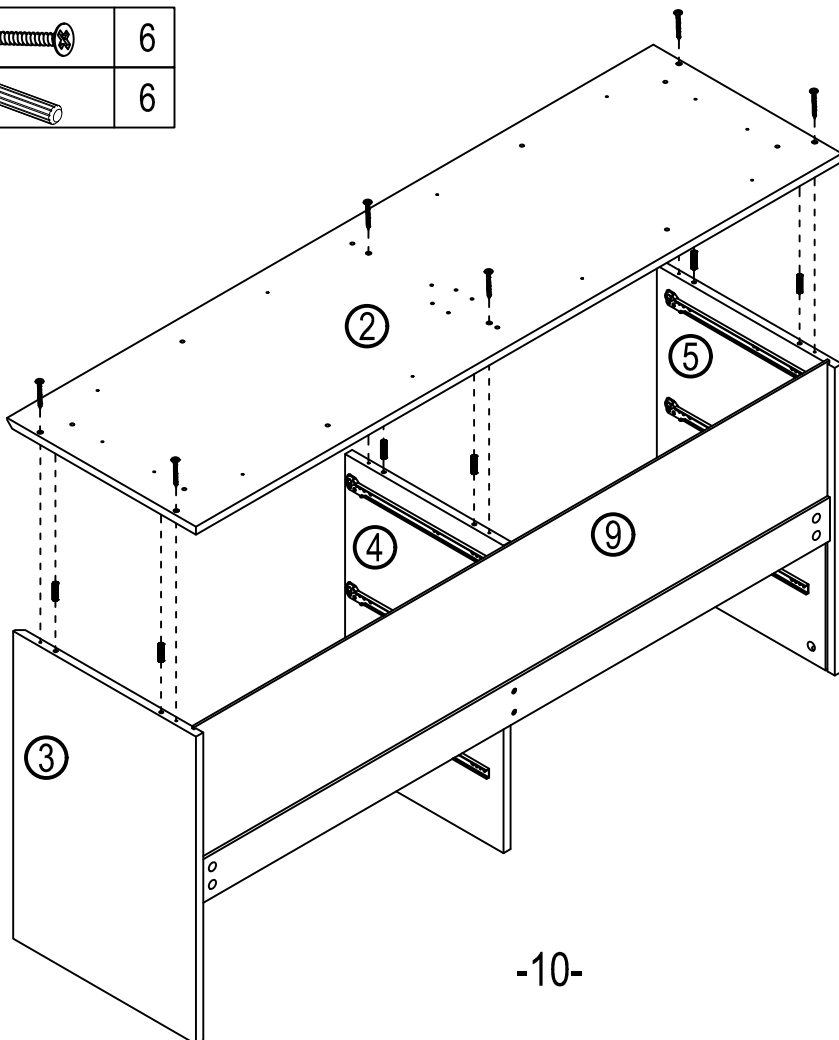
|   |   |   |
|---|---|---|
| R |  | 4 |
|---|---|---|

8





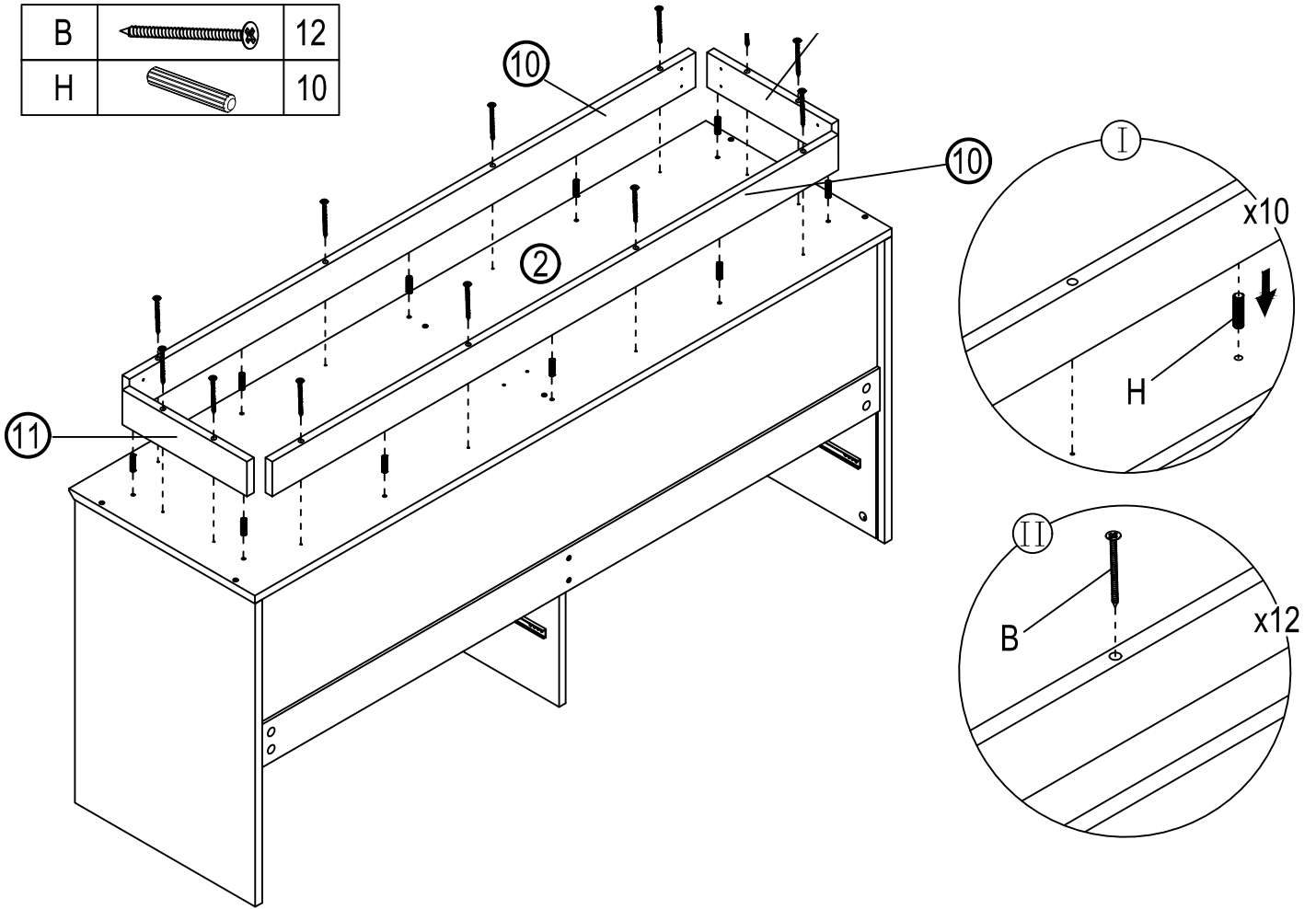


|   |   |   |
|---|---|---|
| C |  | 6 |
| H |  | 6 |



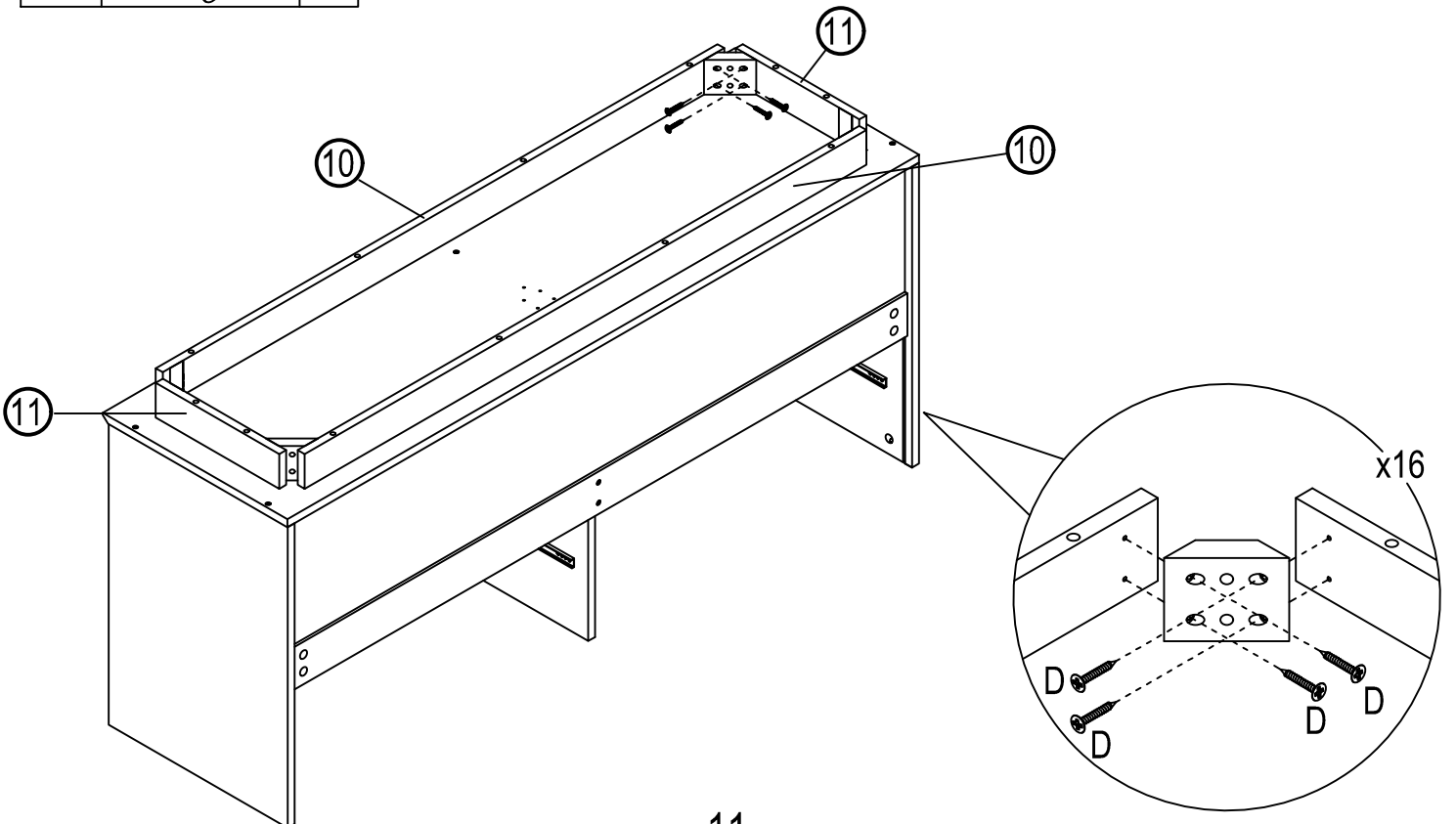
11




|   |   |    |
|---|---|----|
| B |  | 12 |
| H |  | 10 |

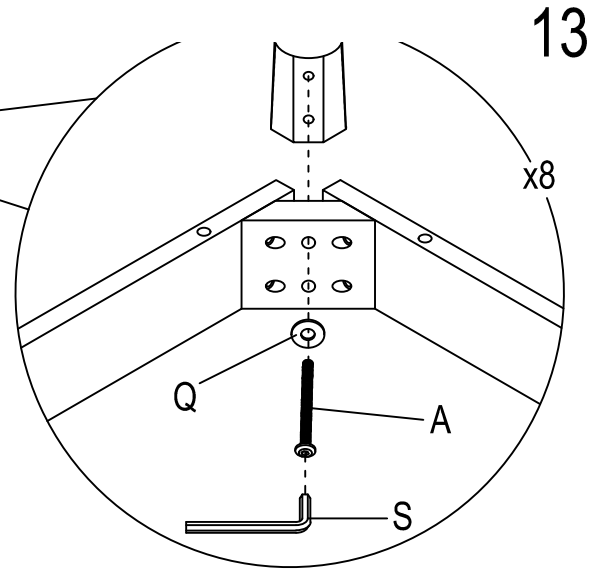
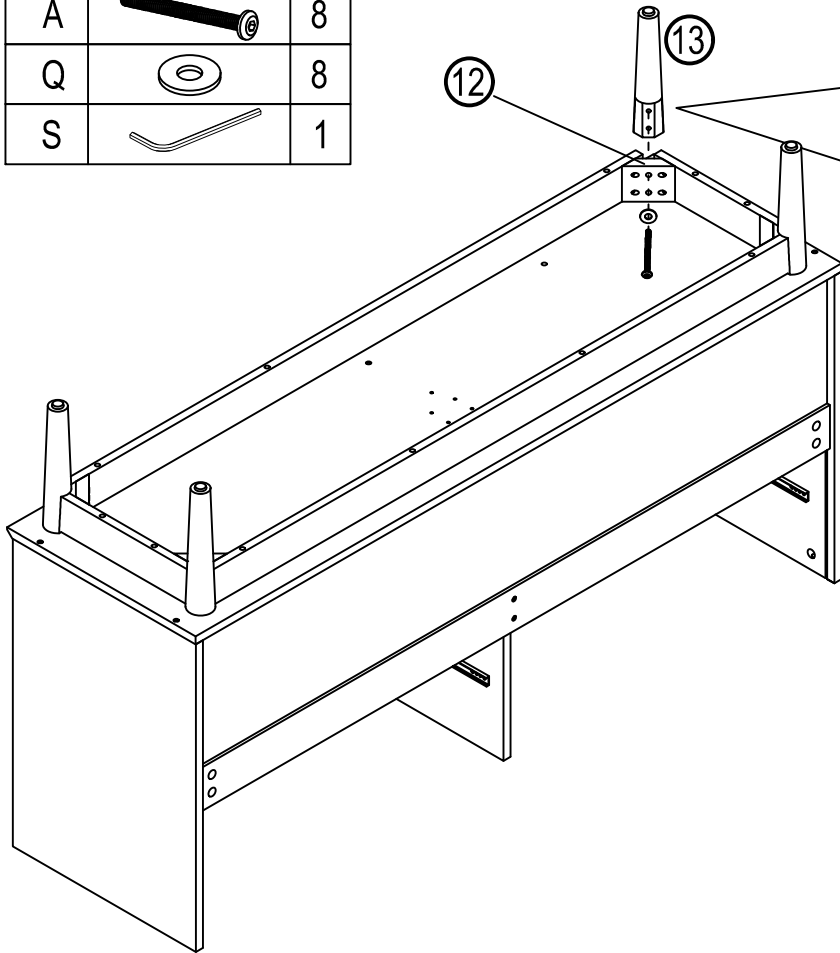


12

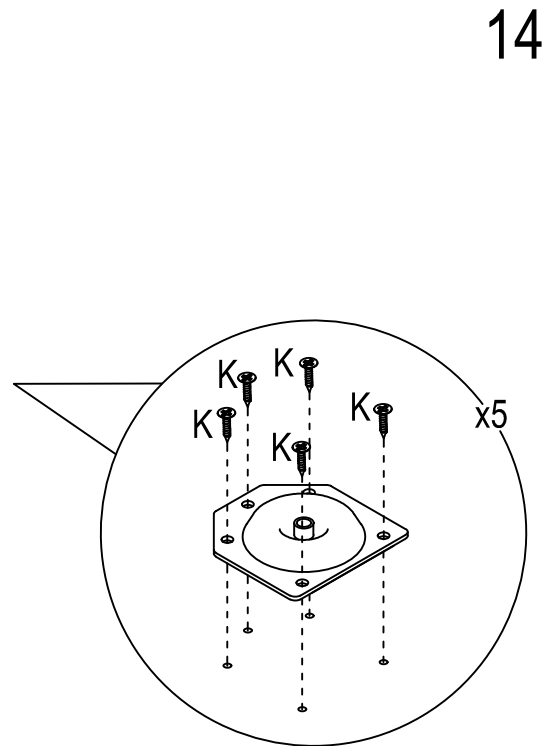
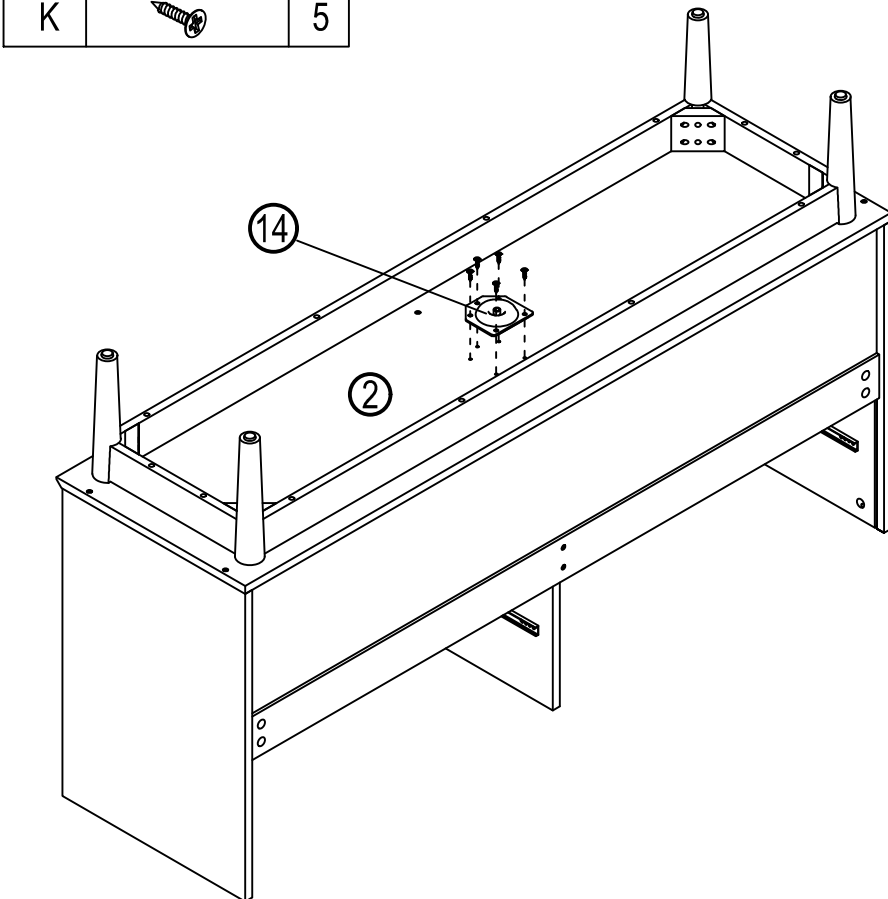
|   |   |    |
|---|---|----|
| D |  | 16 |
|---|---|----|



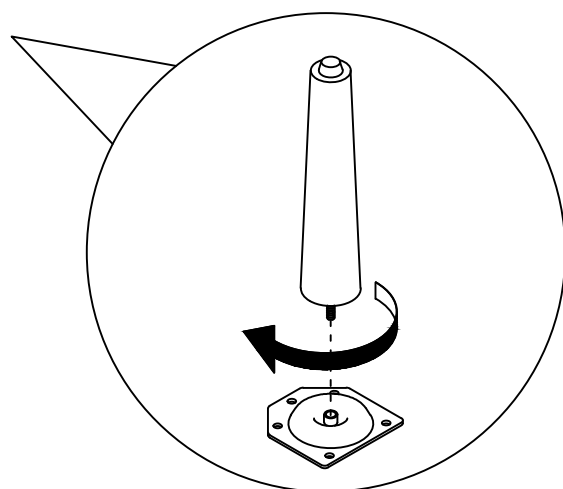
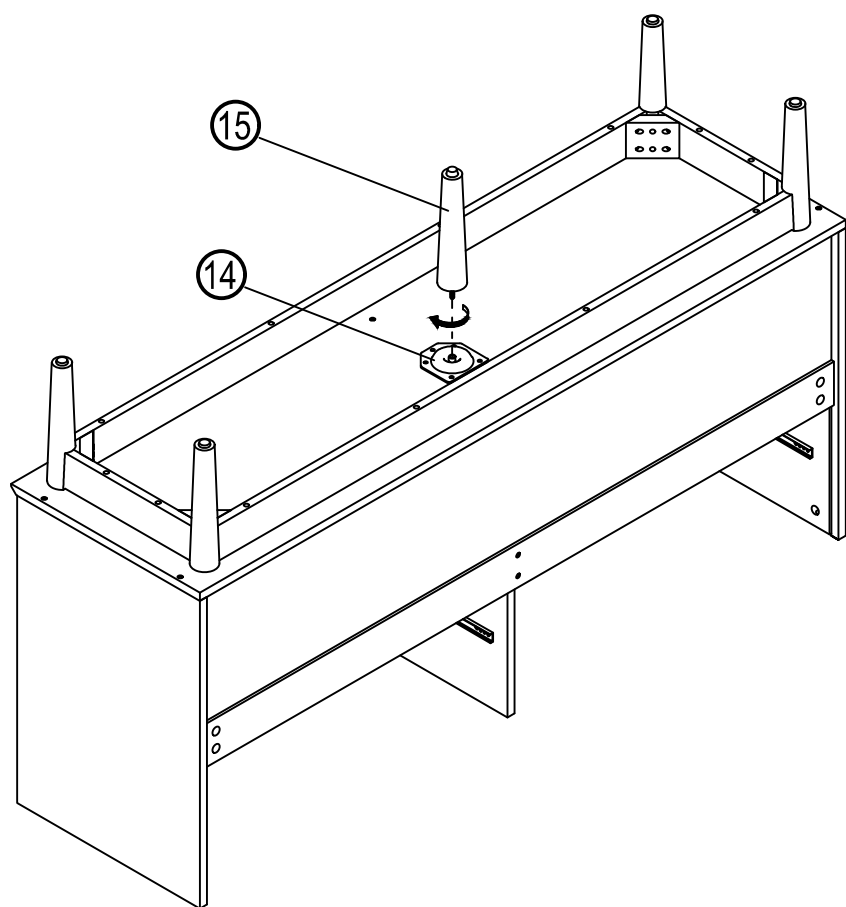
|   |   |   |
|---|---|---|
| A |  | 8 |
| Q |  | 8 |
| S |  | 1 |



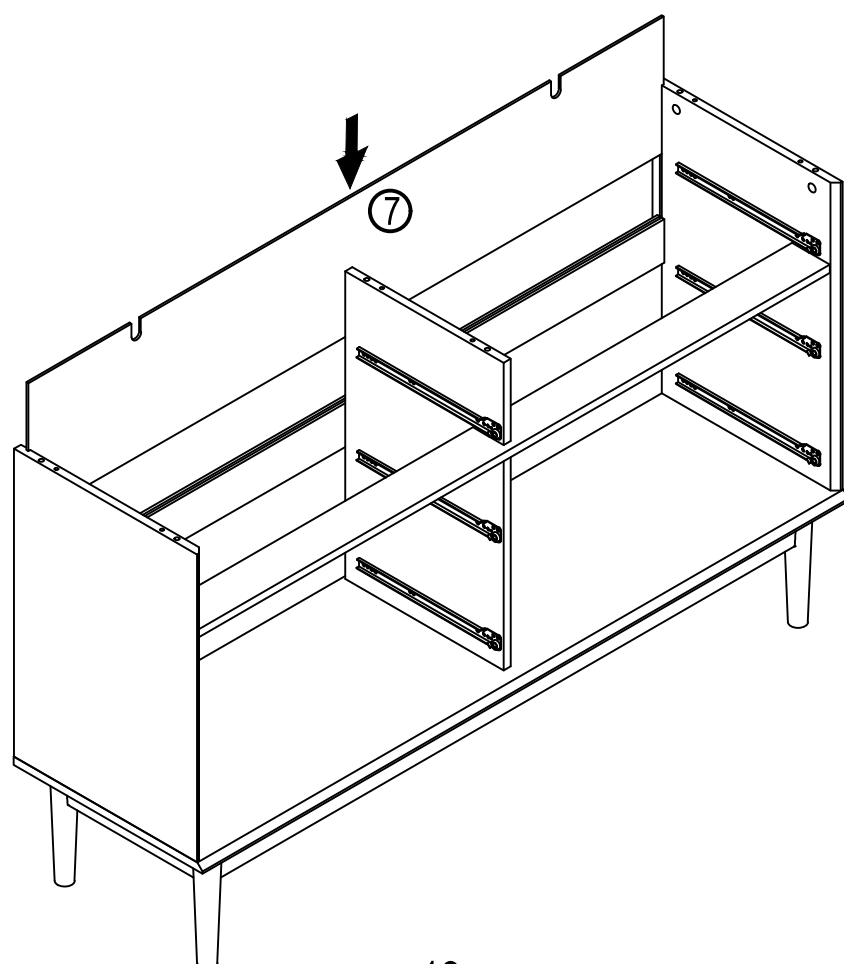
|   |   |   |
|---|---|---|
| K |  | 5 |
|---|---|---|

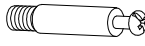




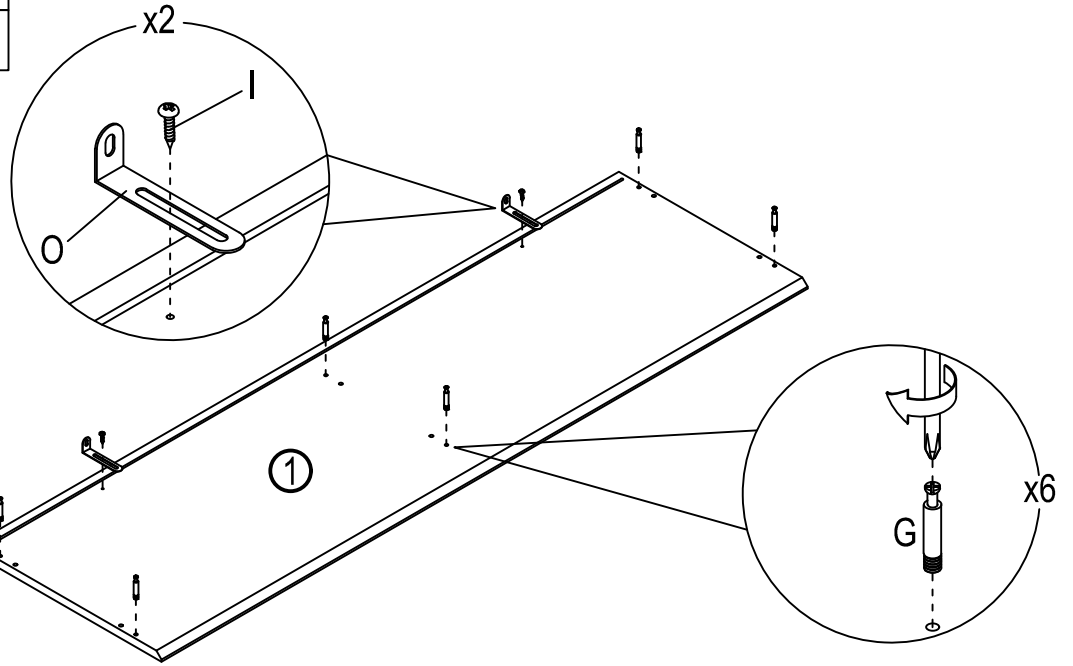
15





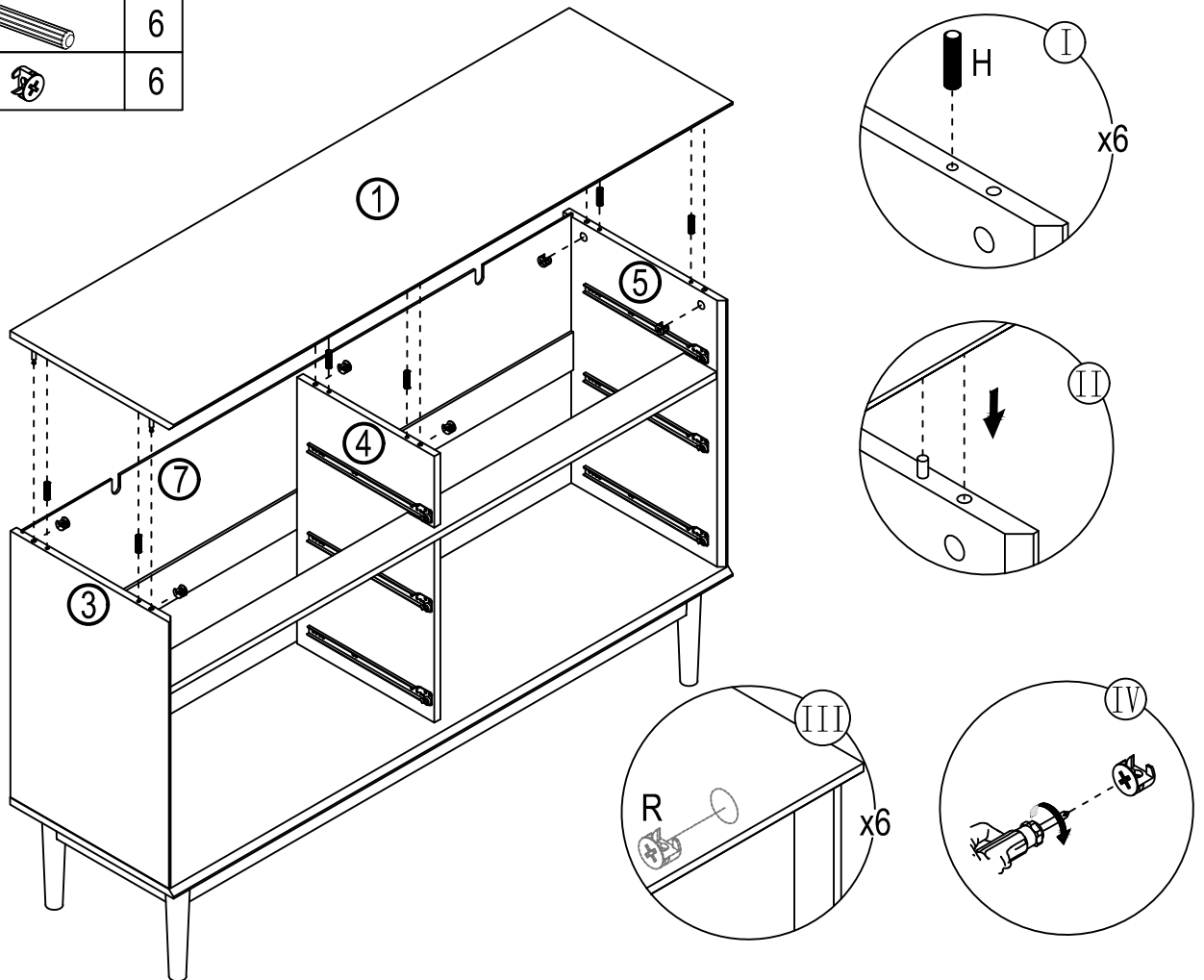
16





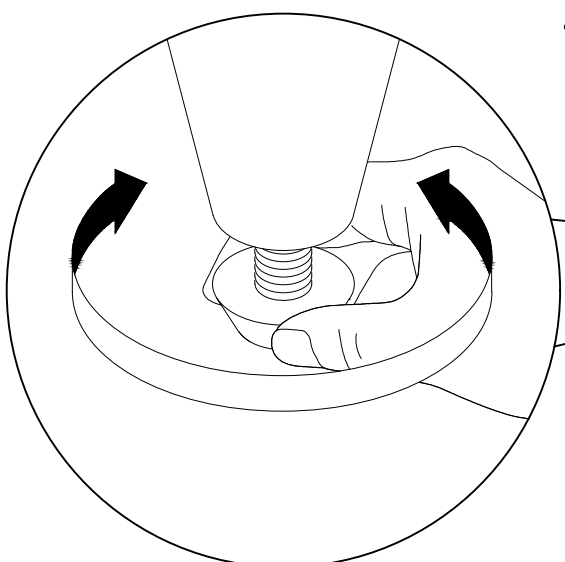
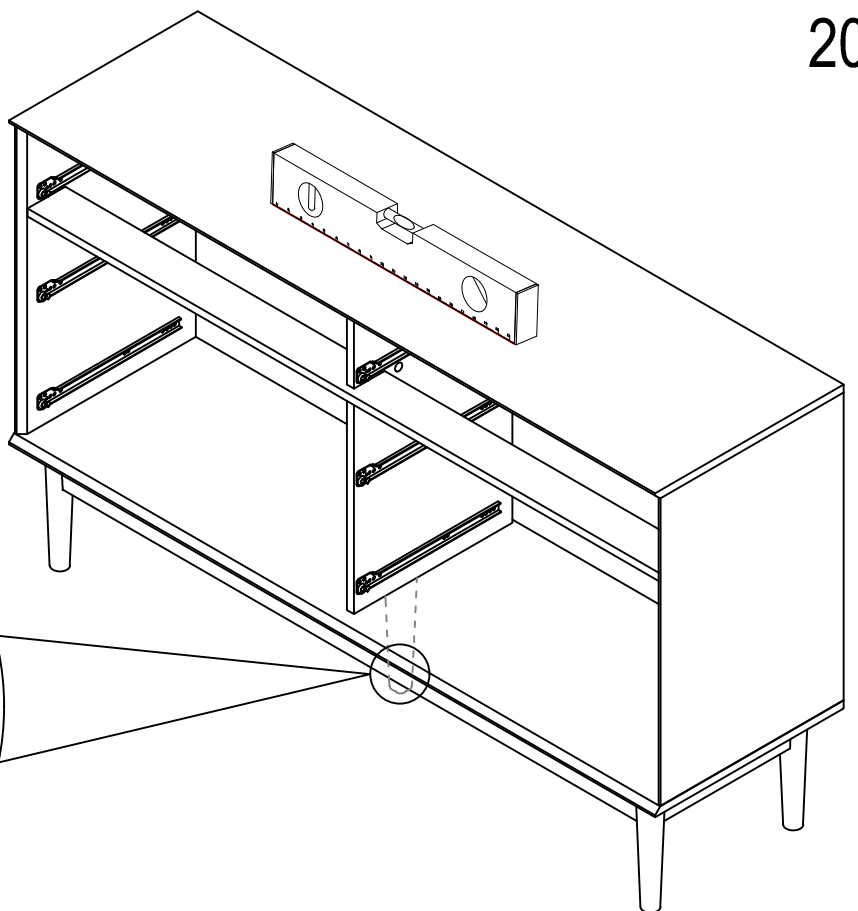
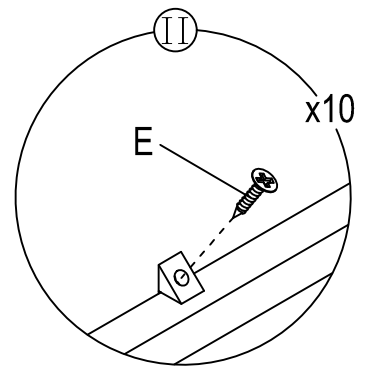
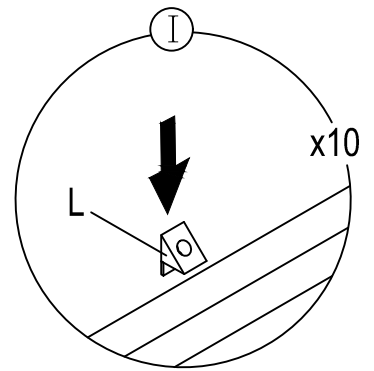
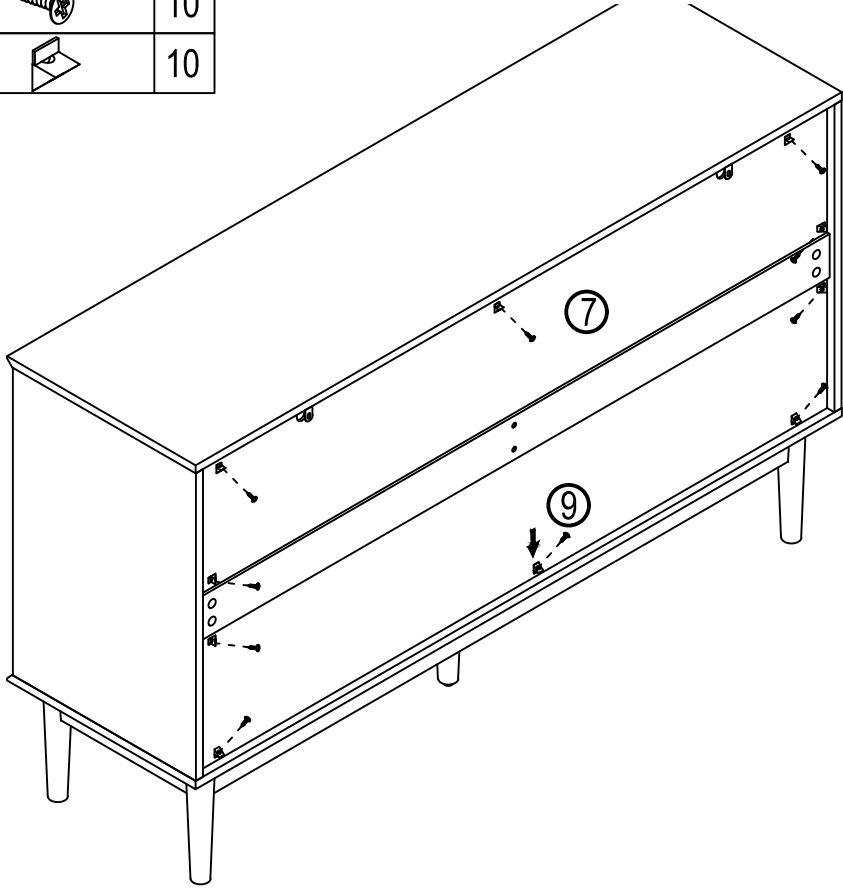
|   |   |   |
|---|---|---|
| G |  | 6 |
| I |  | 2 |
| O |  | 2 |




|   |   |   |
|---|---|---|
| H |  | 6 |
| R |  | 6 |



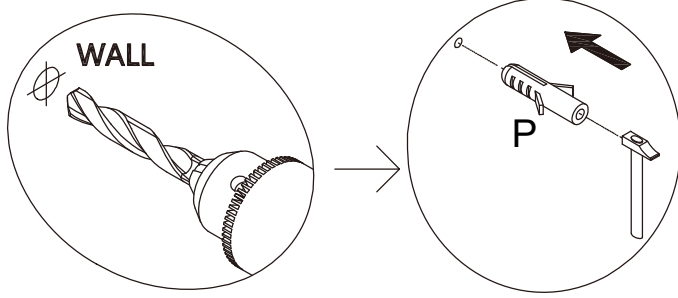
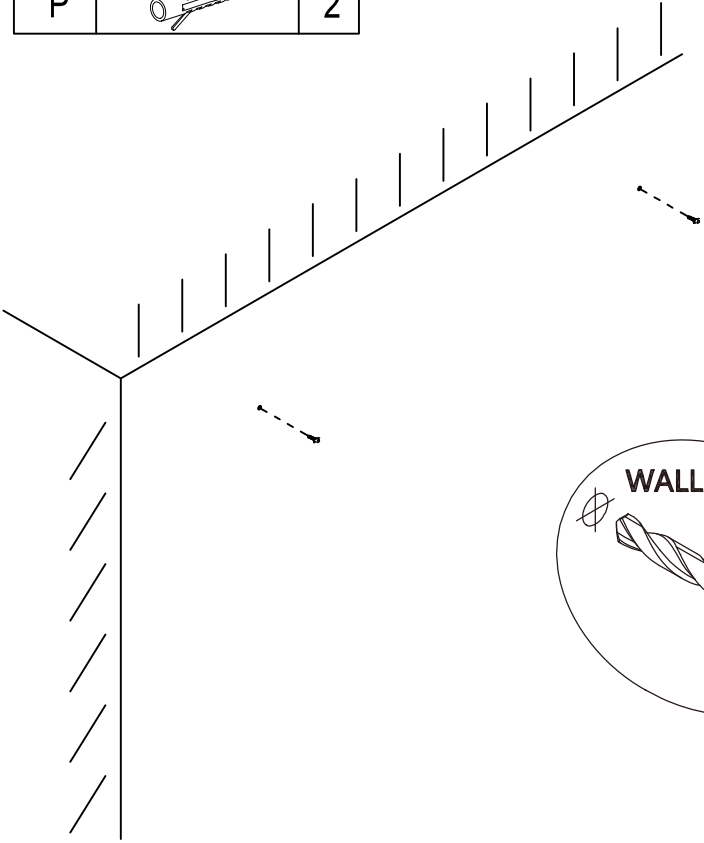
|   |   |    |
|---|---|----|
| E |  | 10 |
| L |  | 10 |




|   |   |   |
|---|---|---|
| P |  | 2 |
|---|---|---|

21

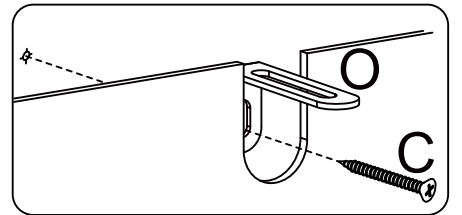
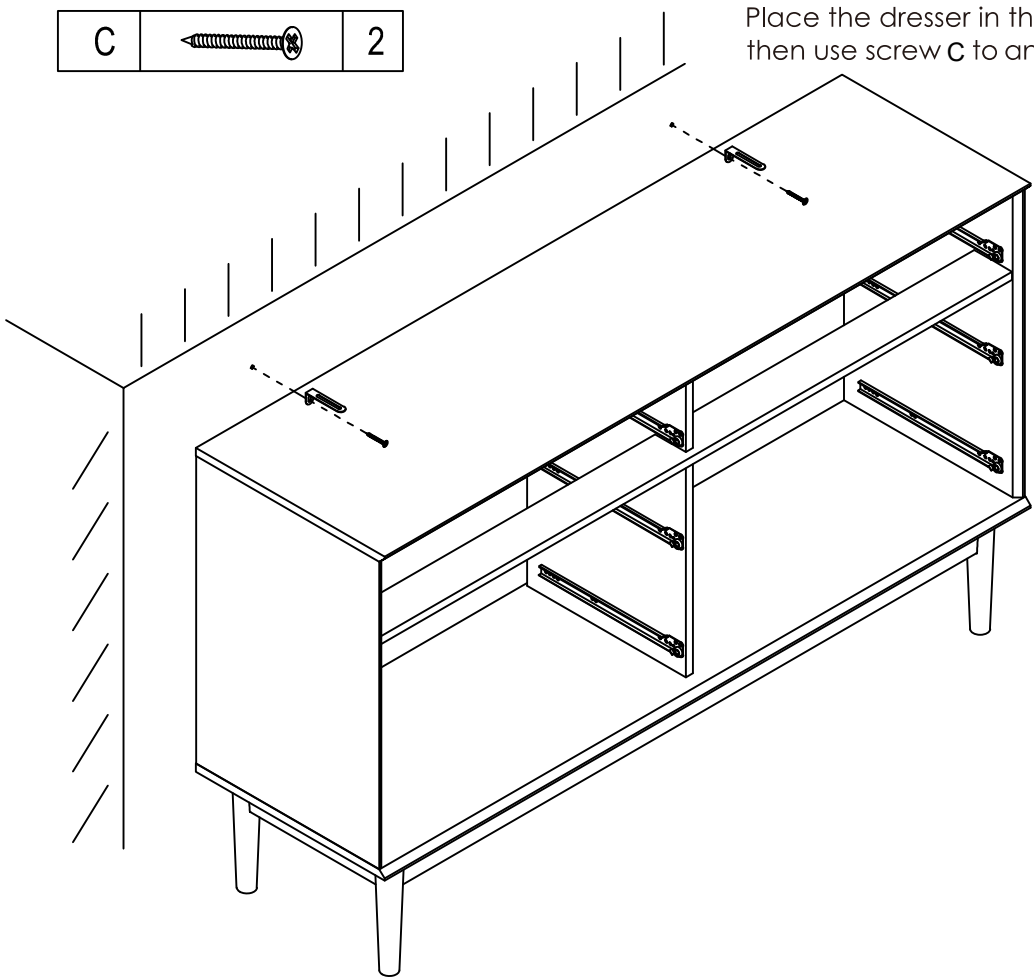
position for installing the anti-tip device.




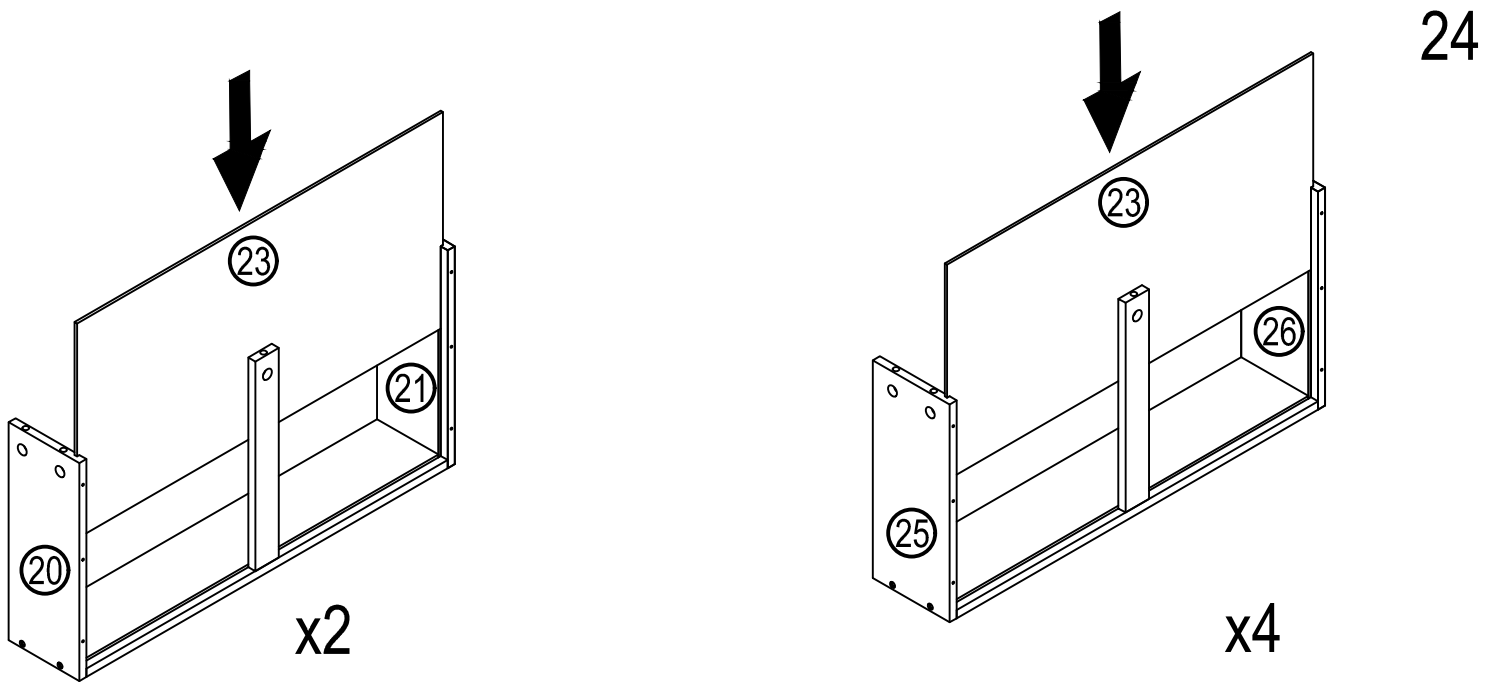
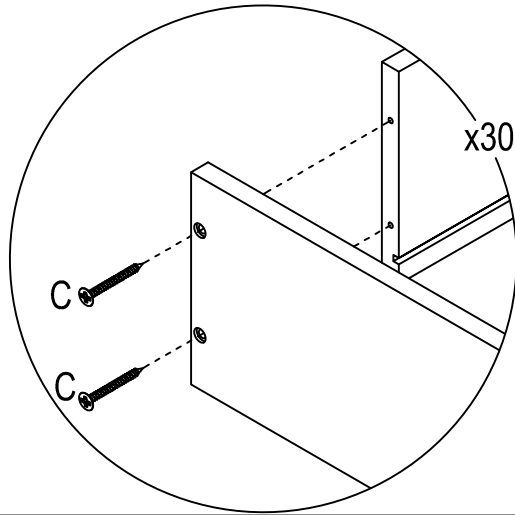
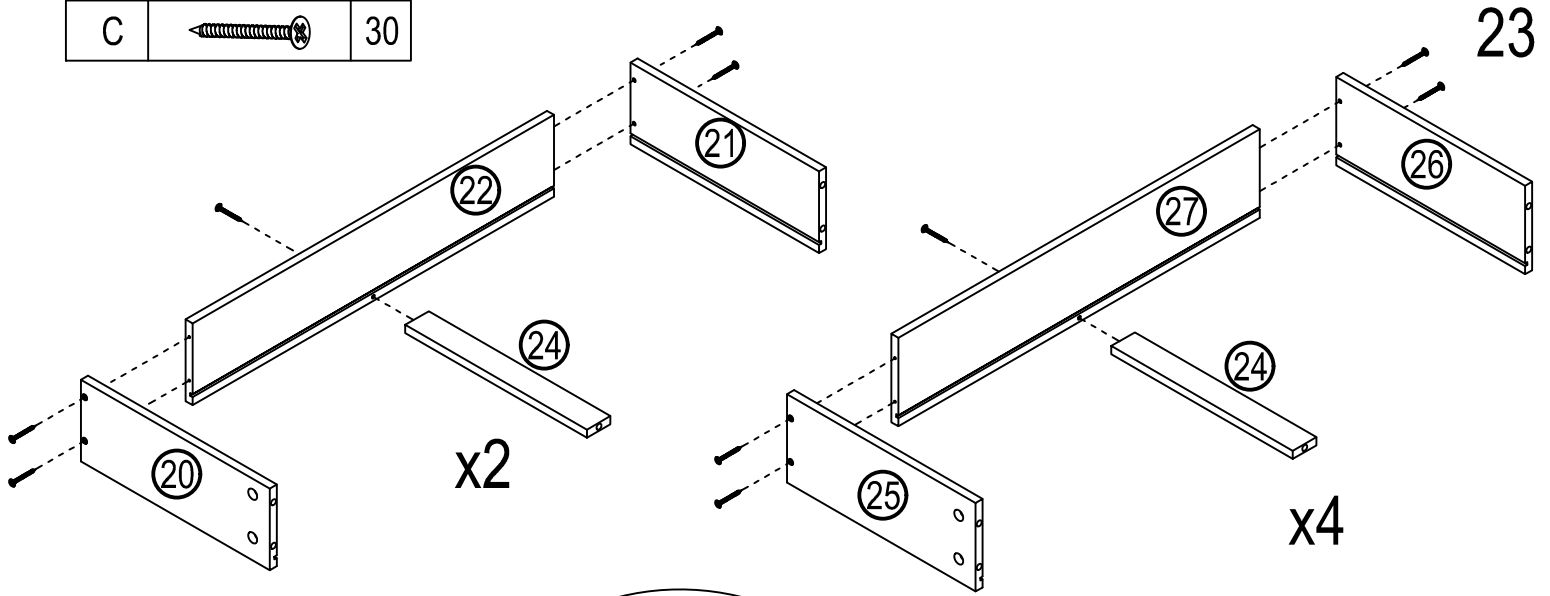
|   |   |   |
|---|---|---|
| C |  | 2 |
|---|---|---|

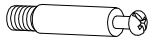
22

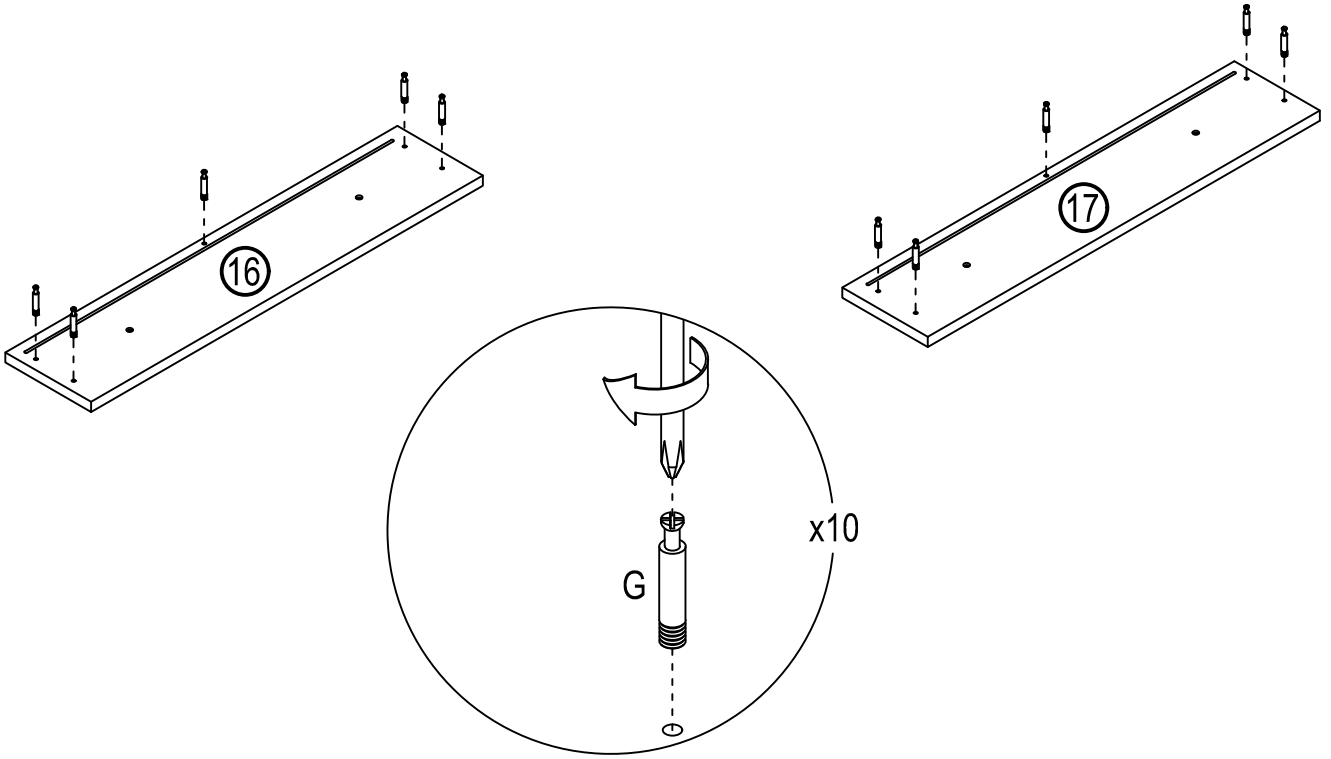
Place the dresser in the desired position, then use screw C to anchor it securely to the wall.

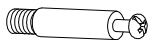


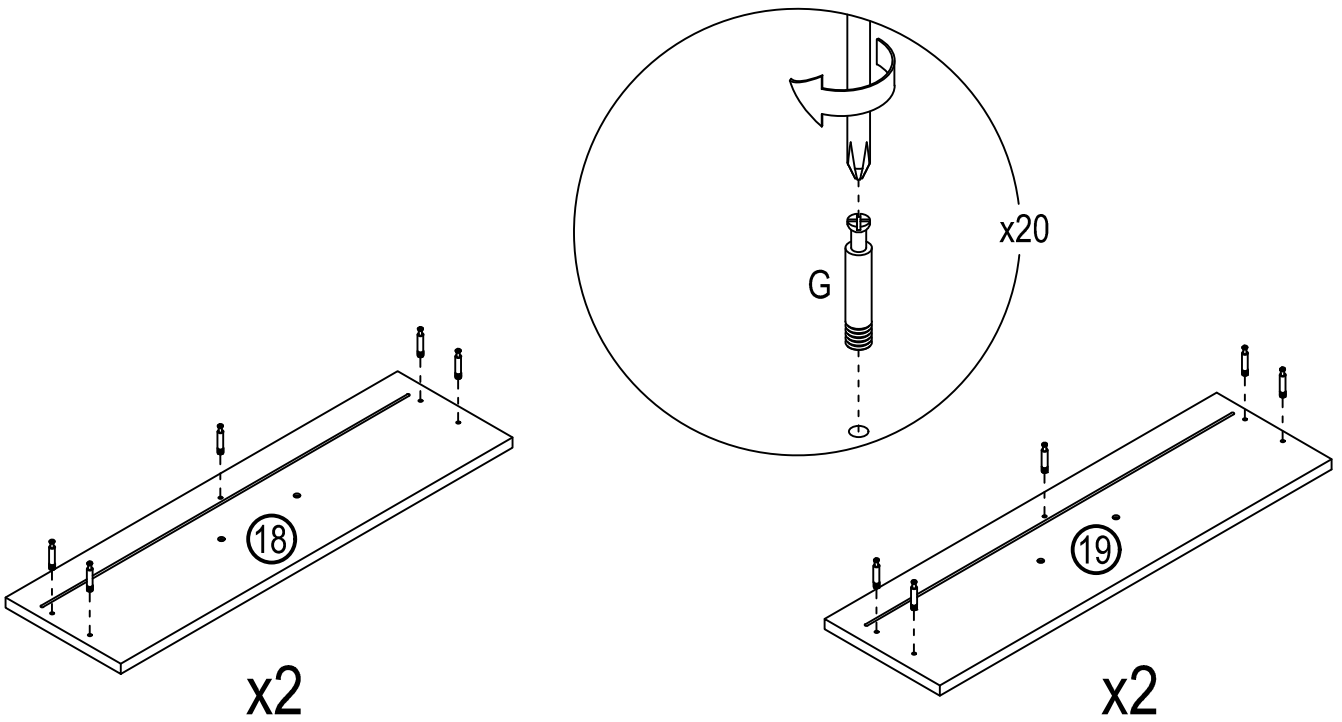
|   |   |    |
|---|---|----|
| C |  | 30 |
|---|---|----|



|   |   |    |
|---|---|----|
| G |  | 10 |
|---|---|----|

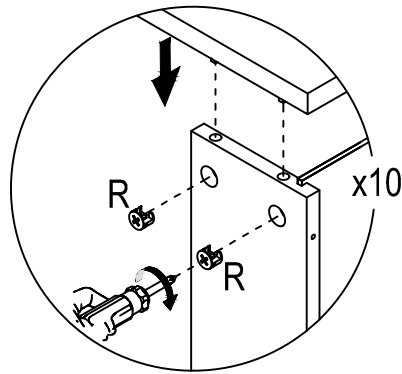
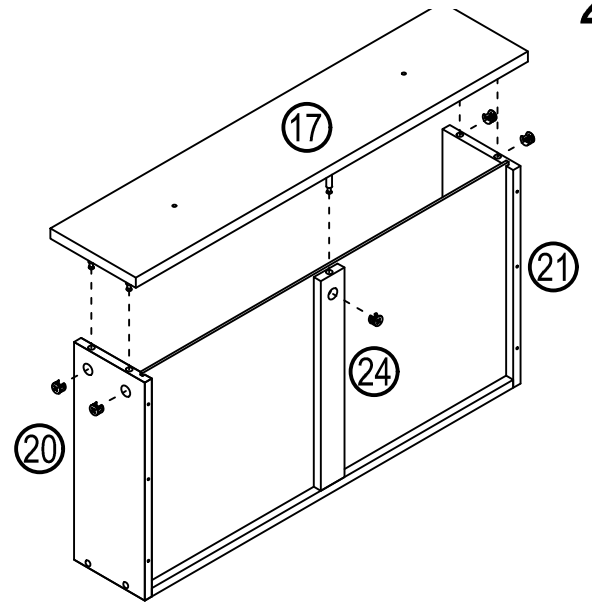
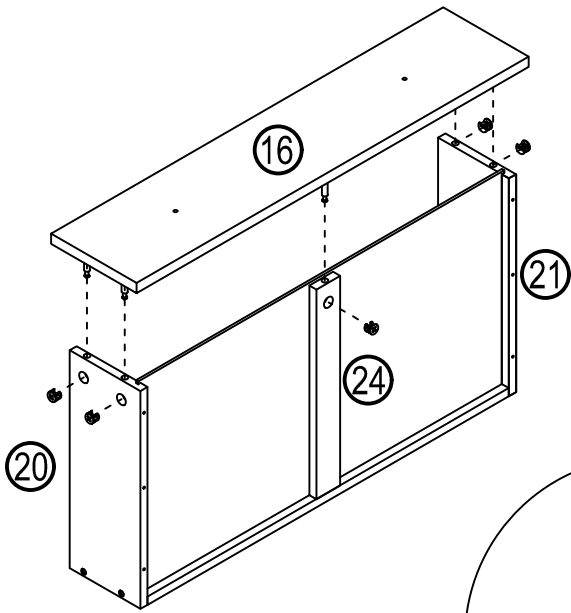


|   |   |    |
|---|---|----|
| G |  | 20 |
|---|---|----|



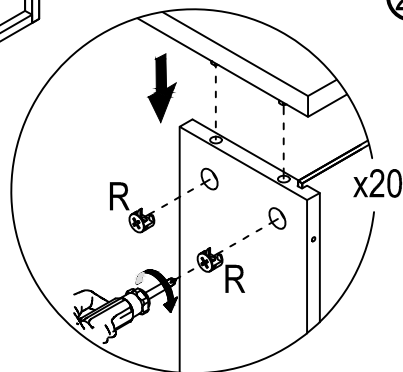
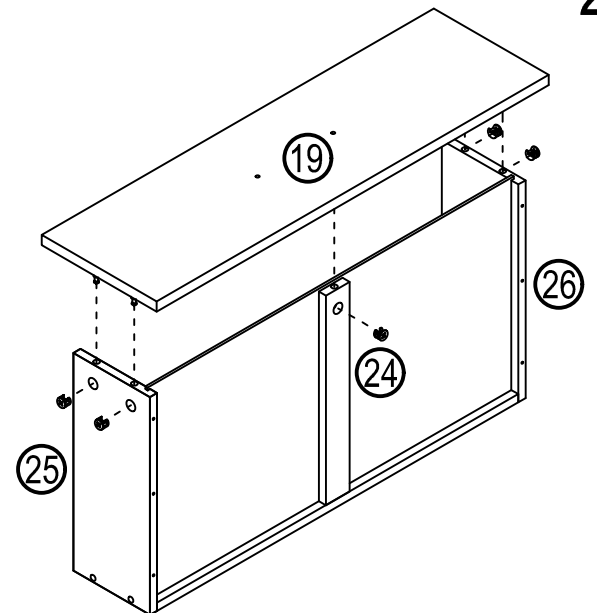
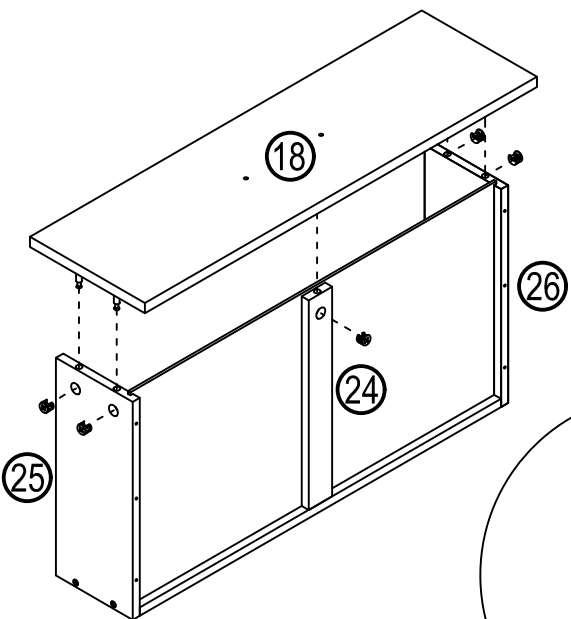
|   |   |    |
|---|---|----|
| R |  | 10 |
|---|---|----|

27





|   |   |    |
|---|---|----|
| R |  | 20 |
|---|---|----|

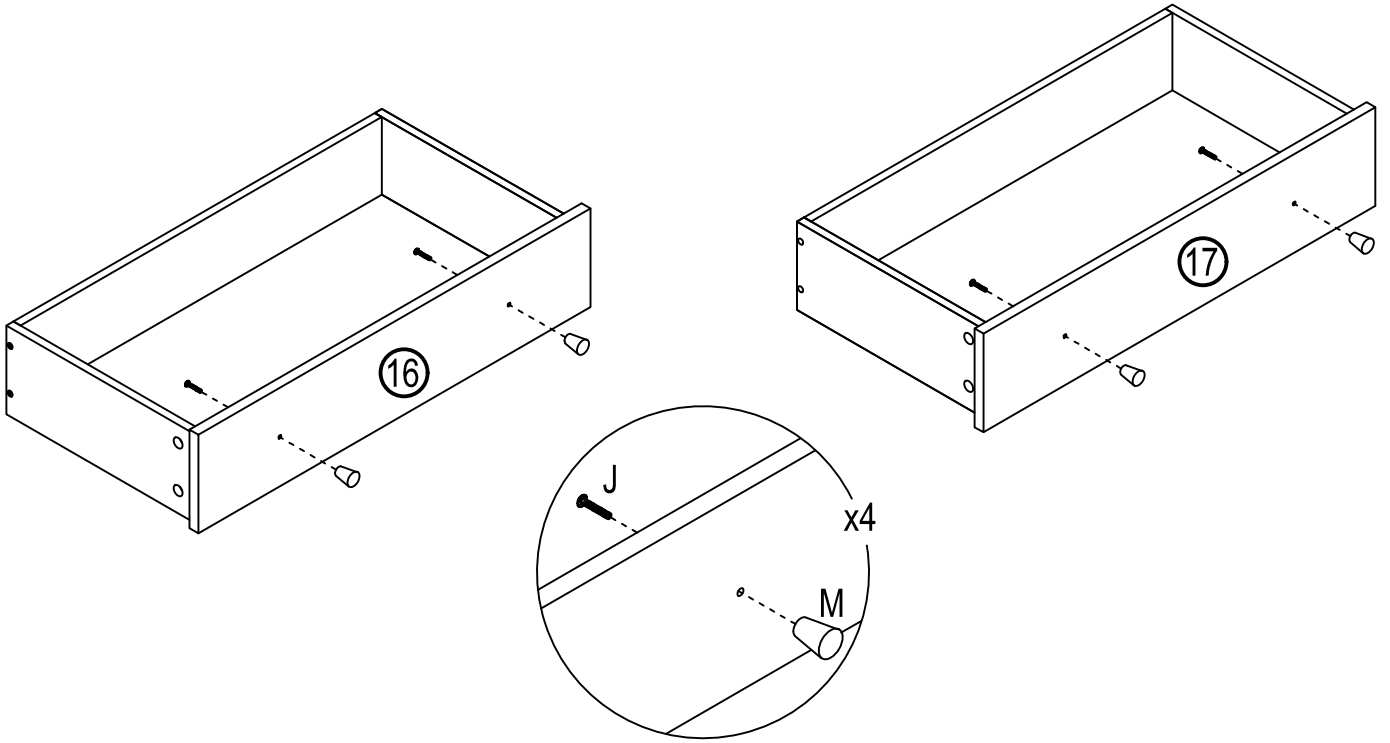
28





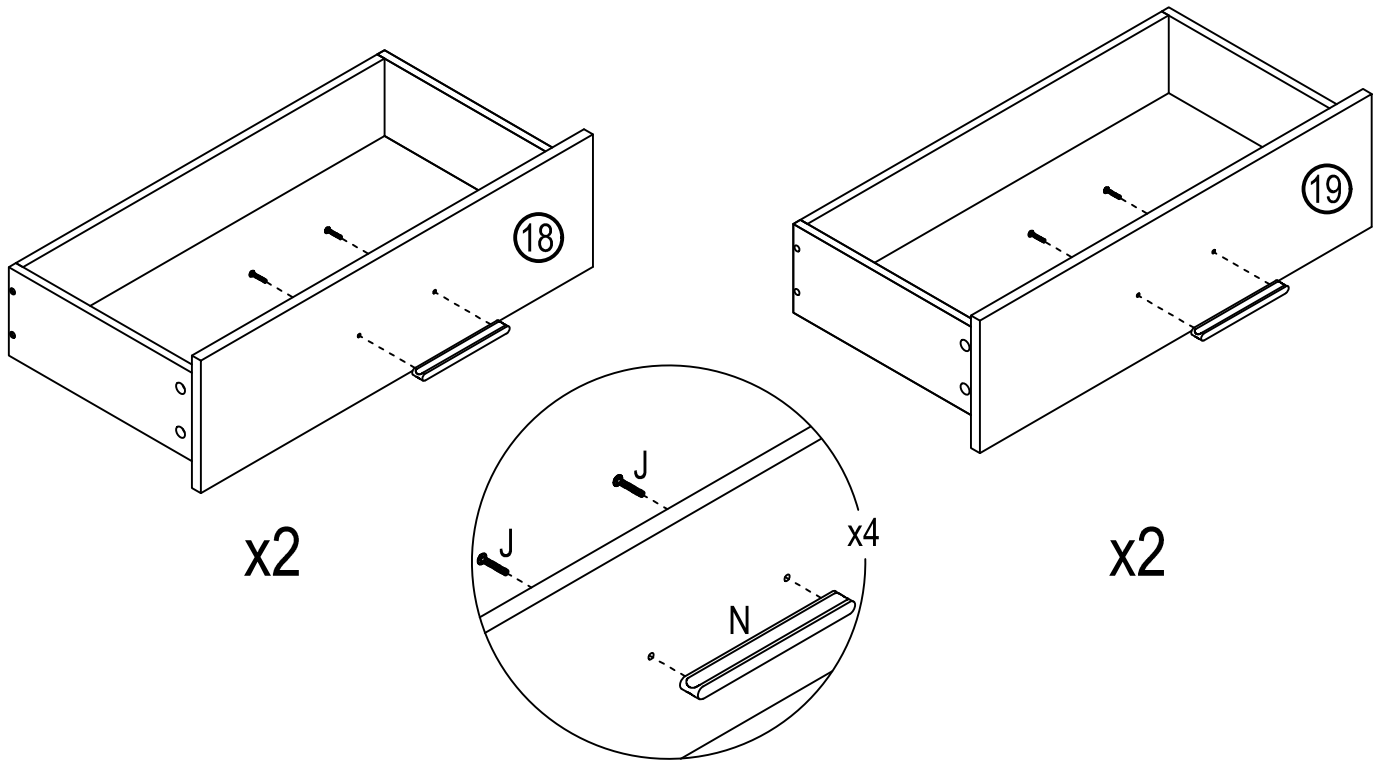
x2




x2

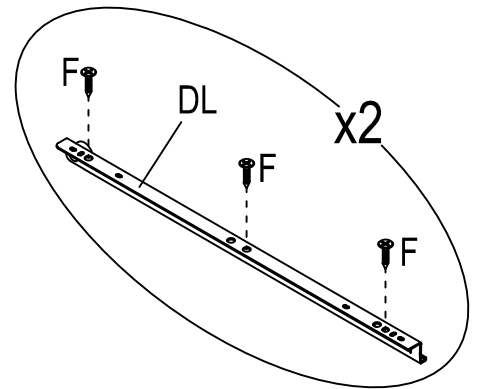
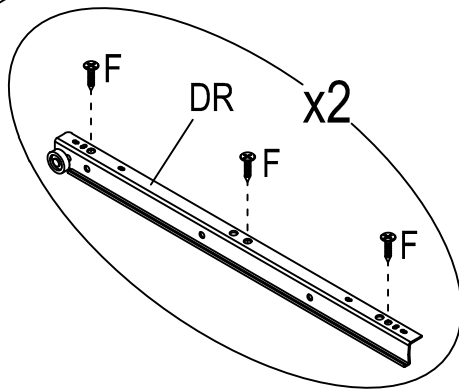
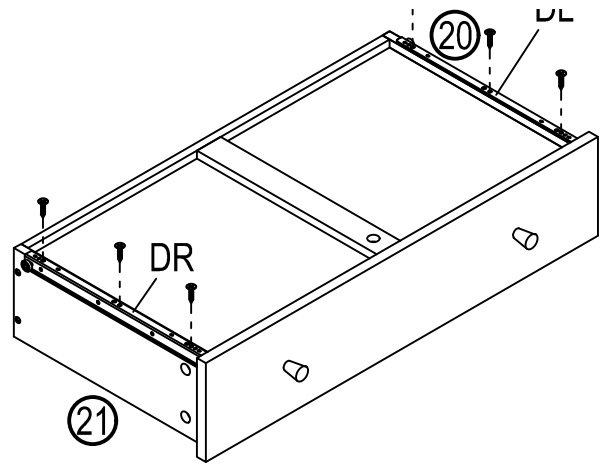
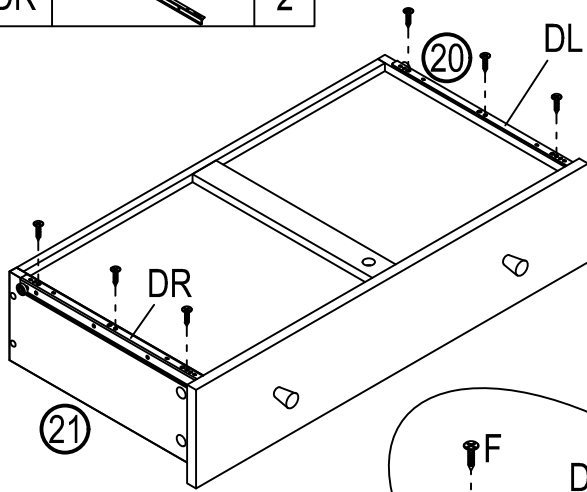
|   |   |   |
|---|---|---|
| J |  | 4 |
| M |  | 4 |






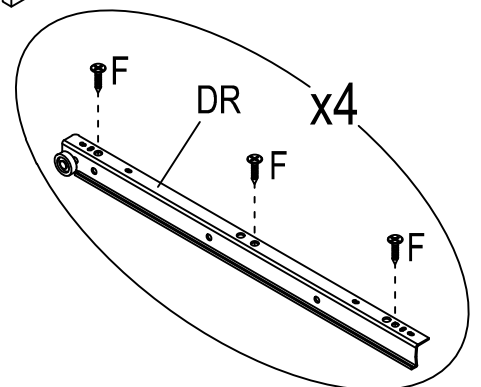
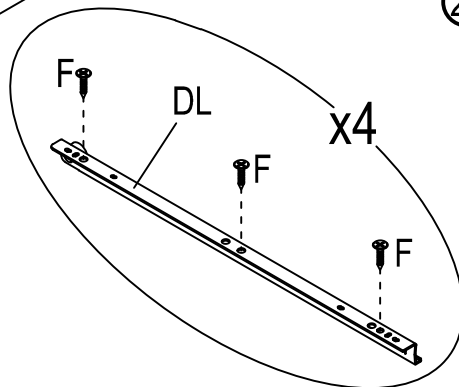
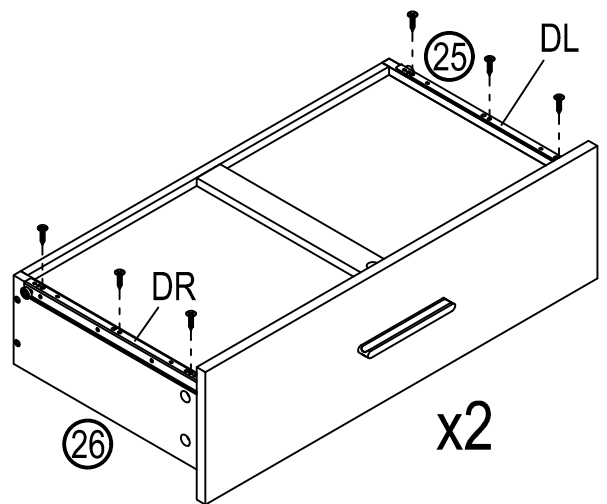
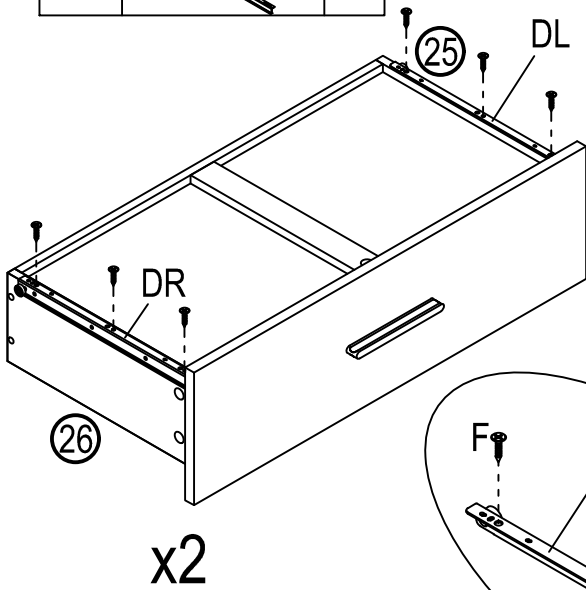
|   |   |   |
|---|---|---|
| J |  | 8 |
| N |  | 4 |

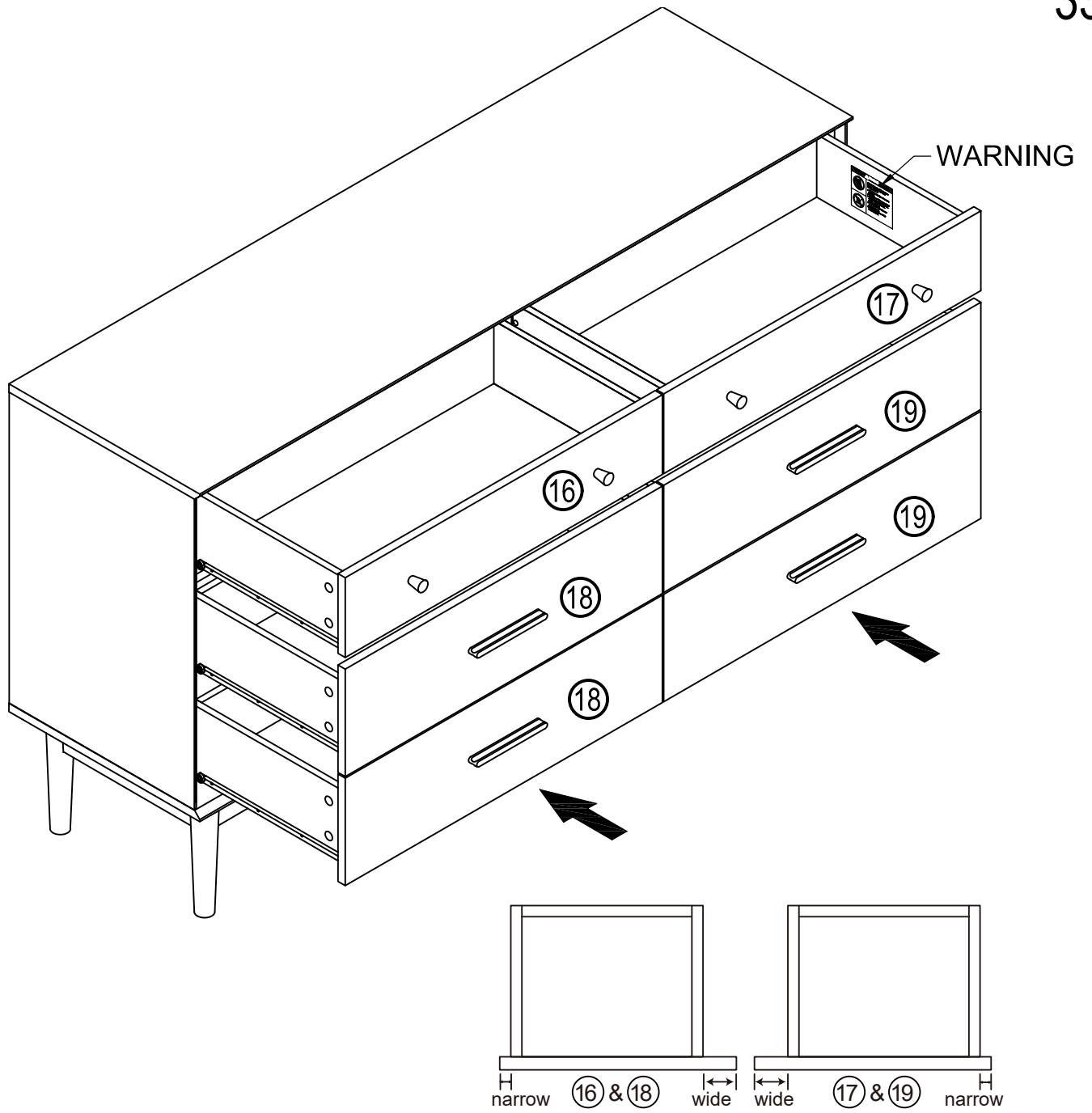


|    |   |    |
|----|---|----|
| F  |  | 12 |
| DL |  | 2  |
| DR |  | 2  |

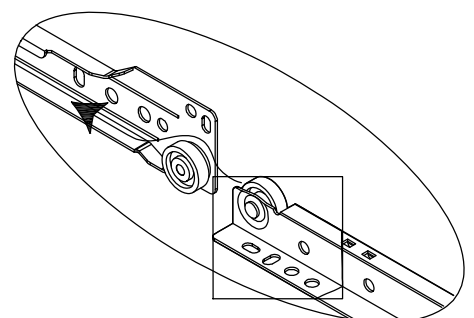
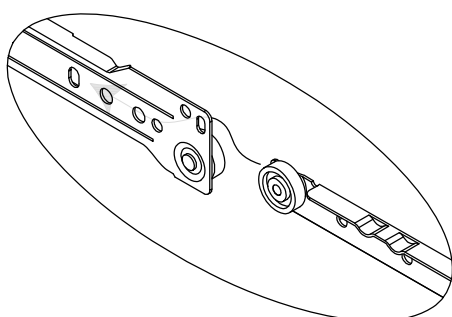


|    |   |    |
|----|---|----|
| F  |  | 24 |
| DL |  | 4  |
| DR |  | 4  |





Make sure parts #16、 #18 are for the left drawer and #17、 #19 are for the right drawer.



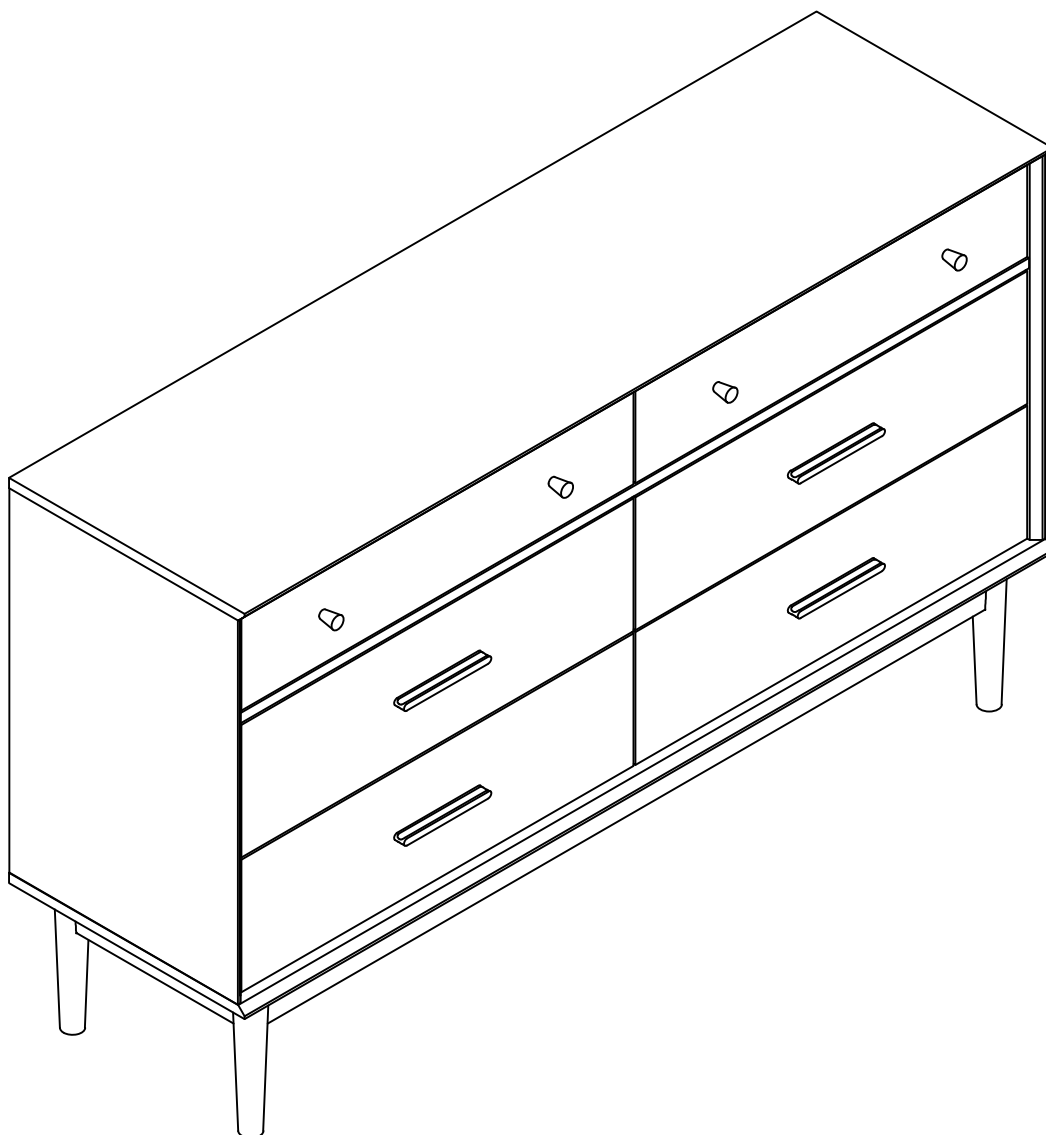
## **! WARNING**



Children have died from furniture tipover. To reduce the risk of furniture tipover:

- **ALWAYS** install Anti-tip device provided.
- **NEVER** put a TV on this product.
- **NEVER** allow children to stand, climb or hang on any drawers, doors, or shelves.
- **NEVER** open more than one drawer at a time.
- Place heaviest items in the lowest drawers.

***This is a permanent label.  
Do not remove!***



---

## SAFETY FIRST, STYLE ALWAYS

Thank you for choosing our products. To ensure safety and performance, please follow these instructions:

- **Assembly:** Carefully follow instructions and tighten all parts.
- **Intended Use:** Use furniture as intended and adhere to weight limits.
- **Handling:** Move gently and check for loose parts regularly.
- **Tipping:** Tall or unstable furniture may tip over if not secured, especially in homes with children or pets.
- **Overloading:** Exceeding weight limits can lead to collapse or damage.
- **Sharp Edges:** Handle furniture with sharp corners carefully, especially around children.

## MAINTENANCE & CLEANING TIPS

- **Regular Cleaning:** Use a soft, dry cloth to wipe the surface of cabinet regularly. Avoid harsh chemical cleaners.
- **Protect from Sunlight:** Keep cabinet out of direct sunlight to prevent damage to the material and finish.

## DON'T WORRY, WE'VE GOT YOUR BACK.

We don't just sell furniture — we're here for the long haul! If you run into any issues due to manufacturing defects or material problems, we offer a 1-year warranty. That means we'll replace any faulty parts for free — no hassle.