

## Model #DV-1BV0268NW

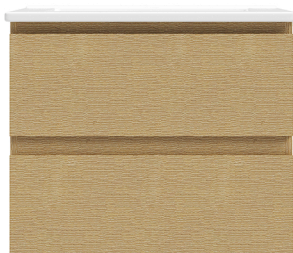
Overall Dimension: 24.02" L x 18.31" W x 20.04" H

## Features:

- The cabinet and countertop are pre-assembled and shipped as a single unit, saving you the hassle of separate deliveries and installations.
- Featuring spacious double-layer drawers with stylish slanted cabinet doors and a handleless design, offering both elegance and functionality.
- Comes with a premium ceramic basin, equipped with a 1.75-inch standard drain hole and overflow hole, providing beauty, sophistication, and practicality.
- Frees up space below the cabinet, making it easier to clean, store large items, or place cleaning tools.
- High-quality MDF + wood cabinet, ceramic sink top, and silent drawer slides make it the perfect choice for modern bathroom renovation.



## Package Included:



● Wall-Hung Bathroom Vanity



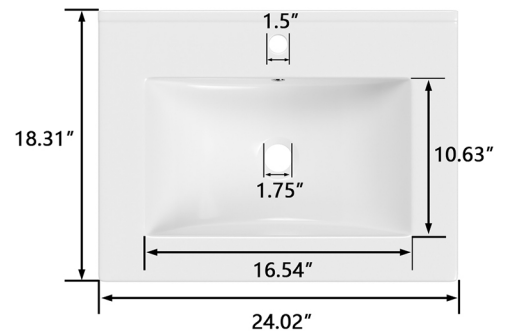
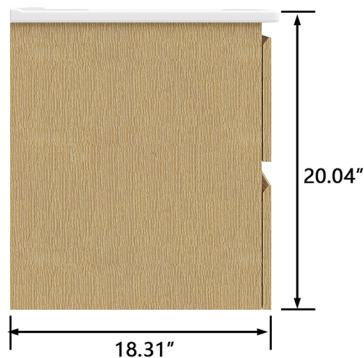
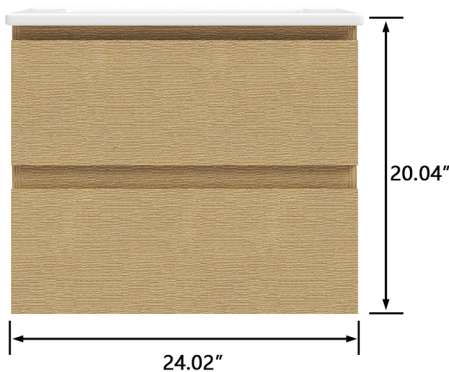
● Mounting Screw Kit



● Instruction Manual

## Technical Specifications:

- + Outer Size: 24.02" L x 18.31" W x 20.04" H
- + Cabinet Drawer Size: 23.23" L x 14.61" W x 8.37" H
- + Number of Cabinet Drawers: 2
- + Cabinet & Top Assembled Weight: 68.34 lbs
- + Assembly Required: No
- + Backsplash Included: No
- + Color: Natural Wood Color
- + Sink Type: Ceramic
- + Cabinet Material: MDF + Wood
- + Faucet Mounting Hole Type: 1 Hole



**#DV-1BV0268NW**

The bathroom vanities are manually measured, so sizes may vary slightly.

**1 Year Warranty**

All DeerValley bathroom vanities come with our warranty within one year.



TEL: 312-626-9466 | [service@deervalleybath.com](mailto:service@deervalleybath.com)