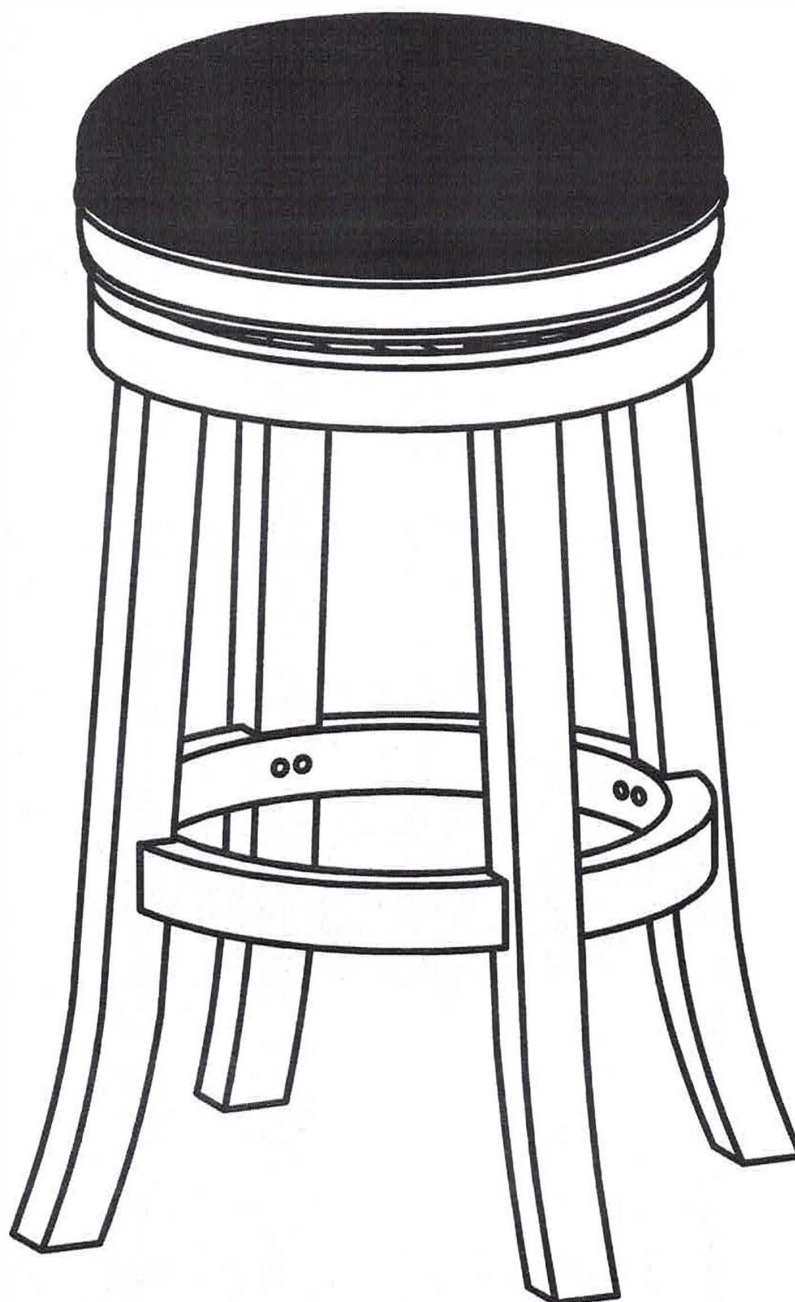
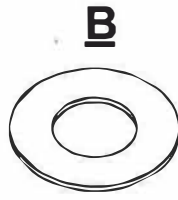


BACKLESS SWIVEL STOOL
ASSEMBLY INSTRUCTIONS

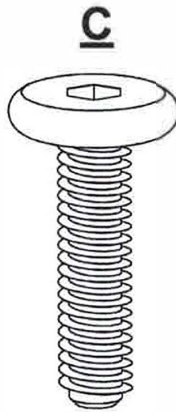




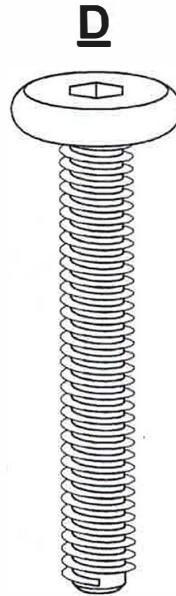
16 PCS



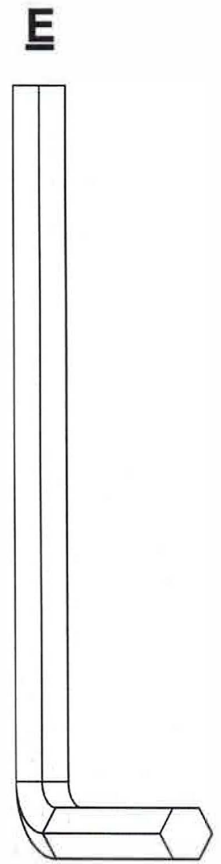
20 PCS



4 PCS

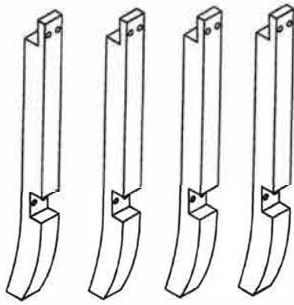


16 PCS

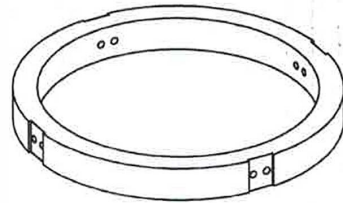


1 PC

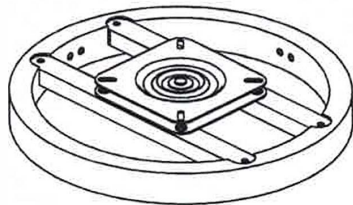
1



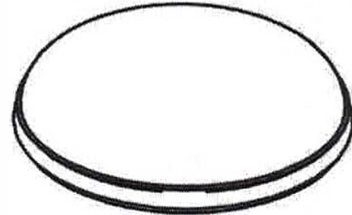
2



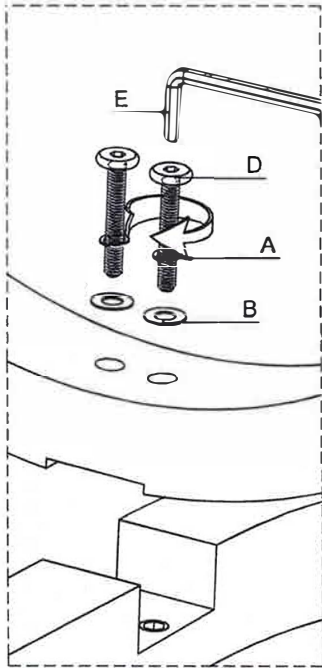
3



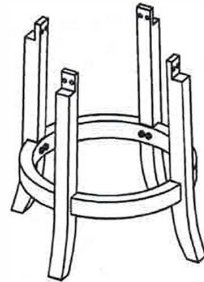
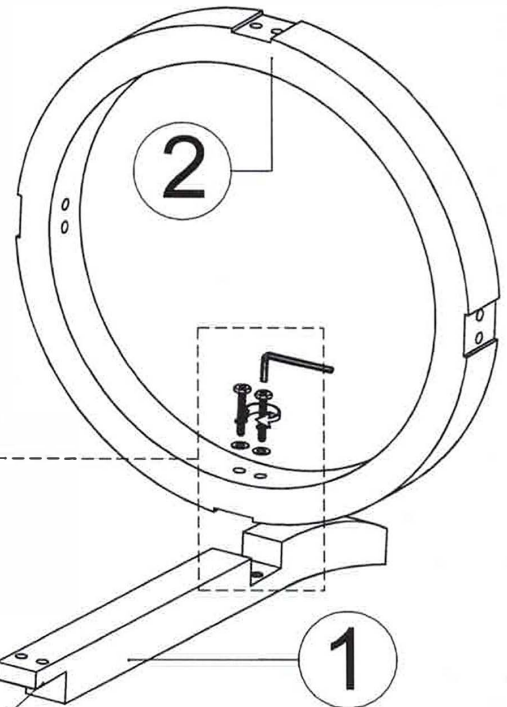
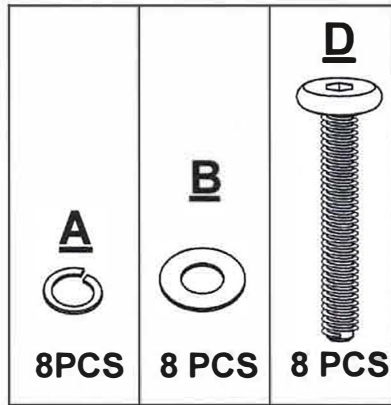
4



01

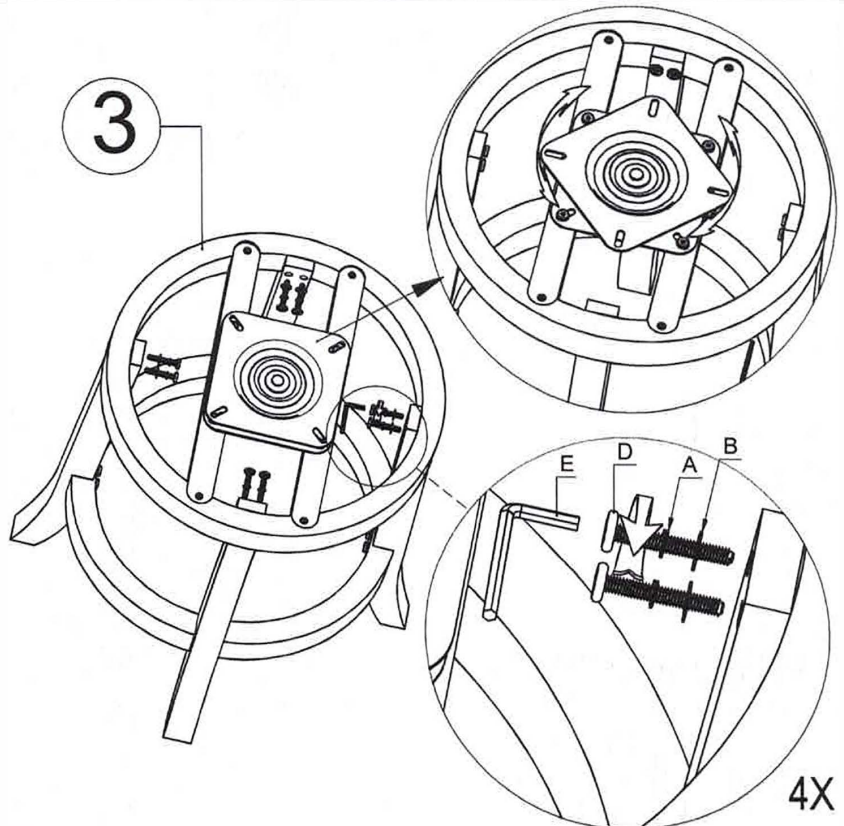
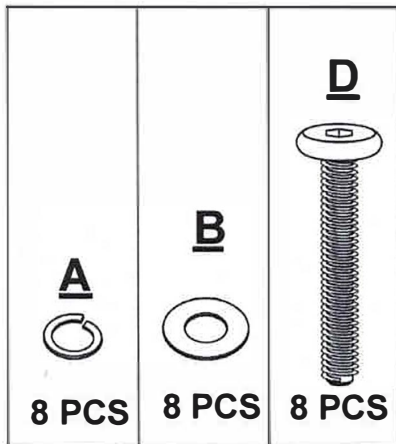


4X



DO NOT TIGHTEN BOLT COMPLETELY.

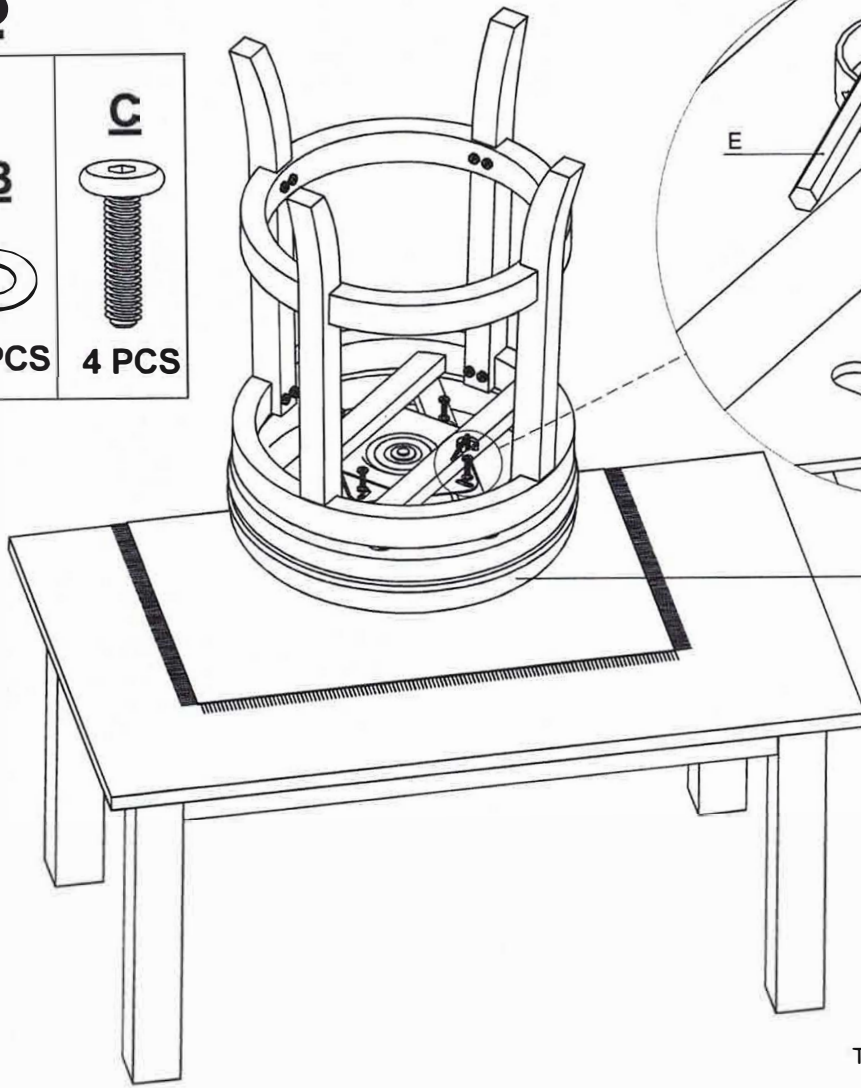
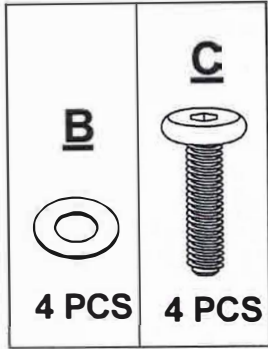
02



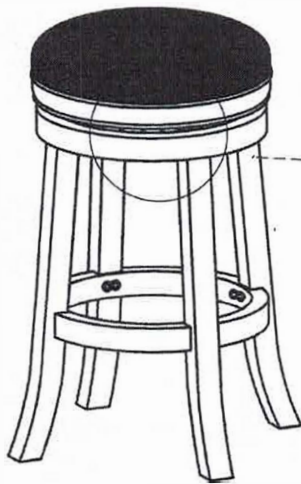
TIGHTEN BOLT COMPLETELY.

4X

03



TIGHTEN BOLT COMPLETELY.



BE SURE TO CHECK ALL BOLTS ARE SECURELY TIGHTENED PRIOR USING THIS STOOL.