











# Assembly Instructions

Caution: You must read this before you proceed

## Care & Maintenance

	<ul style="list-style-type: none"><li>● Not for commercial use. For residential use only.</li></ul>
	<ul style="list-style-type: none"><li>● Do not put hot items directly on furniture surface.</li></ul>
	<ul style="list-style-type: none"><li>● Do not clean furniture with harsh cleansers or polish.</li></ul>
	<ul style="list-style-type: none"><li>● Do not place furniture under direct sunlight.</li></ul>
	<ul style="list-style-type: none"><li>● Do not place furniture near heating or cooling vents.</li></ul>
	<ul style="list-style-type: none"><li>● Do not write on furniture without a padded barrier to protect the surface.</li></ul>
	<ul style="list-style-type: none"><li>● Do not place furniture outside . For indoor use only.</li></ul>
	<ul style="list-style-type: none"><li>● Stains may be removed with mild soap solution and damp cloth.</li></ul>
	<ul style="list-style-type: none"><li>● Children should not climb or jump on the furniture.</li></ul>
	<ul style="list-style-type: none"><li>● Dust and pick-up spills using a clean, non-colored, lint-free cloth.</li></ul>

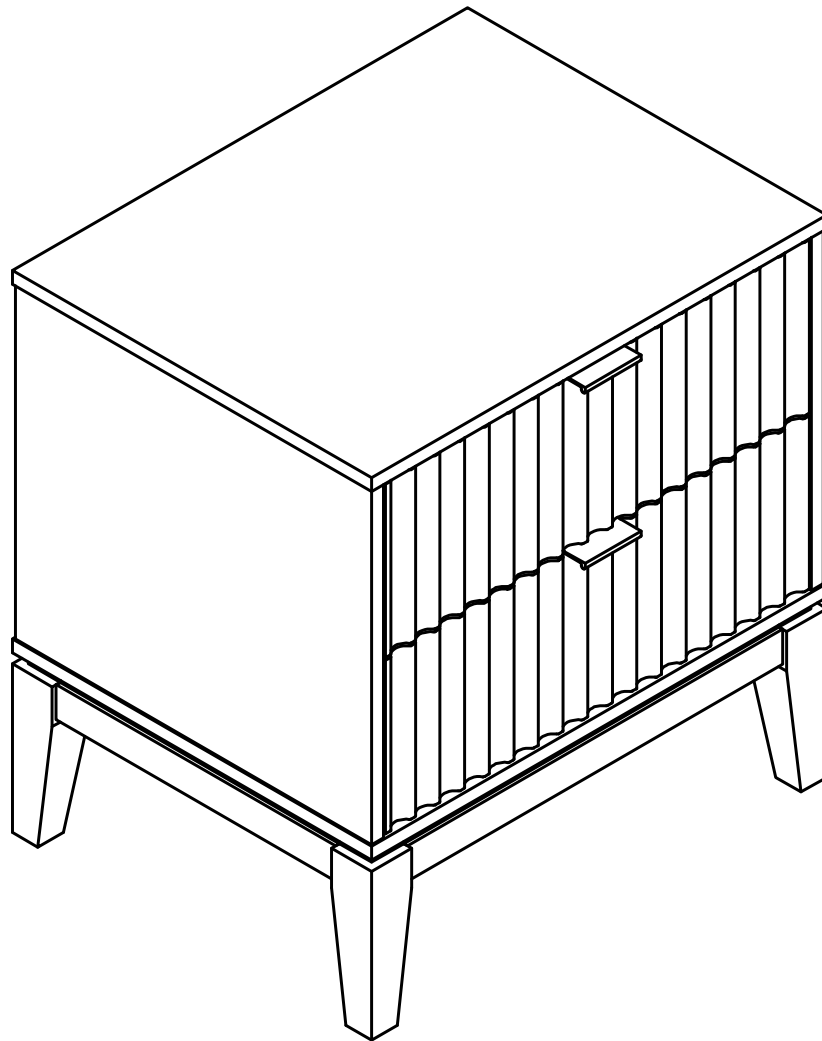
Please look in Bottom carton for hardware packs and Legs.

# Assembly Instructions

Please look in the Bottom Box for Hardware packs and Legs

## CABINET WITH 2 DRAWER

Item No: N758P386962

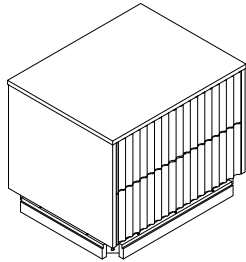
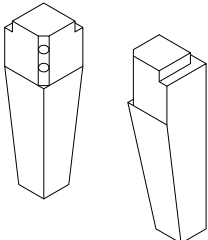


**Caution:** This cabinet is NOT a TOY. Keep your child / children at bay during the assembly process. Whenever lifting or moving the Cabinet and to prevent damage to the cabinet, two adults may be needed to execute these actions.

# ASSEMBLY INSTRUCTION

## ITEM NO. N758P386962N

### Parts List

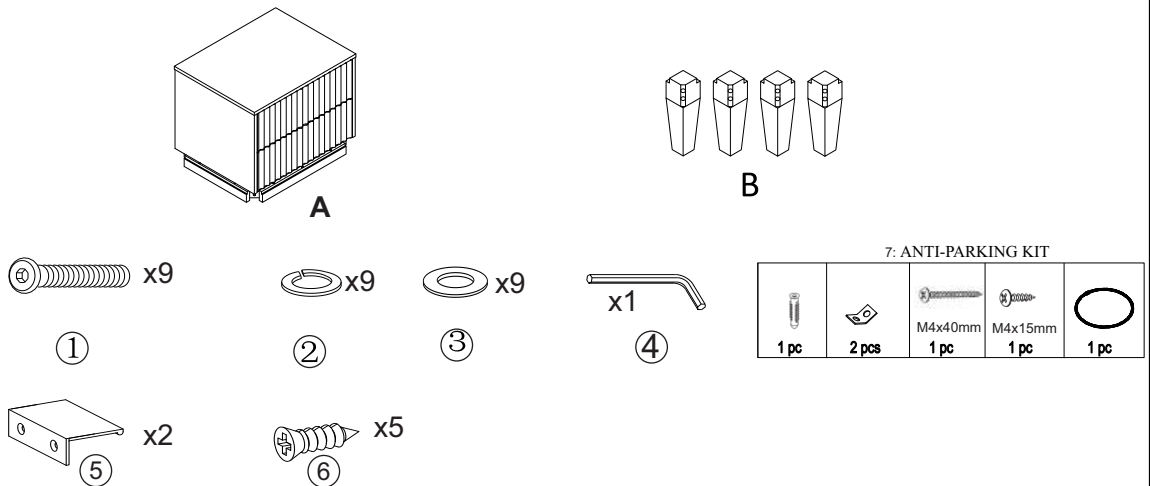
Label	Picture	Description	QTY
A		Top Frame	1
B		Legs	4

### Hardware

Label	Picture	Description	QTY
①		Bolt (1/4" x 50mm)	9
②		Spring Washer (φ6)	9
③		Flat Washer (φ6)	9
④		Allen Wrench (K4 x 80 )	1
⑤		HANDLE L70x40mm	2
⑥		WOOD SCREW M3x15mm	5
		SCREWDRIVER	NOT PROVIDED
⑦		Anti Tip Kit	1 set
⑦.1		Plastic Anchor	1
⑦.2		Metal Bracket	2
⑦.3		Long screw M4 x 40mm	1
⑦.4		Short screw M4 x 15mm	1
⑦.5		Strape	1

# Assembly Preparation

Before Beginning Assembly:



- Read instructions, cover to cover-



- Have 2 adults on hand for assembly-



- Do not assemble on flooring or carpet-



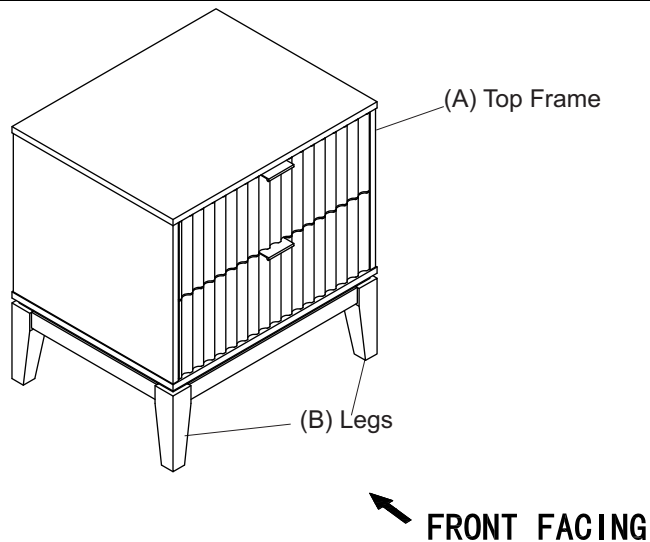
- Assemble on a clean non-marring surface (packing foam)-



- Save all packaging until finished-

# Assembly Steps

## Overview

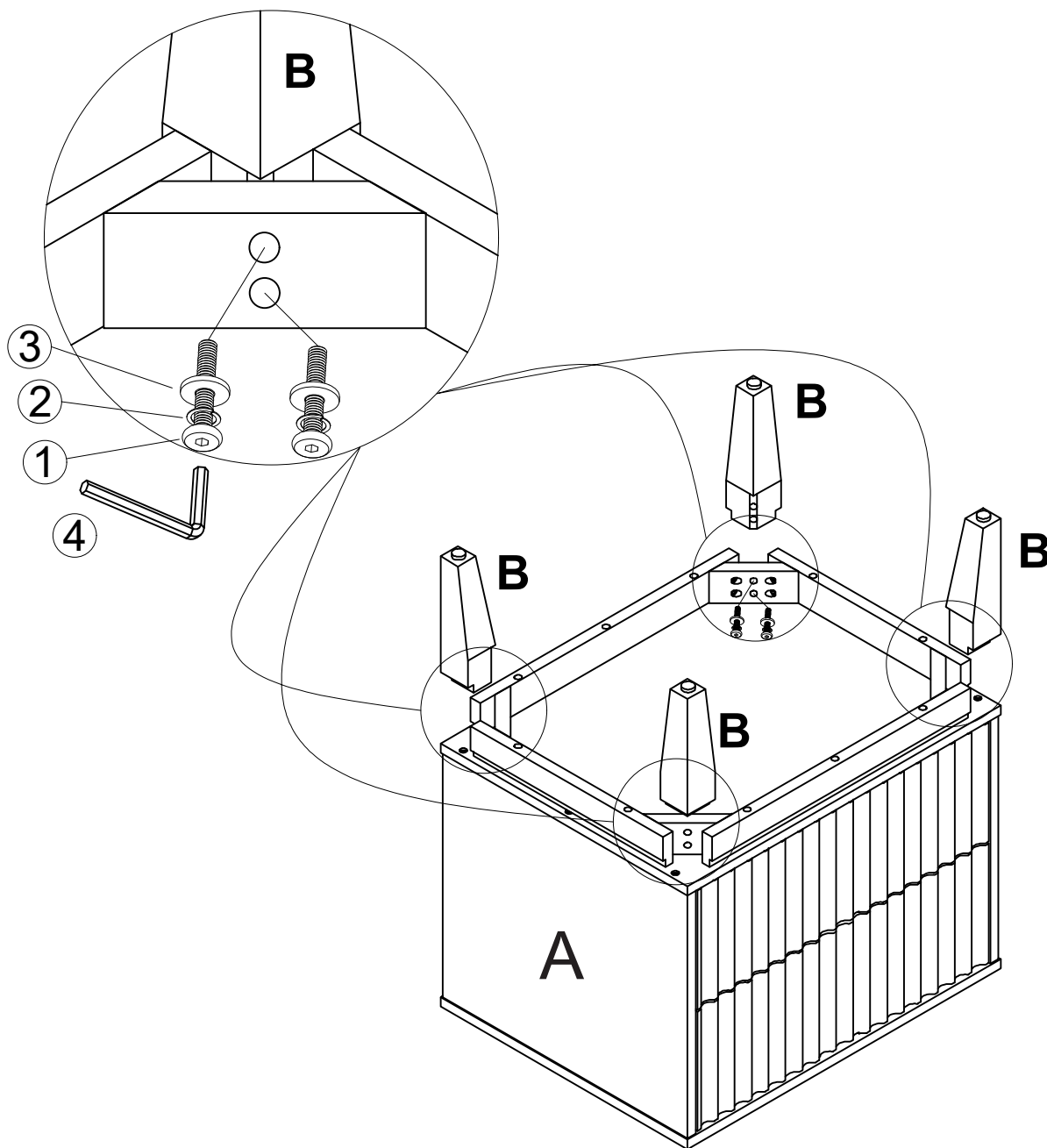


This Cabinet has multiple parts and may require up to some 20 minutes to assemble. To give you an overview of the cabinet parts, the above picture is to help you put the various parts into perspective. Please read through the instructions below to familiarise yourself with the parts and steps before assembly.

# ASSEMBLY INSTRUCTION

## ITEM NO. N758P386962

### Step 1



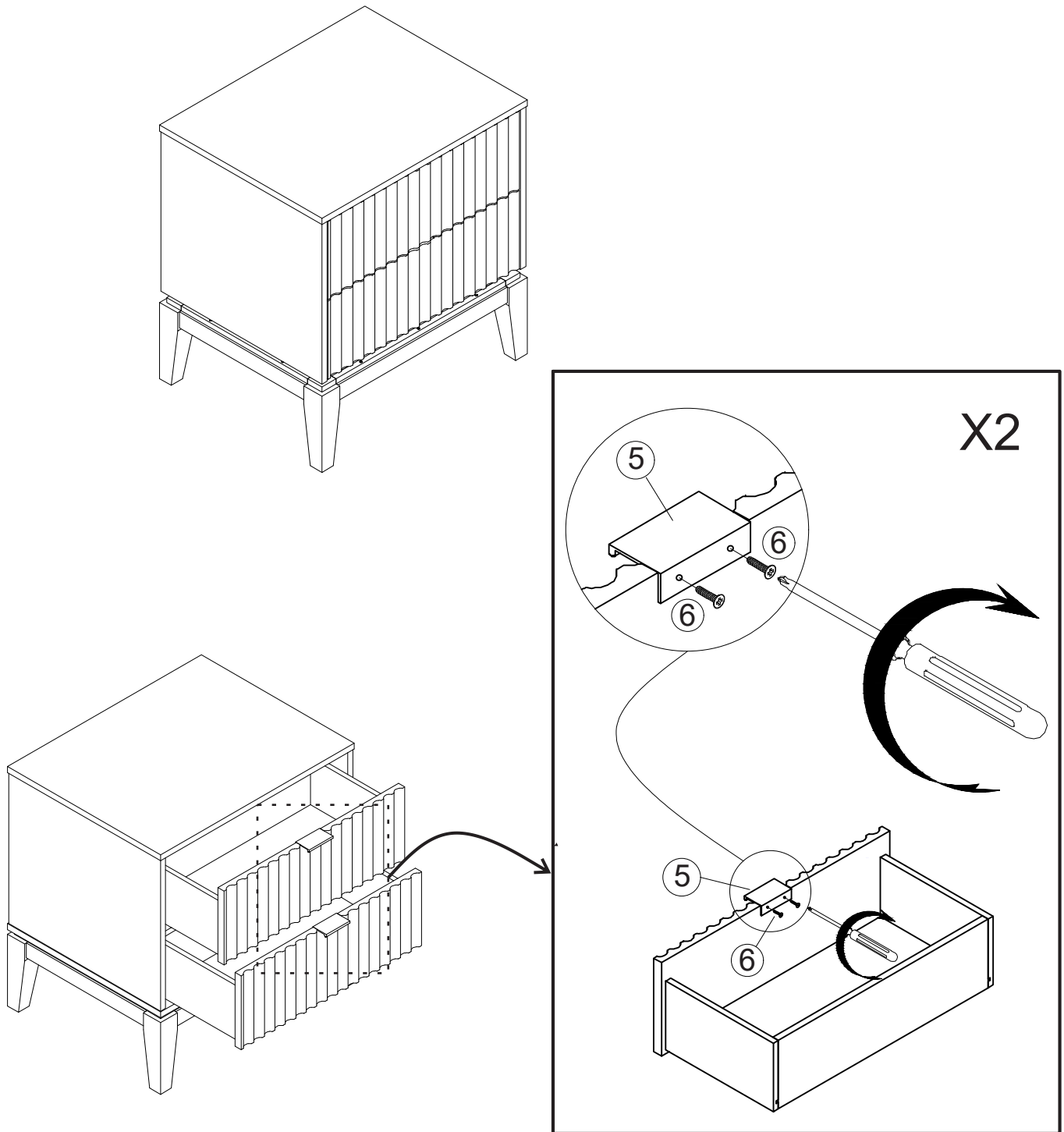
Unpack and place all parts on clean, non - marring surface.  
Place the Top Frame (A) upside down as show above.  
Attach the Legs (B) to the bottom of Top Frame (A) by using Bolts (①), Spring Washer (②), Flat Washer (③) with Allen Wrench (④)

**DO NOT fully tighten the Bolt.**

# ASSEMBLY INSTRUCTION

## ITEM NO. N758P386962

### Step 2

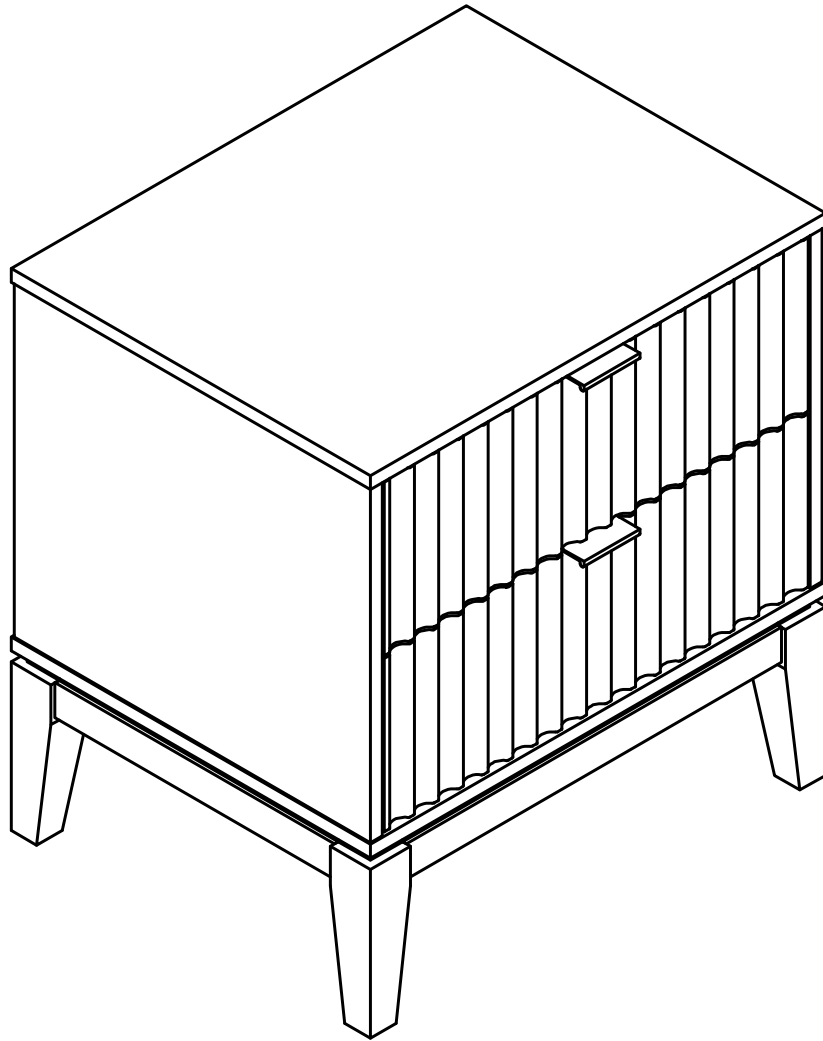


Stand the cabinet on it right side up.

Open the Drawers, attach the Handle (5) onto the Drawer by Screw (6) with Screwdriver (Not provided) as shown above.

ASSEMBLY INSTRUCTION  
ITEM NO. **N758P386962**

**Step 3**






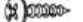

Exert pressure floorwards onto the Cabinet with both your hands. This pressure will help the Legs and Cabinet Top reach full alignment status. Check for wobbles on a LEVEL surface. If no wobbles are found proceed to tighten the Bolts and screws in a sequential manner until evenly secured. Your Cabinet is ready for use. This Cabinet can only be used on the flat, level surface.

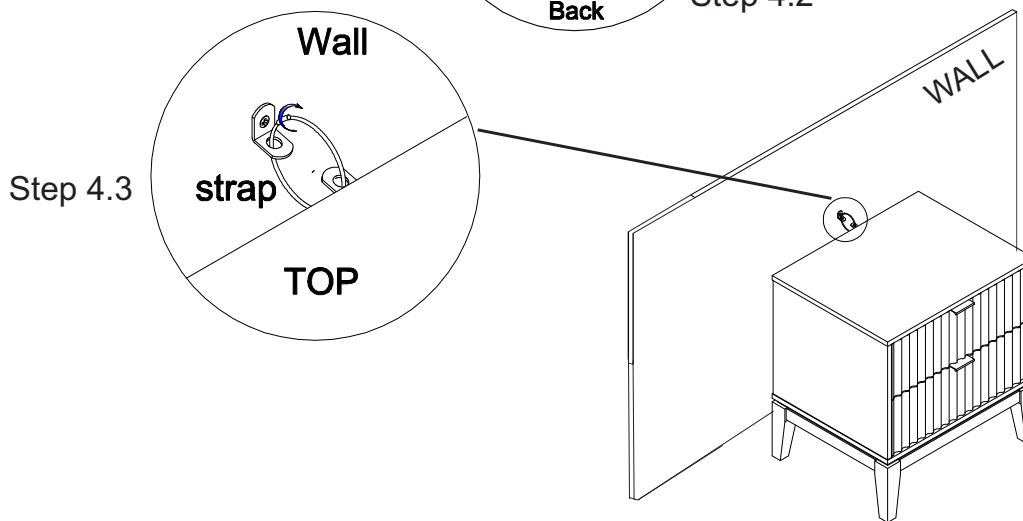
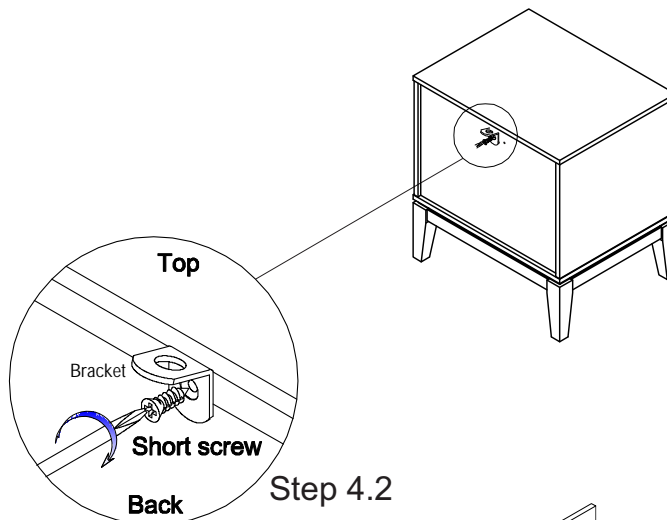
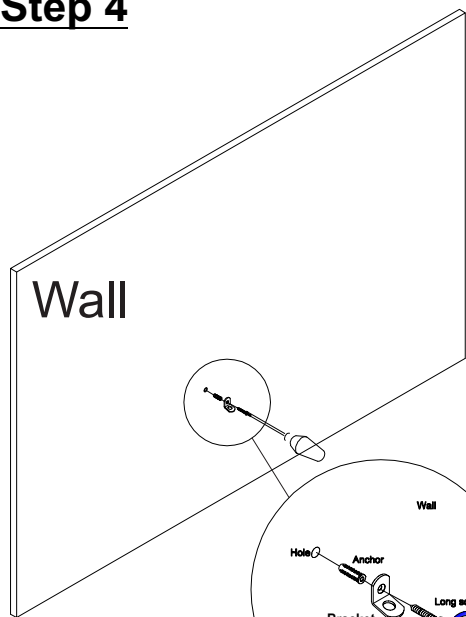
# AITI-TIP DEVICE INSTALLATION

It is optional, install if necessary

## Step 4

### 7: ANTI-PARKING KIT

7.1	7.2	7.3	7.4	7.5
				
1 pc	2 pcs	M4x40mm 1 pc	M4x15mm 1 pc	1 pc



4.1: Find the location of the screw holes on the wall. Move the cabinet back to the wall. Mark one points the same height as the cabinet on the wall.

NOTE: The metal Brackets need to be secured to solid, load bearing surface. Please use a Stud Finder (not provided) if needed to locate the Wall Frame.

Insert the Plastic Anchors (7.1) into the wall and attach Metal Brackets (7.2) to Plastic Anchors (7.1) using long screw (7.3) with Screwdriver.

4.2: Attach the Metal Brackets (7.2) to the Cabinet using the short screw (7.4) with Screwdriver.

4.3: Thread the Strap (7.5) through the 2pcs Metal Brackets (7.2) to secure the Cabinet to the wall.

CAUTION: Restraint Strap (7.5) between the product and Metal Brackets (7.2) on the wall should be within 3.5")