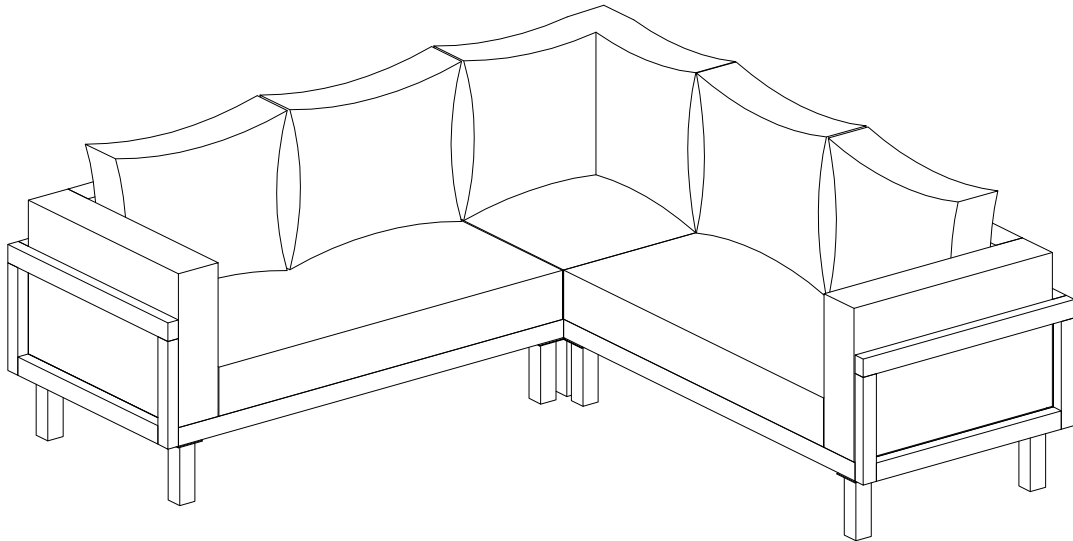


Instruction Manual

230x230cm Corner Sofa



CONTENTS

Safety and care advice	1
Components	2
Assembly instructions	4

⚠ SAFETY AND CARE ADVICE ⚠

PLEASE READ THESE INSTRUCTIONS CAREFULLY AND KEEP FOR FUTURE REFERENCE

- **Warning:** Please lift with care.
- Check you have all the components and tools listed on pages 2 and 3.
- Remove all fittings from the plastic bags and separate them into their groups.
- Keep children and animals away from the work area, small parts could choke if swallowed.
- Make sure you have enough space to lay out the parts before starting.
- Do not stand or put weight on the product, this could cause damage.
- Assemble the item as close to its final position (in the same room) as possible.

- Assemble on a soft level surface to avoid damaging the unit or your floor (use opened out unit carton).



- We do not recommend the use of power drill/drivers **for inserting screws**, as this could damage the unit. Only use hand screwdrivers.
- Dispose of all packaging carefully and responsibly.

CARE AND MAINTENANCE

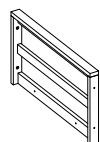
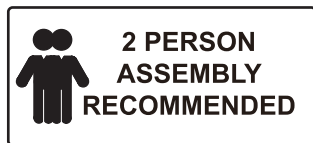
- Only clean using a damp cloth and mild detergent, do not use bleach or abrasive cleaners.
- From time to time check that there are no loose screws on this unit.

- This product should not be discarded with household waste. Take to your local authority waste disposal center.

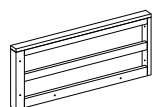
Note *If required the next page can be cut out and used as reference throughout the assembly. Keep this page with these instructions for future reference.*

COMPONENTS

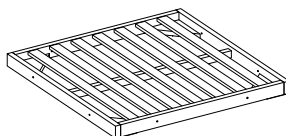
Please check you have all the panels listed below:



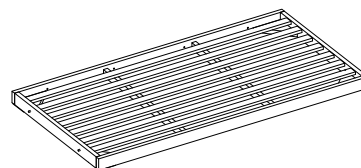
① X1



② X1



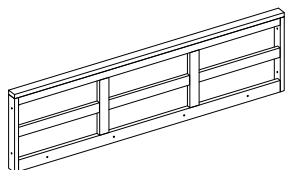
③ X1



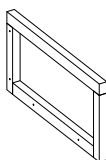
④ X2



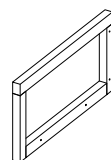
⑤ X12



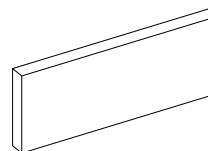
⑥ X2



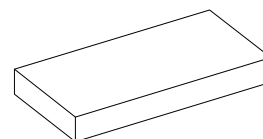
⑦ X1



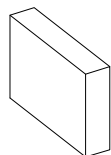
⑧ X1



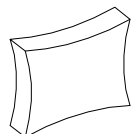
⑨ X2



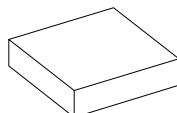
⑩ X2



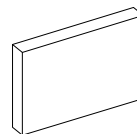
⑪ X2



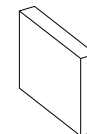
⑫ X4



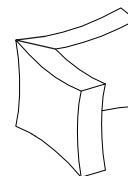
⑬ X1



⑭ X1



⑮ X1



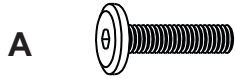
⑯ X1

1. Corner backrest	x 1	9. Bench back cushion	x 2
2. Corner armrest	x 1	10. Bench seat cushion	x 2
3. Corner seat	x 1	11. Bench arm cushion	x 2
4. Bench seat	x 2	12. Bench loose cushion	x 4
5. Leg	x 12	13. Corner seat cushion	x 1
6. Bench backrest	x 2	14. Corner armrest cushion	x 1
7. Bench right arm	x 1	15. Corner back cushion	x 1
8. Bench left arm	x 1	16. Corner loose cushion	x 1

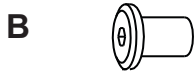


COMPONENTS

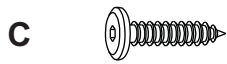
Please check you have all the fittings listed below:



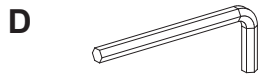
Screw ($\Phi 6 \times 40 \text{mm}$) x 30



Nut ($\Phi 6 \times 15 \text{mm}$) x 20



Screw ($\Phi 6 \times 20 \text{mm}$) x 48

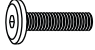





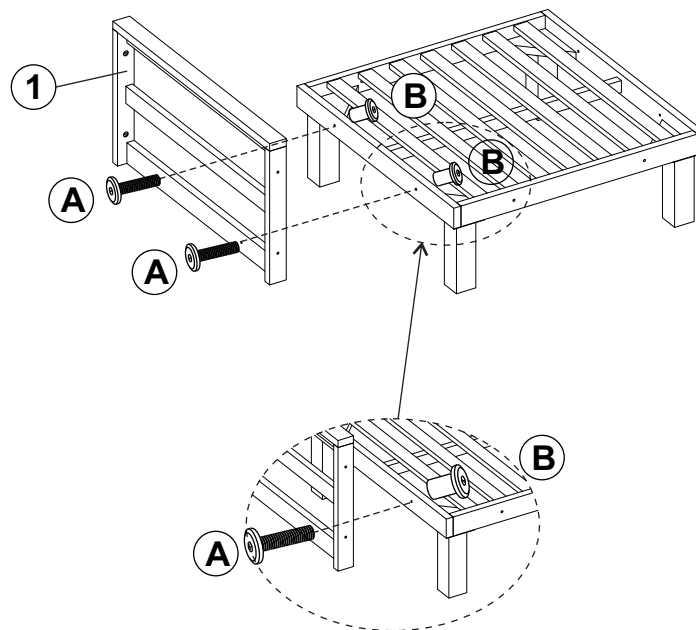
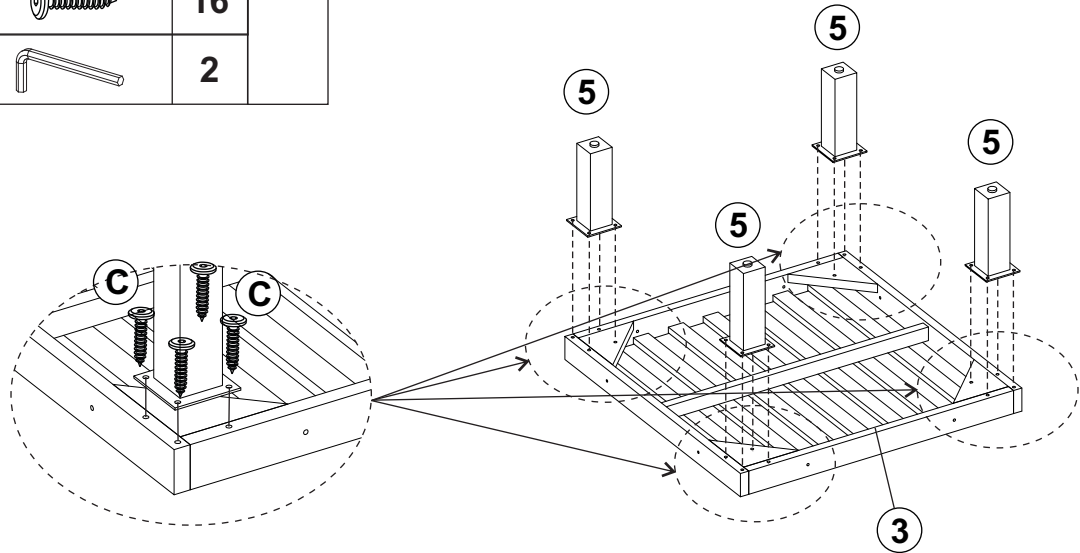
Allen key x 3



ASSEMBLY INSTRUCTIONS


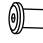

Step 1

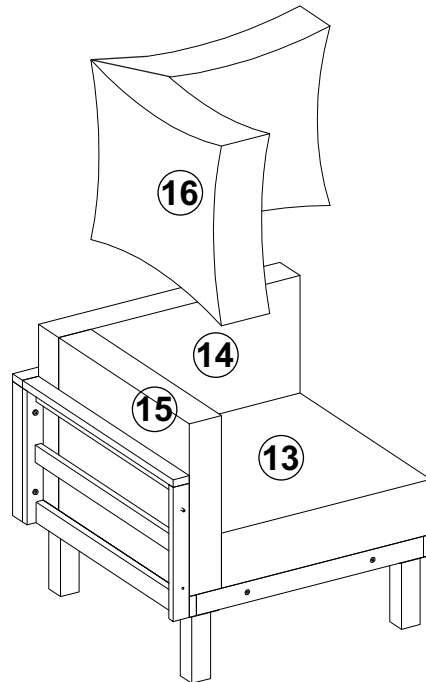
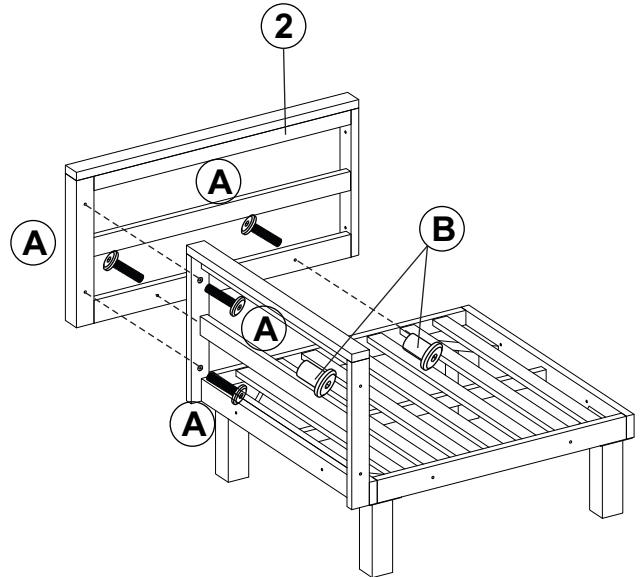
A		2
B		2
C		16
D		2



ASSEMBLY INSTRUCTIONS

Step 2


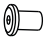
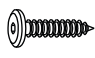

A		4	
B		2	
D		2	

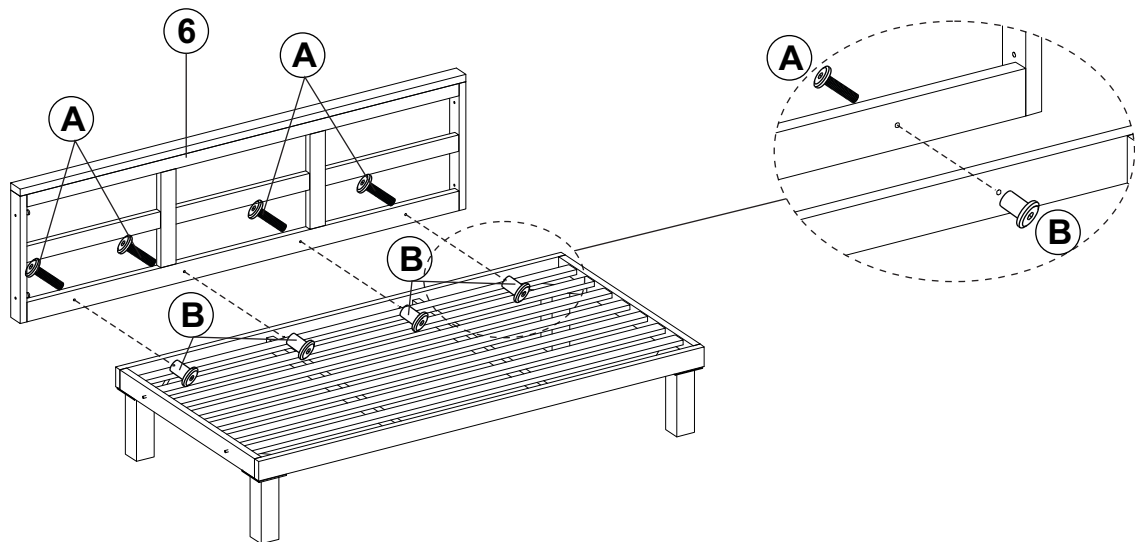
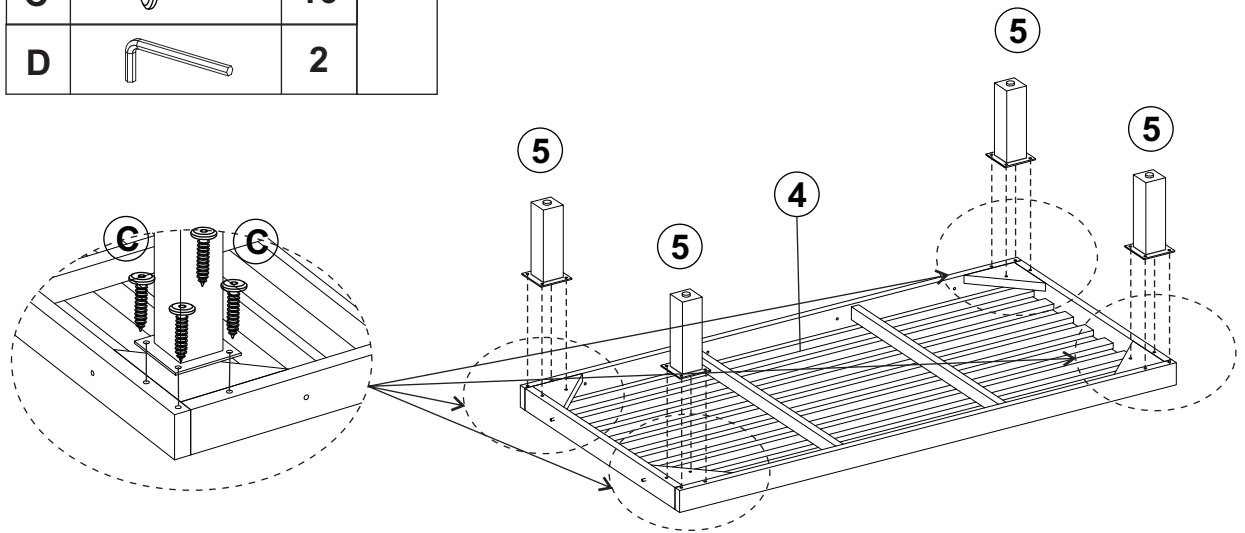


Congratulations! Now you have finished assembling the product.

ASSEMBLY INSTRUCTIONS



Step 3

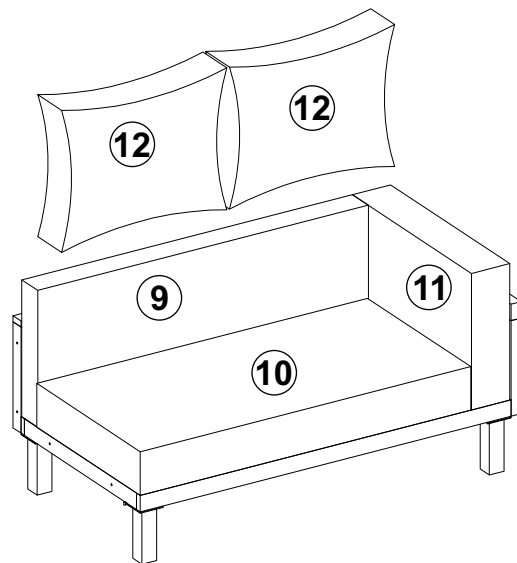
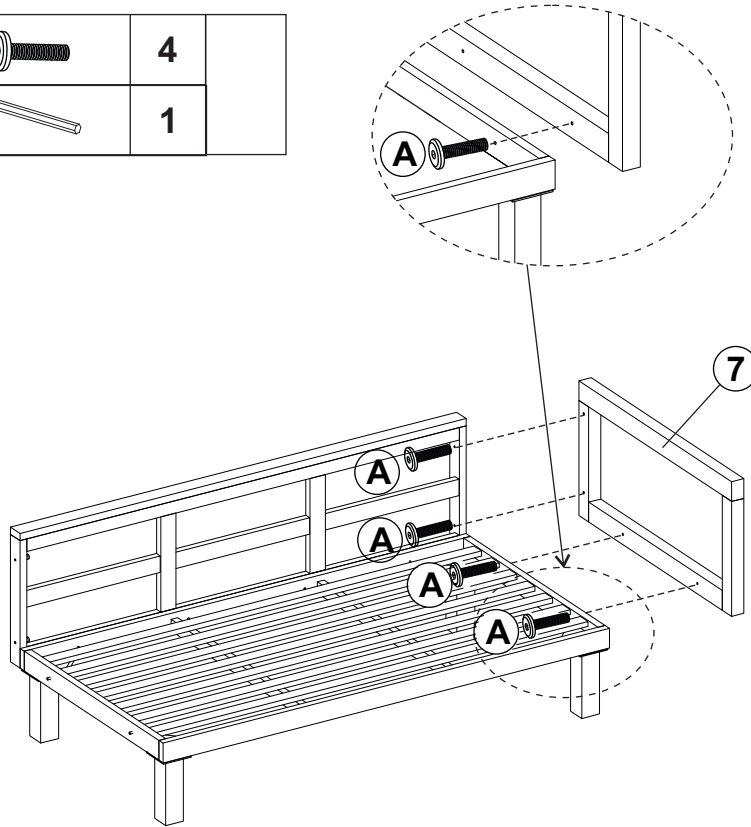
A		4
B		4
C		16
D		2



ASSEMBLY INSTRUCTIONS

Step 4


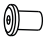
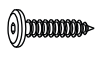

A		4	
D		1	

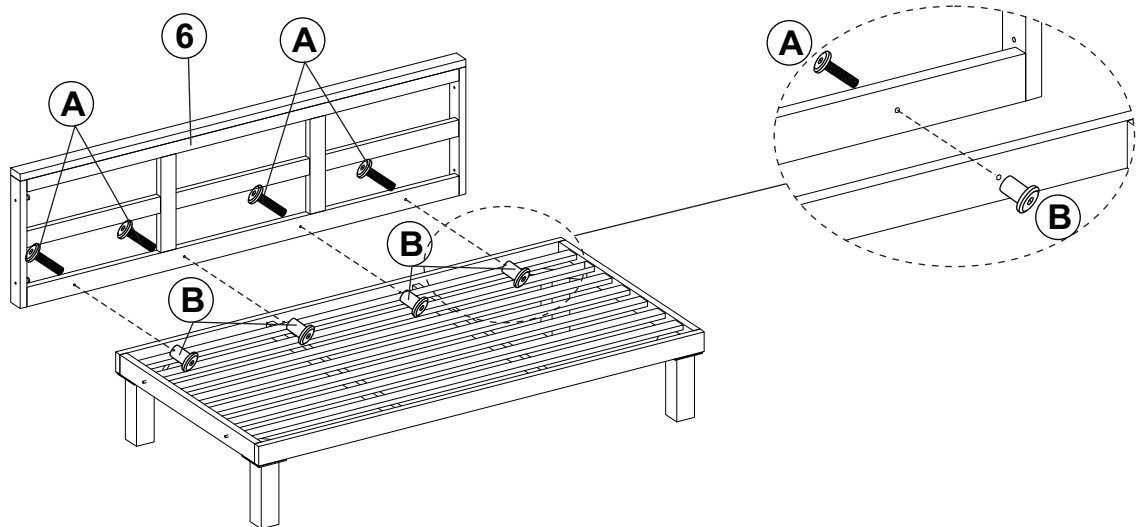
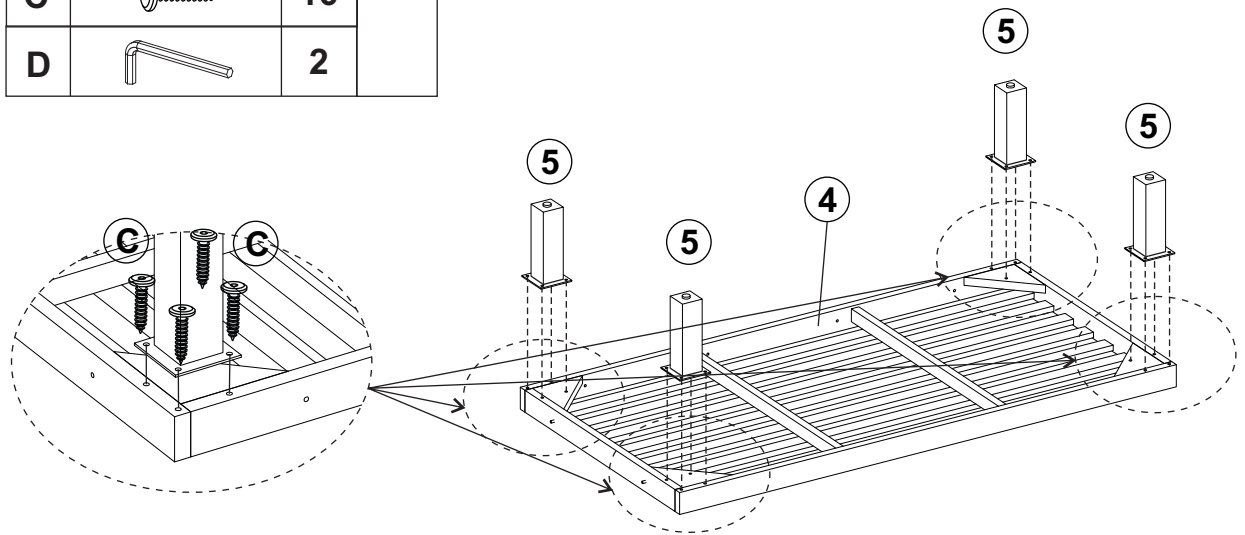


Congratulations! Now you have finished assembling the product.

ASSEMBLY INSTRUCTIONS



Step 5

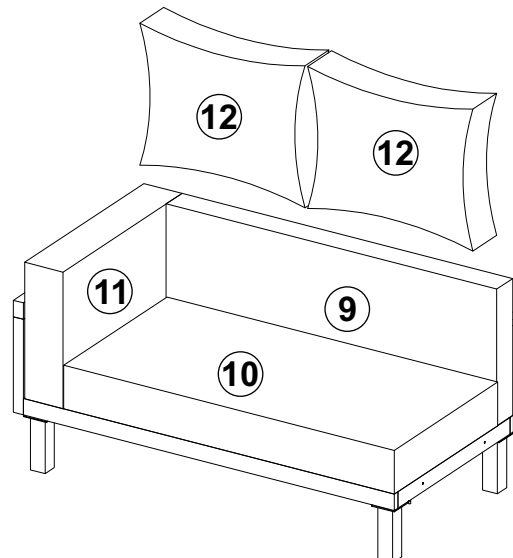
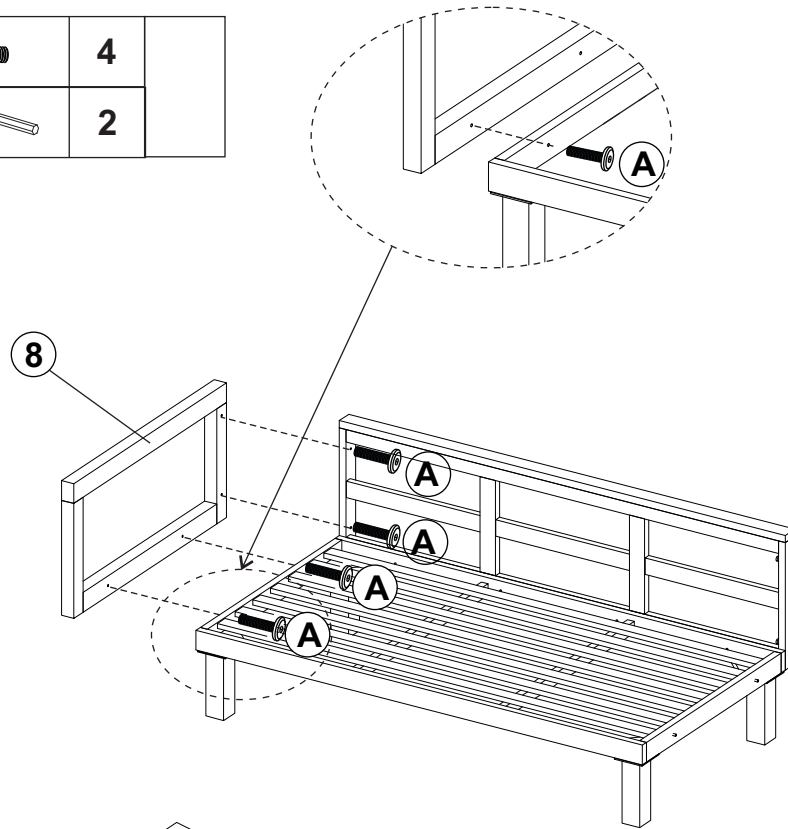
A		4
B		4
C		16
D		2



ASSEMBLY INSTRUCTIONS

Step 6

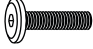
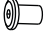

A		4	
D		2	



Congratulations! Now you have finished assembling the product.

ASSEMBLY INSTRUCTIONS

Step 7

A		8
B		8
D		2

