

INSTALLATION INSTRUCTIONS

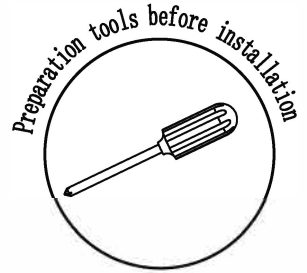
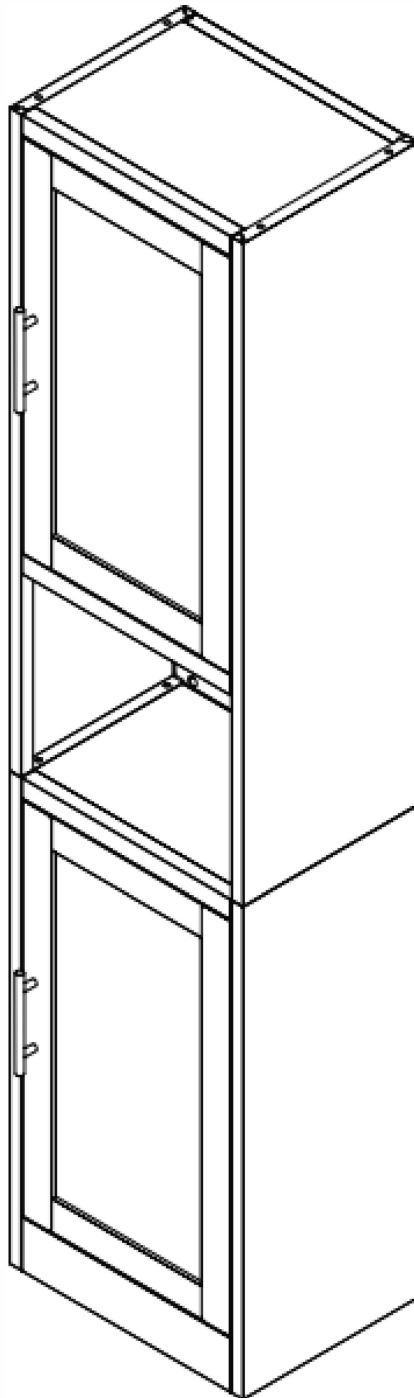
THANK YOU FOR CHOOSING OUR PRODUCTS !

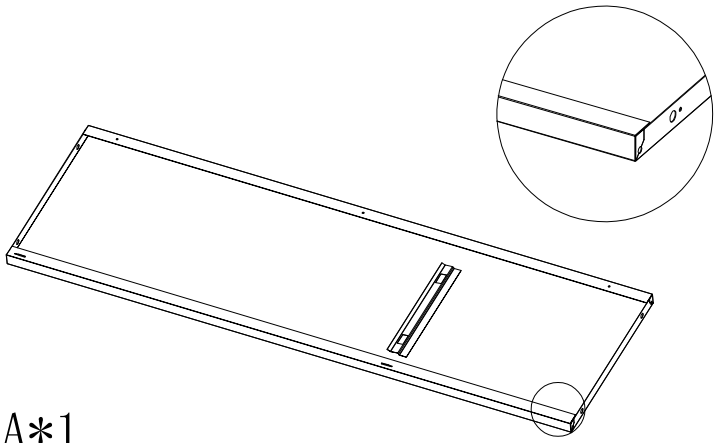
Before Assembly:

1. Please confirm the completeness of the components and the parts according to the Parts Diagram. If you have any question, Please contact with us and our Professional Customer Service Team will approve all you need within 24 hours.
2. It's not too difficult to assemble, But it will be easier if there is another one assemble it with you.

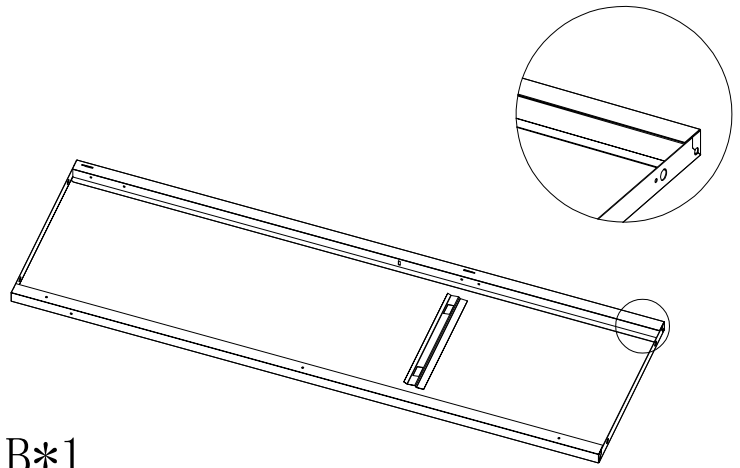
During Assemble:

1. Please pay attention that some components may be a little sharp, Take care.
2. During assembly, please fix the screws temporarily and tighten them at last.

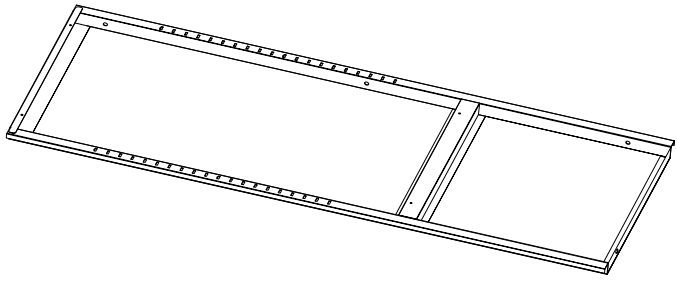




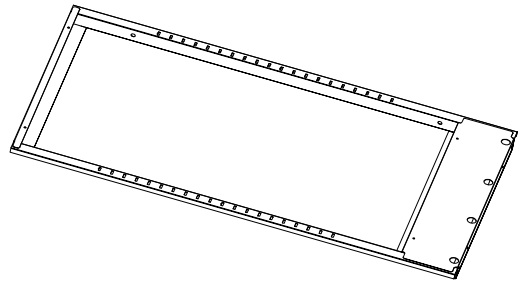
A*1



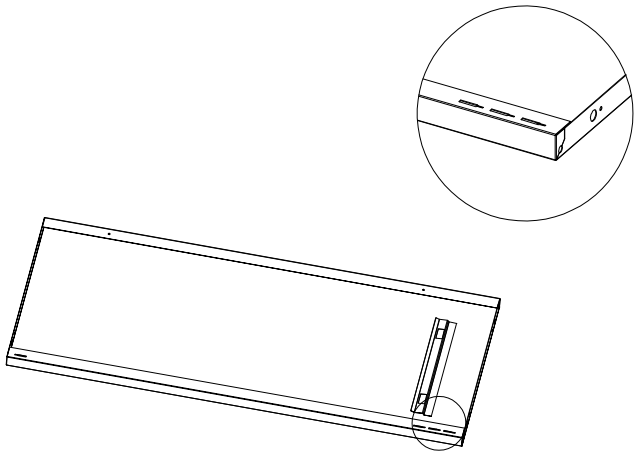
B*1



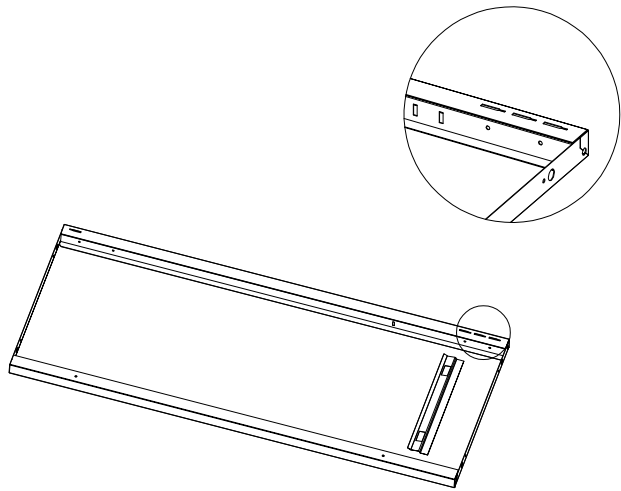
C*1



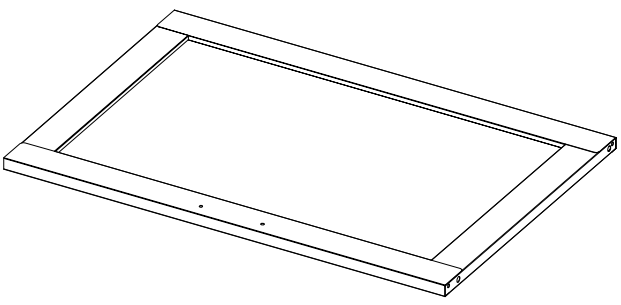
W*1



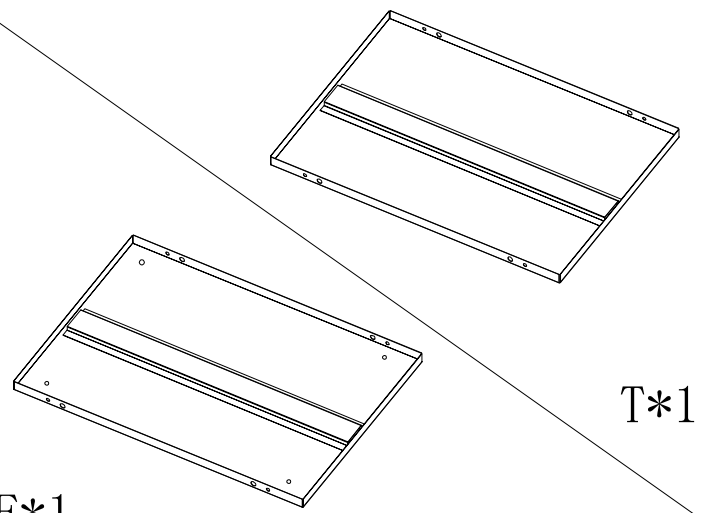
U*1



V*1

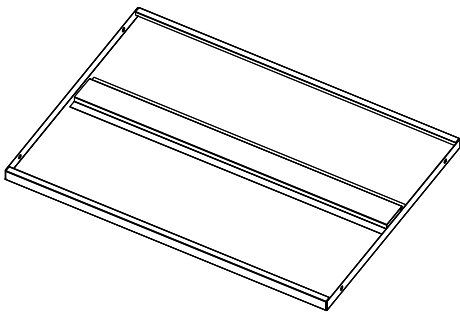


D*2

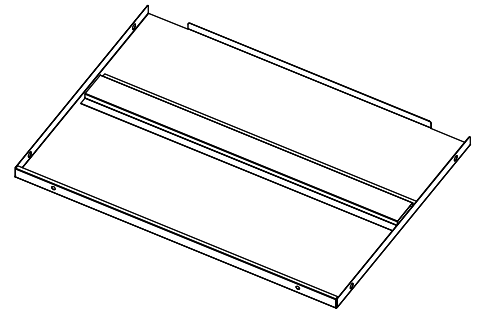


E*1

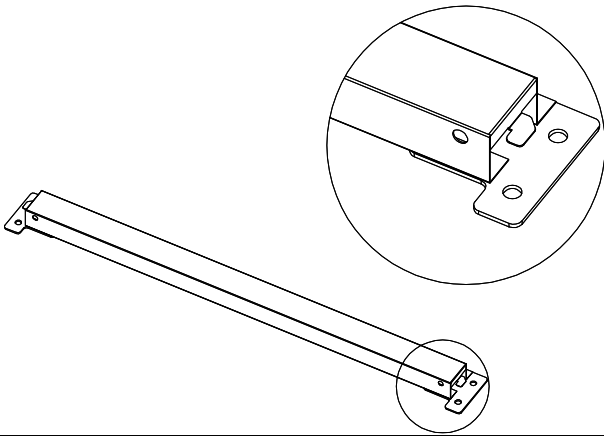
T*1



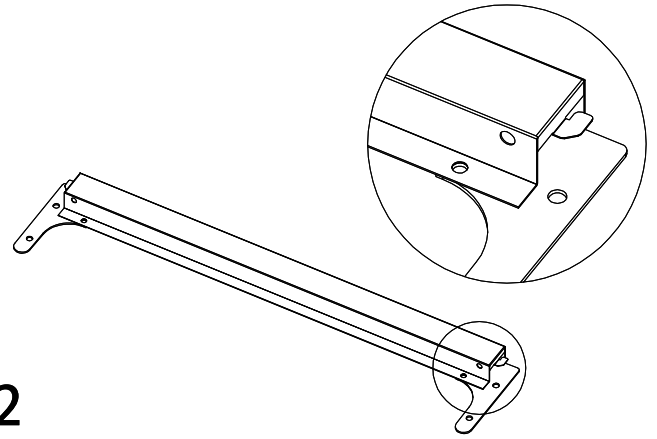
F*4



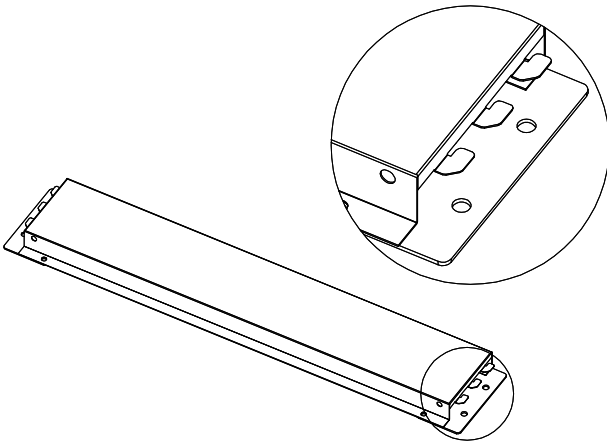
G*2



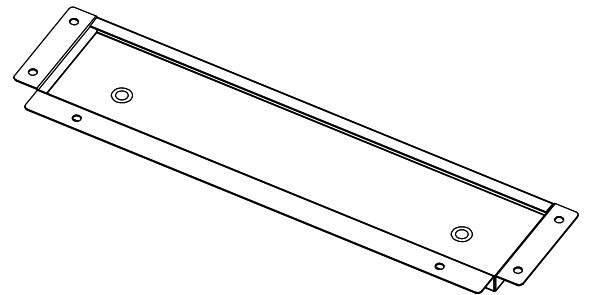
I*1



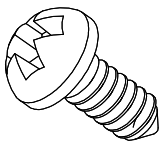
H*2



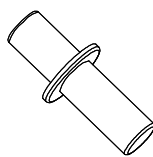
K*1



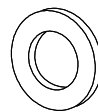
L*2



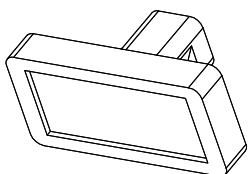
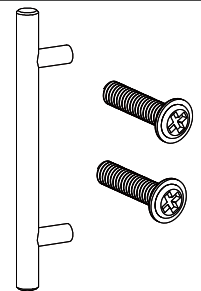
M*51



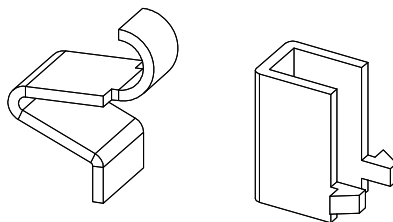
N*2



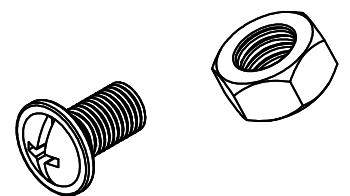
O*2



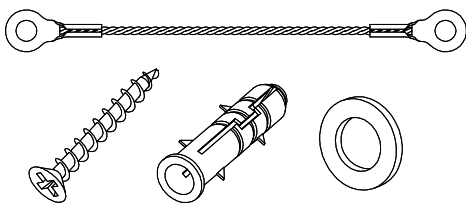
P*4



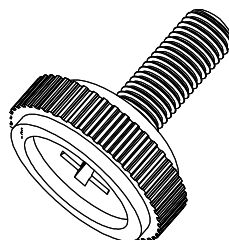
Q*16



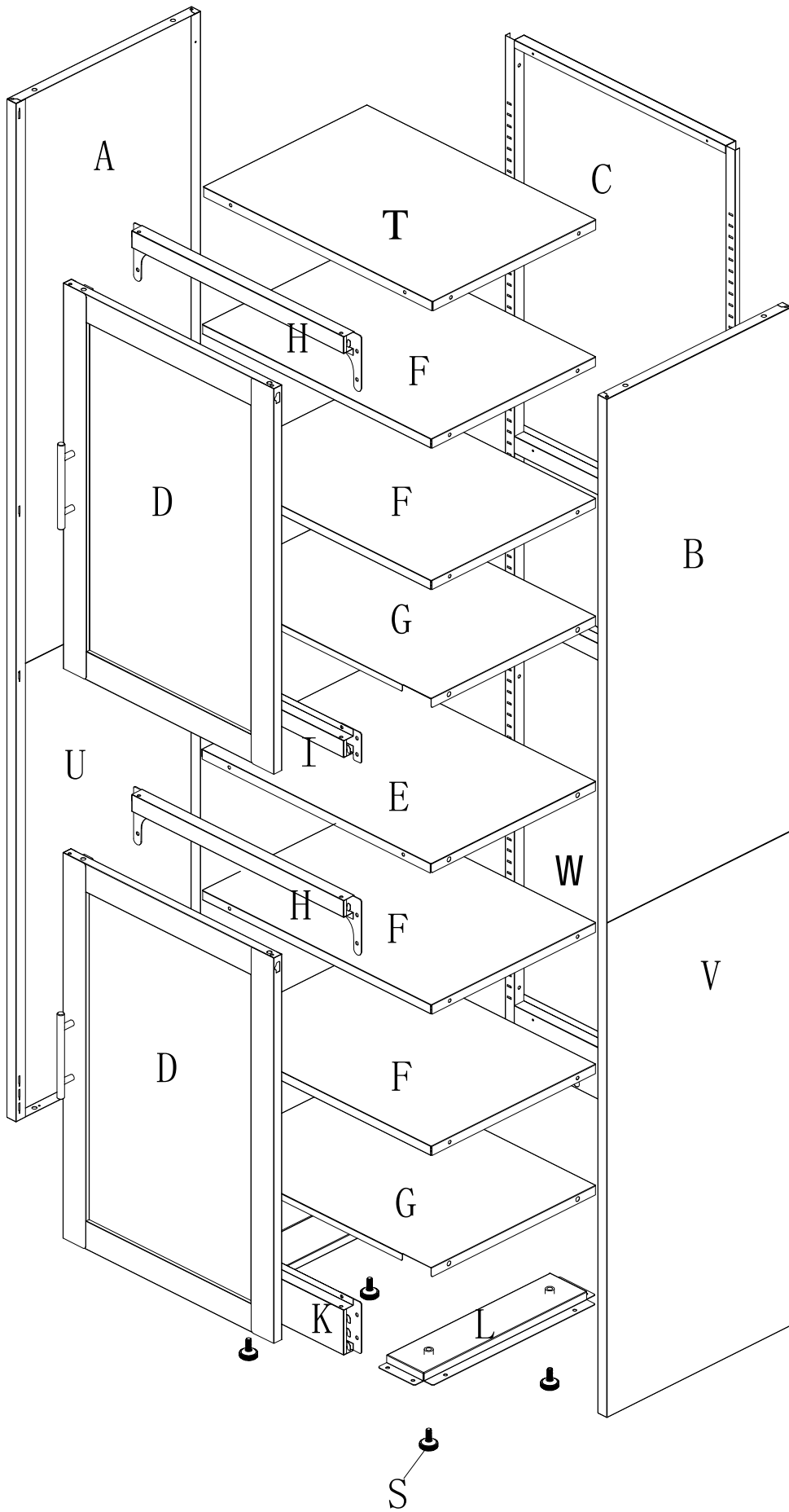
X*6

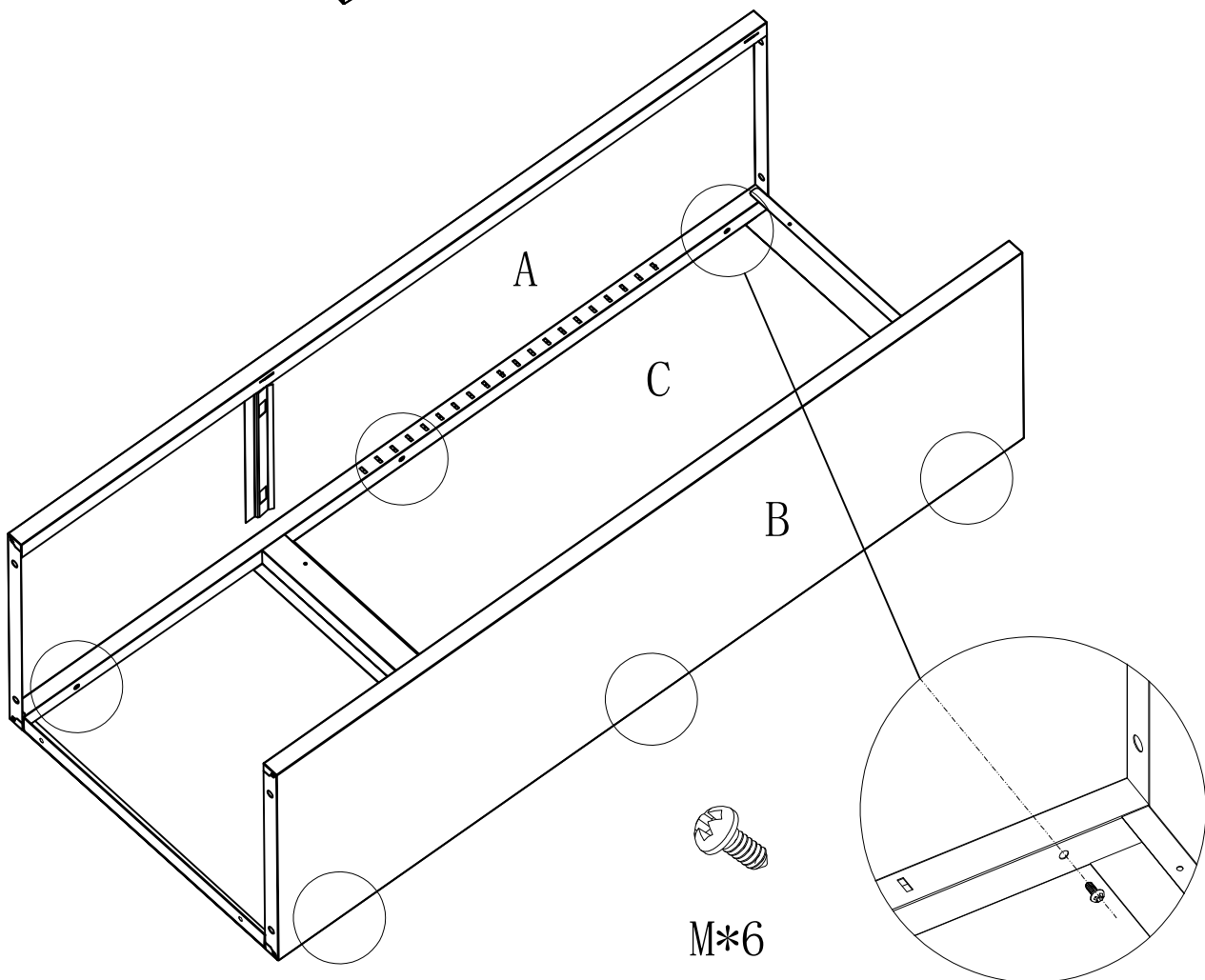
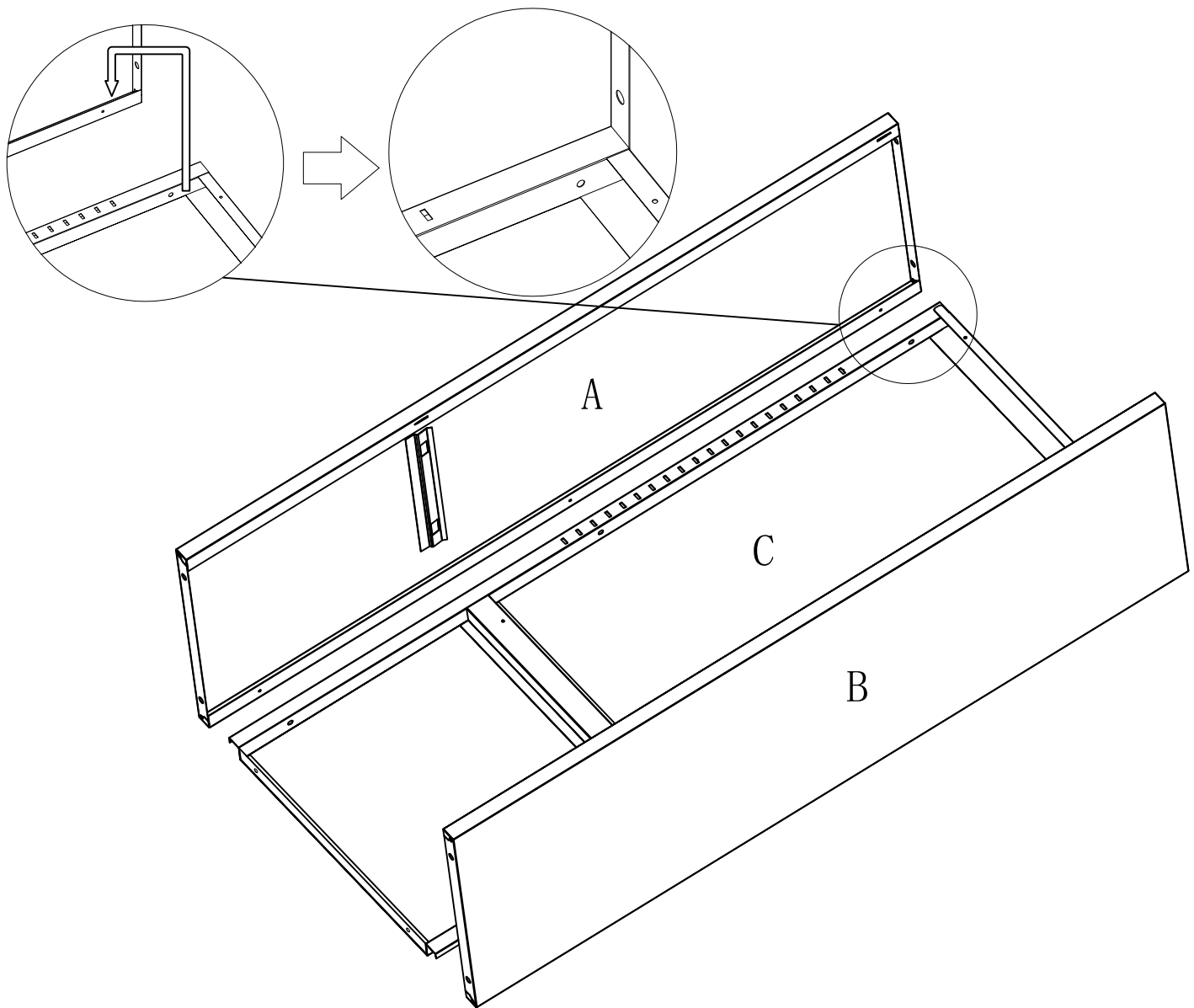


R*1



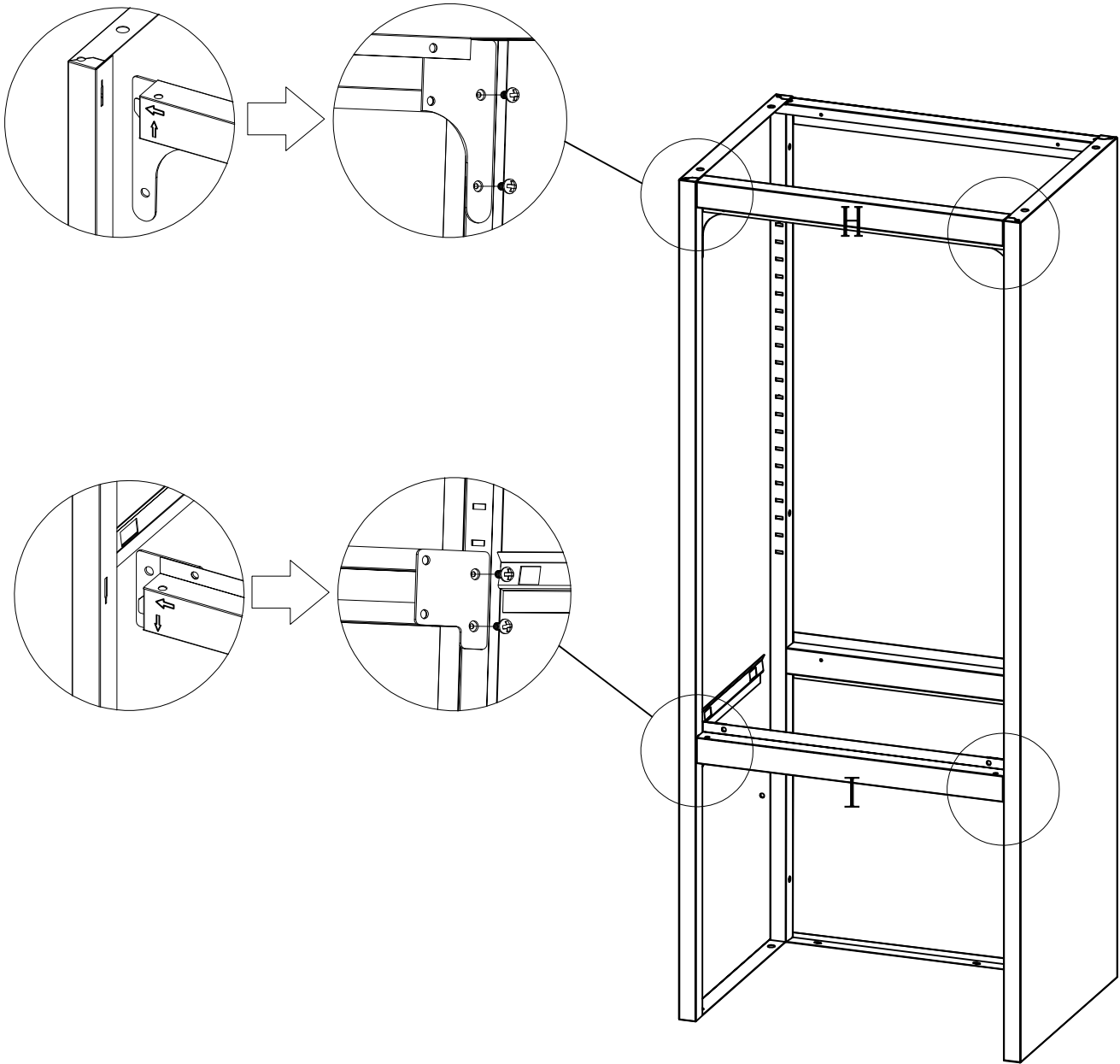
S*4



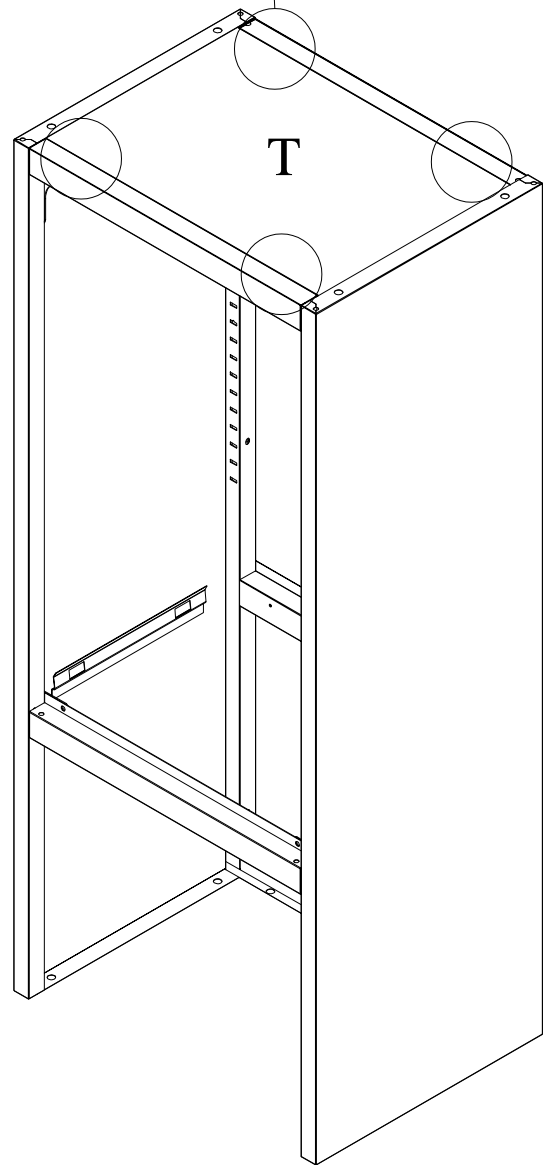
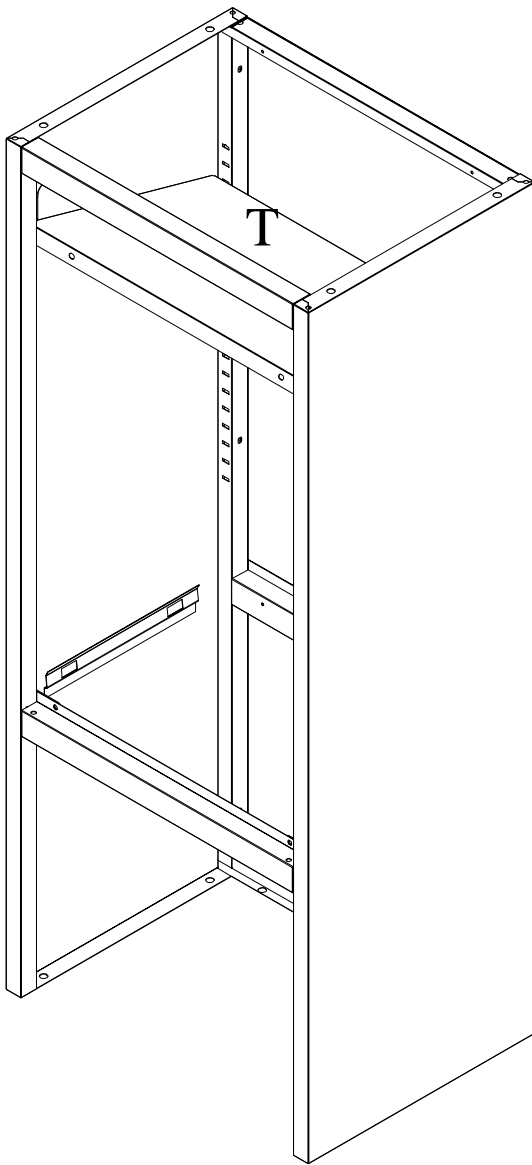
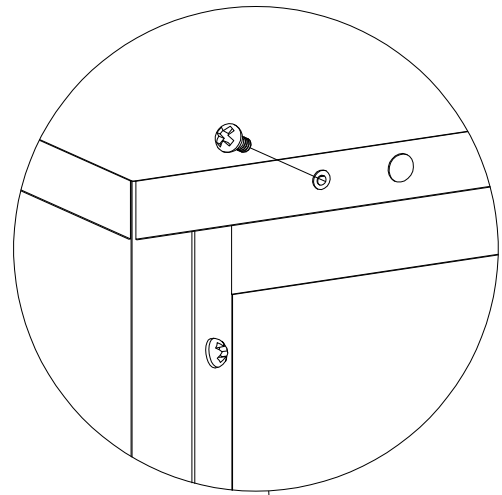
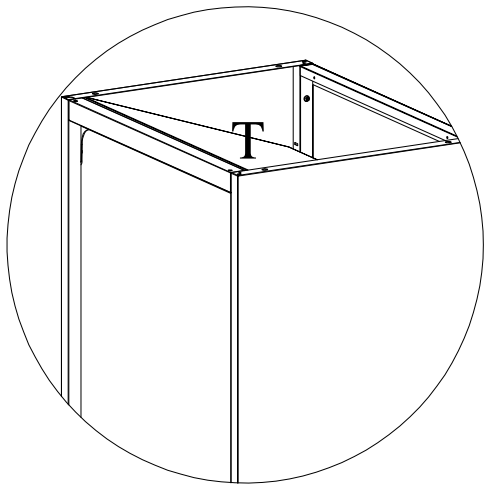


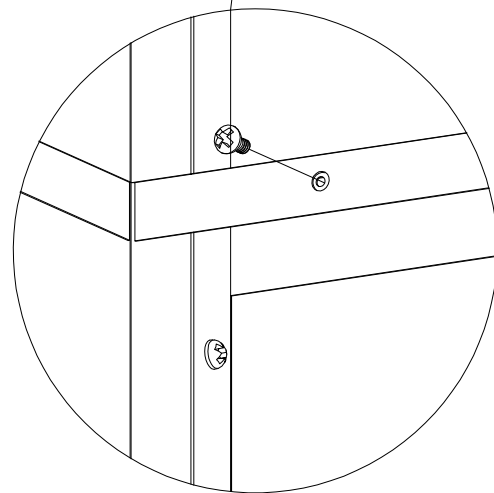
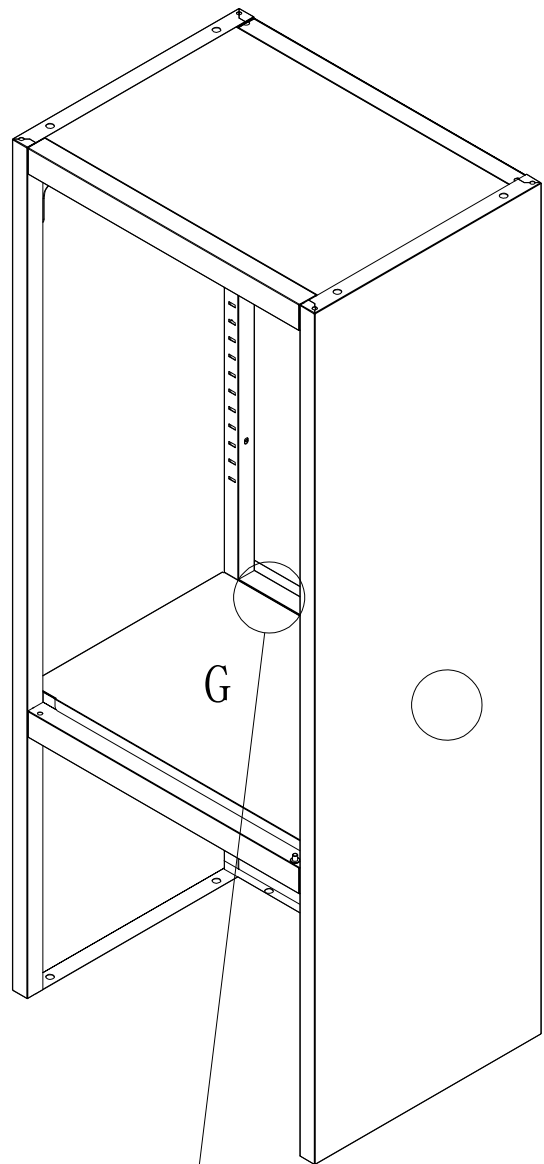
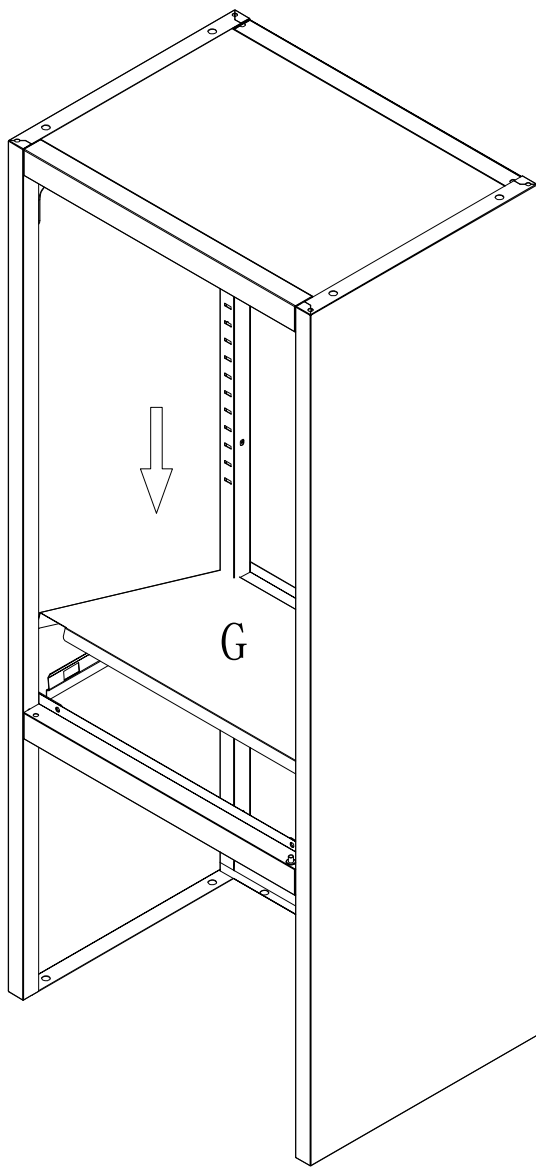
1

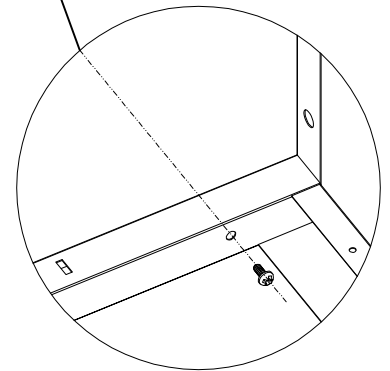
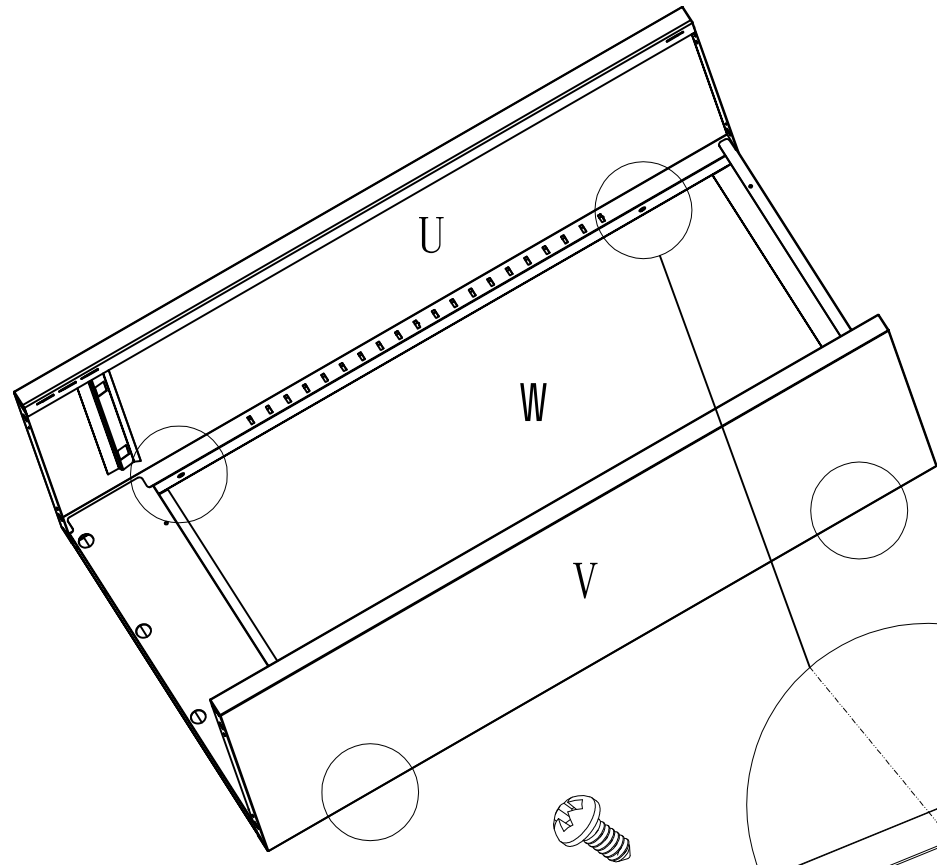
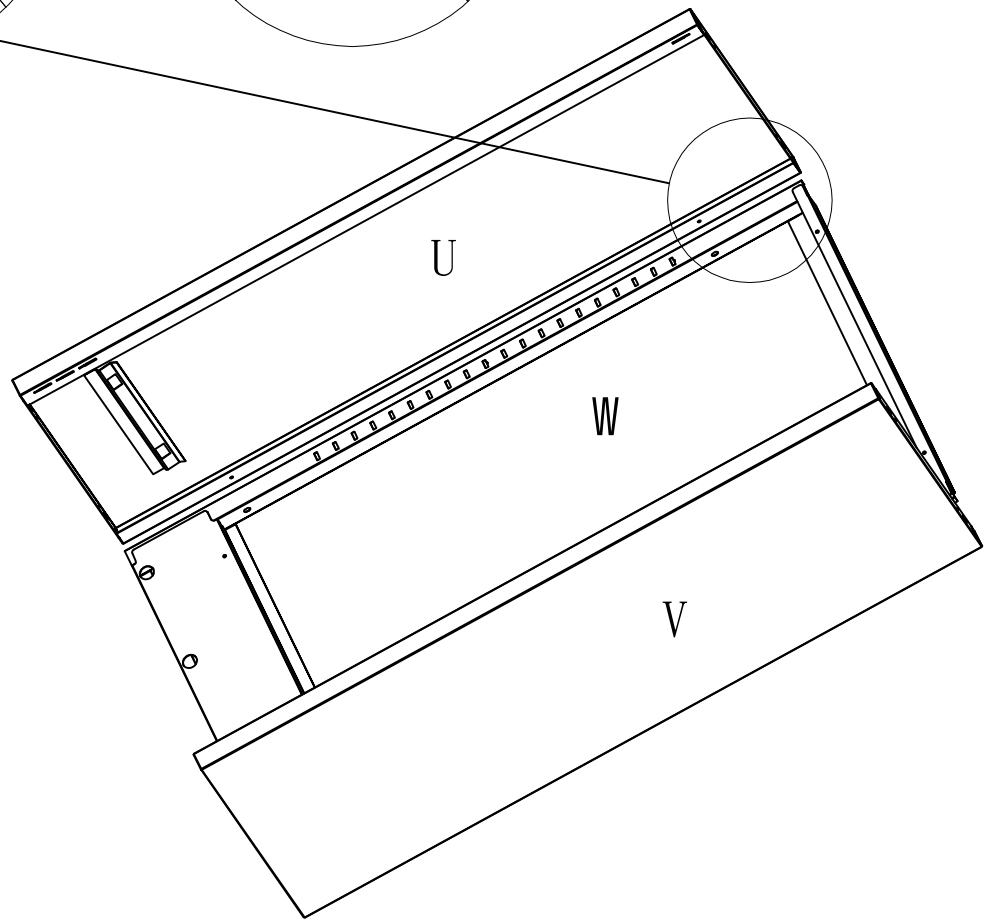
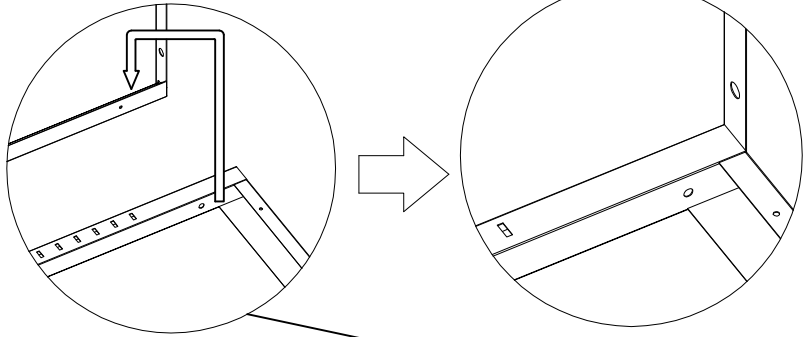
M*6



M*8

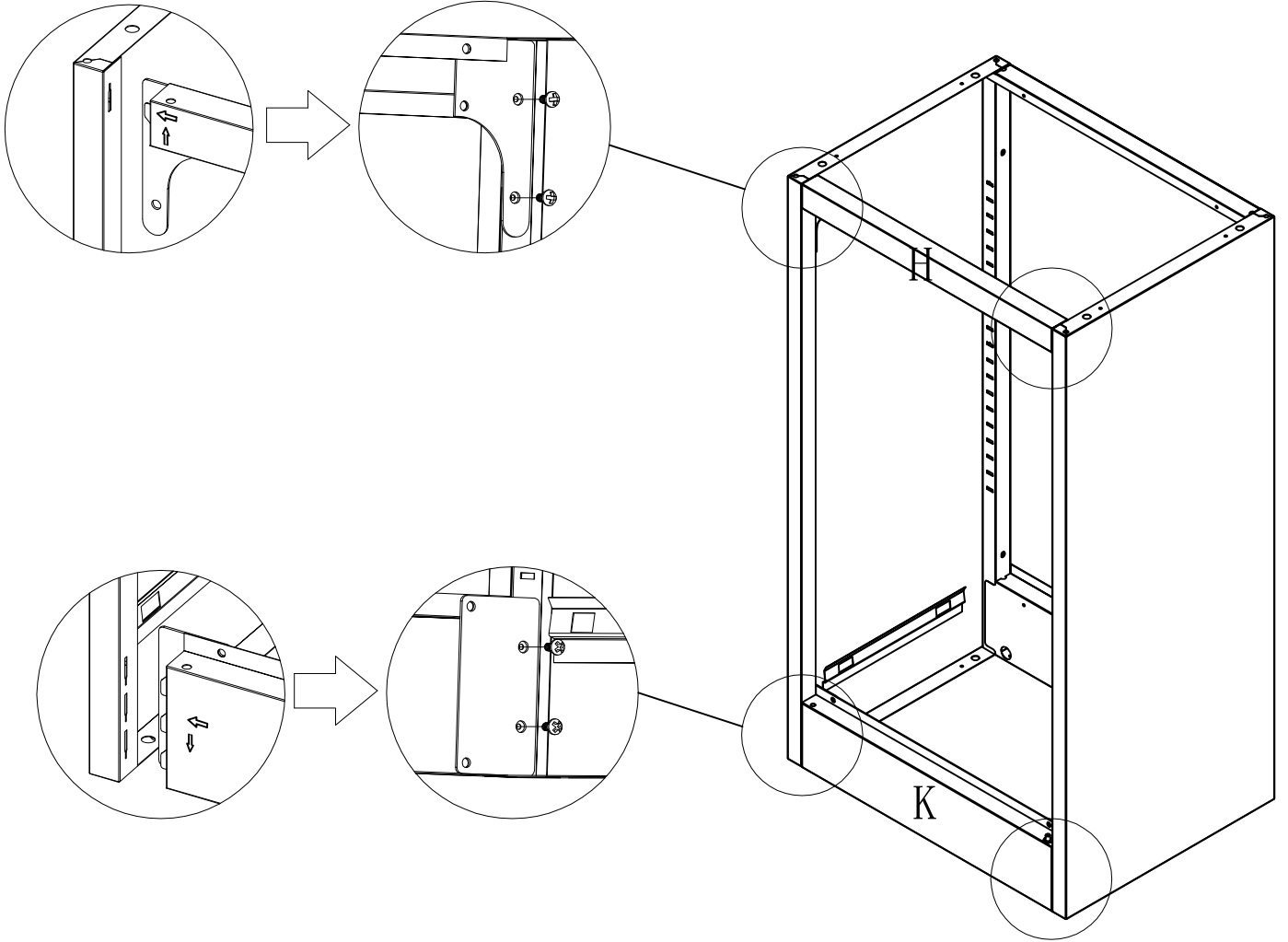




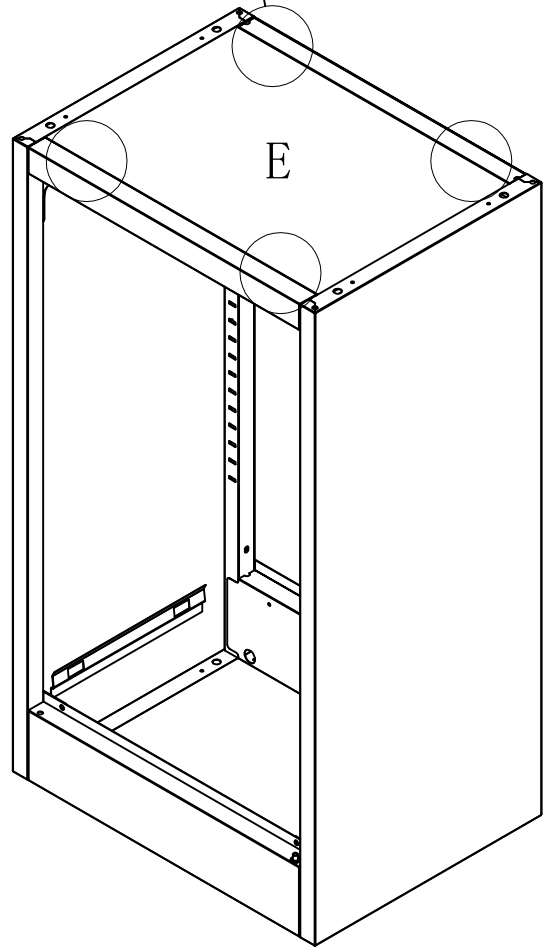
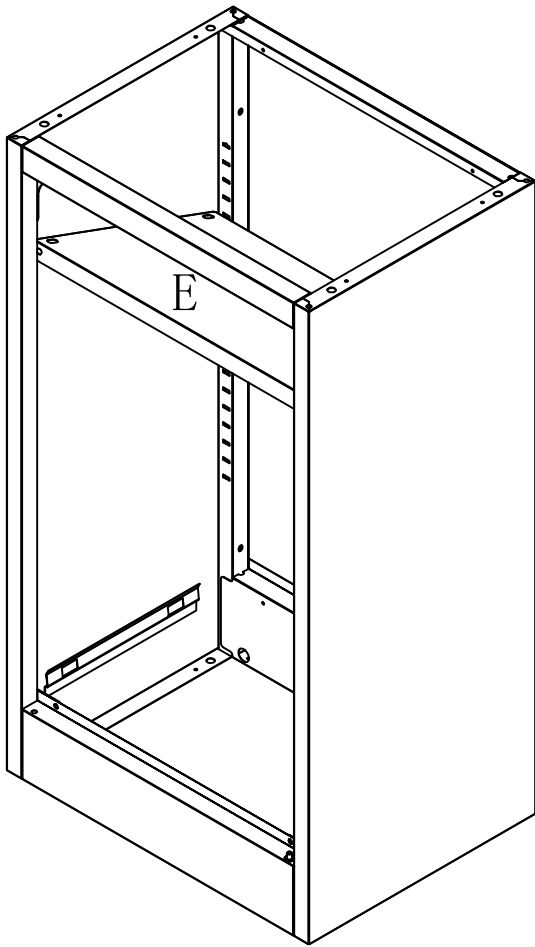
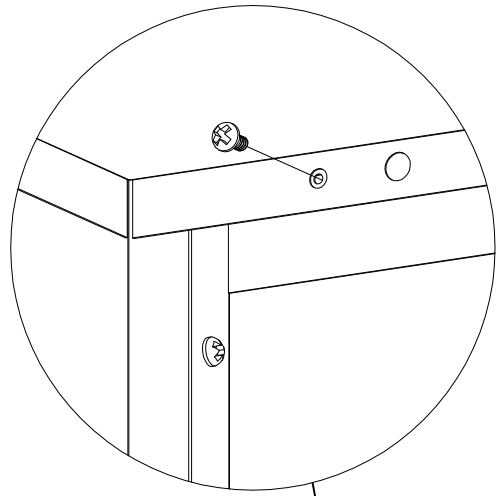
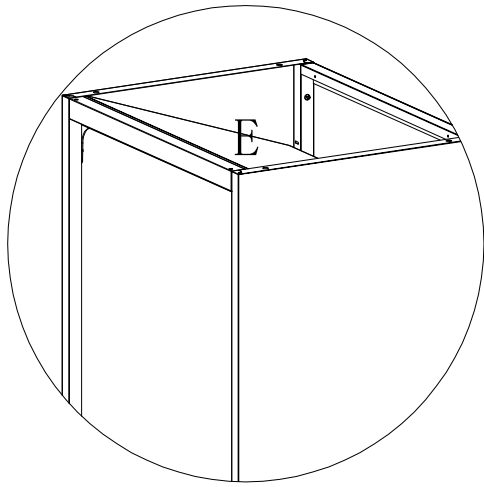


M*4

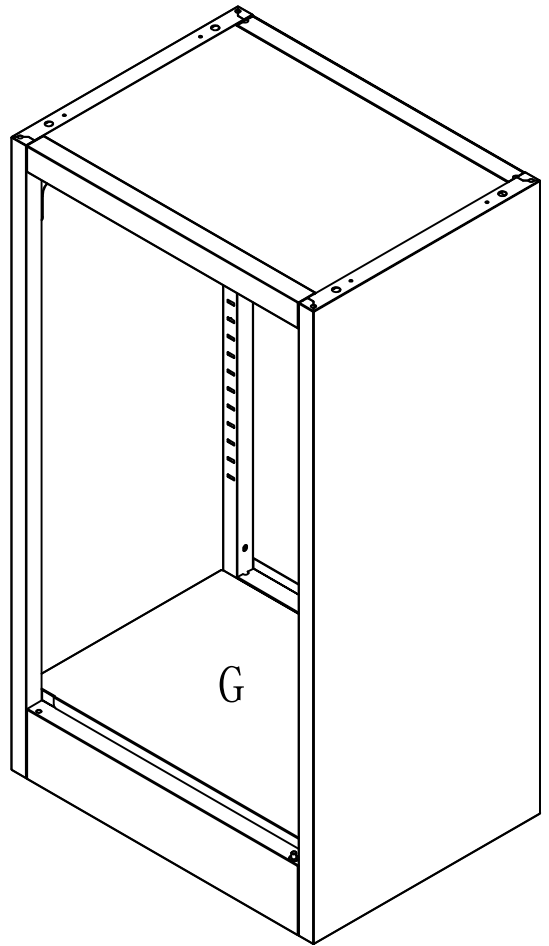
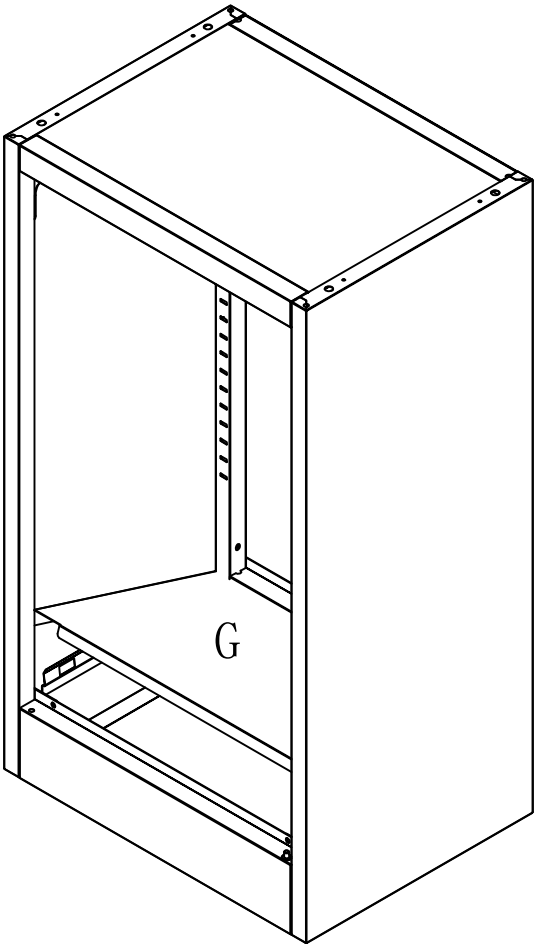
5

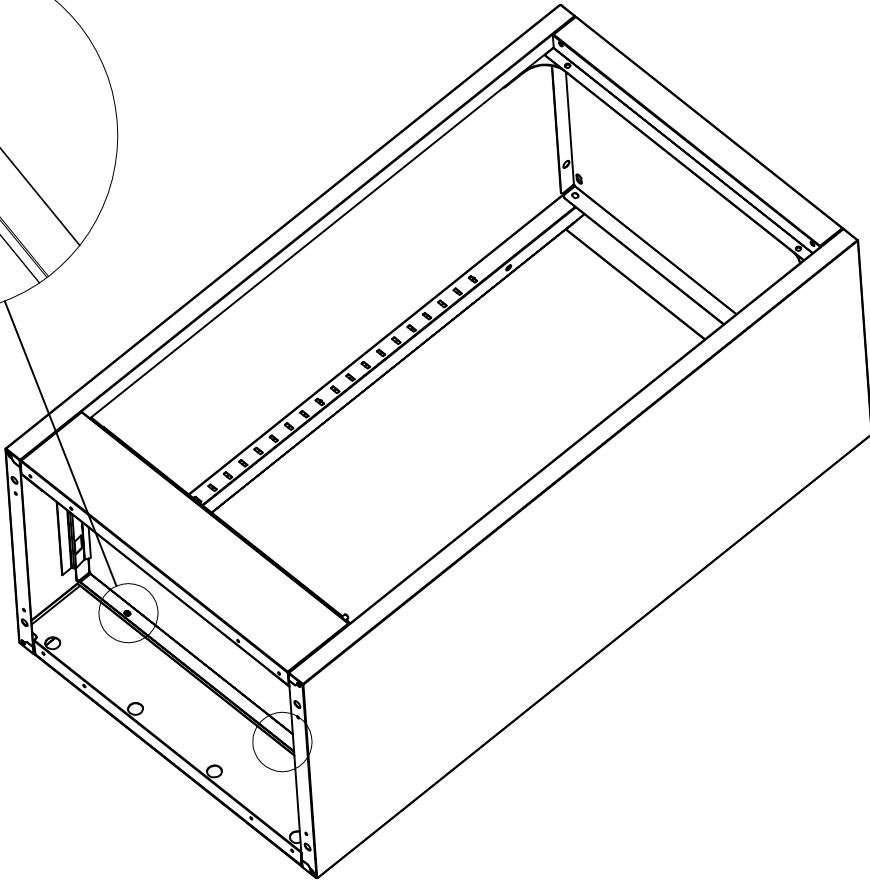
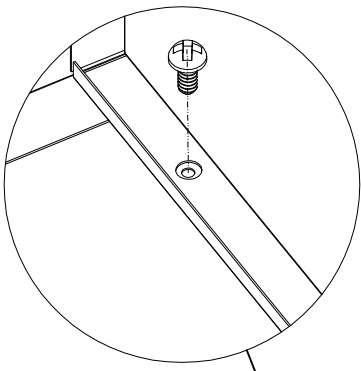


M*8

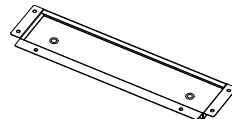
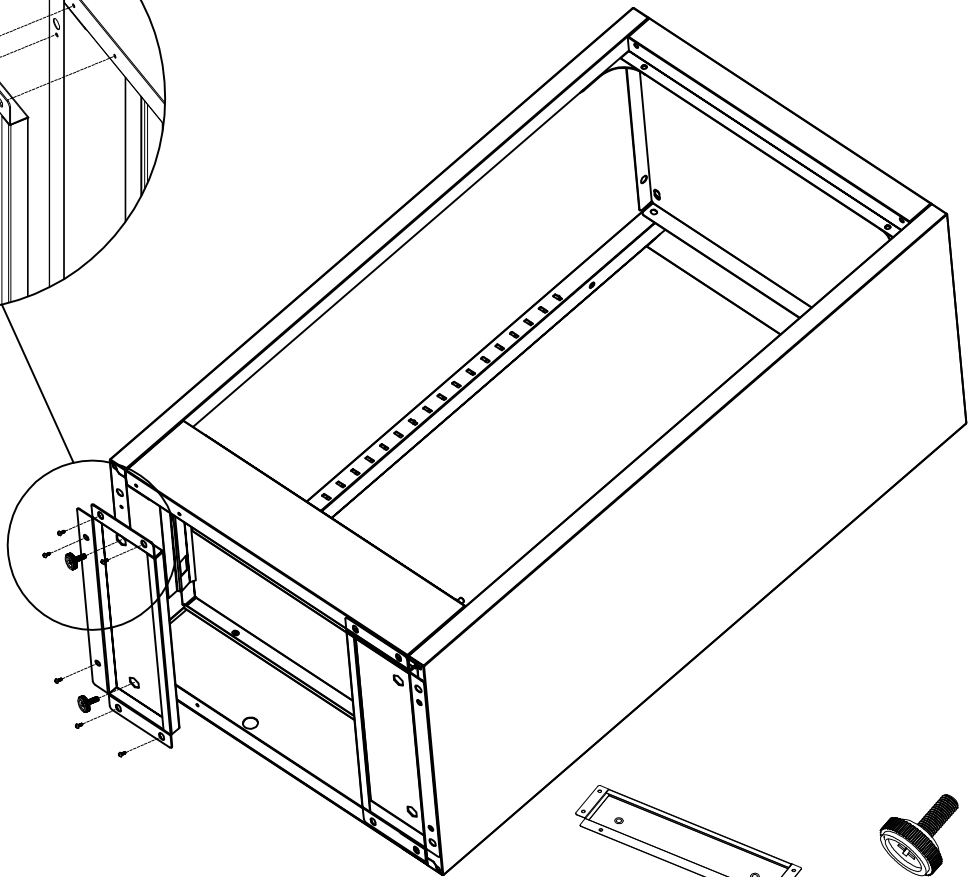
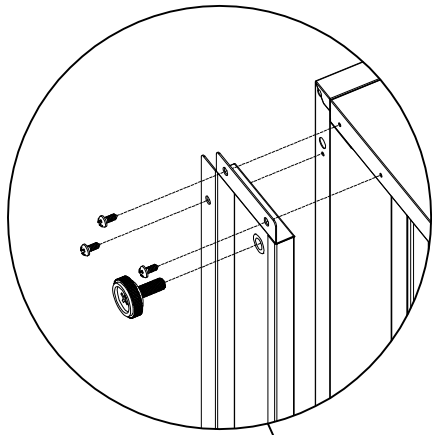


M*4





M*2

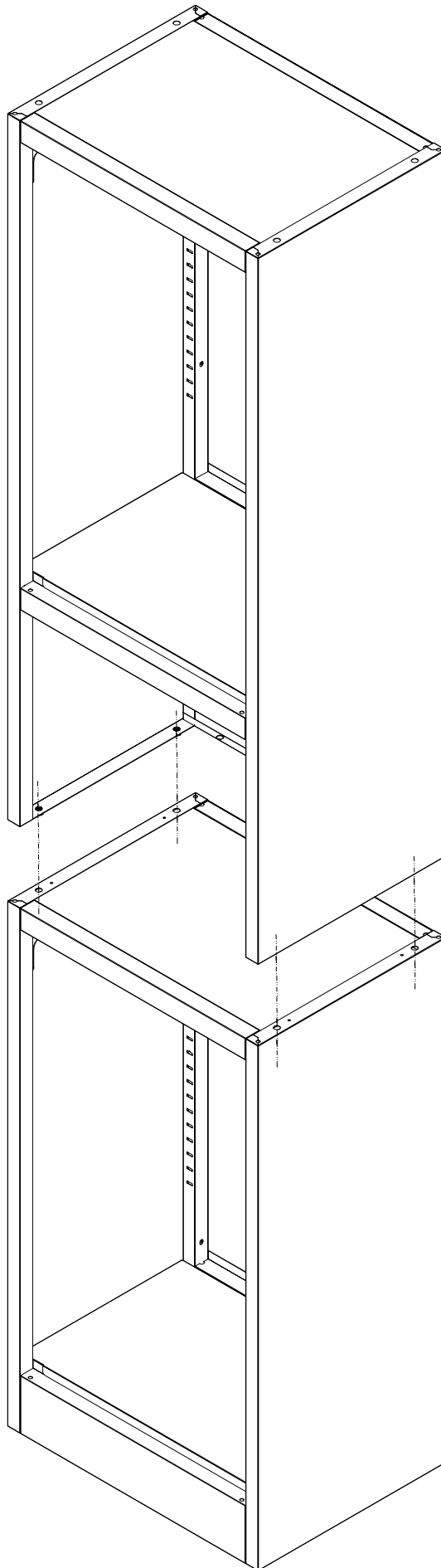


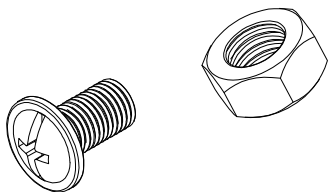
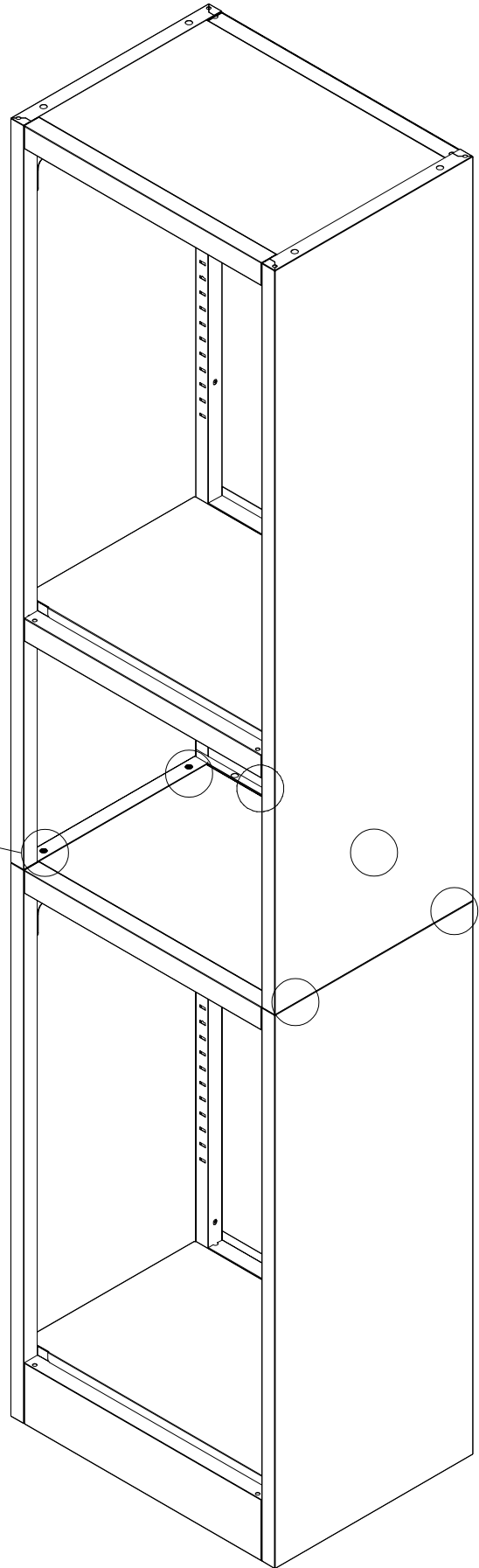
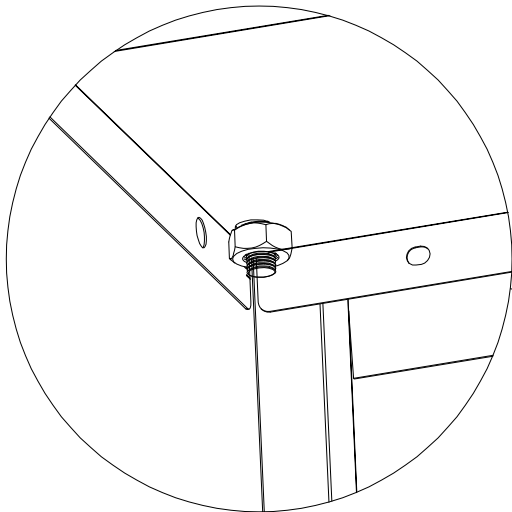
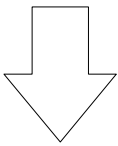
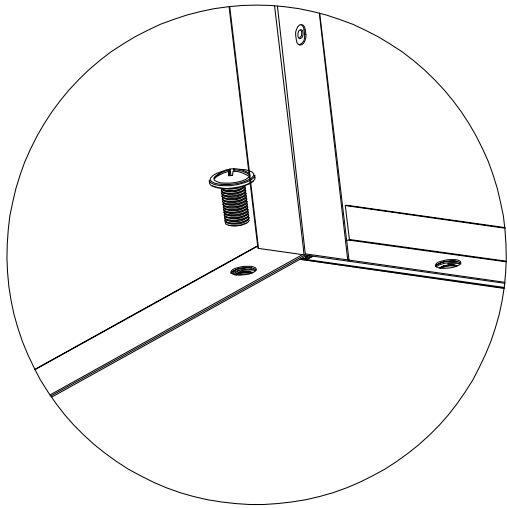
9

L*2

S*4

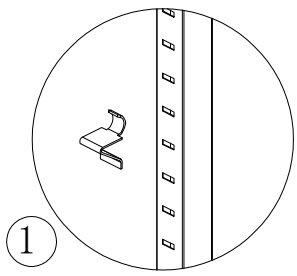
M*12



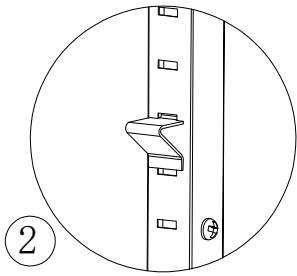


11

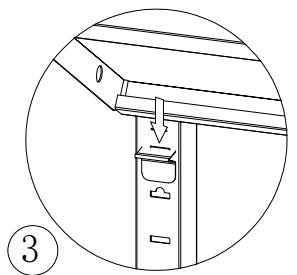
X*6



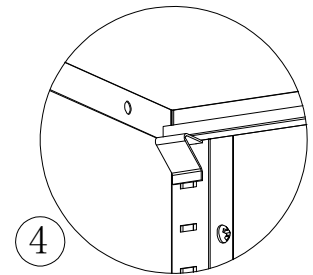
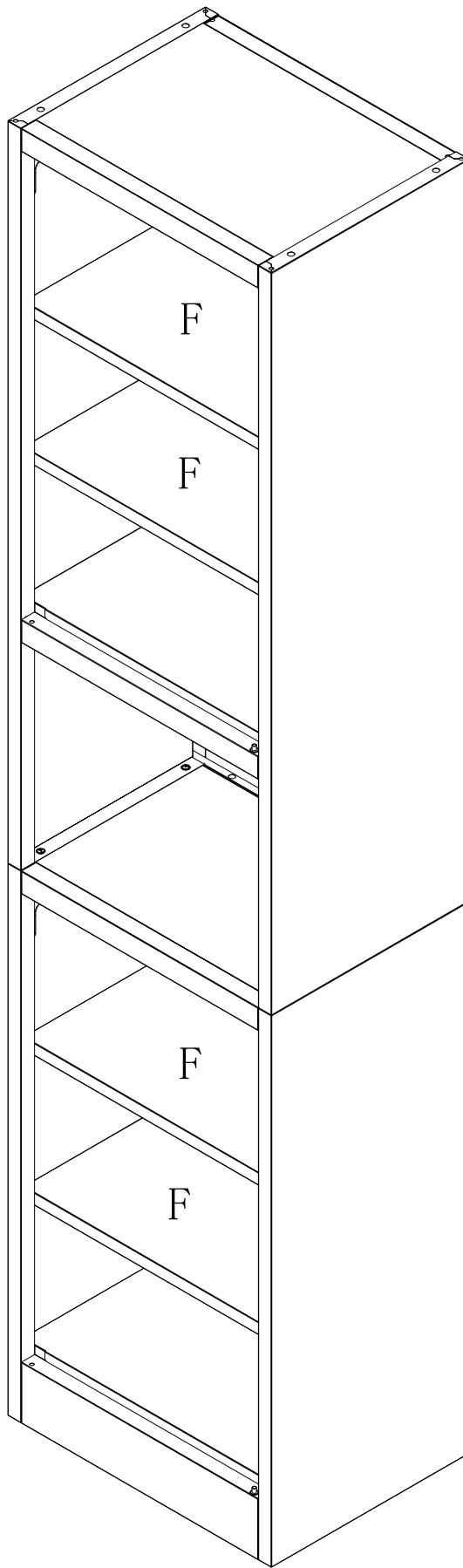
1



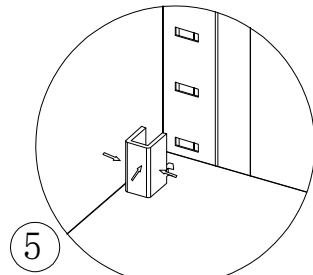
2



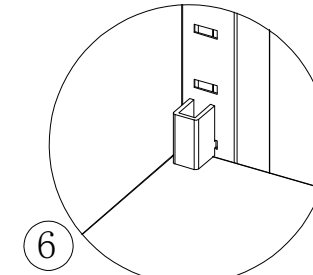
3



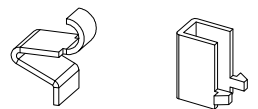
4

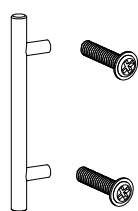
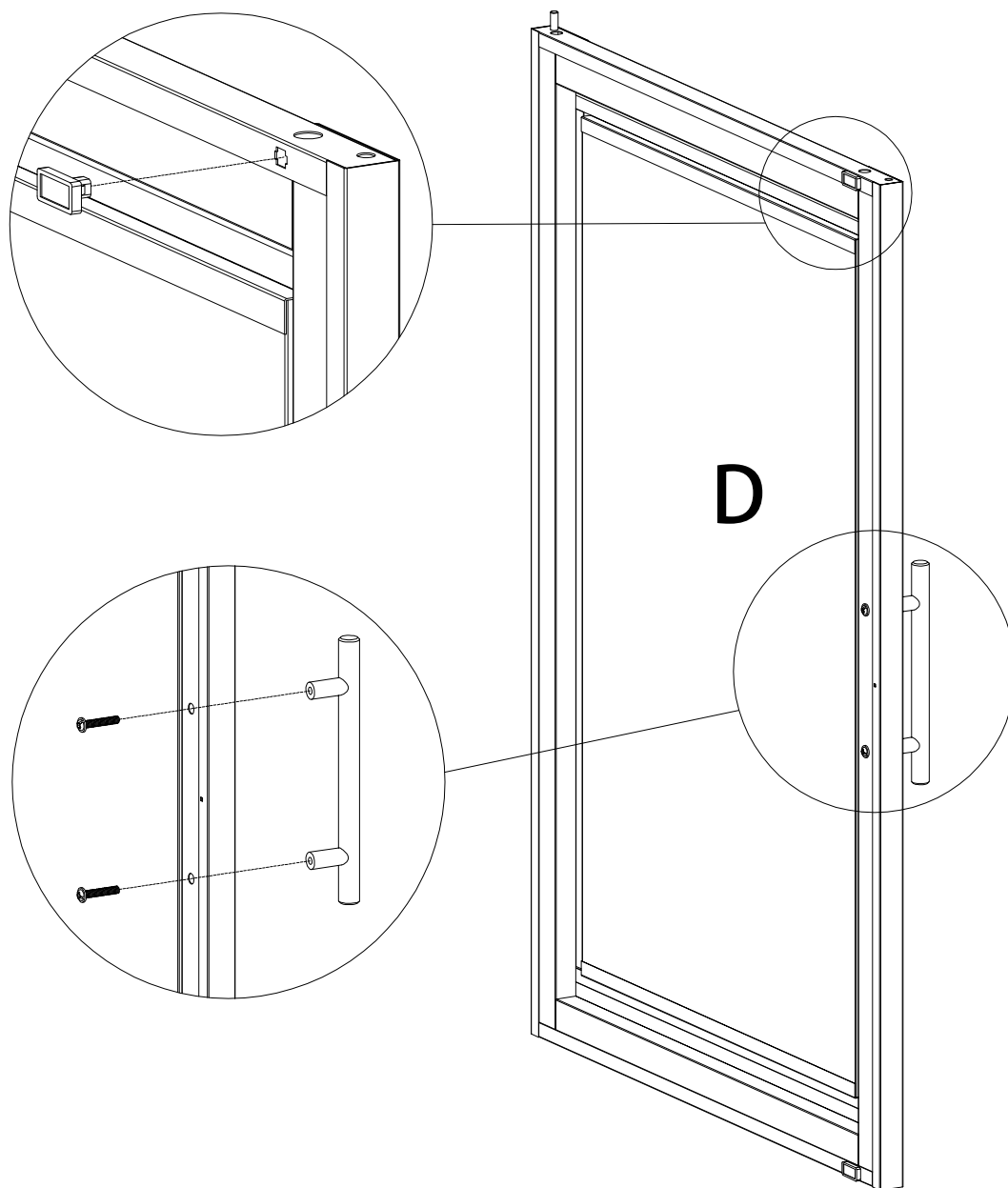


5



6

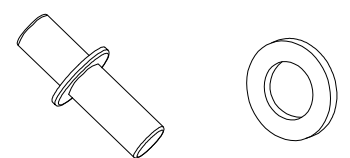
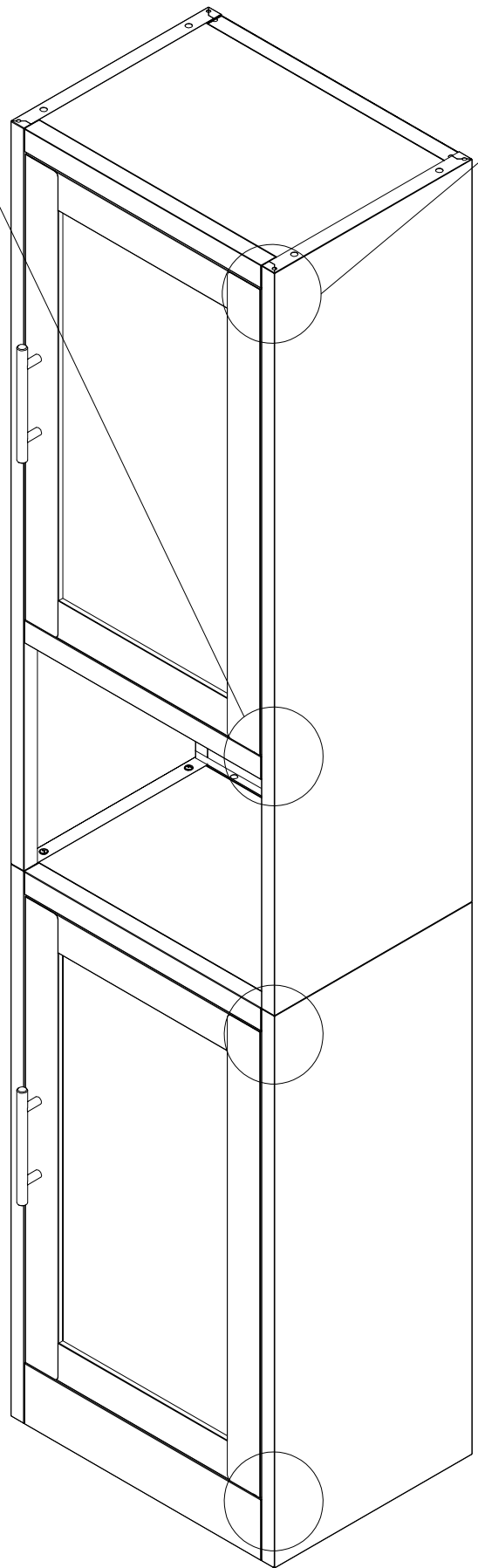
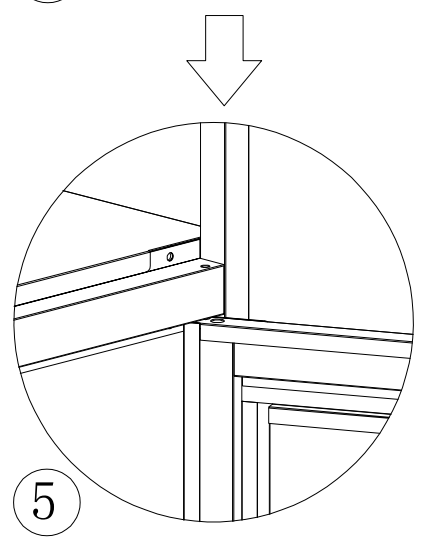
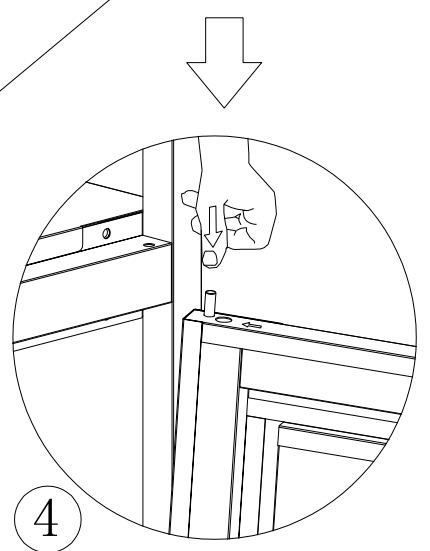
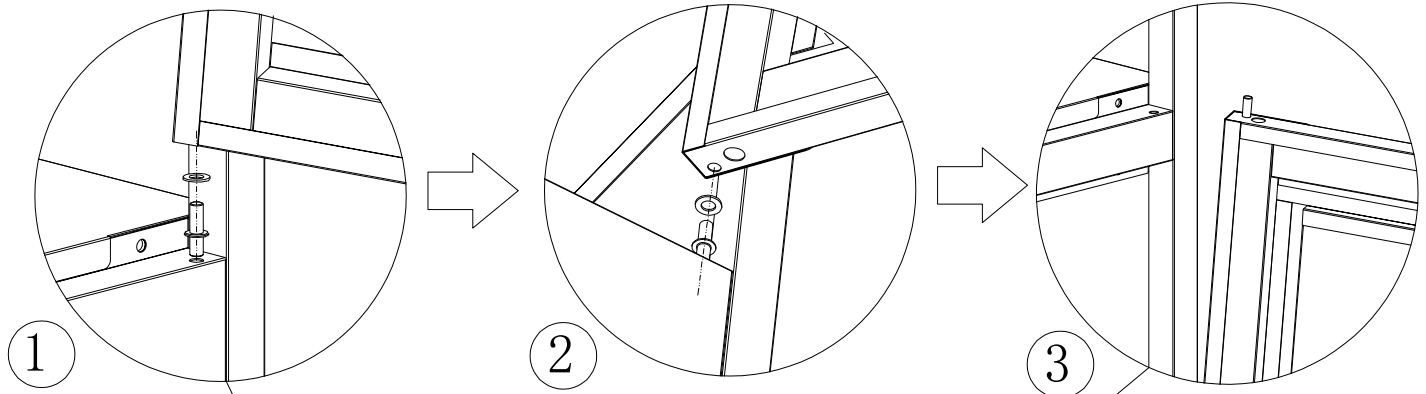




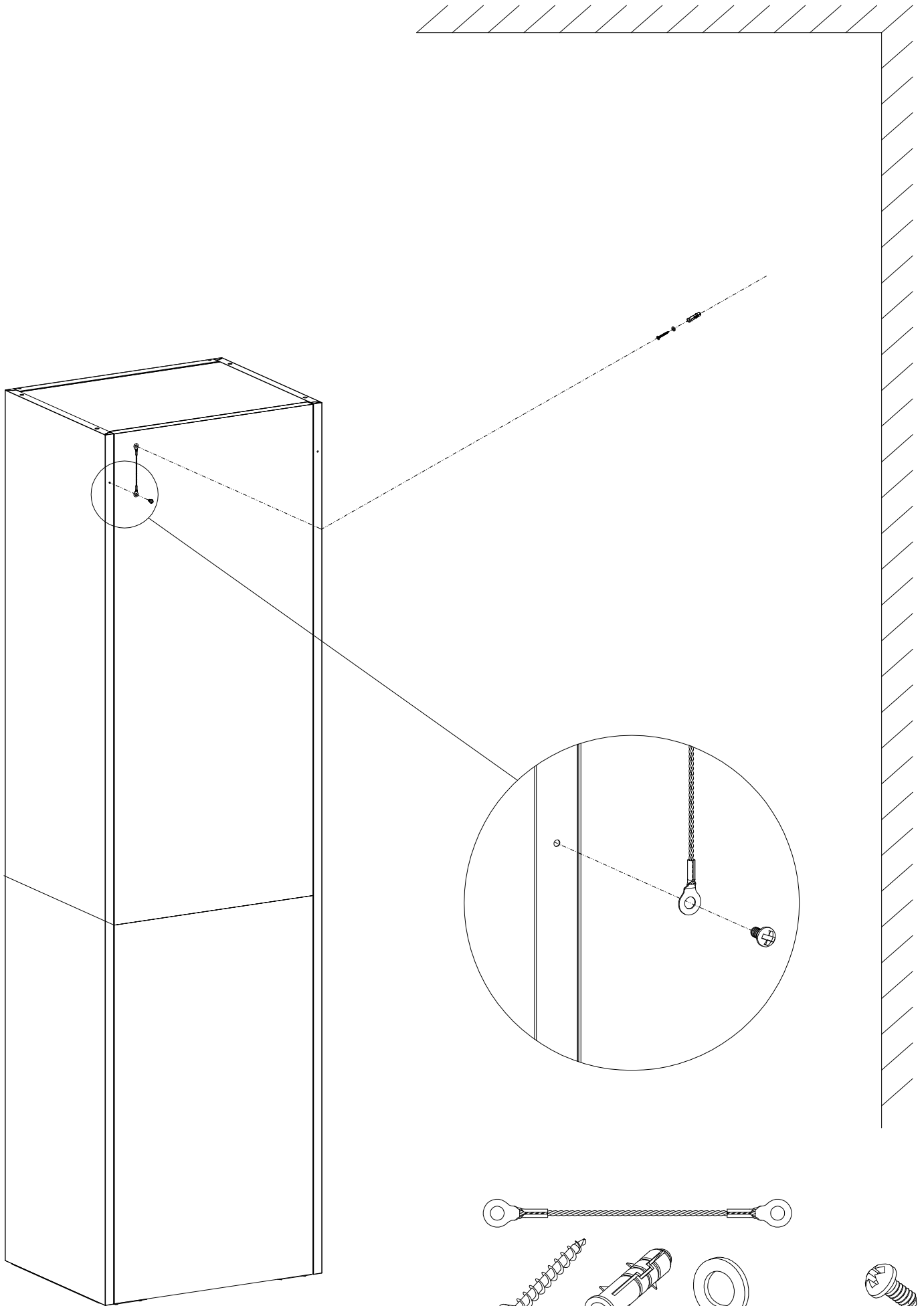
O*2



P*4



N*2



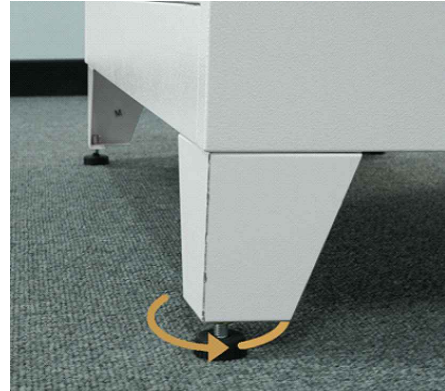
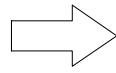
15

R*1

M*1

Problems and Solutions

Question 1: when encountering uneven height of two door panels, adjust the bottom adjustment foot to make it flat.



Question 2: When the door is closed, it still protrudes outward.
That's because the door is made of steel plate and has stretchability.
You can adjust it according to the method shown in the picture.

