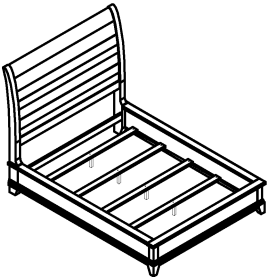
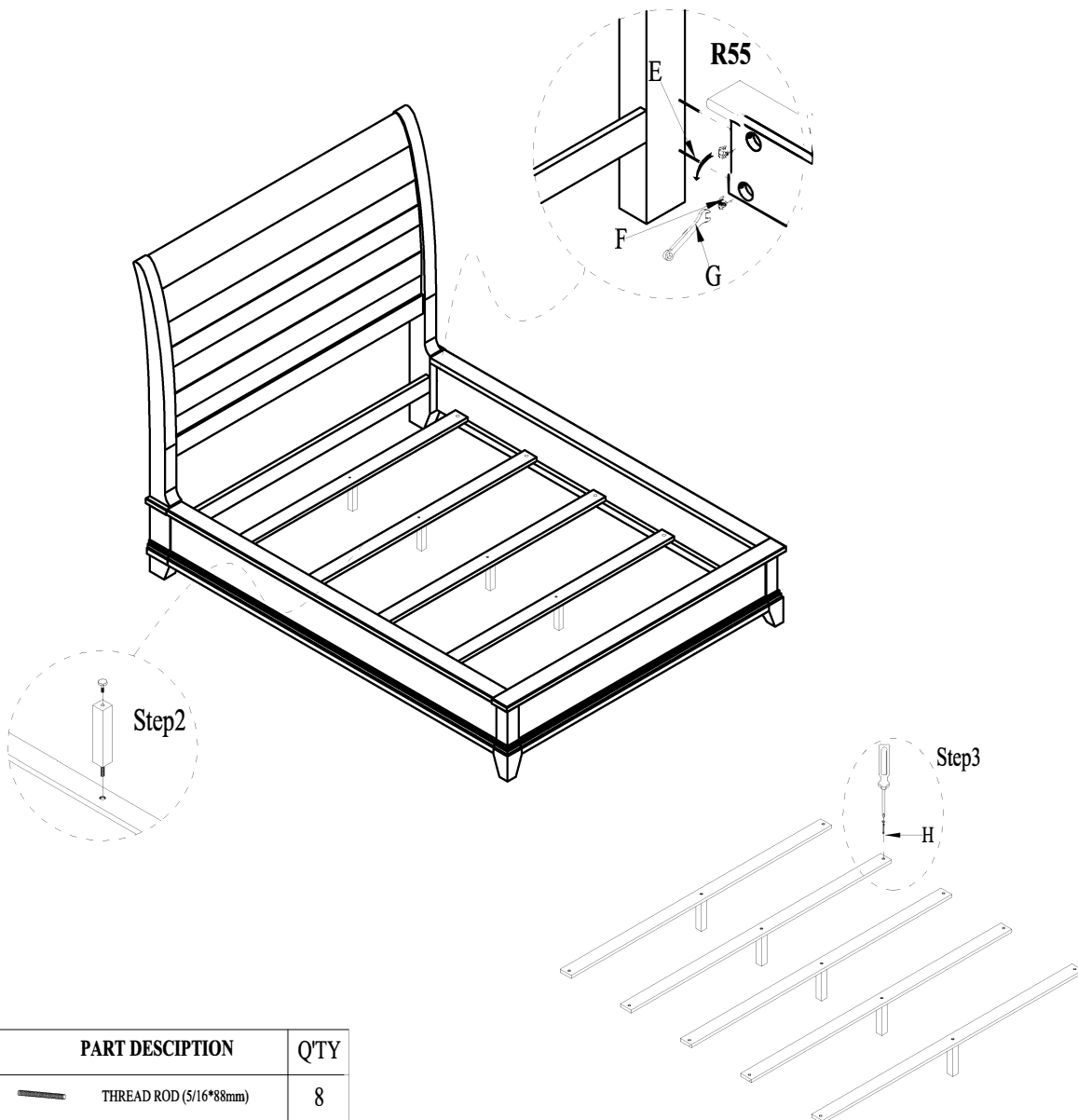


## ASSEMBLY INSTRUCTION



### IMPORTANT NOTES :

- . Place all wooden parts on a clean and smooth surface such as a rug or carpet to prevent the parts from being scratched.
- . Check to be sure that you have all parts and hardware.
- . Remove all wrapping materials, including staples and packing straps before you start to assemble.
- . Do not tighten all screws and bolts until completely assembled.
- . Keep all hardware out of the reach of children.



NO.	PART DESCRIPTION	Q'TY
E	 THREAD ROD (5/16*88mm)	8
F	 CURVED SLOTTED WASHER (5/16")	8
G	 WRENCH (12mm)	1
H	 SCREW (8*25mm)	10