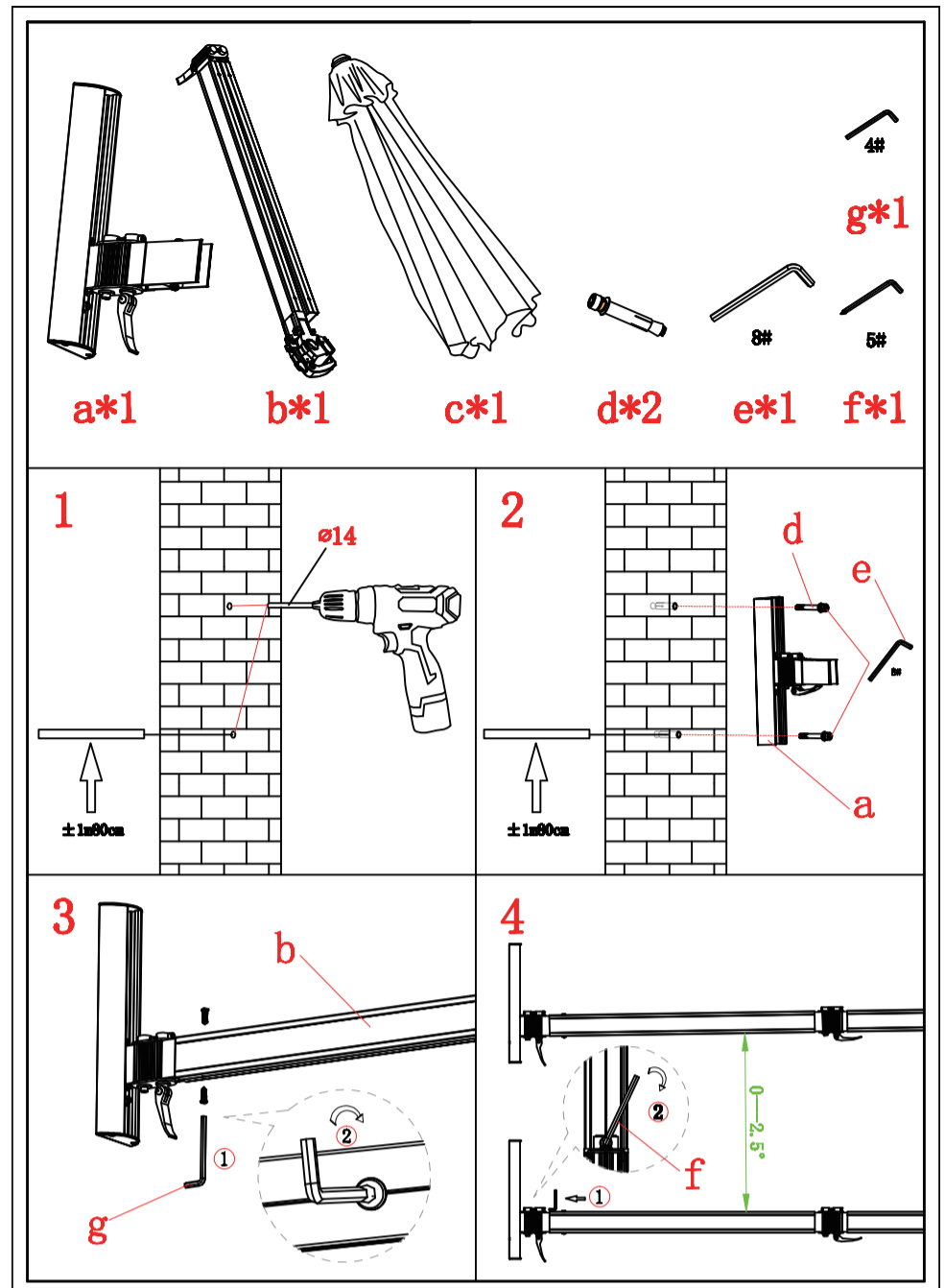


Before You Start

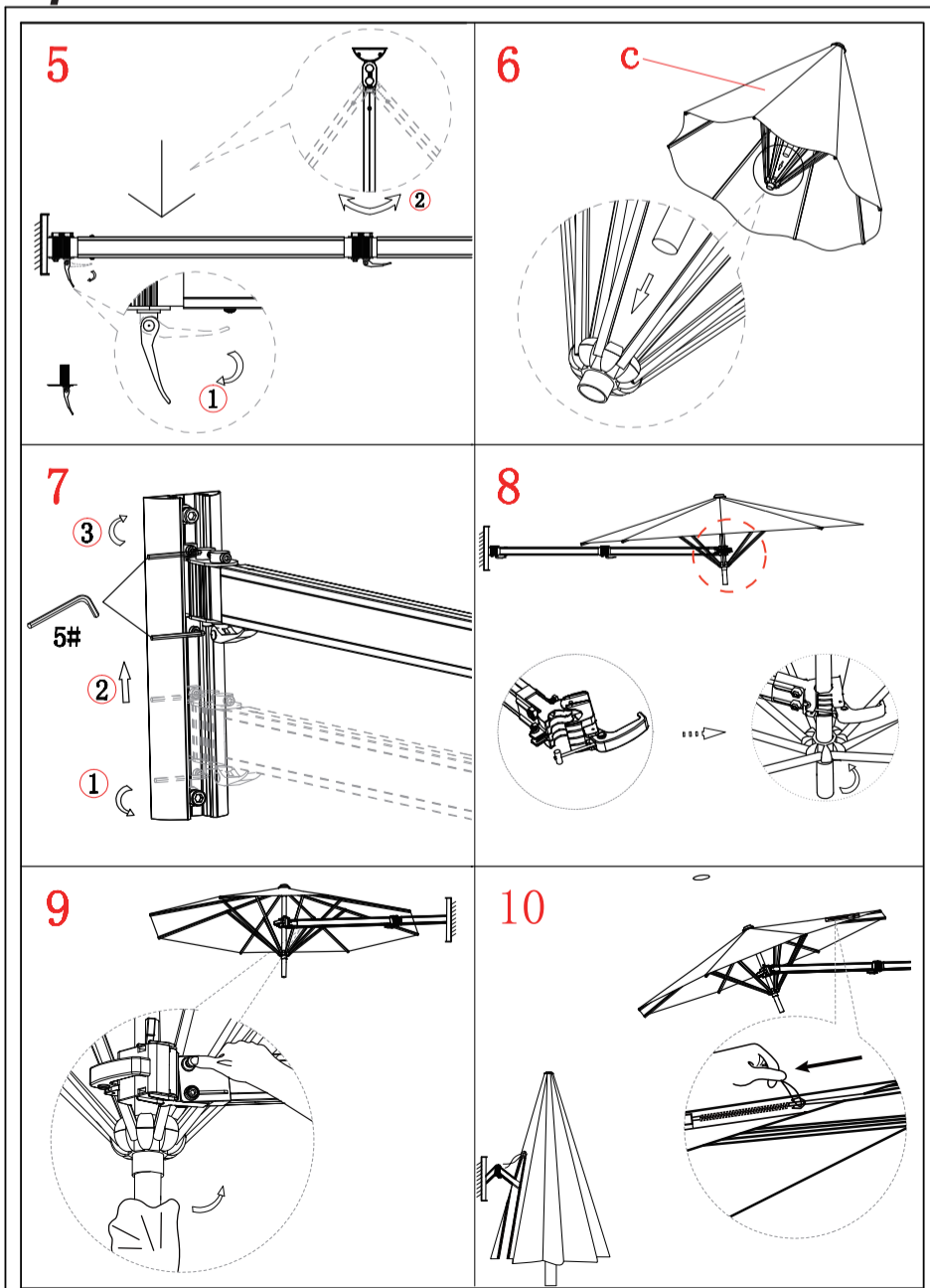
- ⊙ Please read all instructions carefully.
- ⊙ Retain instructions for future reference.
- ⊙ Separate and count all parts and hardware.
- ⊙ Read through each step carefully and follow the proper order.
- ⊙ We recommend that, where possible, all items are assembled near to the area in which they will be placed in use, to avoid moving the product unnecessarily once assembled.
- ⊙ Always place the product on a flat, steady and stable surface.
- ⊙ Keep all small parts and packaging materials for this product away from babies and children as they potentially pose a serious choking hazard.

2



3

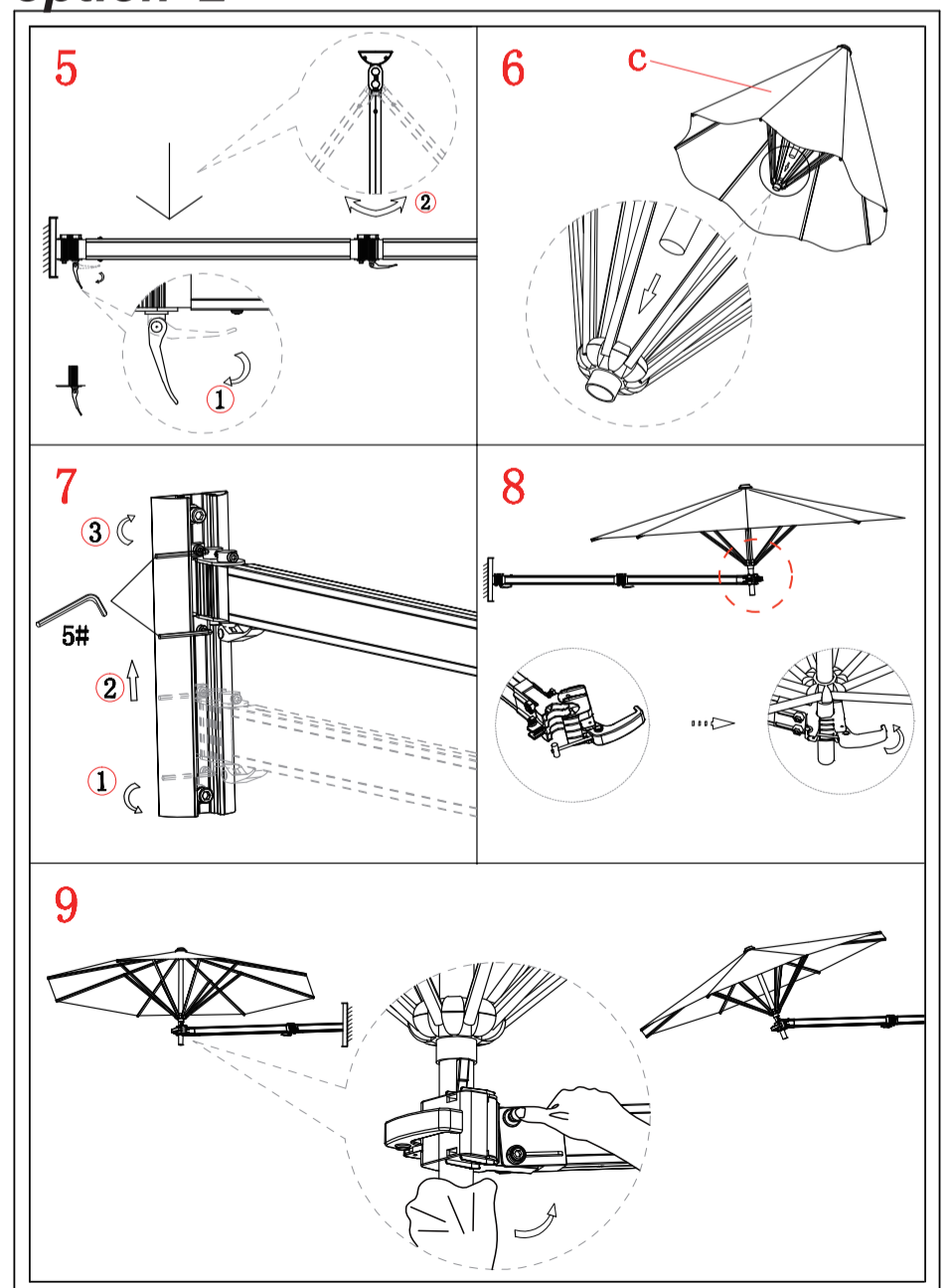
option 1



4

· Folds easily when not in use · Easy to unfold for next use

option 2



5

· Looks better · Umbrella position is higher
· Easy to disassemble and bring the umbrella indoors