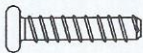
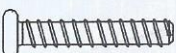
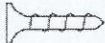



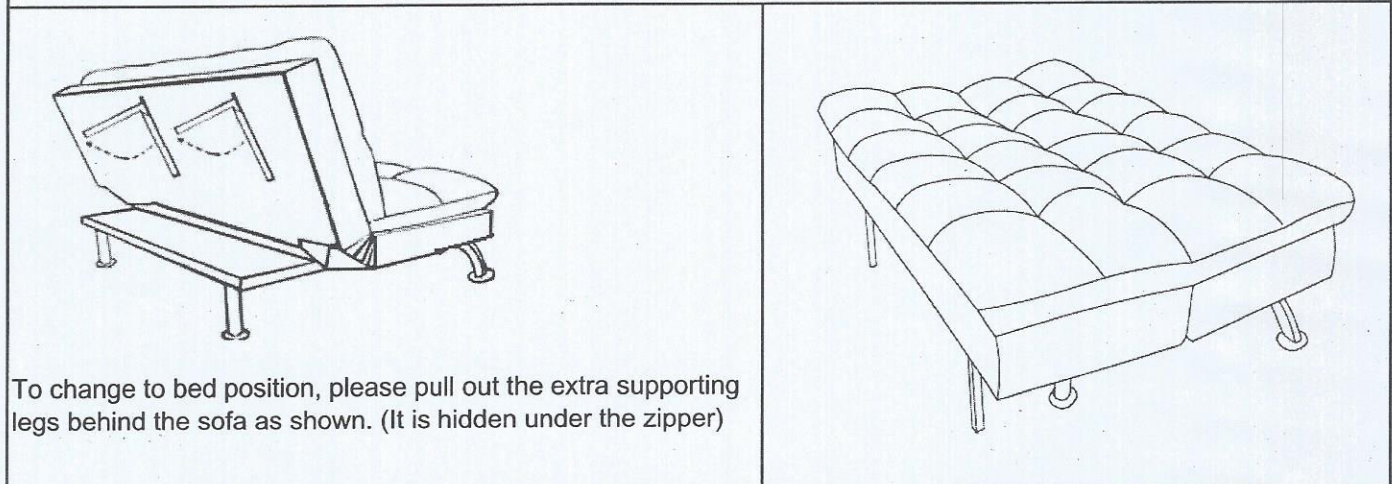
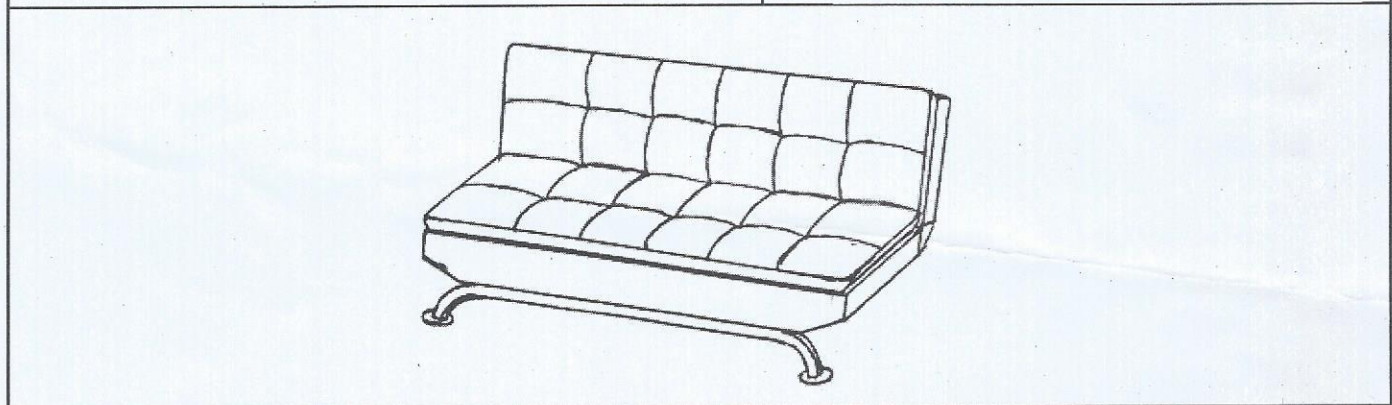
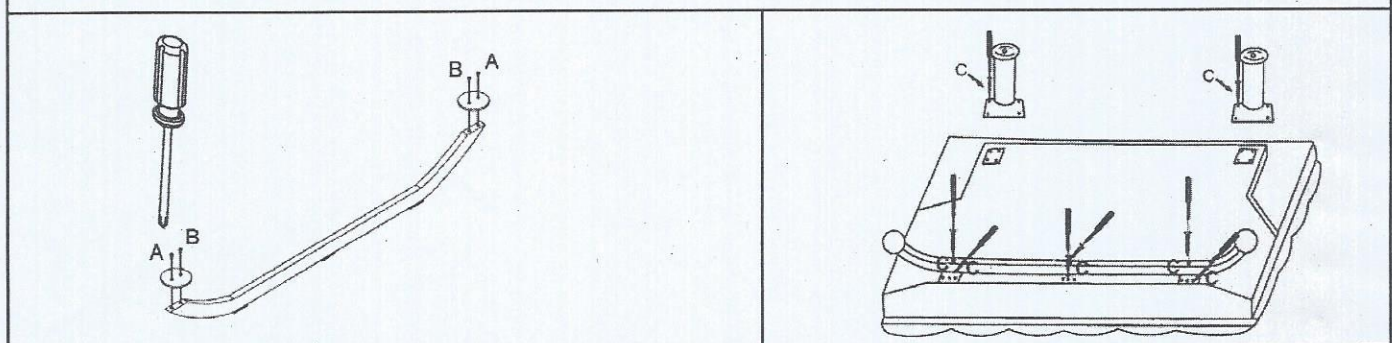


ASSEMBLY INSTRUCTIONS

NO	QTY	DRAWING	NO	QTY	DRAWING
A	2		B	2	
C	26		D	2	
E	1		F	2	

Tools required: #2 Phillips head screw driver (not included)

Please find the 2 legs inside of the zippered pouch on the bottom of the sofa bed.



To change to bed position, please pull out the extra supporting legs behind the sofa as shown. (It is hidden under the zipper)

To release the supporting legs, please locate a release button on the top of the legs, press the button and fold the legs.

The legs are hidden inside the pouch in the back panel