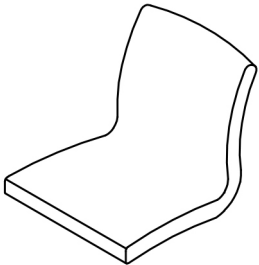
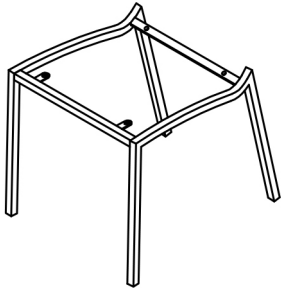


PLEASE NOTE: Check that you have received all components and hardware before assembling.

Assembly Instructions Side Chair



A (1 pc)



B (1 pc)



C (2 pcs)
M6 x 25mm



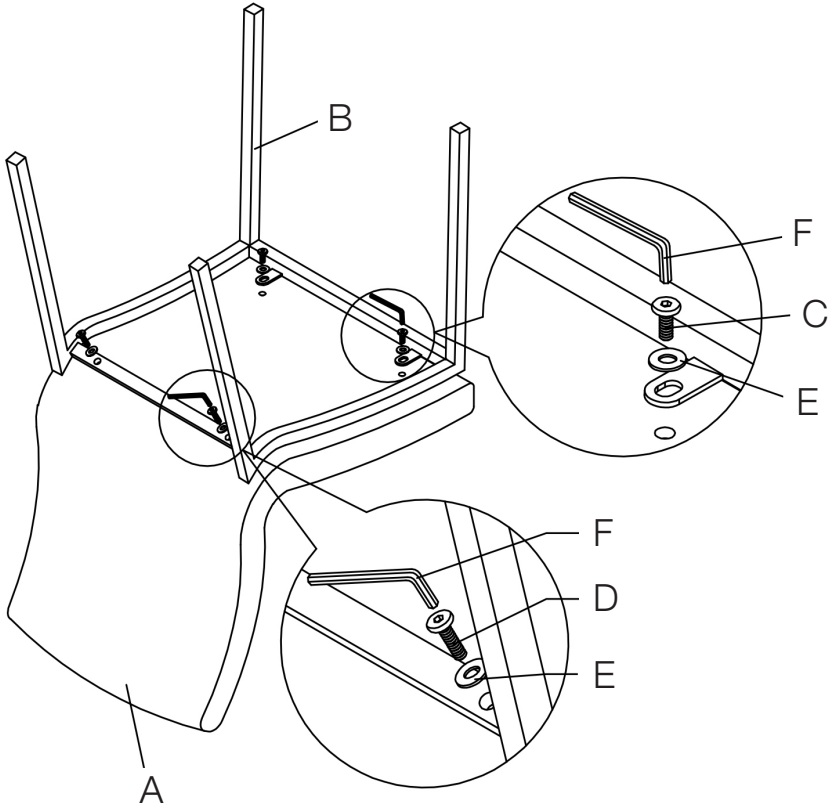
D (2 pcs)
M6 x 16mm



E (4 pcs)



F (1 pc)
4mm



During assembly, hand tighten screws only. When the screws are in place, tighten completely.