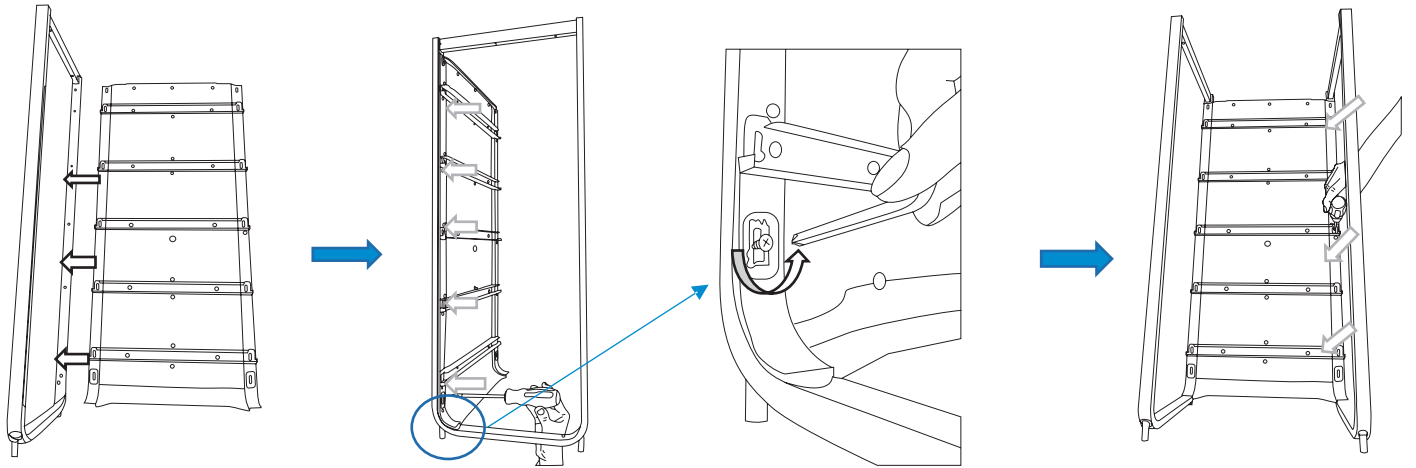
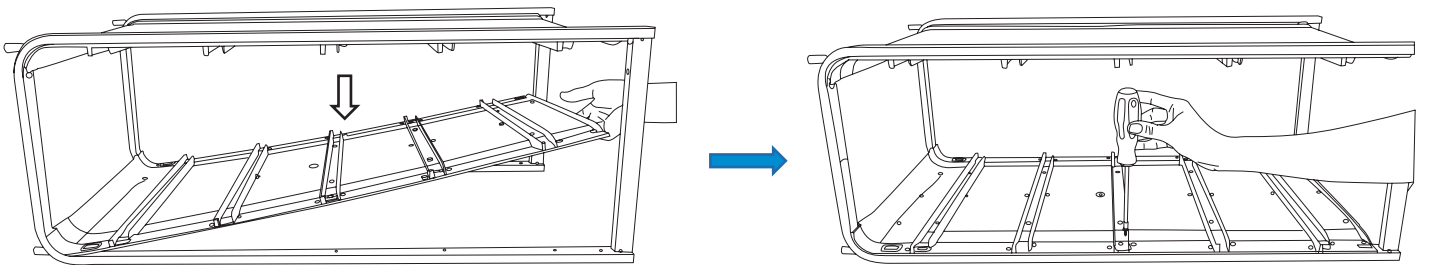


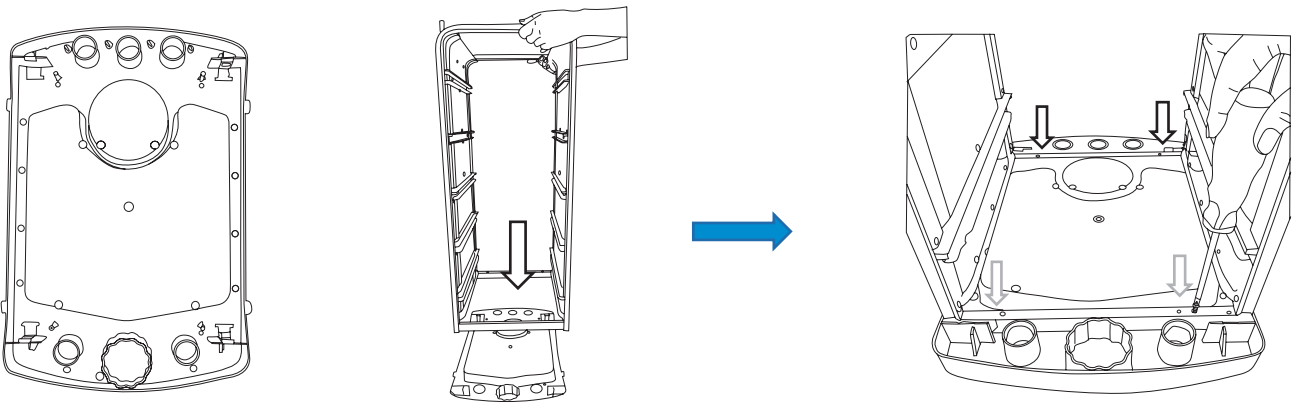
ASSEMBLY INSTRUCTION



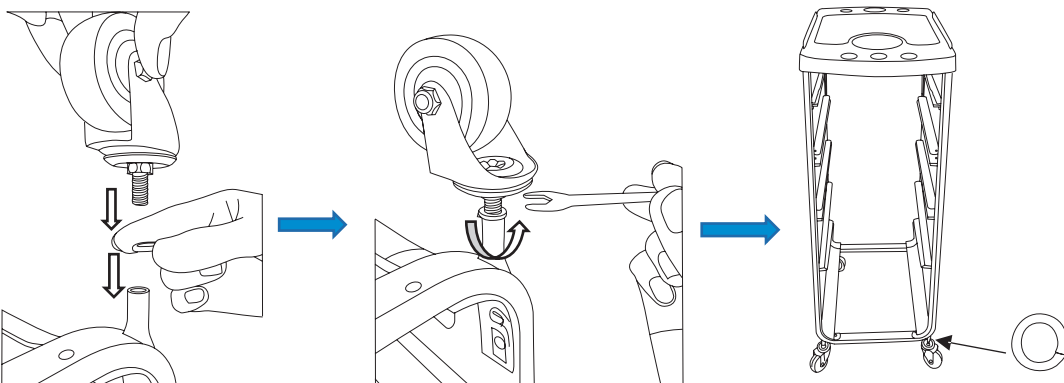
STEP 1: Place one plastic side board and frame on the ground, and connect them with short screws.



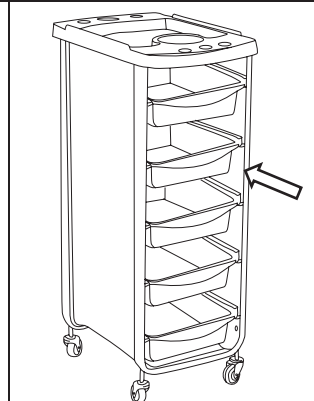
STEP 2: Connect another side board and frame with short screws.



STEP 3: Put the top tray face down and insert the frame into the tray, then fix four long screws.



STEP 4: Add a ring before install a wheel. (Pls add one more ring to the shorter foot if trolley is not balanced.)



STEP 5: Insert five drawers, then finish.