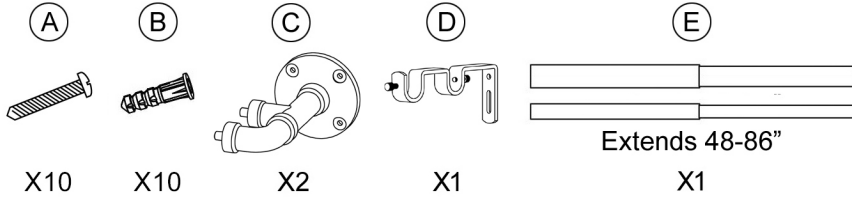


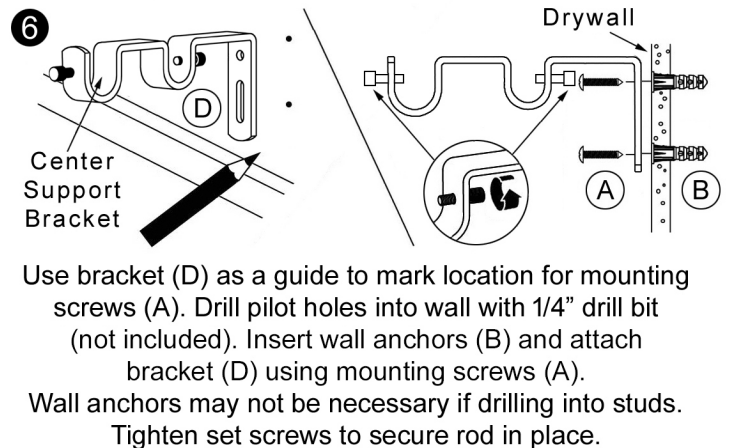
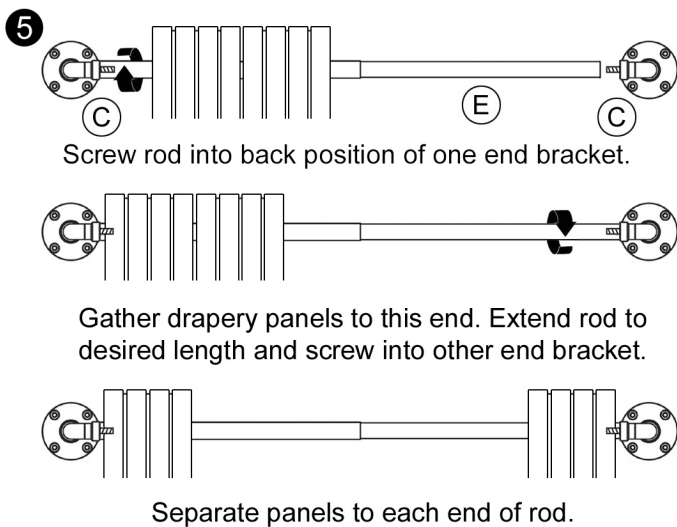
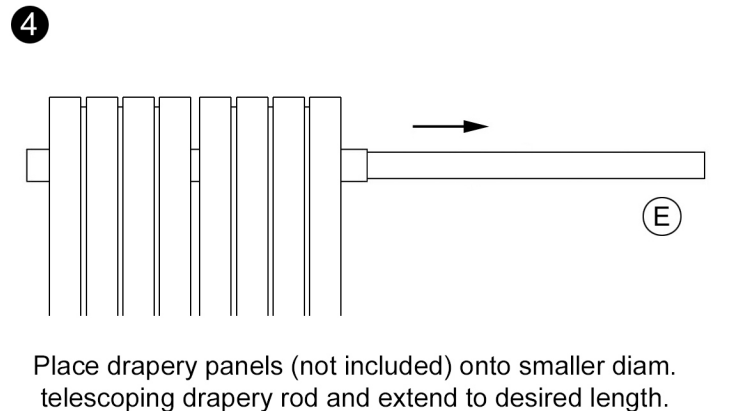
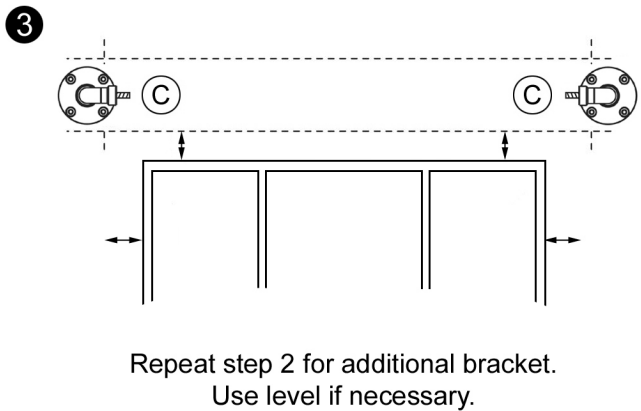
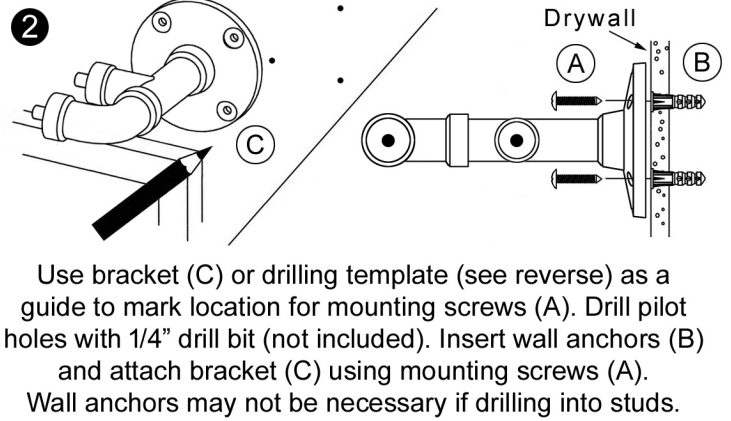
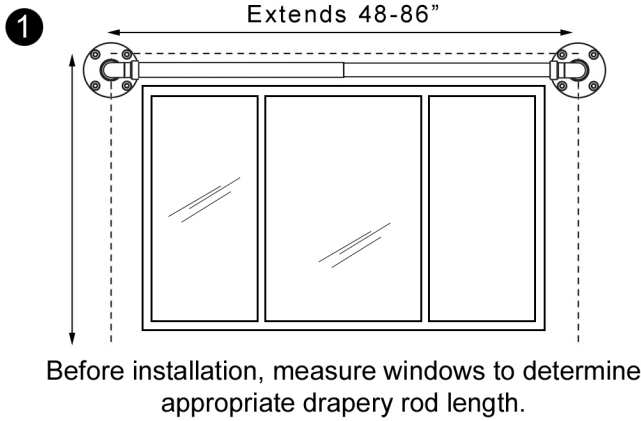
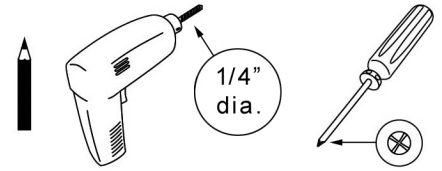
# 5/8" DRAPERY ROD INSTALLATION INSTRUCTIONS - 48-86" DOUBLE ROD SET

Care Instructions: Clean with a soft cloth. Do not use abrasive cleaning agents, solvents or polishes.

## SET INCLUDES:



## YOU WILL NEED:



Repeat steps 4-5 for front drapery rod.