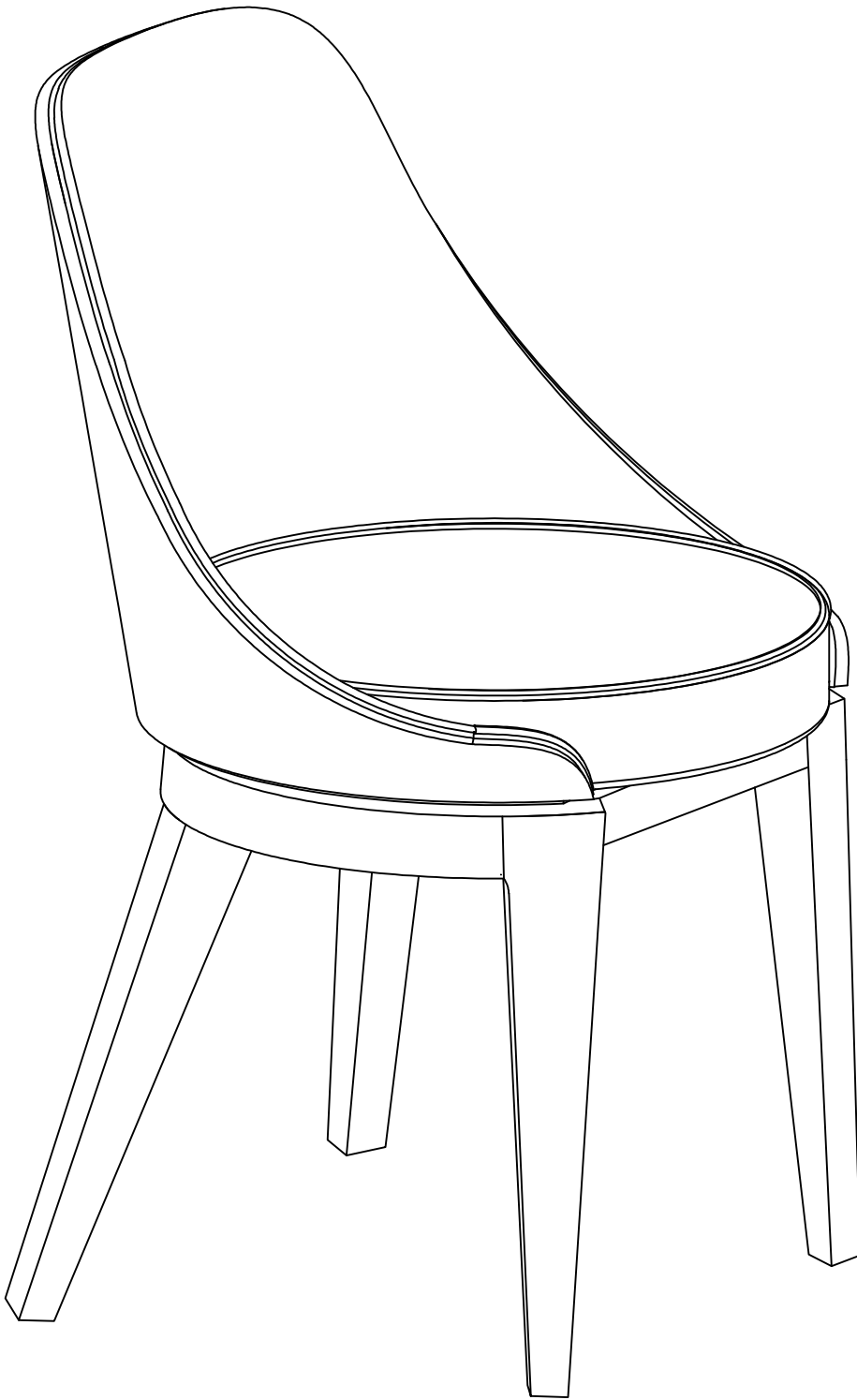


**CHAIR**  
ASSEMBLY INSTRUCTIONS





**PLEASE READ ME FIRST**



- Have questions about assembling your item?



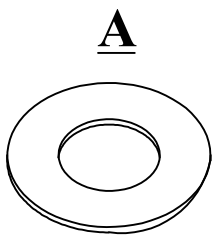
- Item or parts damaged?



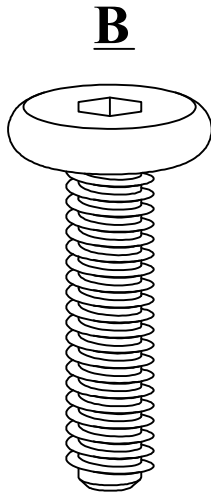
- Missing a part?



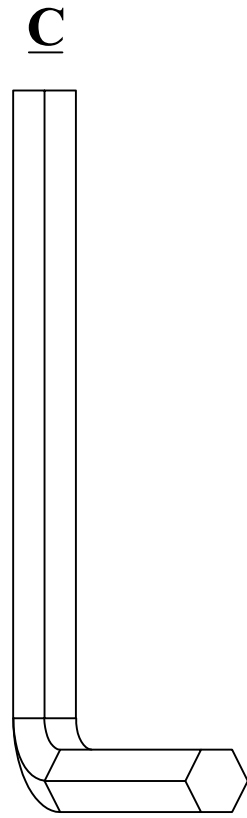
- We're here to help!



M6x16: 4PCS

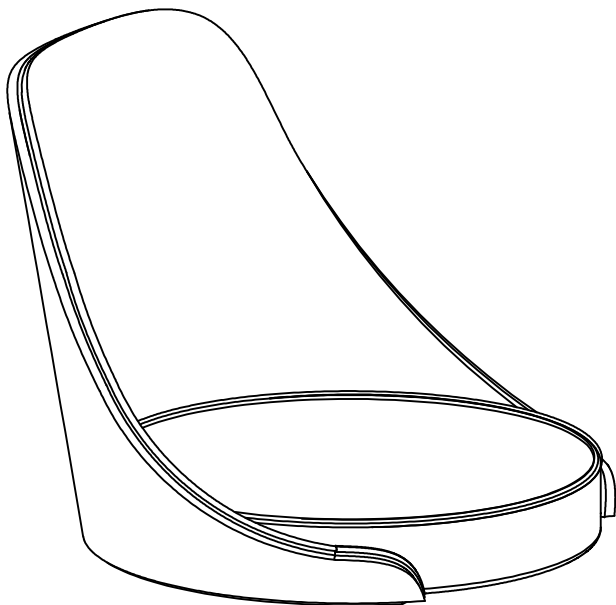


M6x25: 4PCS

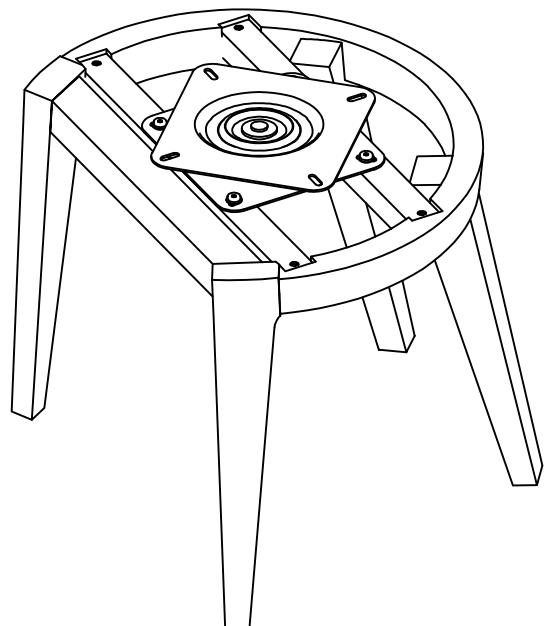


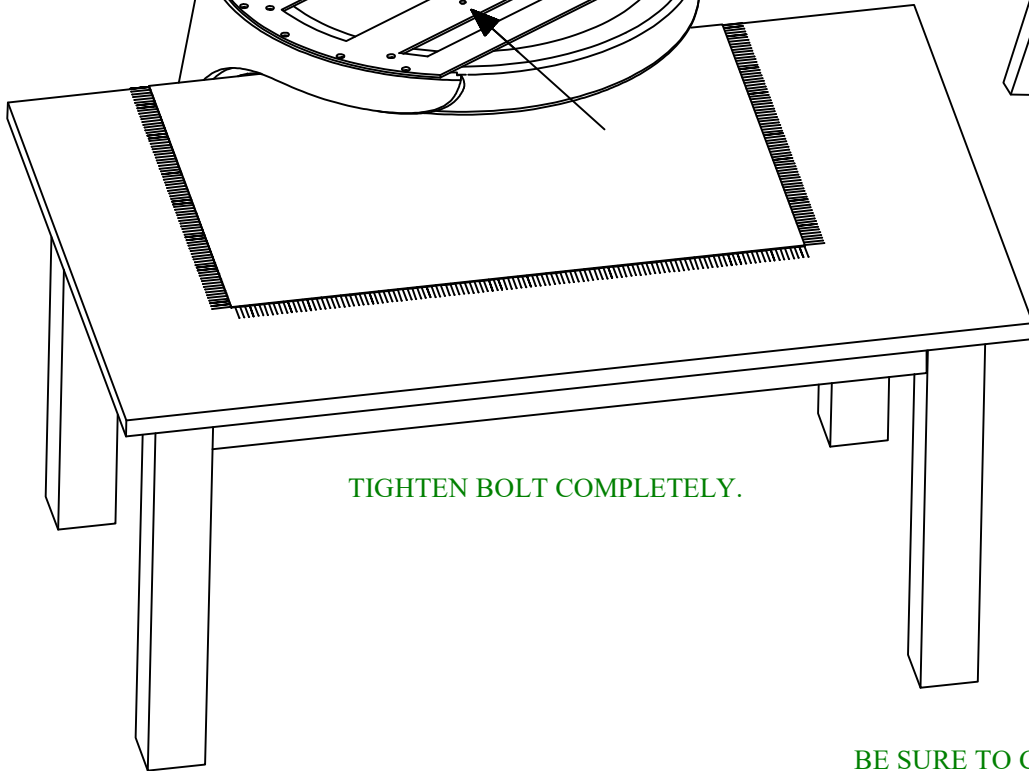
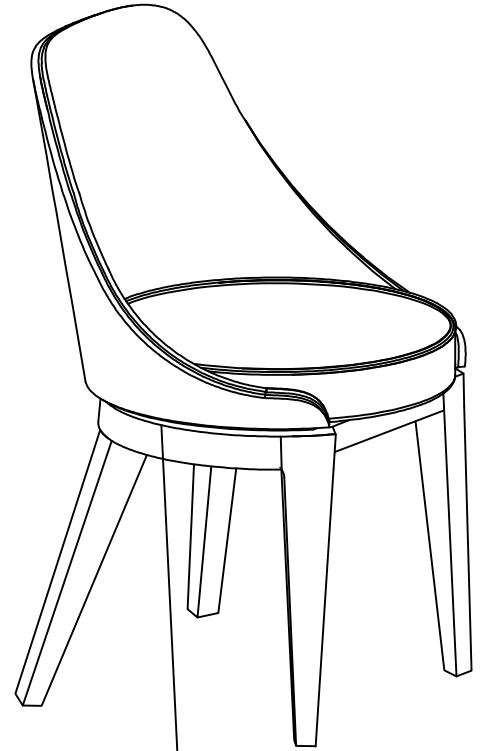
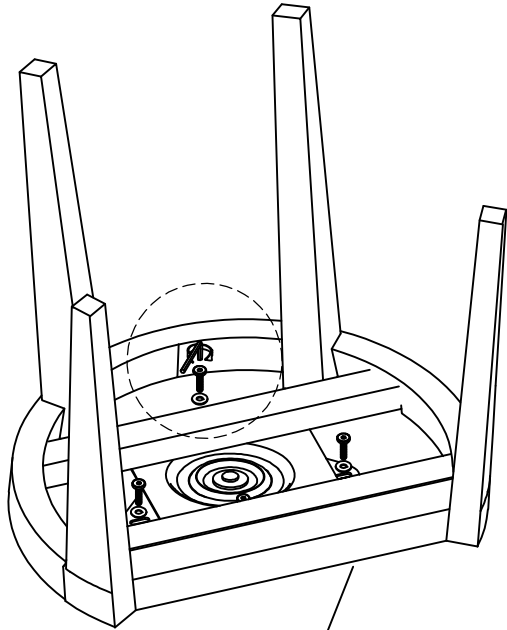
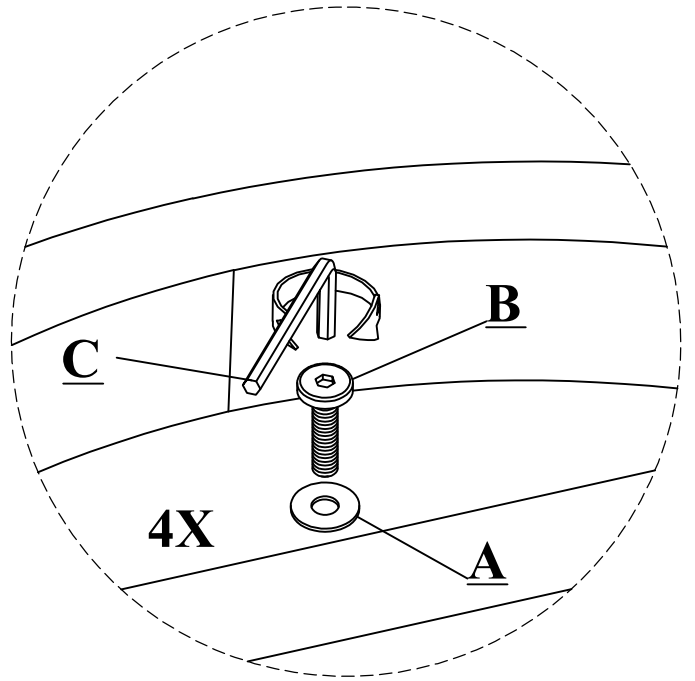
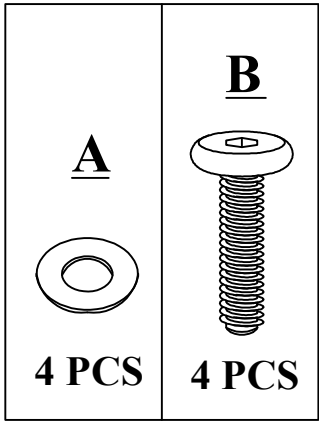
Allen Wrench:  
M4\*110 1 PC

**1**

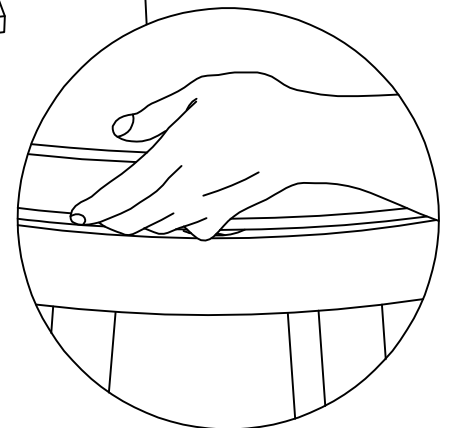


**2**



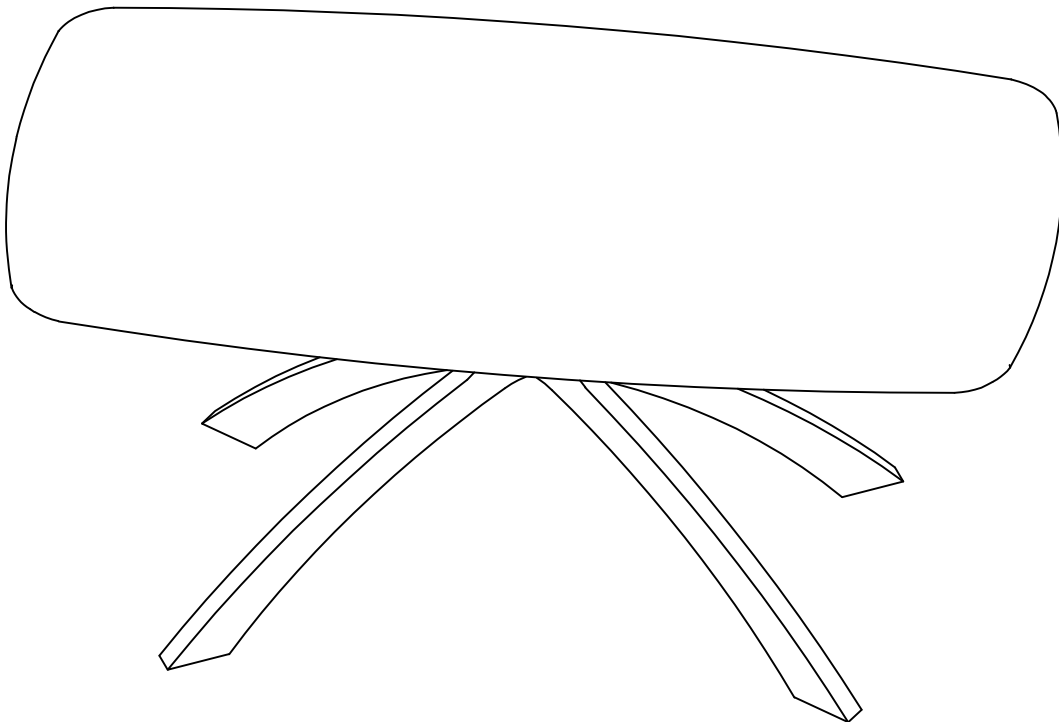
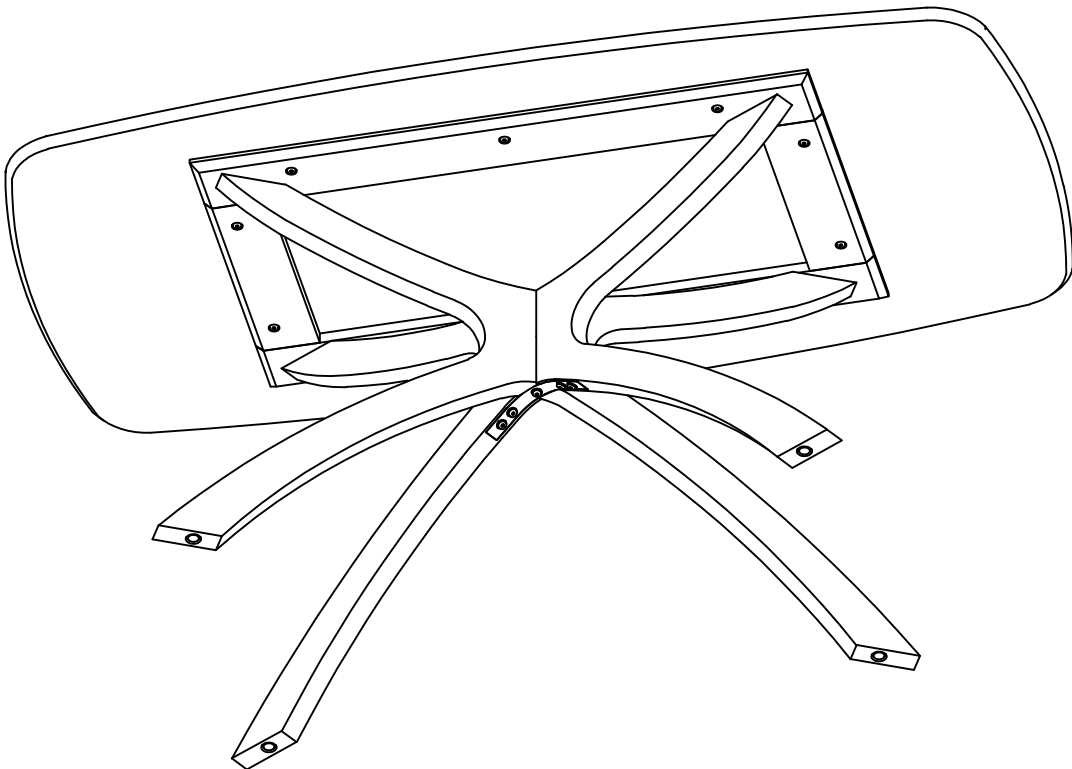


TIGHTEN BOLT COMPLETELY.



BE SURE TO CHECK ALL BOLTS ARE SECURELY TIGHTENED PRIOR USING THIS STOOL.

**TABLE**  
ASSEMBLY INSTRUCTIONS





**PLEASE READ ME FIRST**



- Have questions about assembling your item?



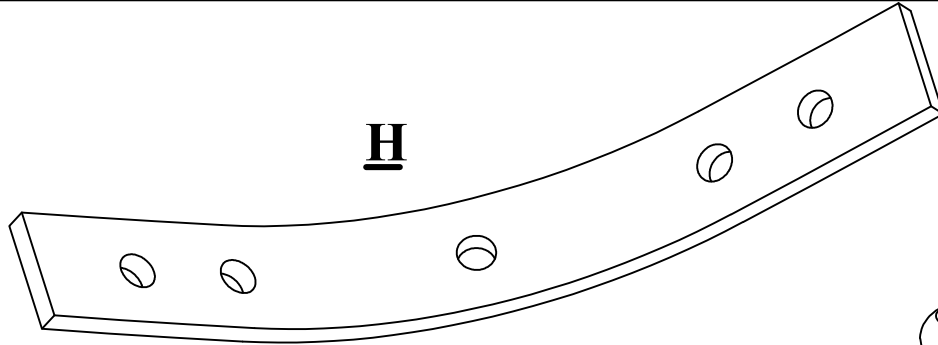
- Item or parts damaged?



- Missing a part?

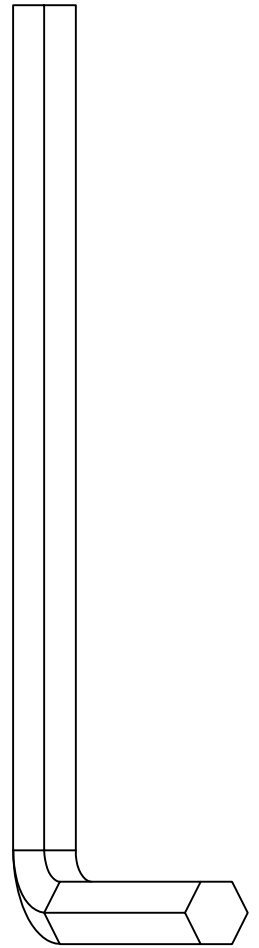


- We're here to help!

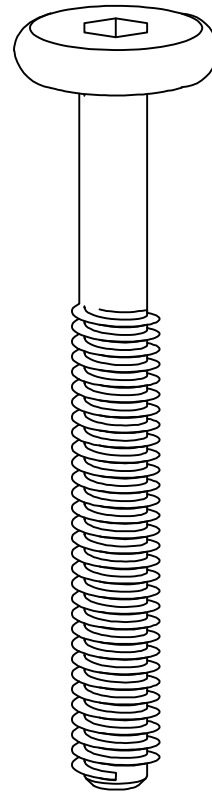


**H**

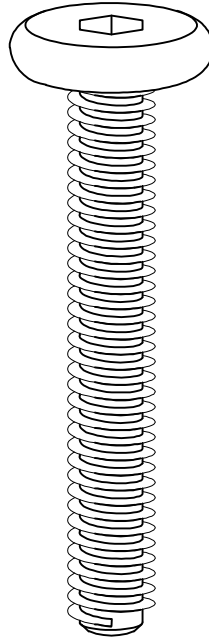
**G**



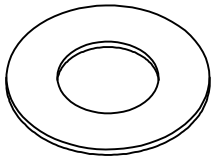
**F**



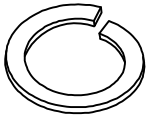
**E**



**B**

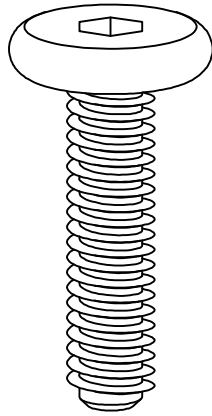


**A**

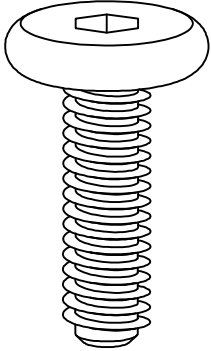


M6x10: 14PCS M6x13: 14PCS

**D**

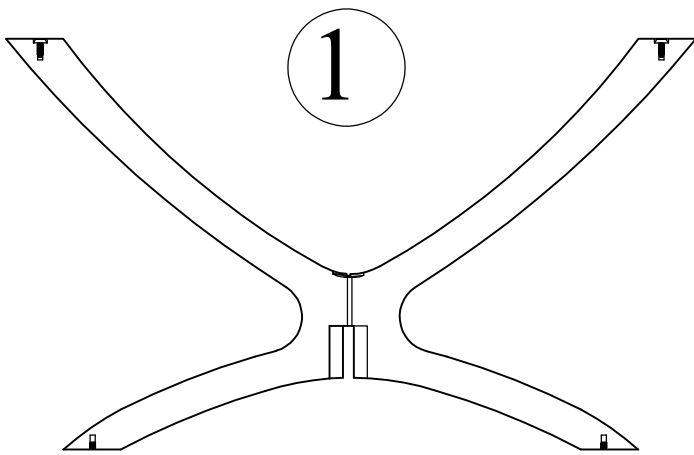


**C**

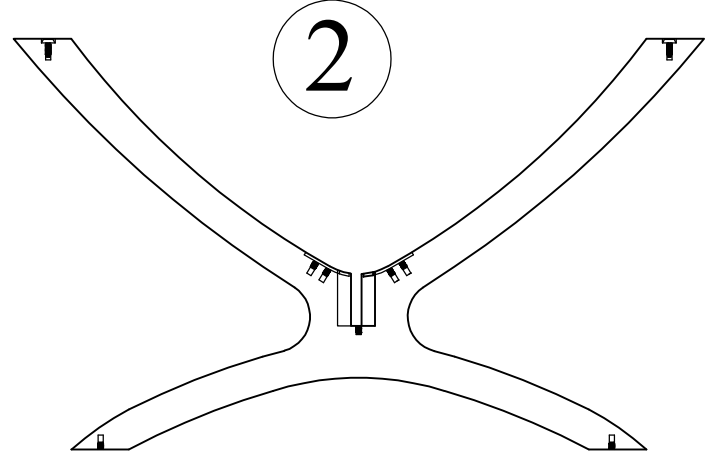


M6x25: 4PCS

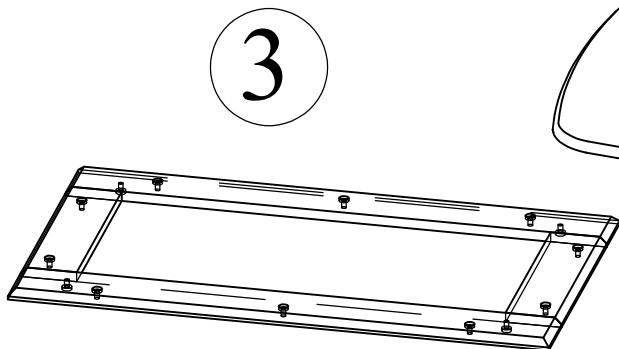
M6x30: 10PCS M6x40: 4PCS M6x110: 1PCS Allen Wrench: 1PC



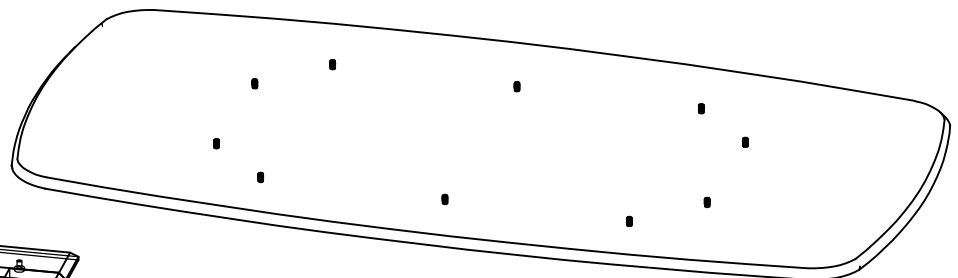
1



2

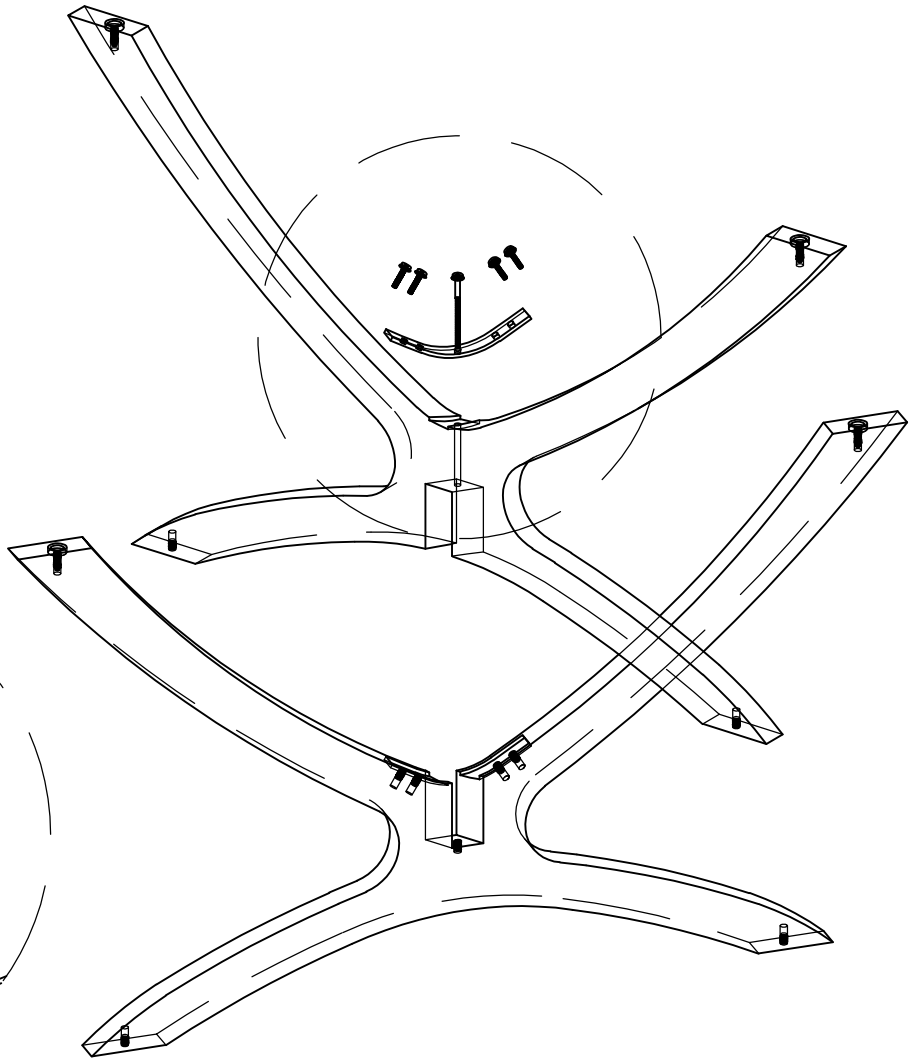
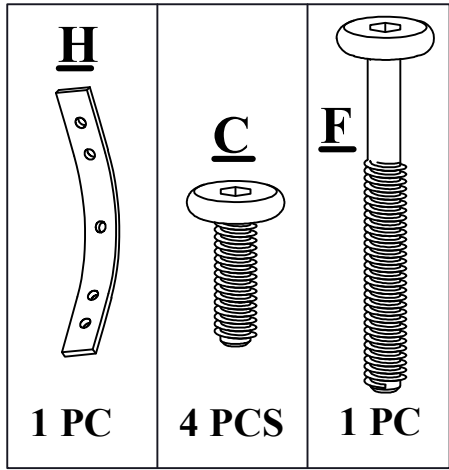


3



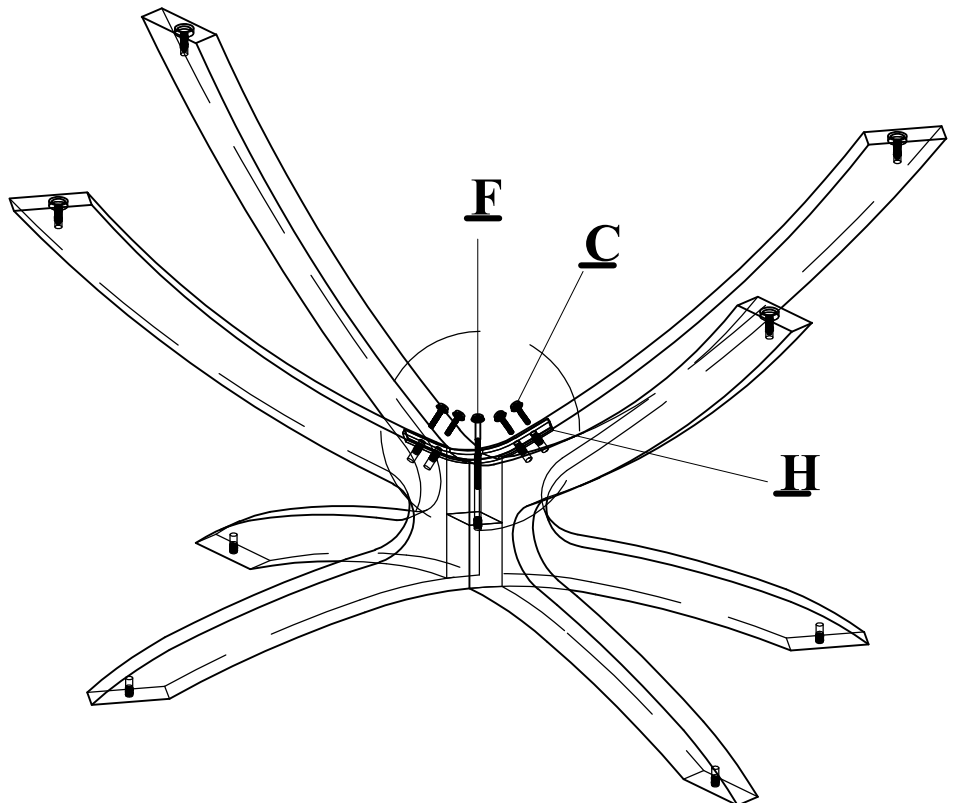
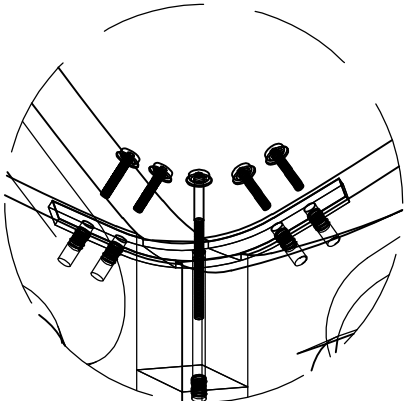
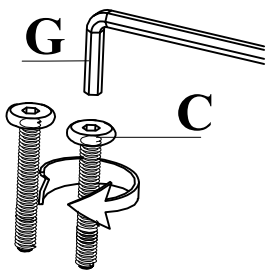
4

# 01



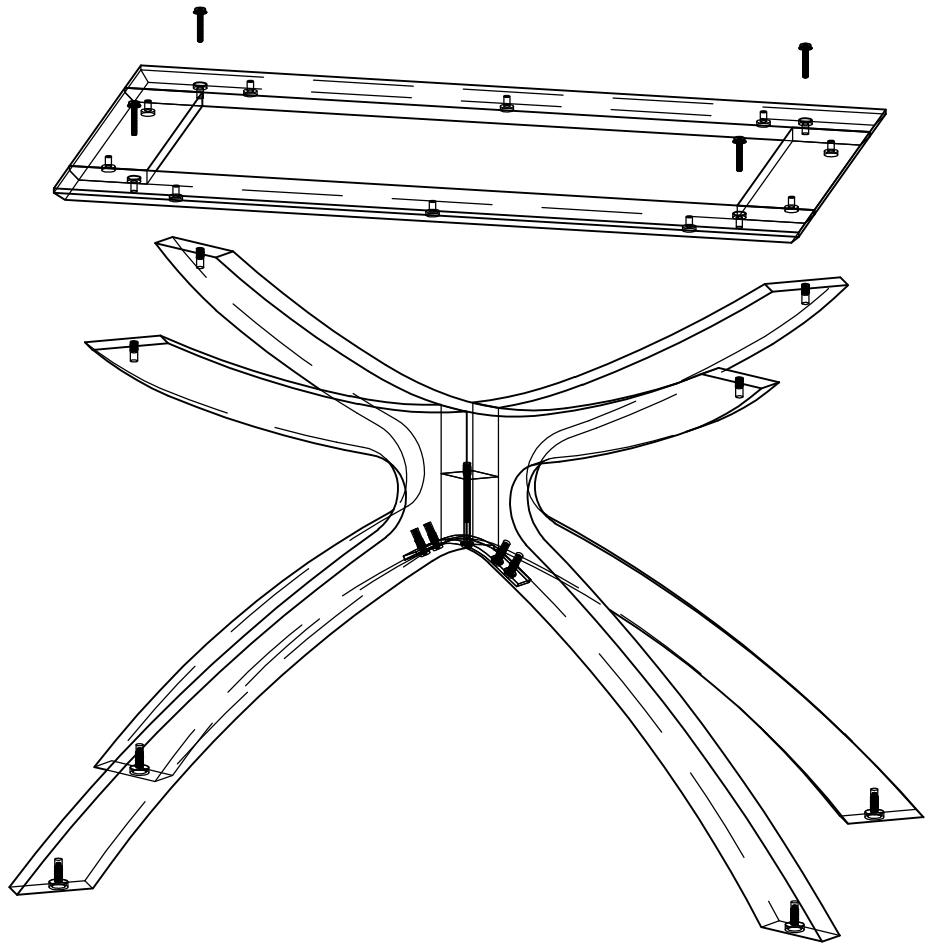
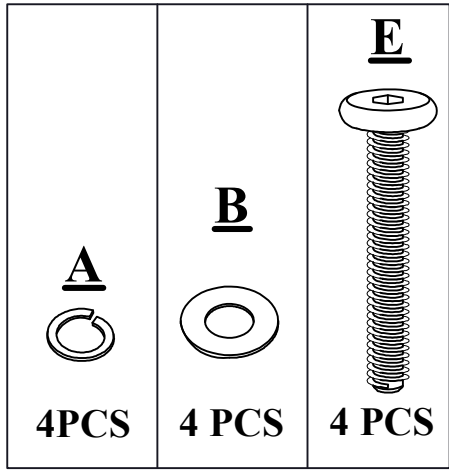
DO NOT TIGHTEN BOLT COMPLETELY.

# 02



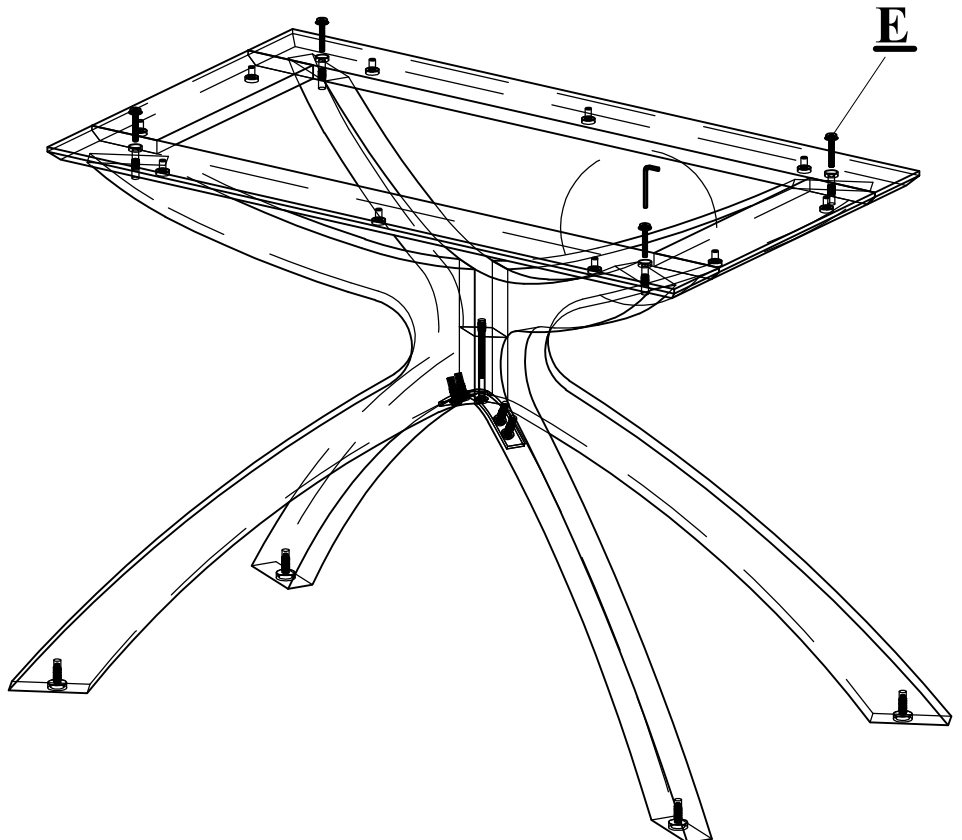
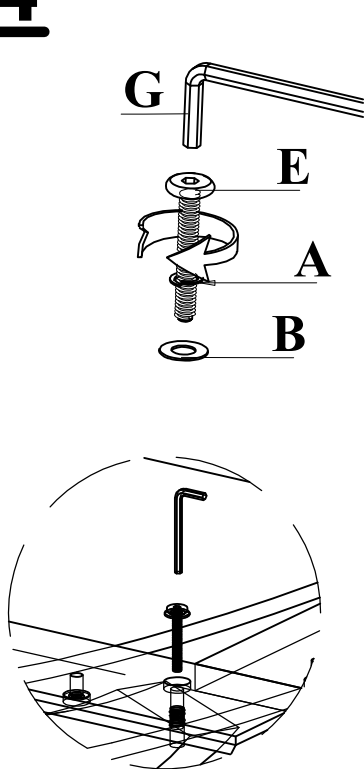
DO NOT TIGHTEN BOLT COMPLETELY.

# 03





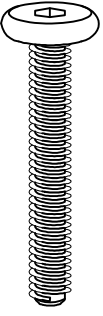
DO NOT TIGHTEN BOLT COMPLETELY.

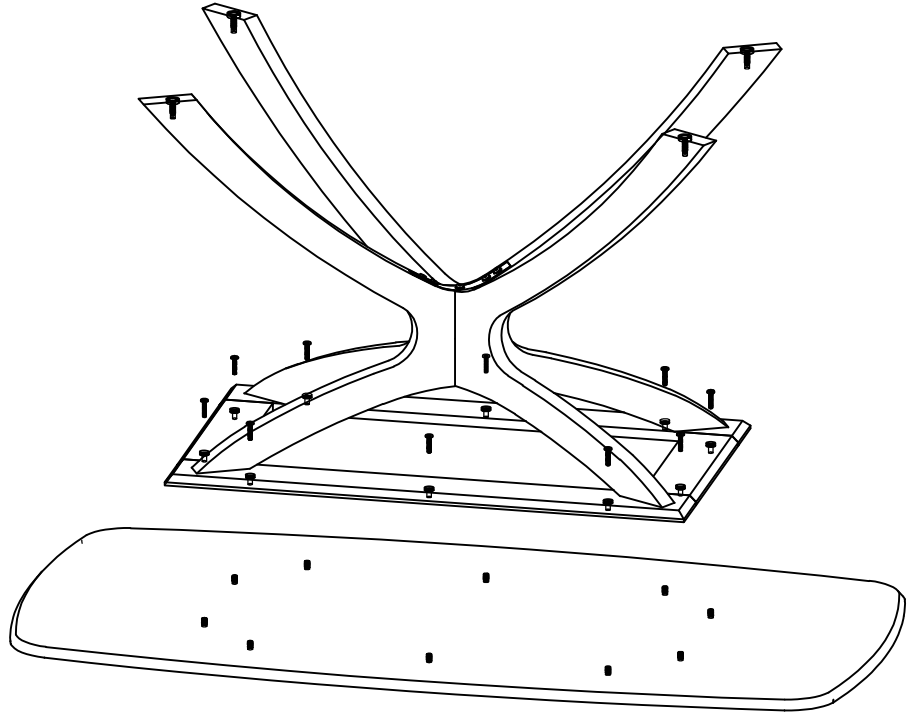
# 04



DO NOT TIGHTEN BOLT COMPLETELY.

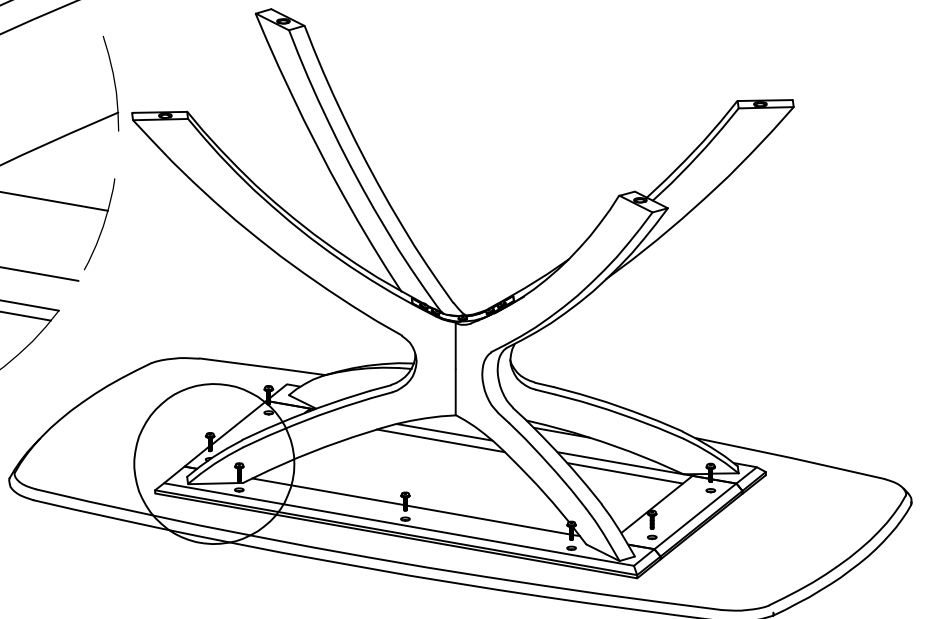
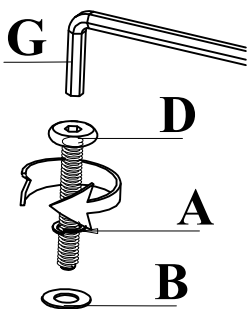
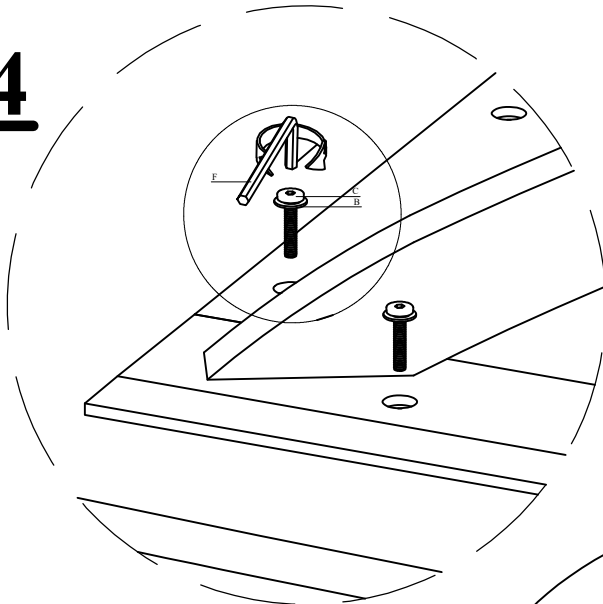
# 05

<b>A</b>  10PCS	<b>B</b>  10 PCS	<b>D</b>  10 PCS
---	---	---



DO NOT TIGHTEN BOLT COMPLETELY.

# 04



DO NOT TIGHTEN BOLT COMPLETELY.