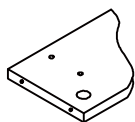




IMPORTANT, RETAIN FOR FUTURE REFERENCE: READ CAREFULLY

ASSEMBLY INSTRUCTION

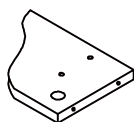
1 x 1



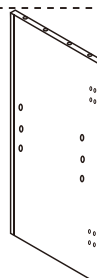
8 x 1



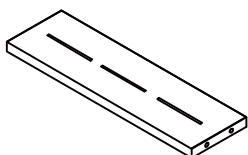
2 x 1



9 x 1



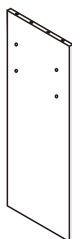
3 x 1



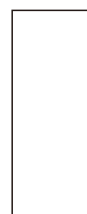
10 x 1



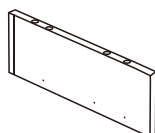
4 x 1



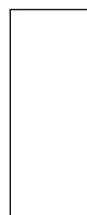
11 x 2



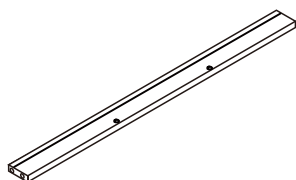
5 x 1



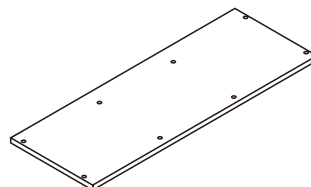
12 x 1



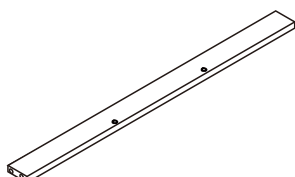
6 x 1



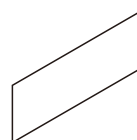
13 x 1



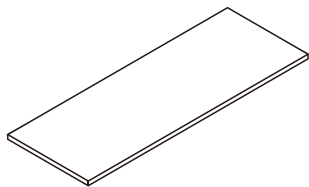
7 x 1



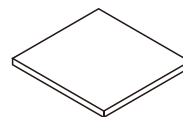
14 x 2



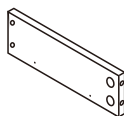
15 x 1



22 x 1



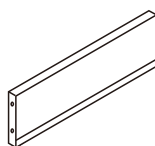
16 x 2



23 x 1



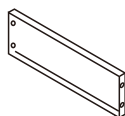
17 x 2



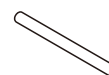
24 x 2



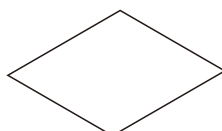
18 x 2



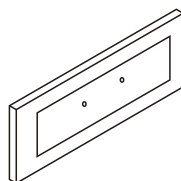
25 x 1



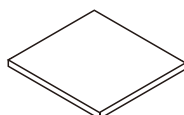
19 x 2



20 x 2



21 x 2



A x22

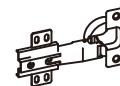
H x56



M3*12

B x22

I x 6



C x24

J x12



M6*30

D x 2

K x 2



E x 2

L x 5



F x26

M x10



M4*35

G x16

M3*16

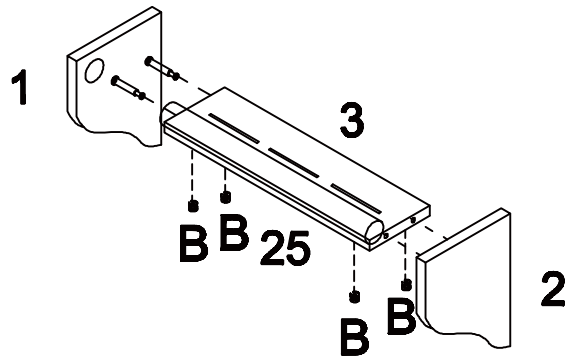
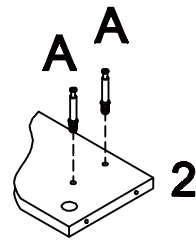
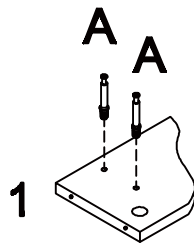


M3*15

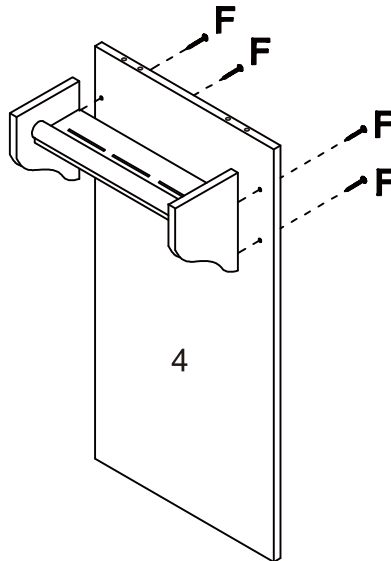
A x 4



B x 4



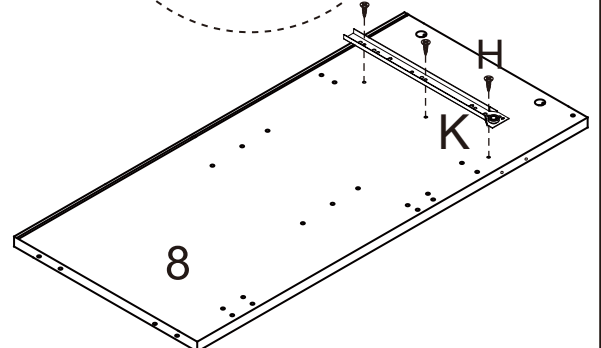
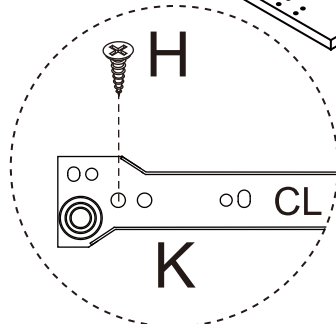
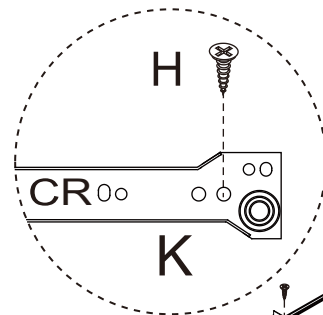
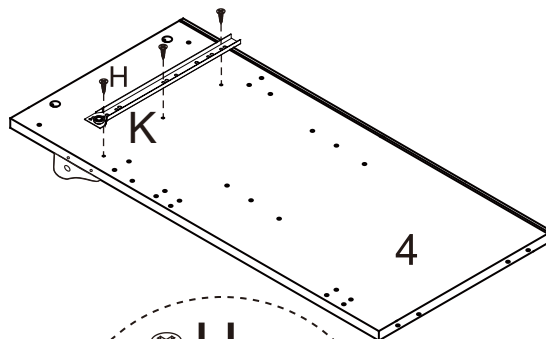
F x 4



H x 6



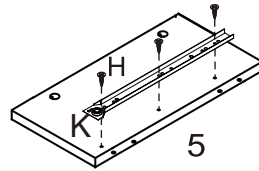
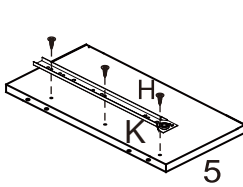
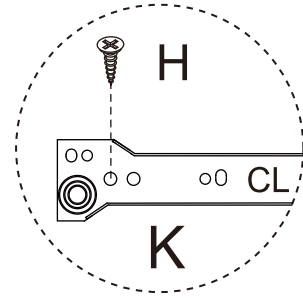
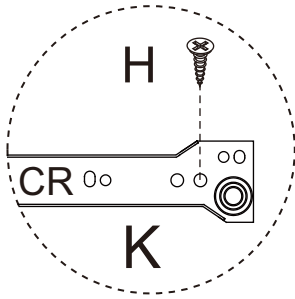
K x 1



H x 6



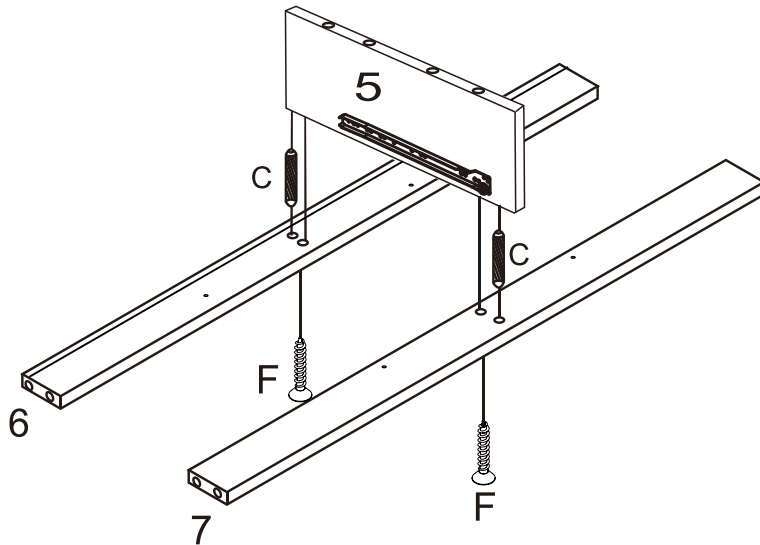
K x 1



C x 2



F x 2



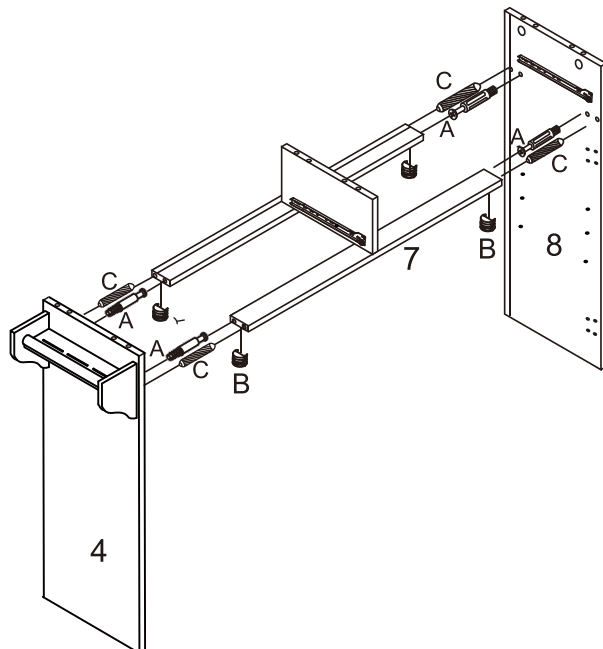
A x 4



B x 4



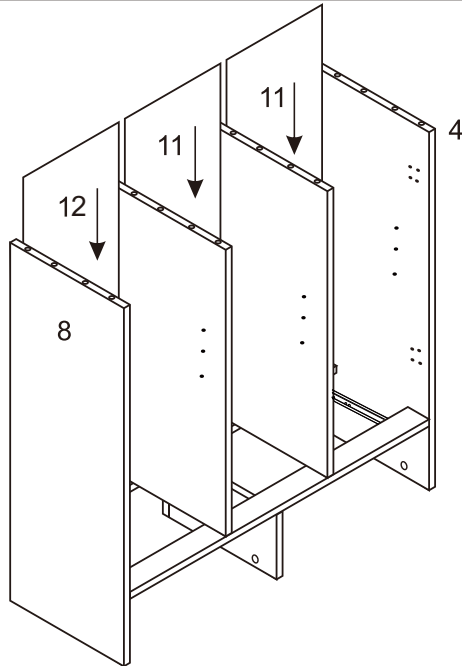
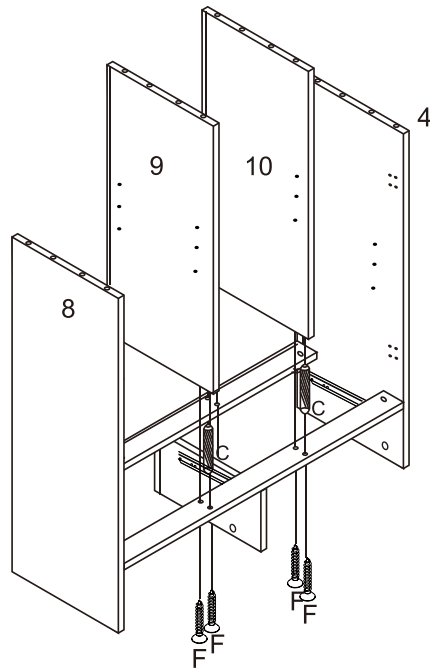
C x 4



C x 4



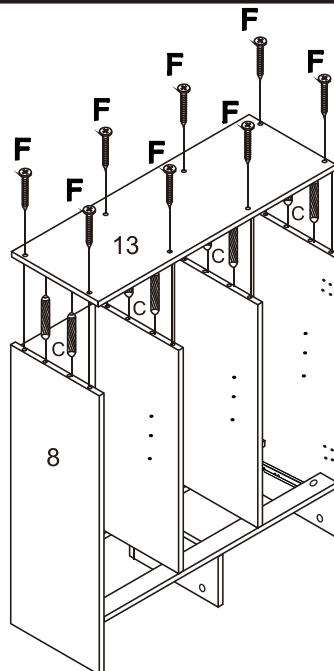
F x 4



C x 8



F x 8



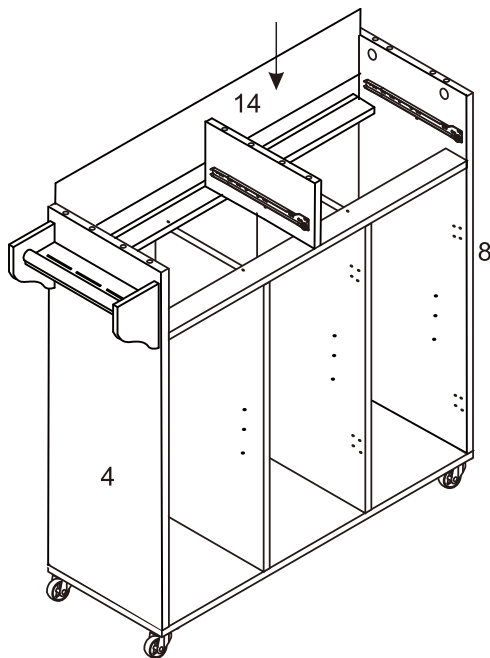
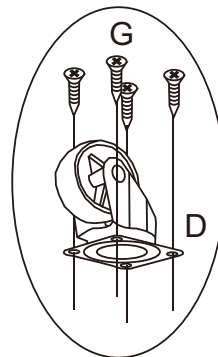
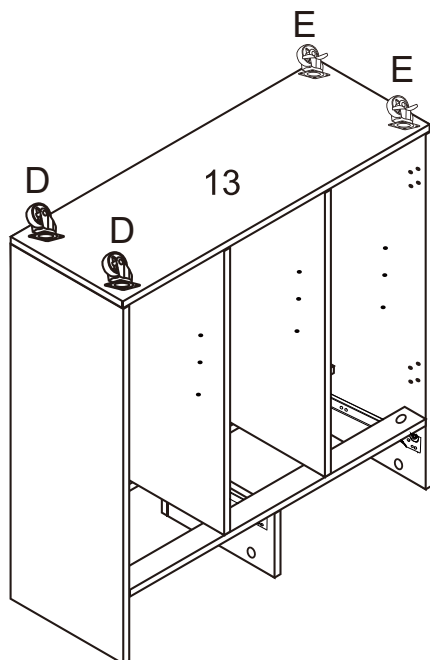
D x 2



E x 2



G x 16



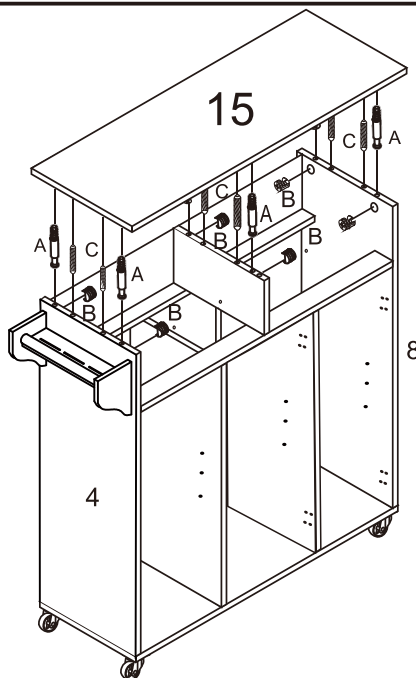
A x 6



B x 6



C x 6



A x 8



K x 2



B x 8



L x 2



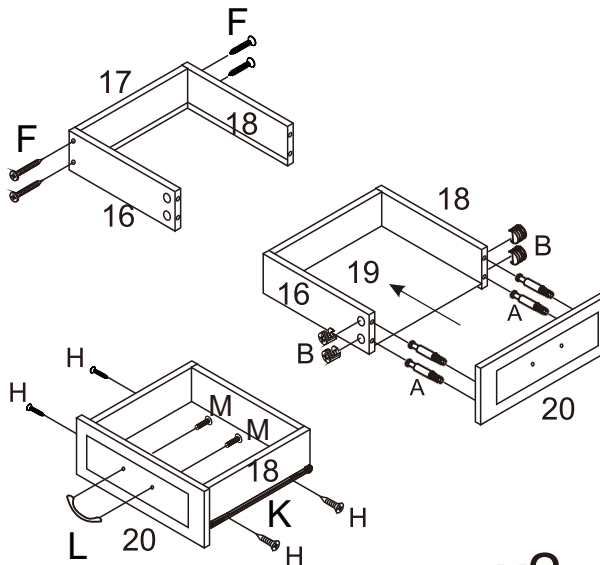
F x 8



M x 4

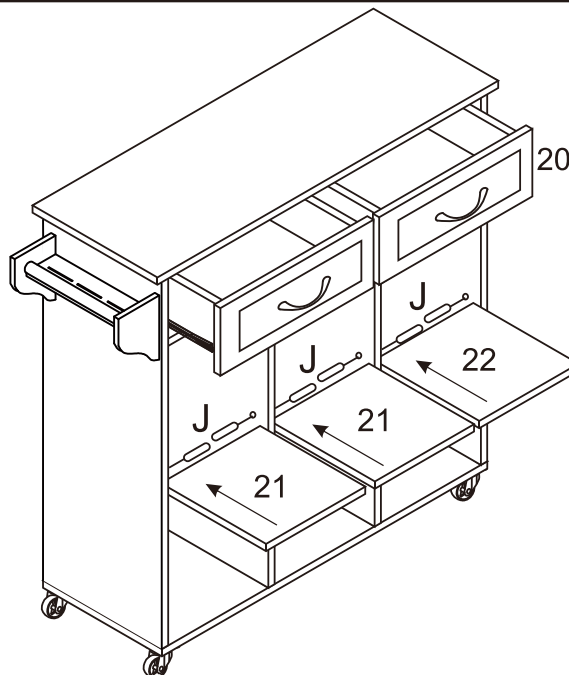


H x 8



x2

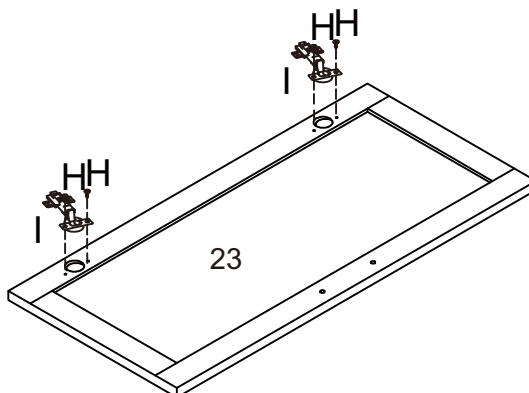
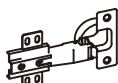
J x 12



H x 4



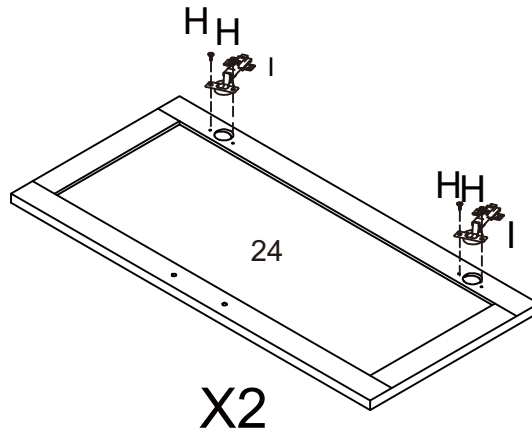
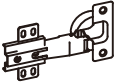
I x 2



H x 8



I x 4



H x 24



L x 3



M x 6

