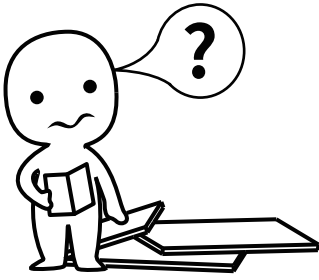


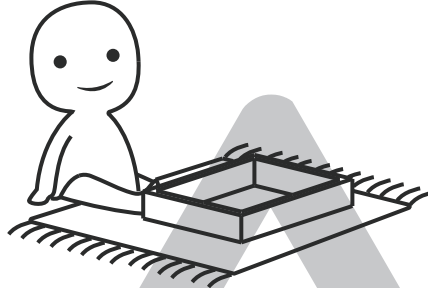
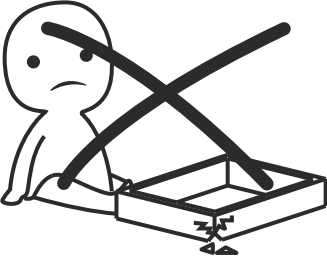
INSTALLATION

Product Manual



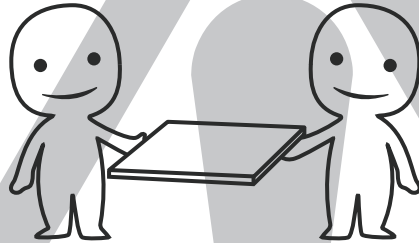
IMPORTANT INFORMATION!

please read the entire manual before starting to assemble and/or using this product. Follow the manual thoroughly and keep it for further reference.



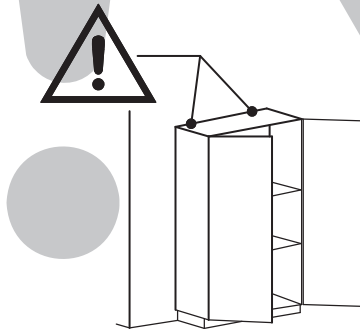
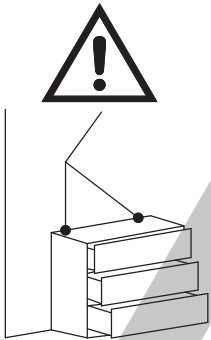
AVOID SCRATCHES!

In order to avoid scratching this furniture should be assembled on a soft layer-could be a rug.



IMPROVE EFFICIENCY !

Try to find a partner to install with you, which can speed up the installation efficiency and shorten the time.



ANTI-TOPPLE WARNING !

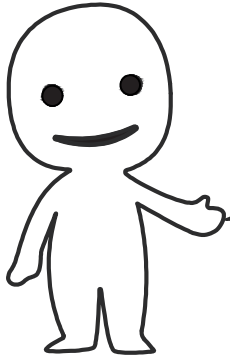
Overturnd furniture can cause serious or fatal crush injuries. To prevent tipping over, be sure to use the wall attachment, if not included with this product. Please purchase the wall attachment that fit your wall. If unsure, seek professional advice. Please read and follow each step of the instructions carefully.

IMPORTANT !

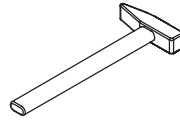
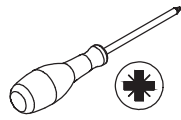
It is important that any product which is assembled using any kind of screw is re-tightened 2 weeks after assembly, and once every 3 months - in order to assure stability through-out the lifespan of the product.

For regular maintenance and cleaning of the product, for the frame, please use a rag dipped in neutral detergent to fully wipe it, and then dry it with a clean rag. For glass materials, wipe with a rag dampened with water glass cleaner, and then dry with a dry rag.

Do not use an electric screwdriver, and do not use too much force when installing, because the board is easy to break.

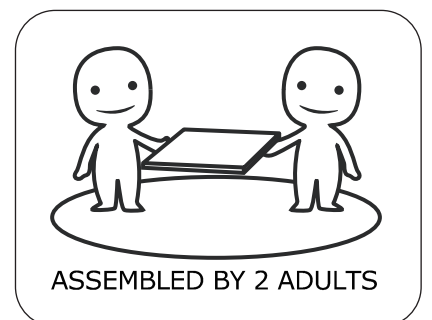
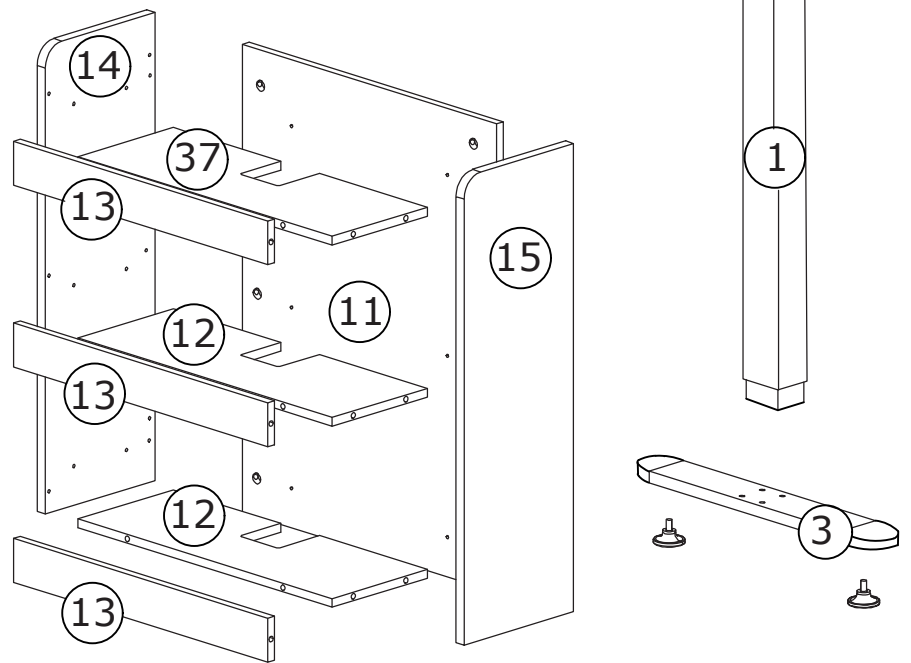
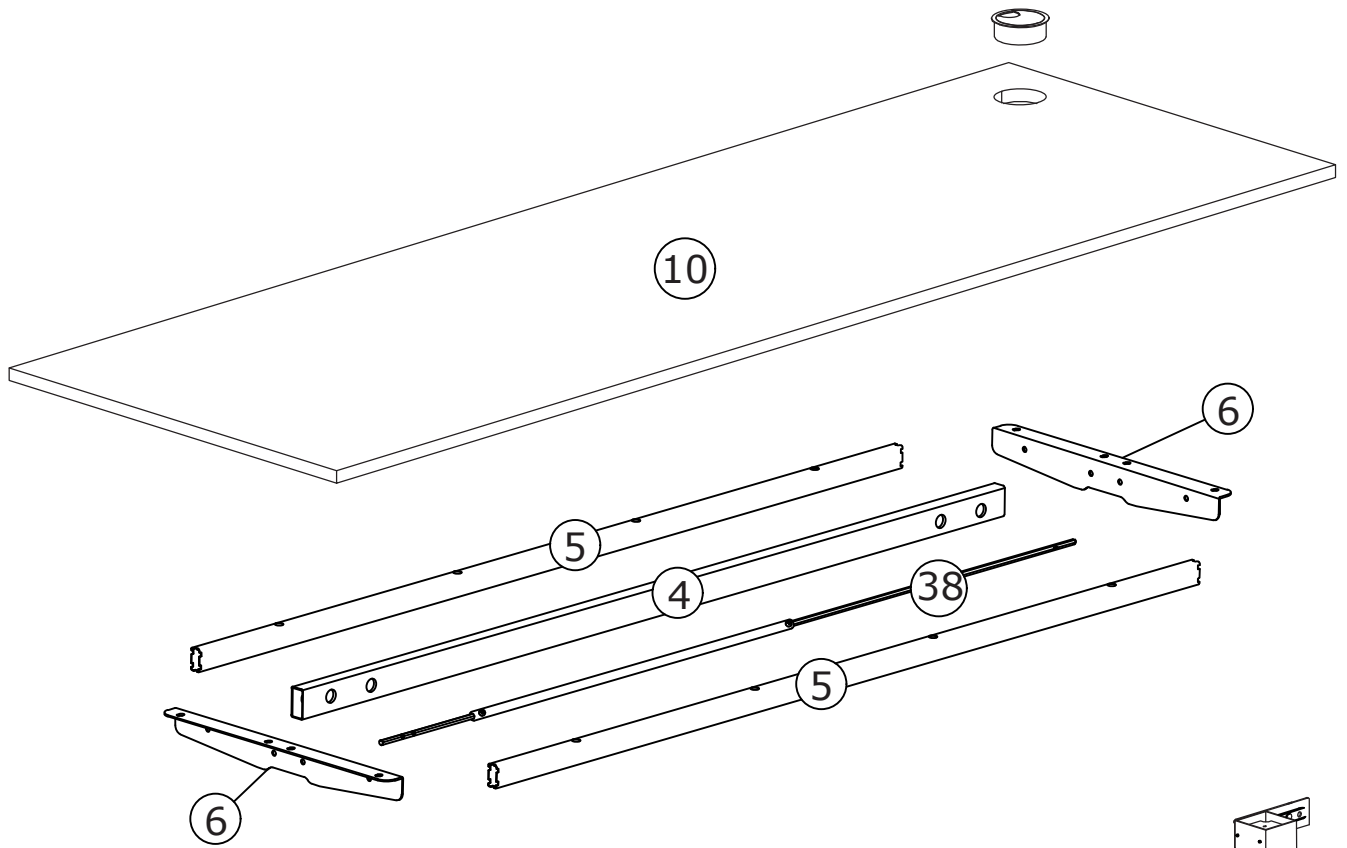


Please prepare the following tools



When installing, please carefully confirm whether each screw corresponds to the manual, accessories with similar shapes can be distinguished by size

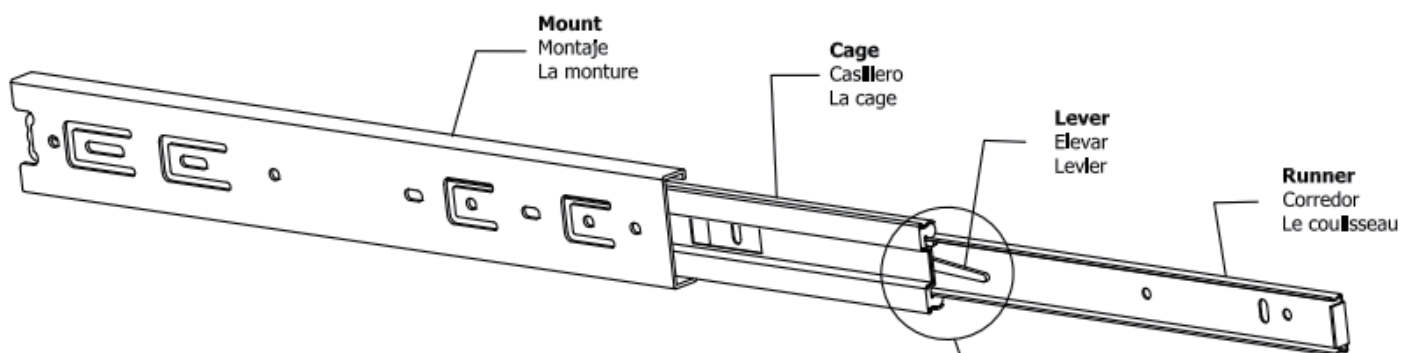
| | | | | |
|--|---|--|--|--|
| <p>A x 104</p>  <p>Ø 6 x 35mm</p> | <p>B x 104</p>  <p>Ø 15 x 10mm</p> | <p>C x 14</p>  <p>Ø 6 x 30mm</p> | <p>D x 12</p>  <p>Ø 5 x 40mm</p> | <p>E x 4</p>  |
| <p>F x 8</p>  <p>Ø 4 x 18mm</p> | <p>G x 2</p>  | <p>H x 34</p>  <p>Ø 3.5 x 14 mm</p> | <p>I x 12</p>  <p>Ø 3.5 x 12 mm</p> | <p>J x 3</p>  |
| <p>K x 3</p>  <p>Ø 60 mm</p> | <p>L x 28</p>  <p>Ø 6 x 12mm</p> | <p>M x 8</p>  <p>Ø 6 x 40mm</p> | <p>N x 2</p>  <p>Ø 5 x 45mm</p> | <p>O x 4</p>  |
| <p>P x 4</p>  | <p>Q x 1</p>  <p>#5</p> | <p>R x 1</p>  <p>#4</p> | <p>S x 1</p>  | <p>T x 1</p>  |
| <p>(39) x 2</p>  <p>Ø 4 x 4mm</p> | | | | |



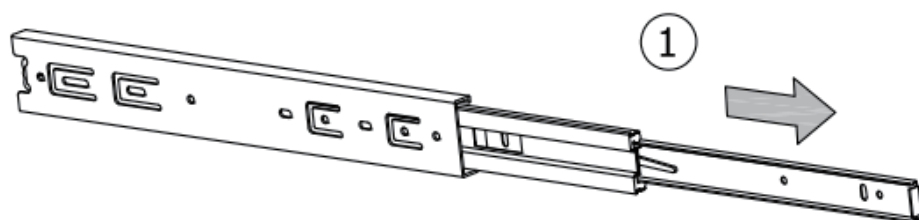
**Slides Must Be Separated Before Assembly.
After Separated, Set Aside Until Needed for Assembly.**

Las diapositivas deben separarse antes del montaje.
Después de la separación, déjelo a un lado hasta que sea necesario.

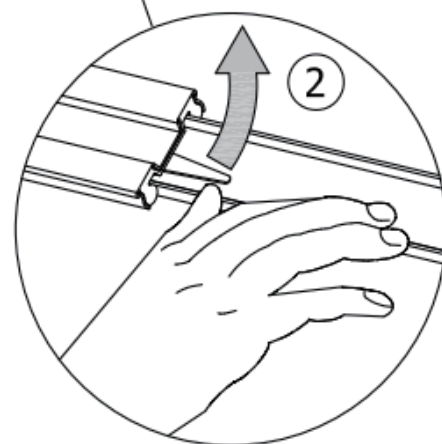
Les glissières doivent être séparées avant l'assemblage.
Après la séparation, mettez de côté jusqu'au moment de l'assemblage.



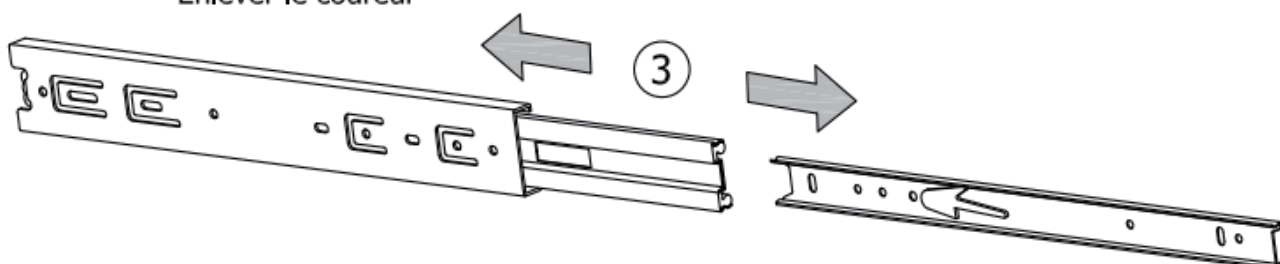
STEP 1: Extend Slide
Extender la diapositiva
Extendre la diapositive



STEP 2: Push Lever UP
Empujar hacia arriba
Lever le levier

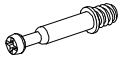


STEP 3: Remove Runner
Quitar el corredor
Enlever le coureur



1

A x 16

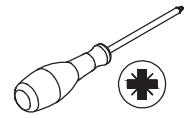


Ø 6 x 35mm

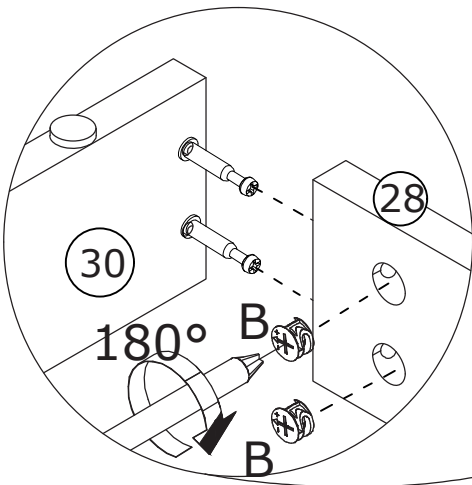
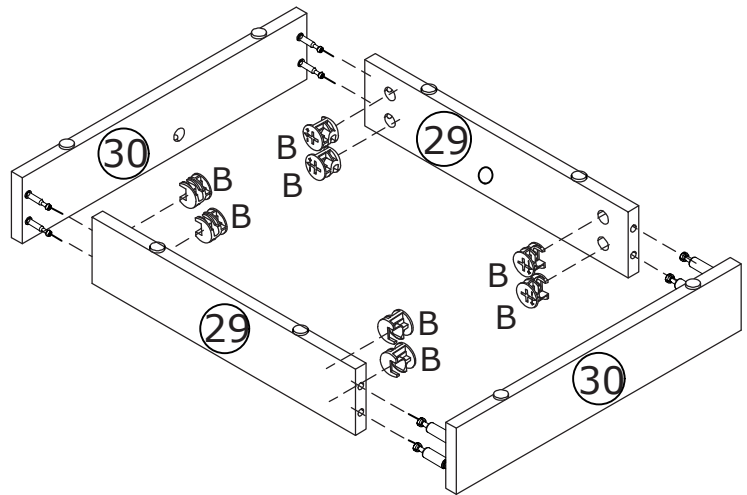
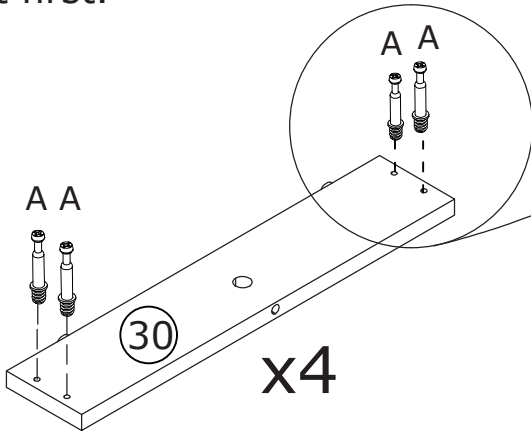
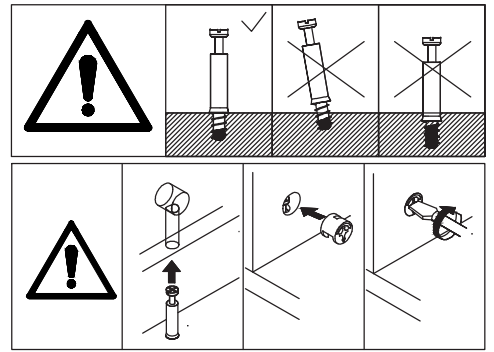
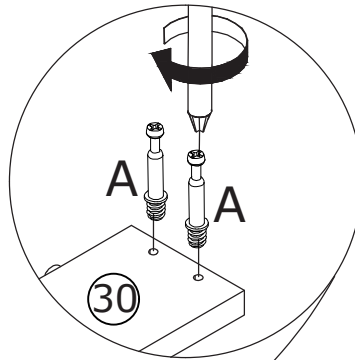
B x 16



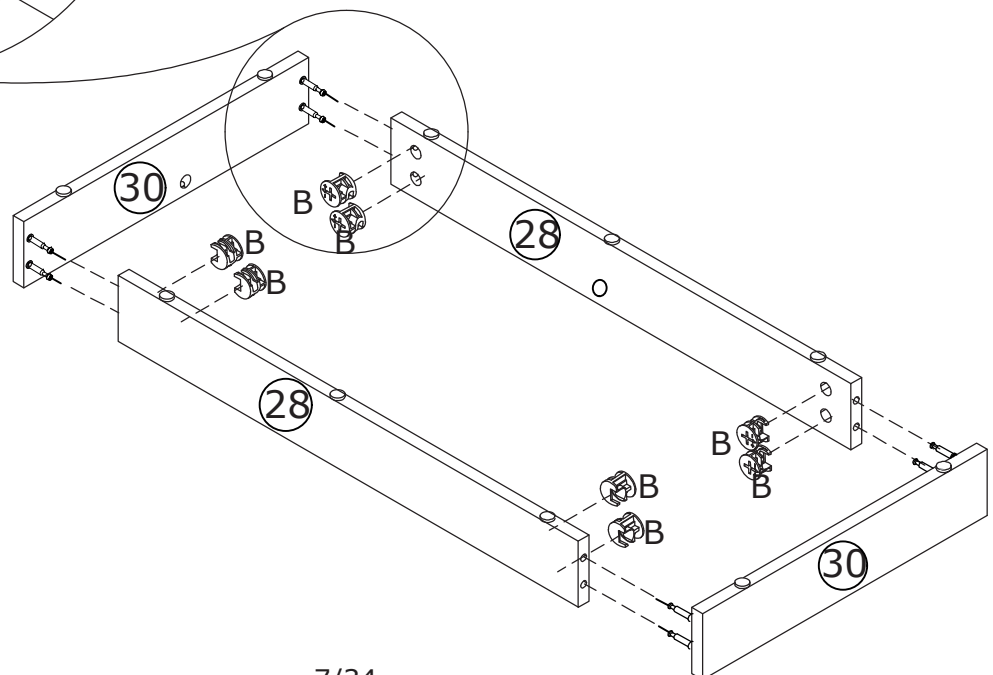
Ø 15 x 10mm



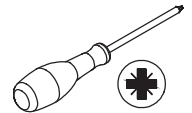
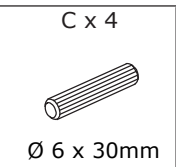
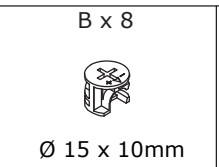
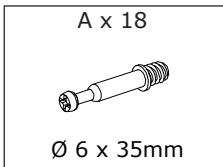
Screw eccentric rod(A) into board 30 with a screwdriver at first.



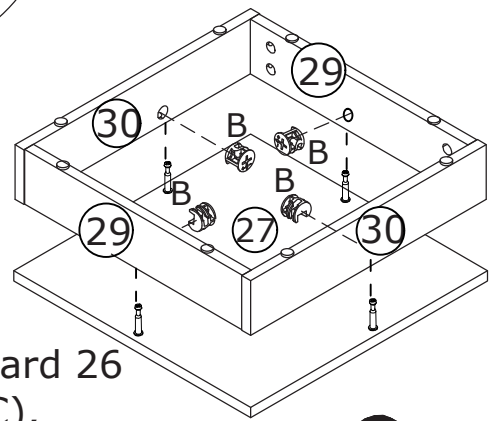
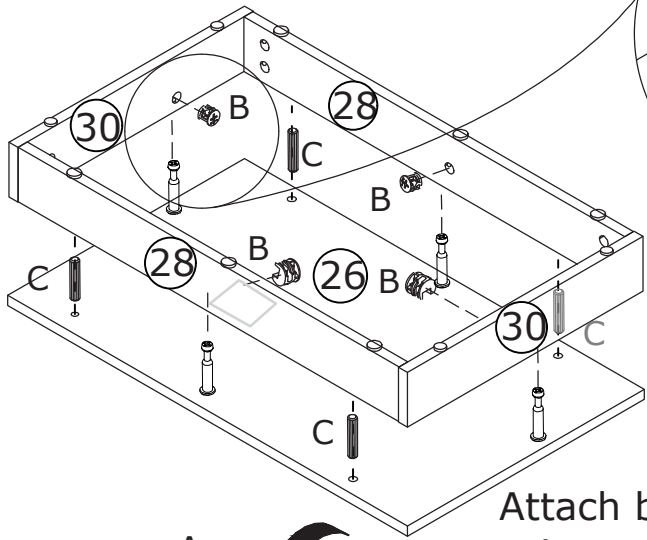
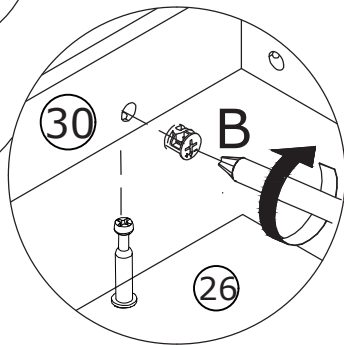
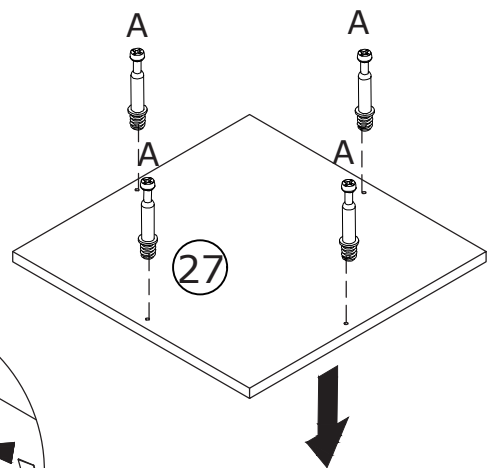
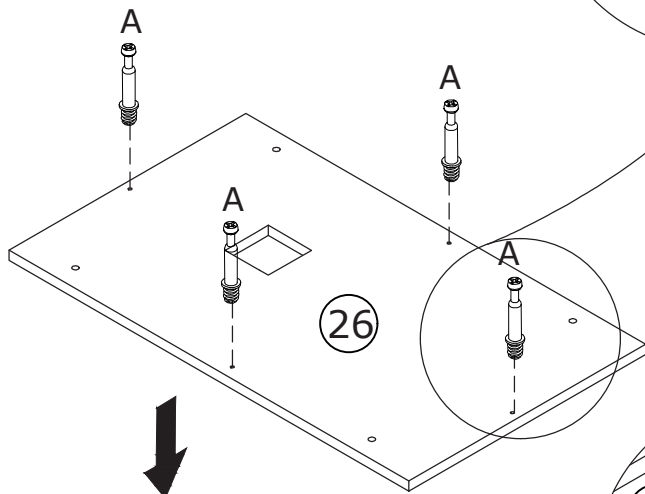
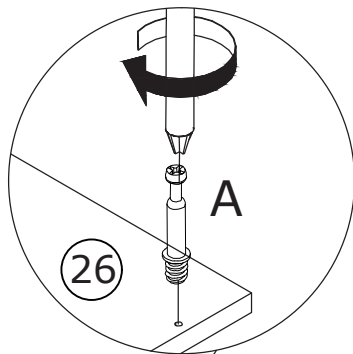
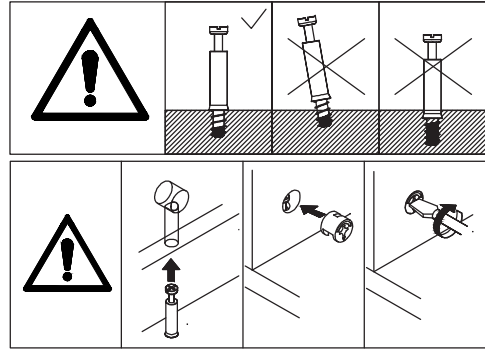
Connect board 29 and 28 to board 30 respectively, add cam lock(B) into board 28,29 and turn clockwise to tighten as shown.



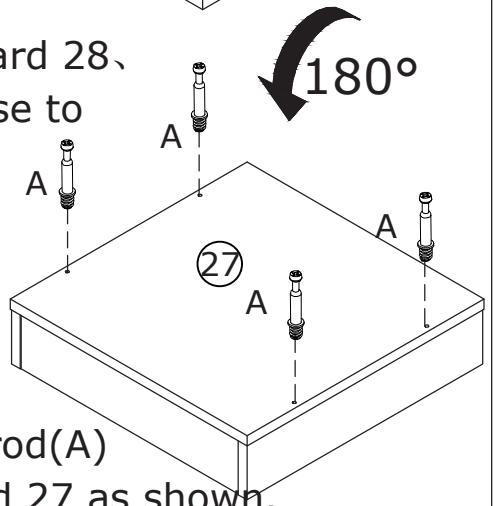
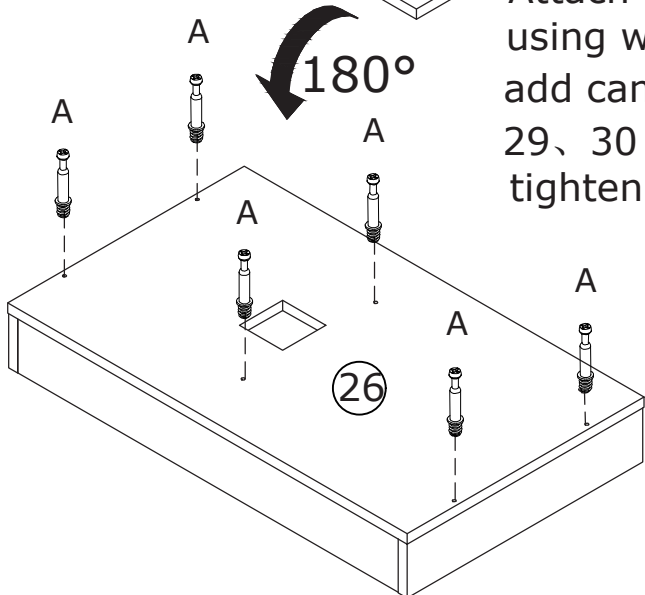
2



Screw eccentric rod(A)
into board 26 and 27 at first.

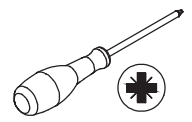
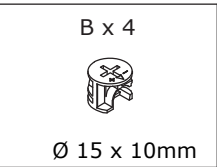
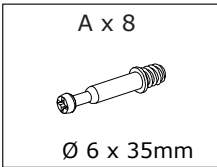


Attach board 28 to board 26
using wooden dowel(C),
add cam lock(B) into board 28,
29, 30 and turn clockwise to
tighten as shown.

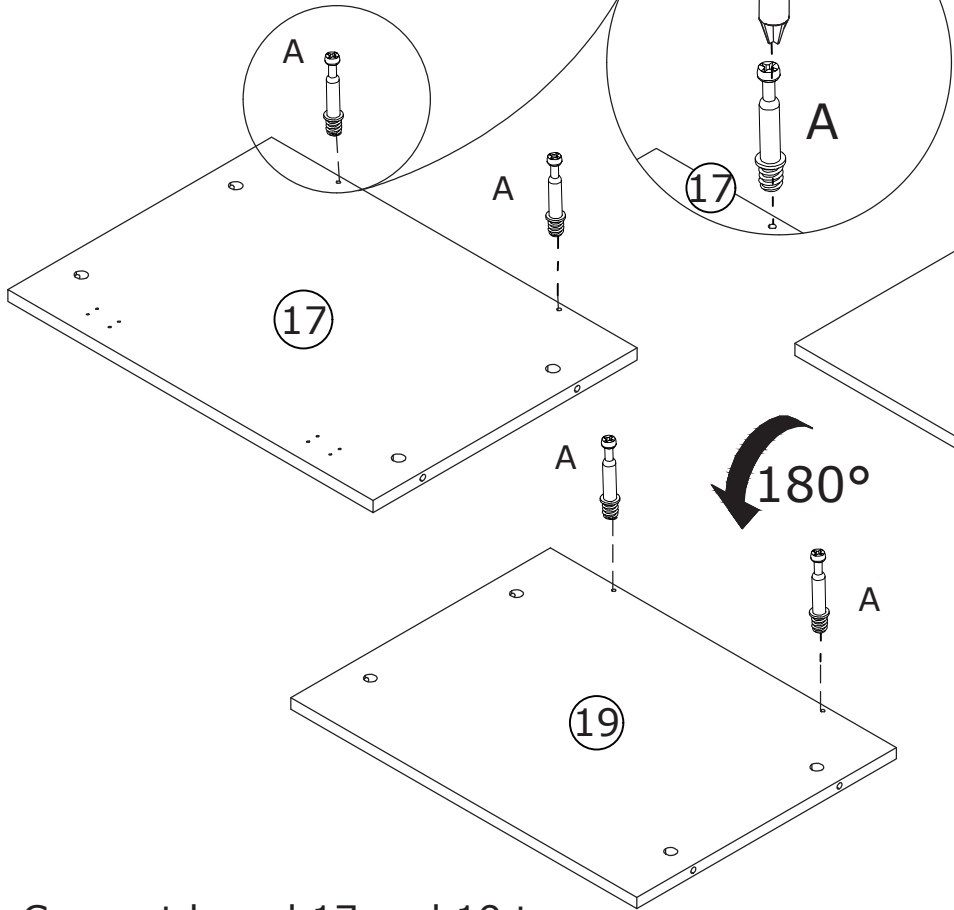
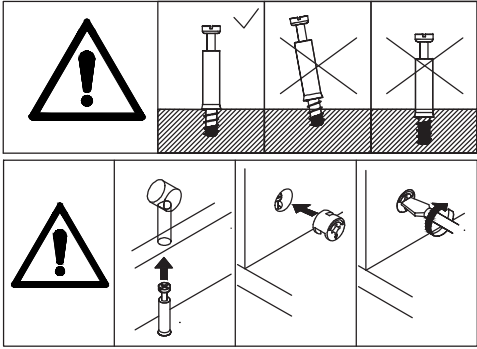


Screw eccentric rod(A)
into board 26 and 27 as shown.

3

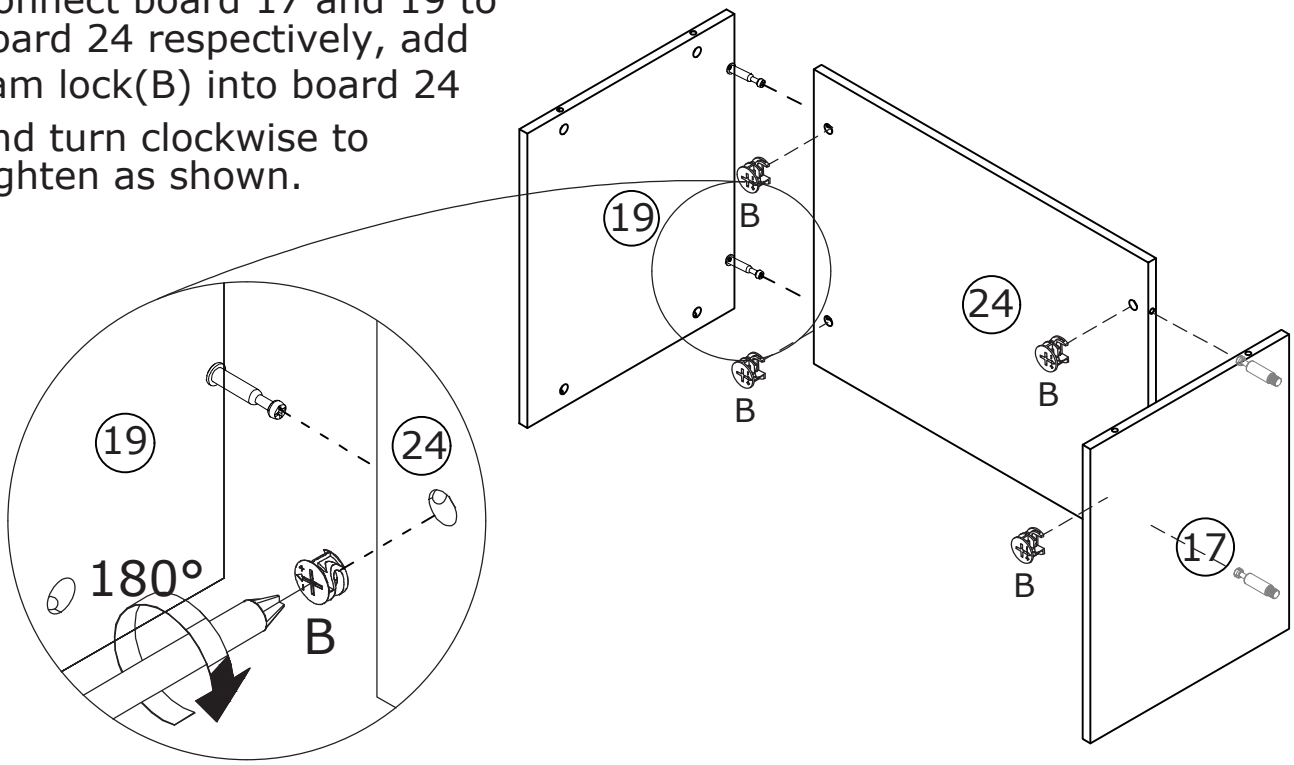


Screw eccentric rod(A) into board 17 and 19 at first.





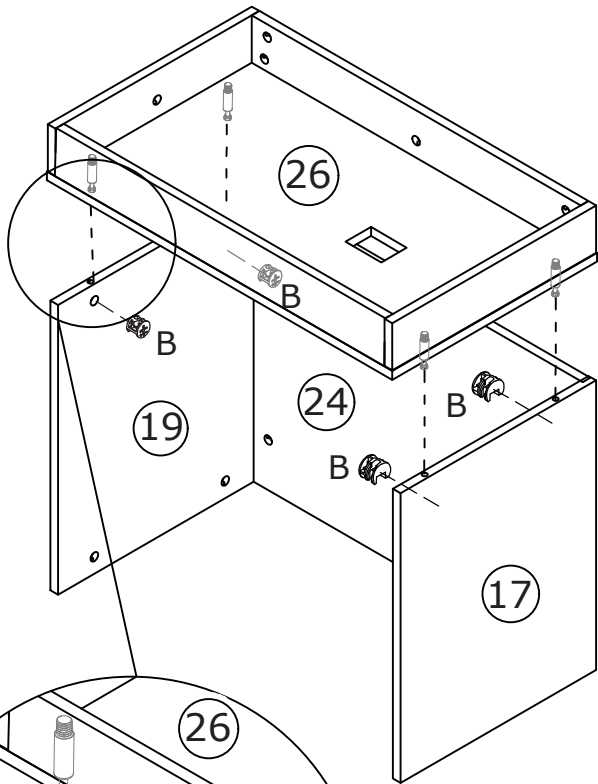
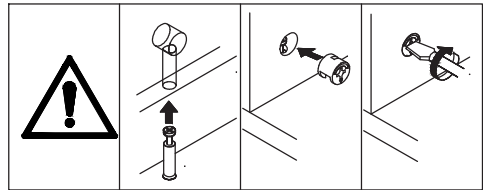
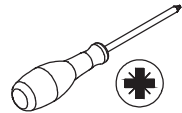
Flip board 19 to back, screw eccentric rod(A) as well.

Connect board 17 and 19 to board 24 respectively, add cam lock(B) into board 24 and turn clockwise to tighten as shown.

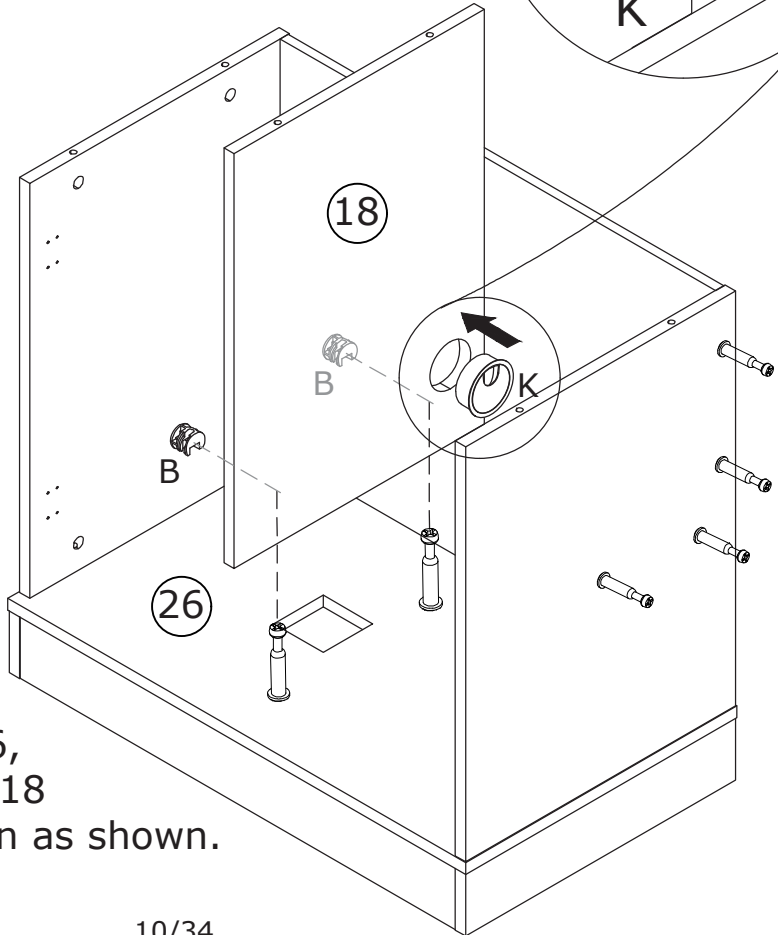
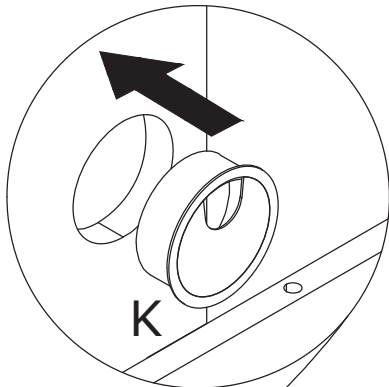
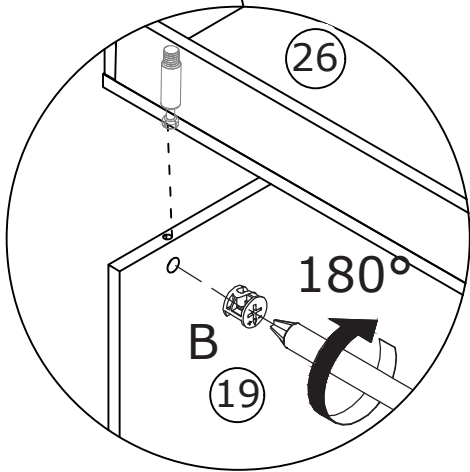


4

| | |
|---|---|
| B x 6  Ø 15 x 10mm | K x 1  Ø 60 mm |
|---|---|

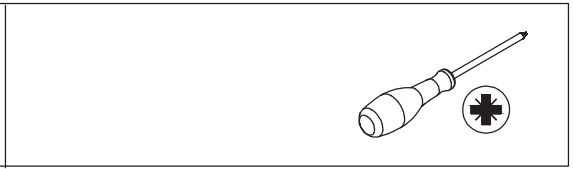
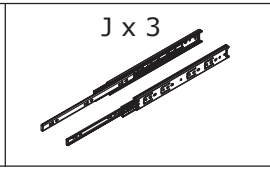
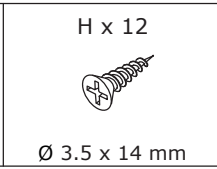
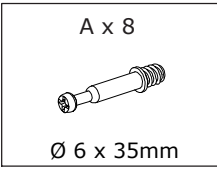


Attach board 17 and 19 to board 26, add cam lock(B) into board 17,19 and turn clockwise to tighten as shown.

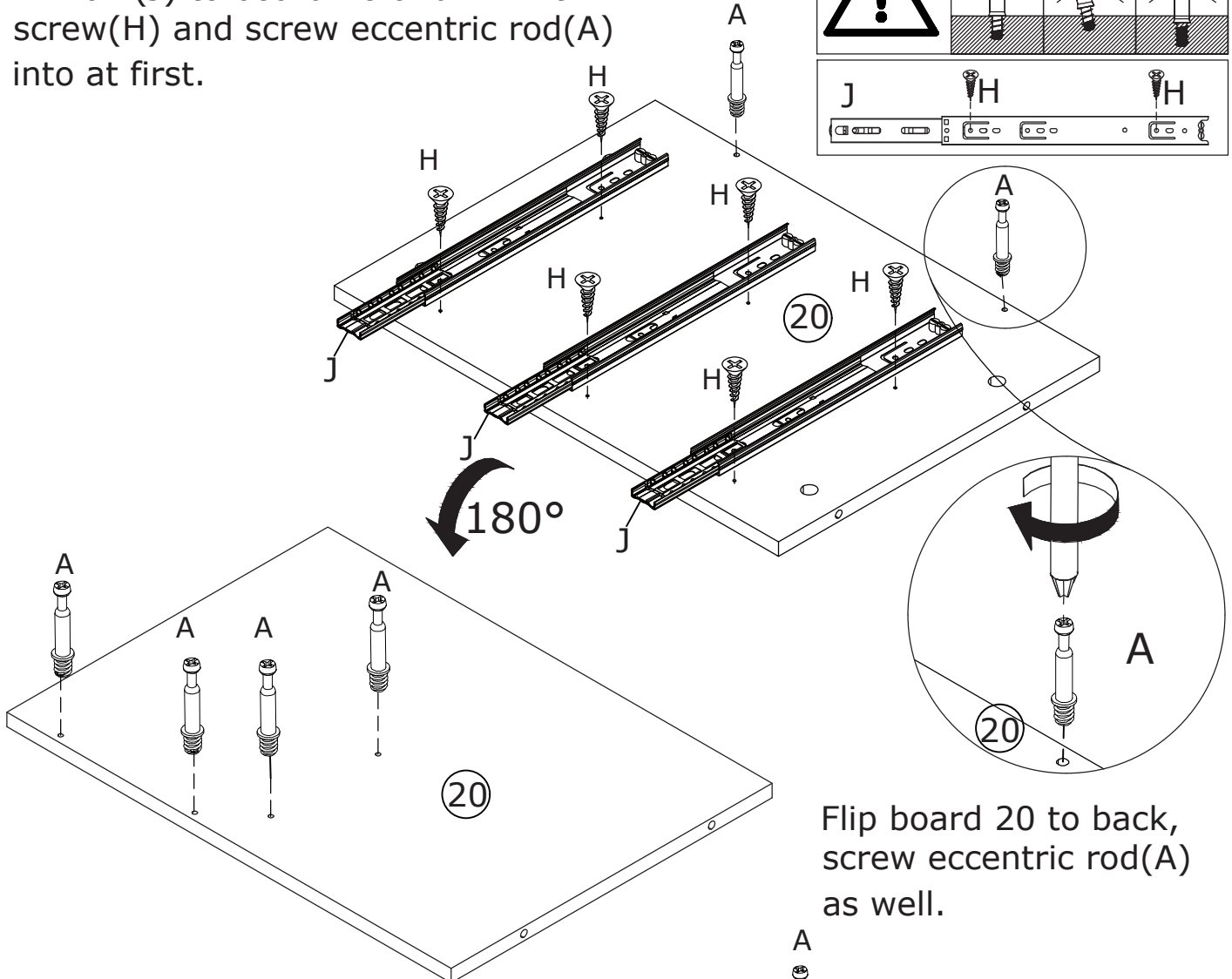
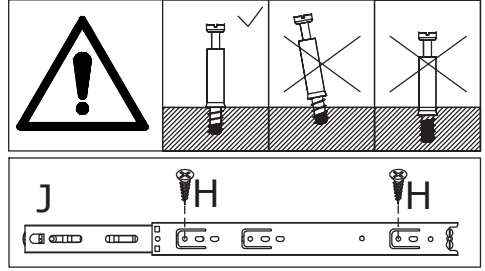


Attach board 18 to board 26, add cam lock(B) into board 18 and turn clockwise to tighten as shown.

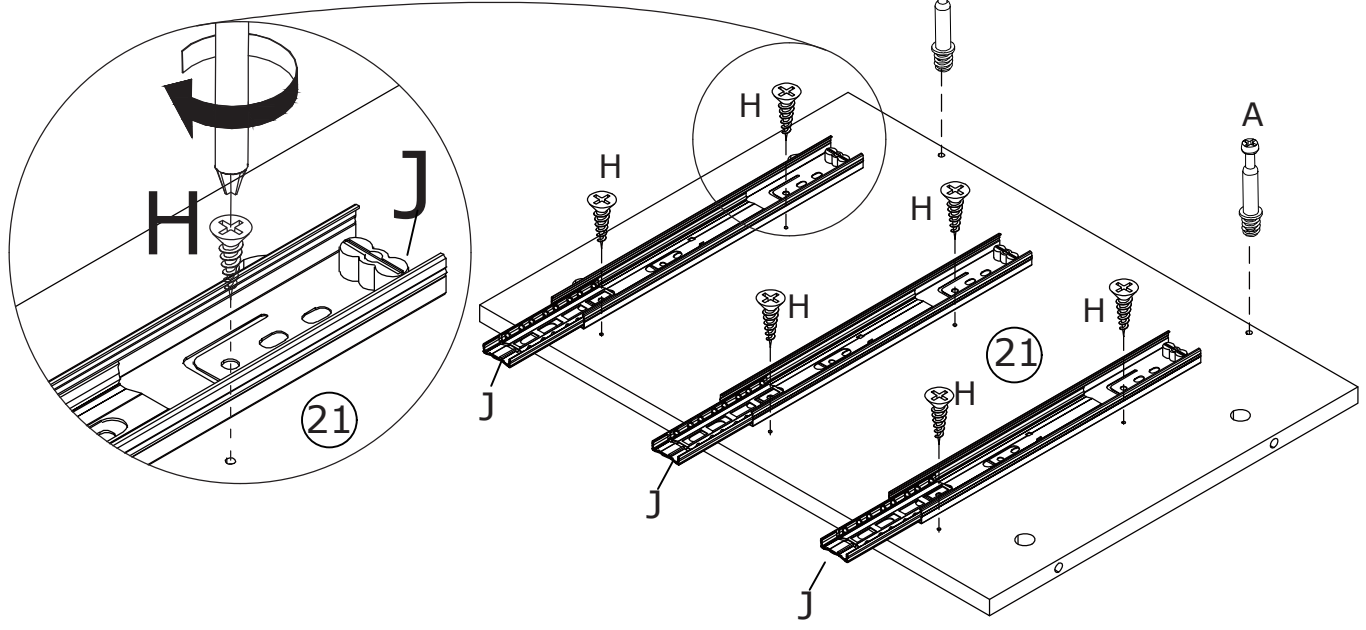
5



Fix rail (J) to board 20 and 21 with screw(H) and screw eccentric rod(A) into at first.

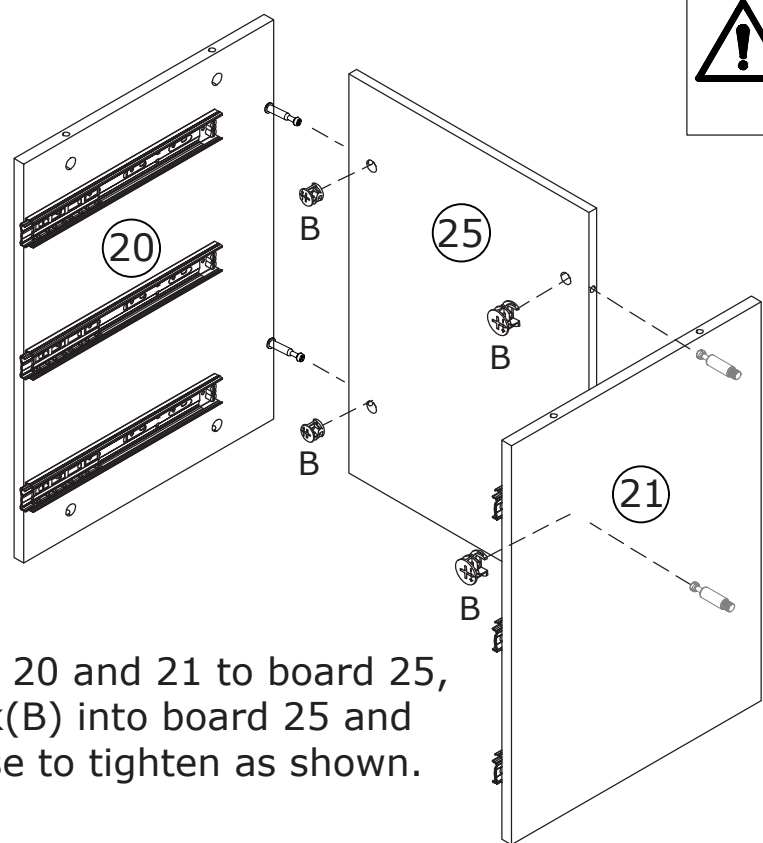
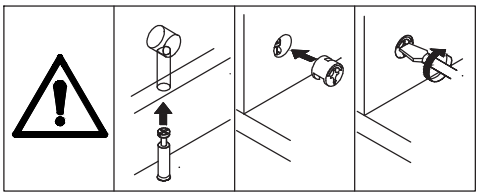
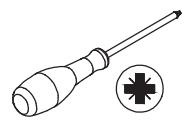


Flip board 20 to back, screw eccentric rod(A) as well.



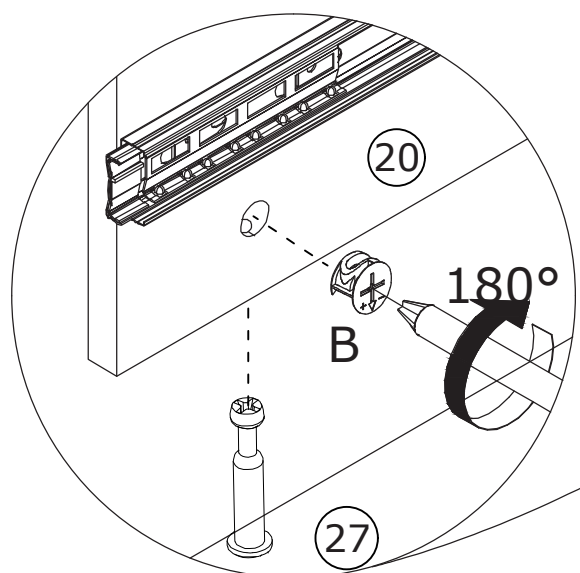
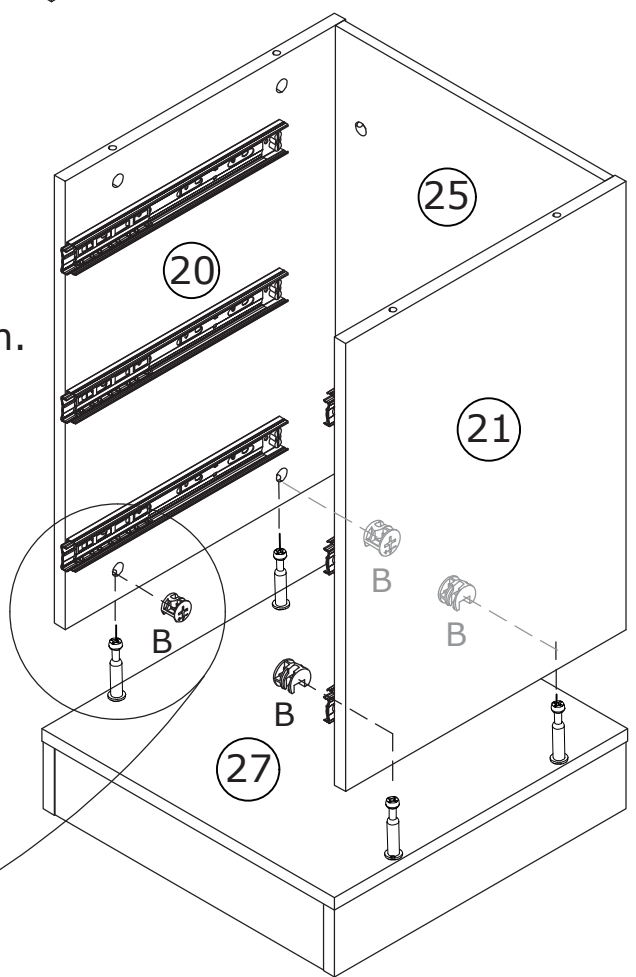
6

B x 8
Ø 15 x 10mm

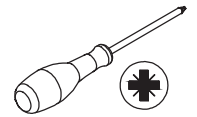
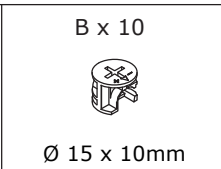
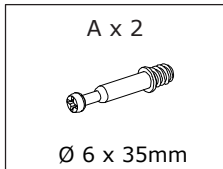


Attach board 20 and 21 to board 25, add cam lock(B) into board 25 and turn clockwise to tighten as shown.

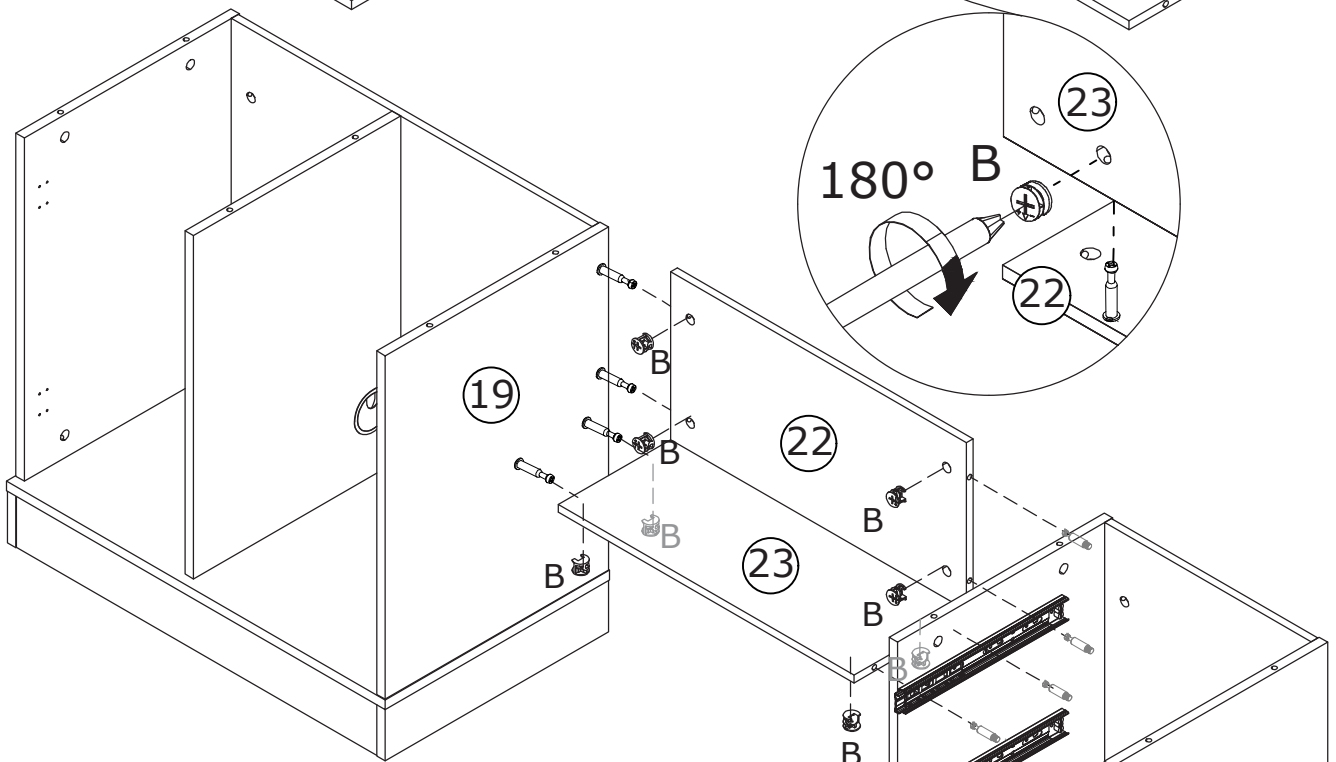
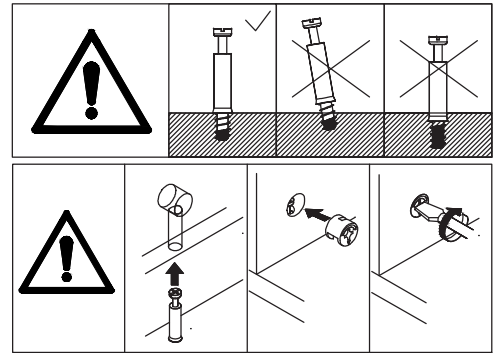
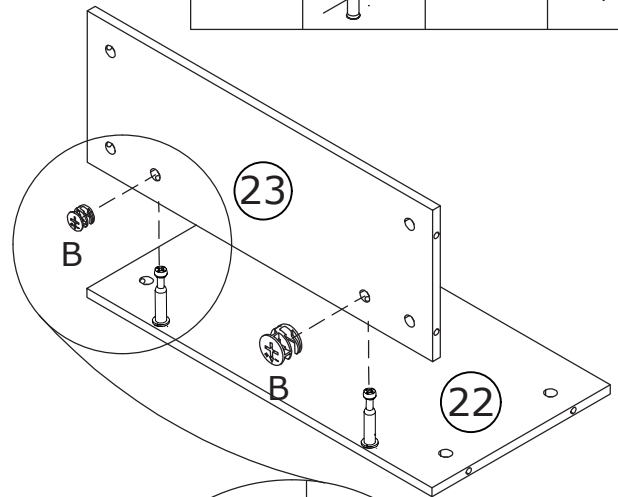
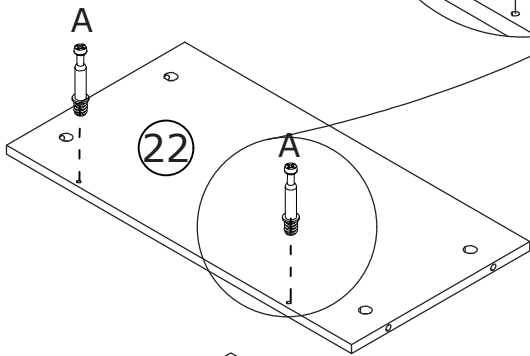
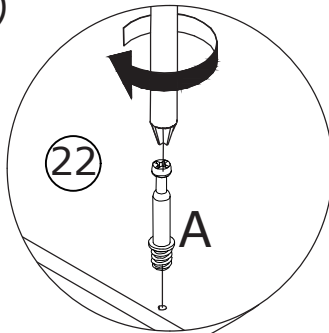
Attach board 20 and 21 to board 27, add cam lock(B) into board 20,21 and turn clockwise to tighten as shown.



7



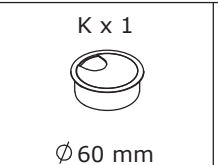
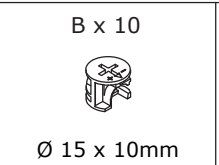
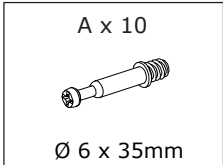
Screw eccentric rod(A)
into board 22 at first.



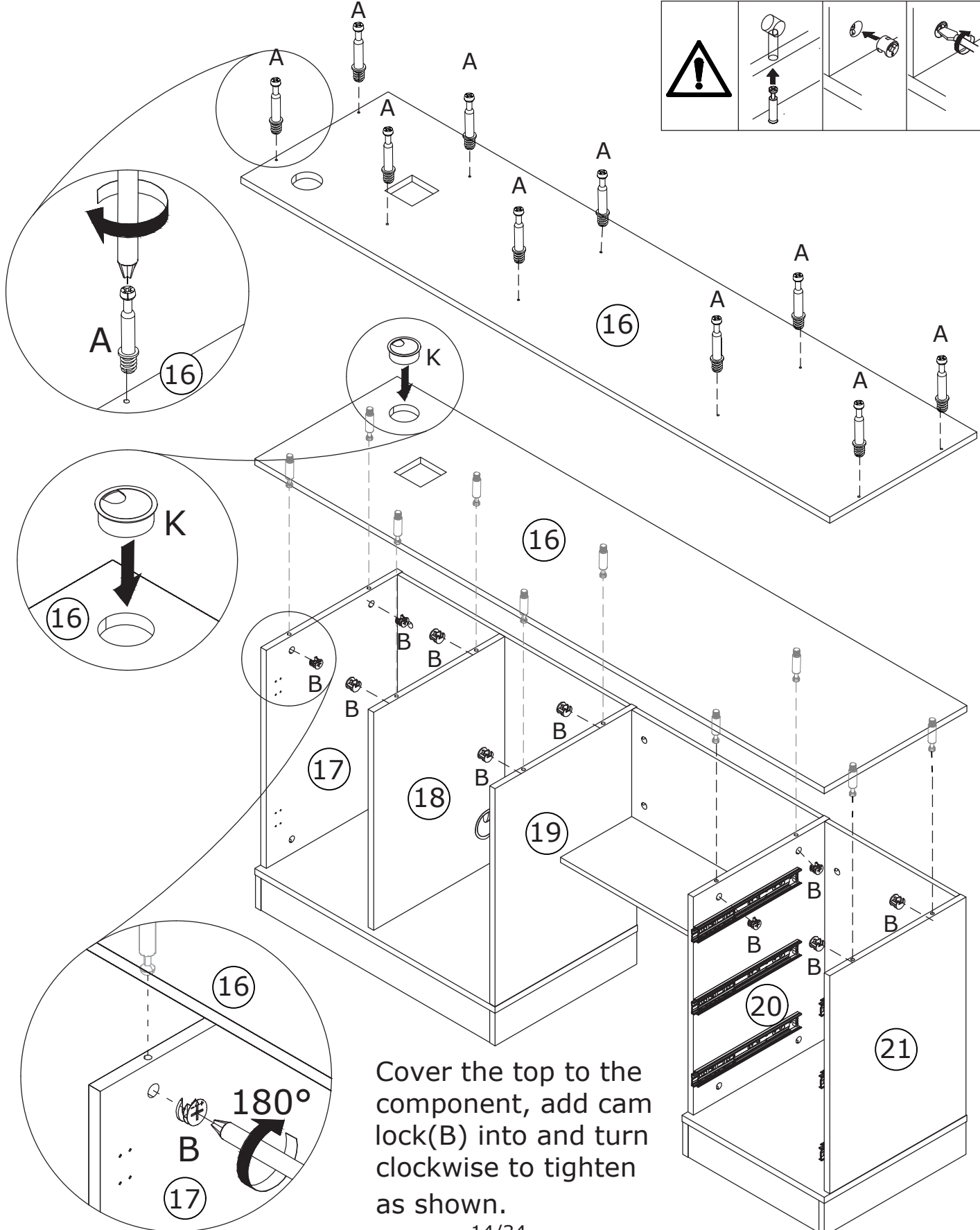
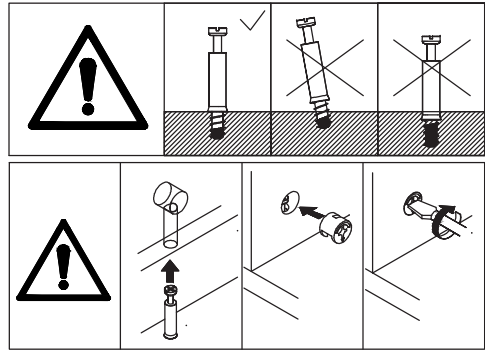
Attach board 23 to board 22, add cam lock(B)
into board 23 and turn clockwise to tighten as
shown.

Connect the two components(assemble in step 4
and 6) to board 22 and 23, add cam lock(B) into
board 22,23 and turn clockwise to tighten as
shown.

8



Screw eccentric rod(A) into board 16 at first.



Cover the top to the component, add cam lock(B) into and turn clockwise to tighten as shown.

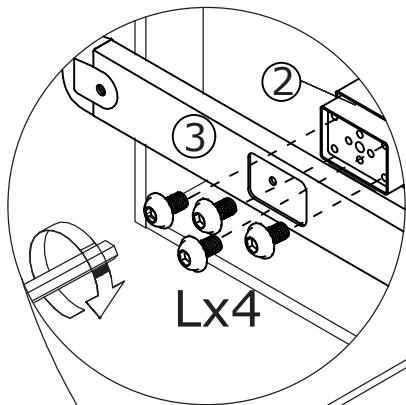
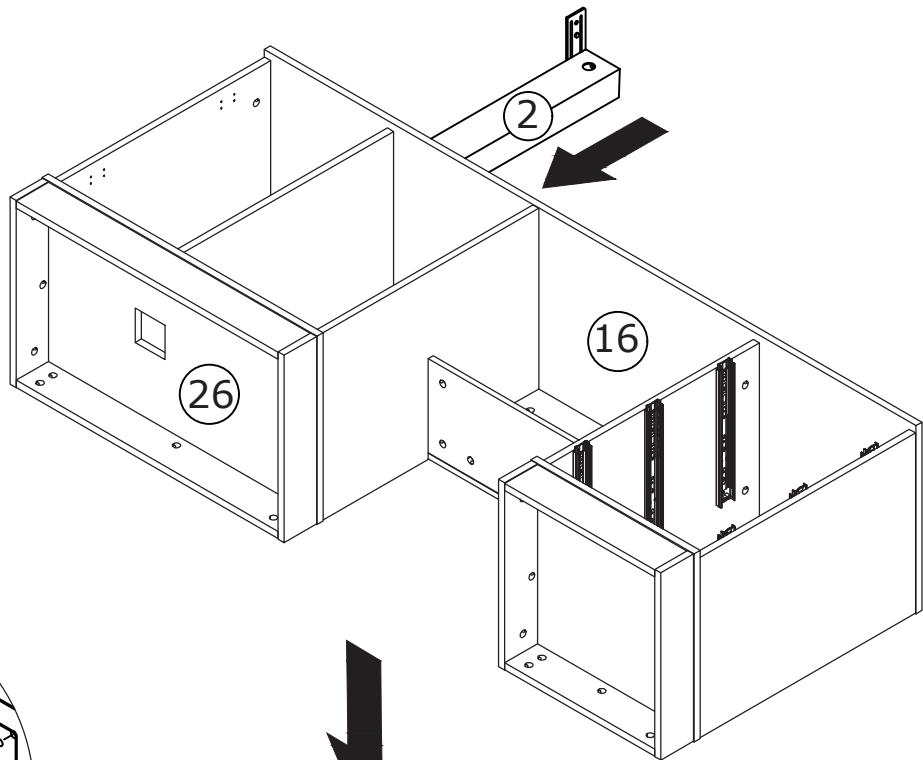
9

L x 4

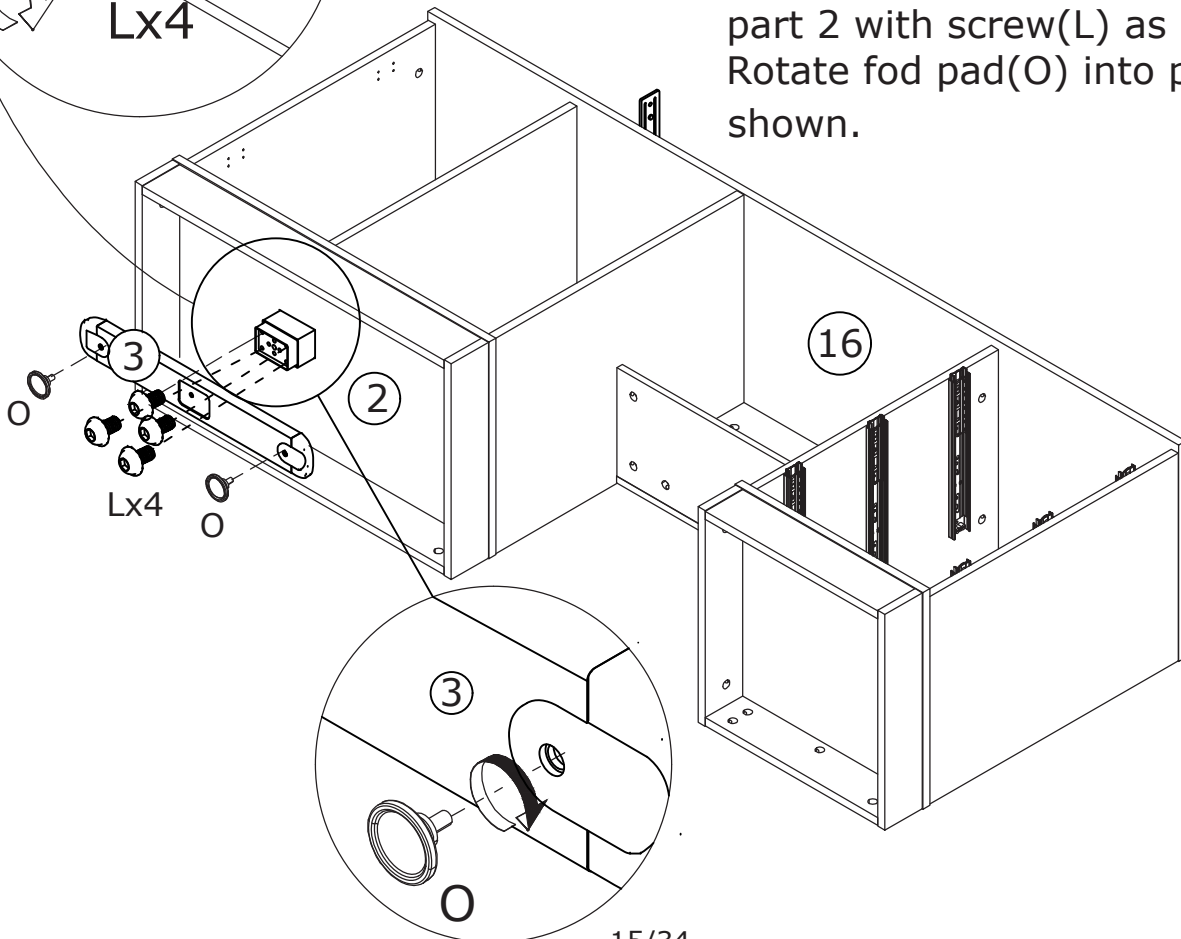


Ø 6 x 12mm

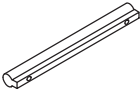

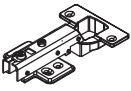

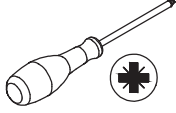
O x 2



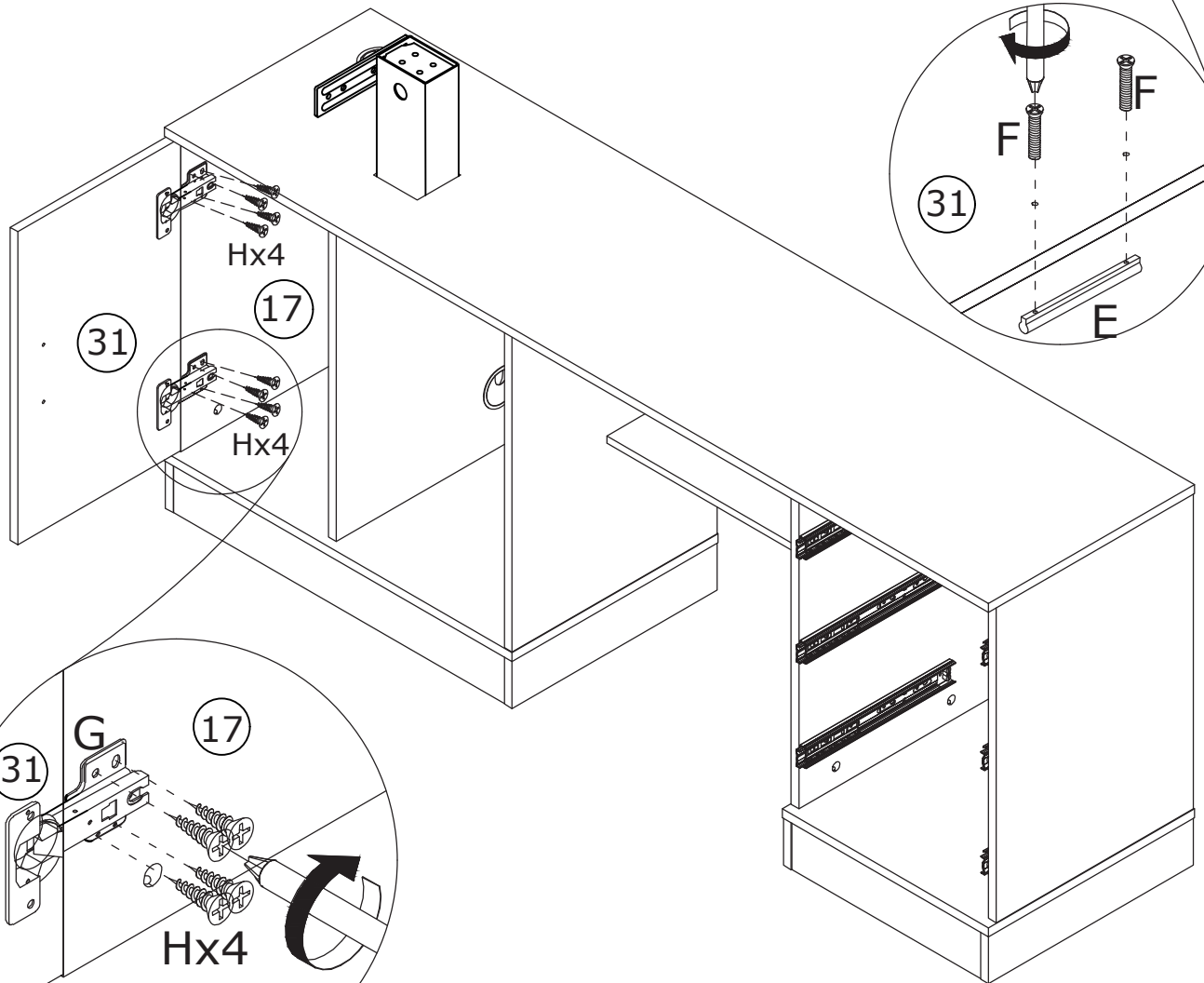
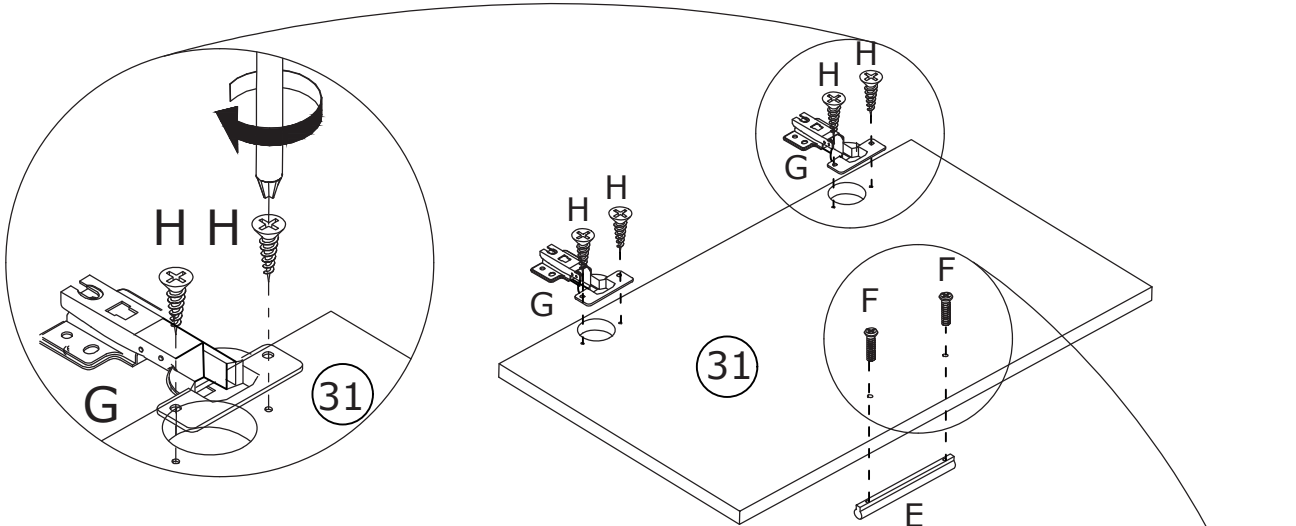
Insert steel part 2 into board 16 and 26 at first, and fix part 3 to part 2 with screw(L) as shown. Rotate fod pad(O) into part 3 as shown.



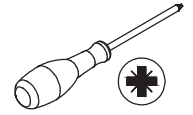
10

| | | | | |
|--|--|--|---|--|
| E x 1  | F x 2  Ø 4 x 18mm | G x 2  | H x 12  Ø 3.5 x 14 mm |  |
|--|--|--|---|--|

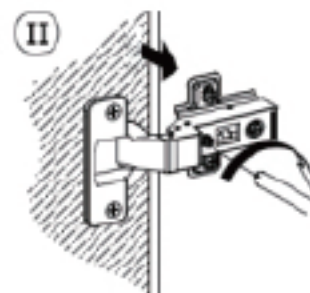
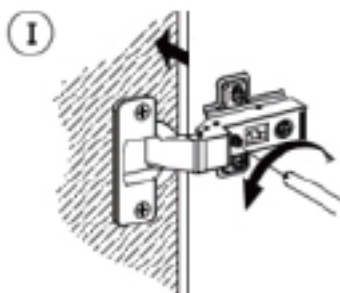
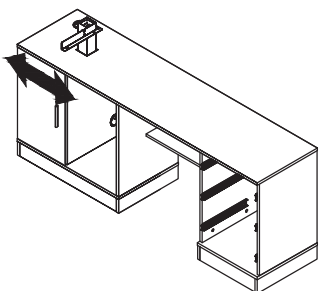
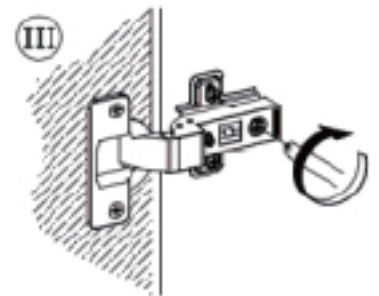
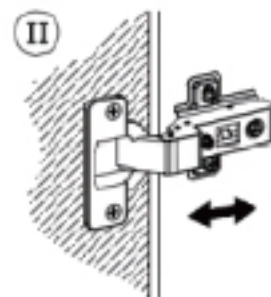
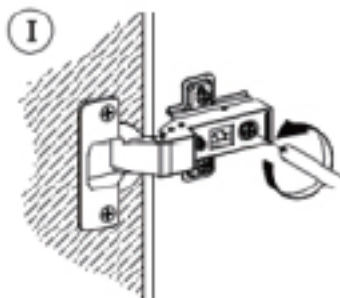
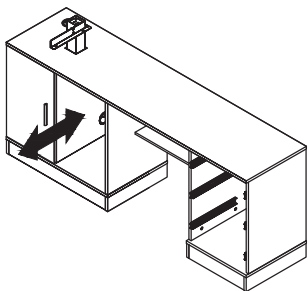
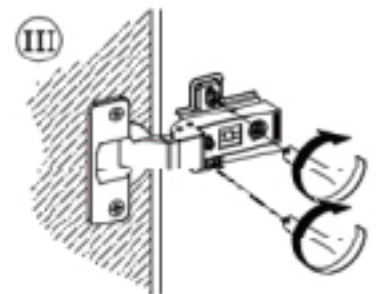
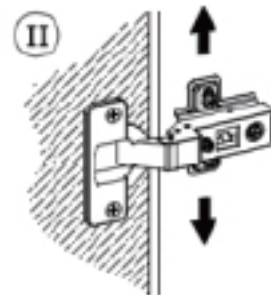
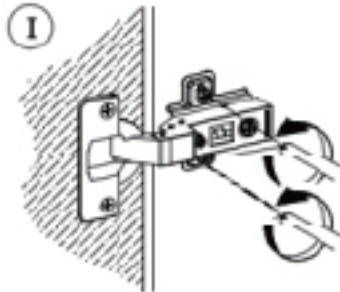
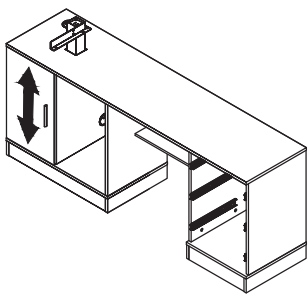
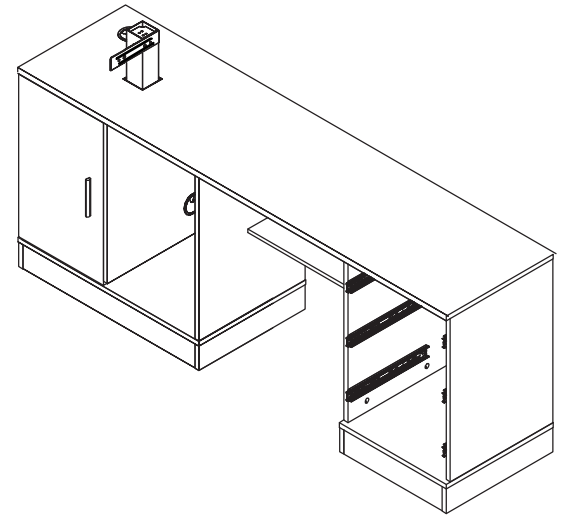
Fix hinge(G) to board 31 with screw(H),
fix handle(E) with screw(F) as shown.



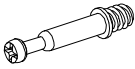

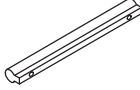

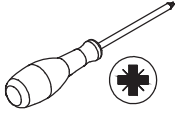
Assemble door 31 to board 17 by fixing
hinge with screw(H) as shown.



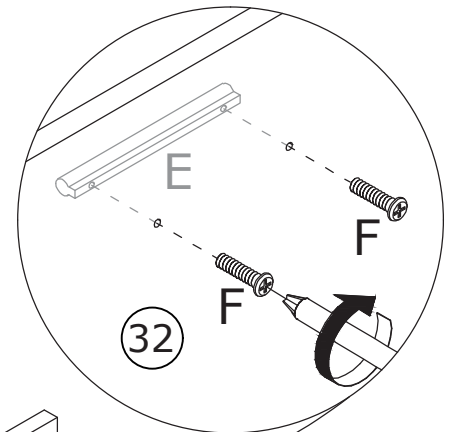
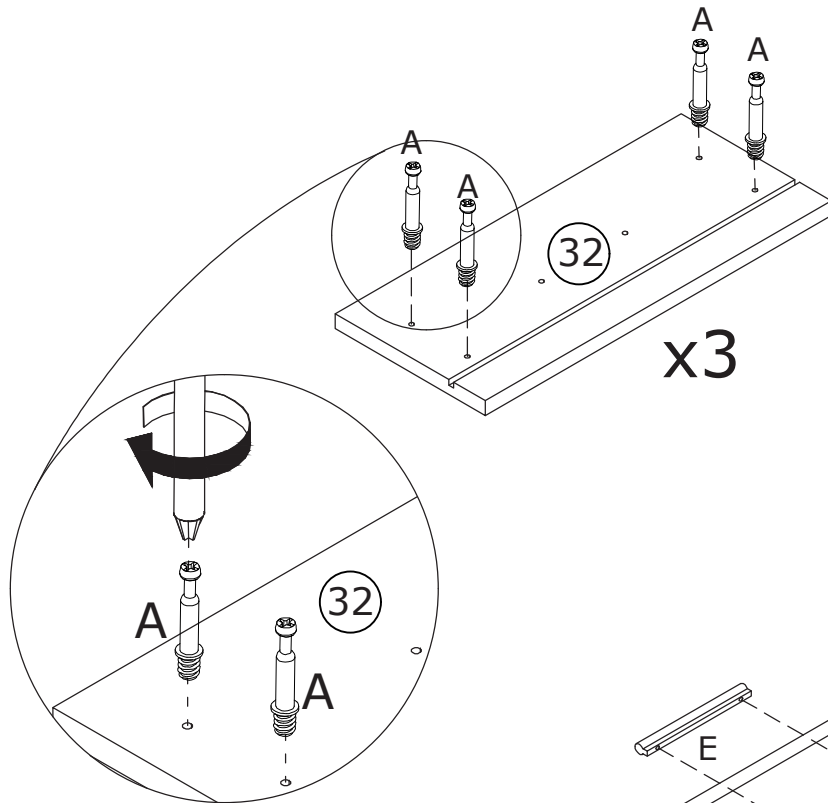
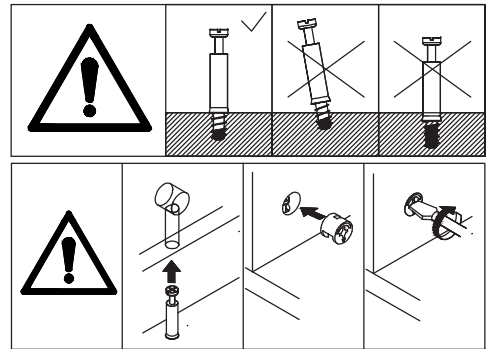
If there is misalignment after you install, adjust the screw to the best condition



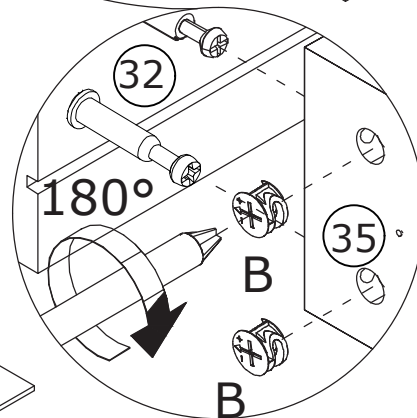
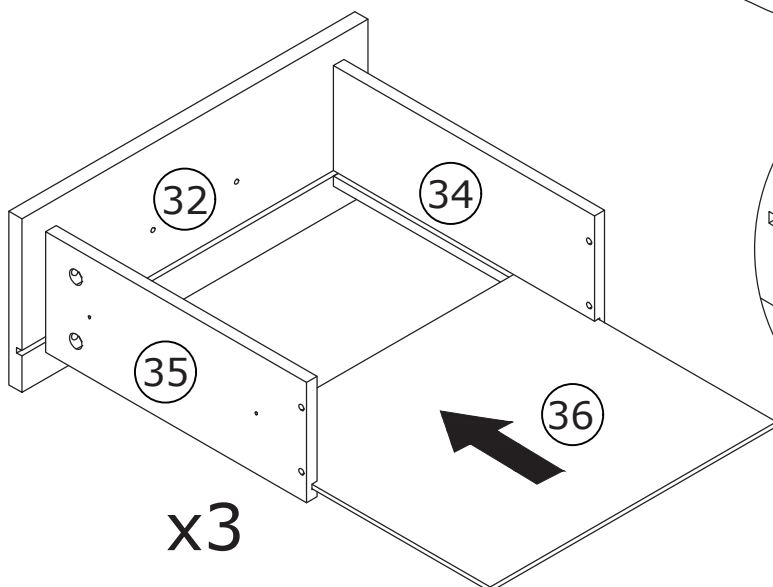
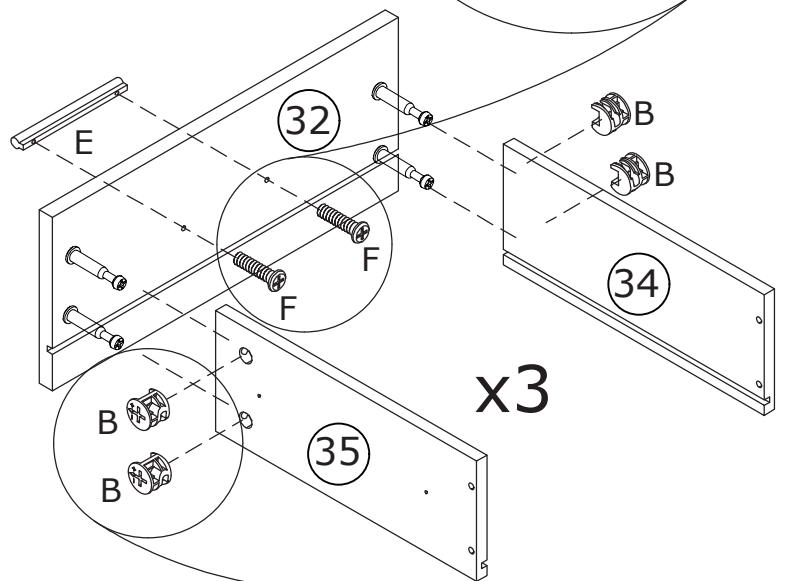
12

| | | | | |
|---|--|--|---|--|
| A x 12  Ø 6 x 35mm | B x 12  Ø 15 x 10mm | E x 3  | F x 6  Ø 4 x 18mm |  |
|---|--|--|---|--|

Screw eccentric rod(A) into board 32, and fix handle(E) with screw(F) at first.

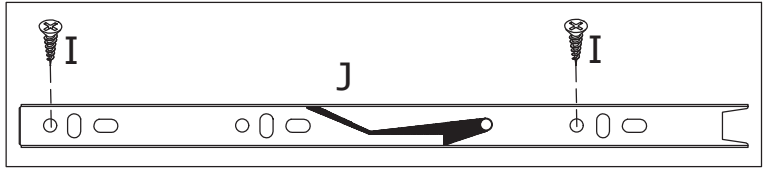
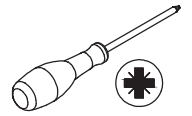
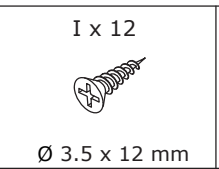
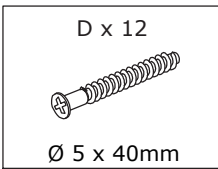


Connect board 35 and 34 to board 32, add cam lock(B) into and turn clockwise to tighten as shown.

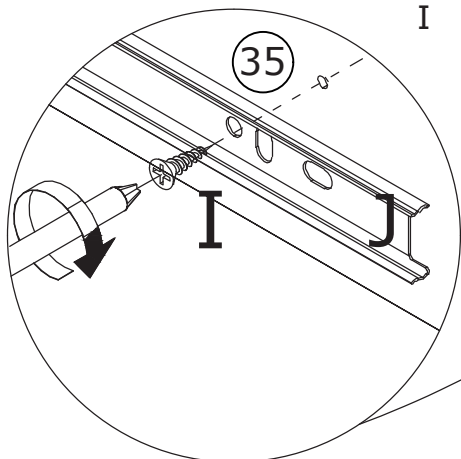
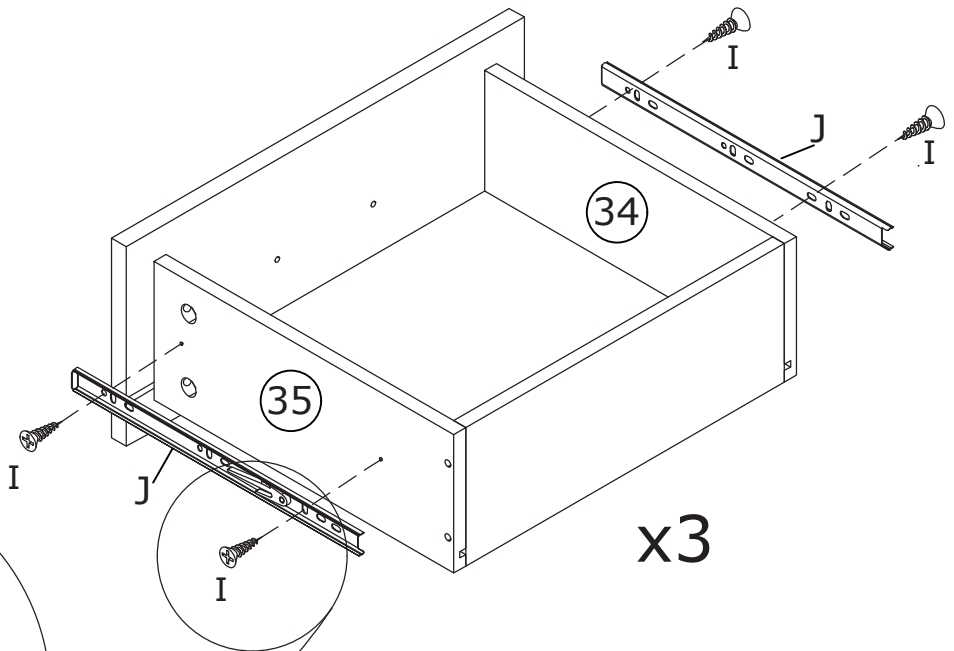
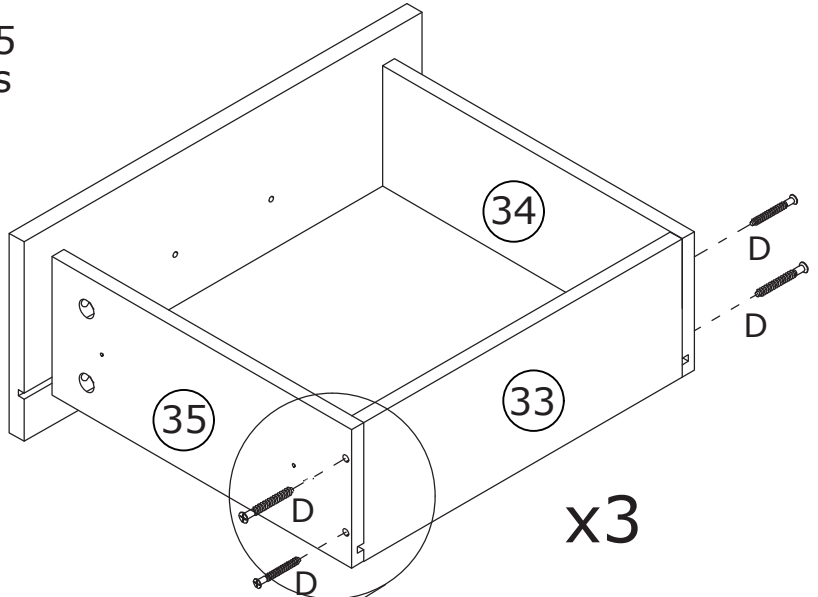
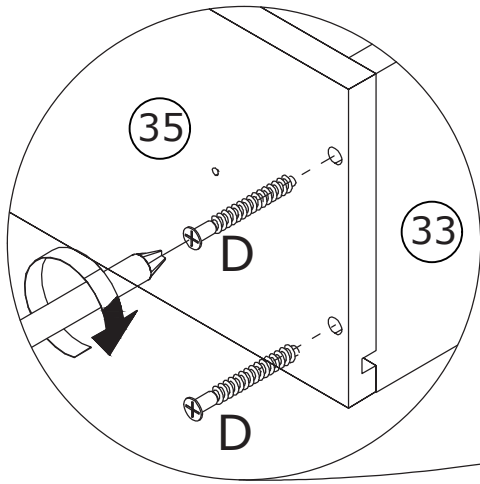


Insert bottom board 36 along available grooves as shown.

13

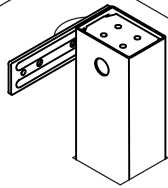
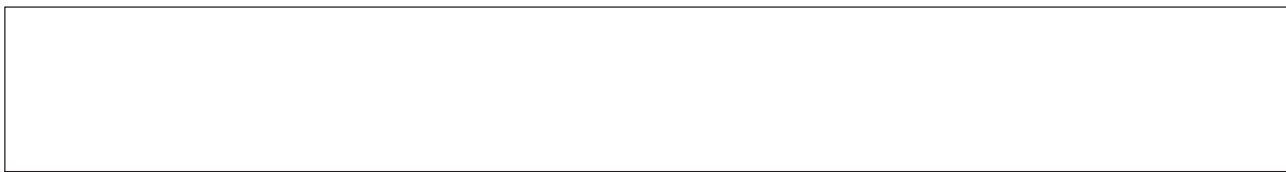


Fix board 33 to board 35 and 34 with screw(D) as shown.

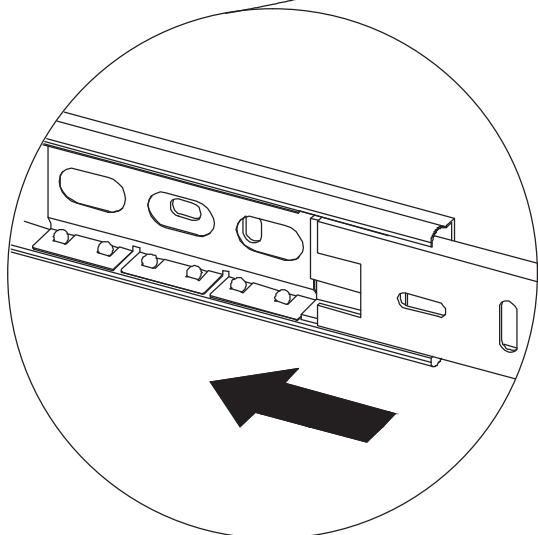
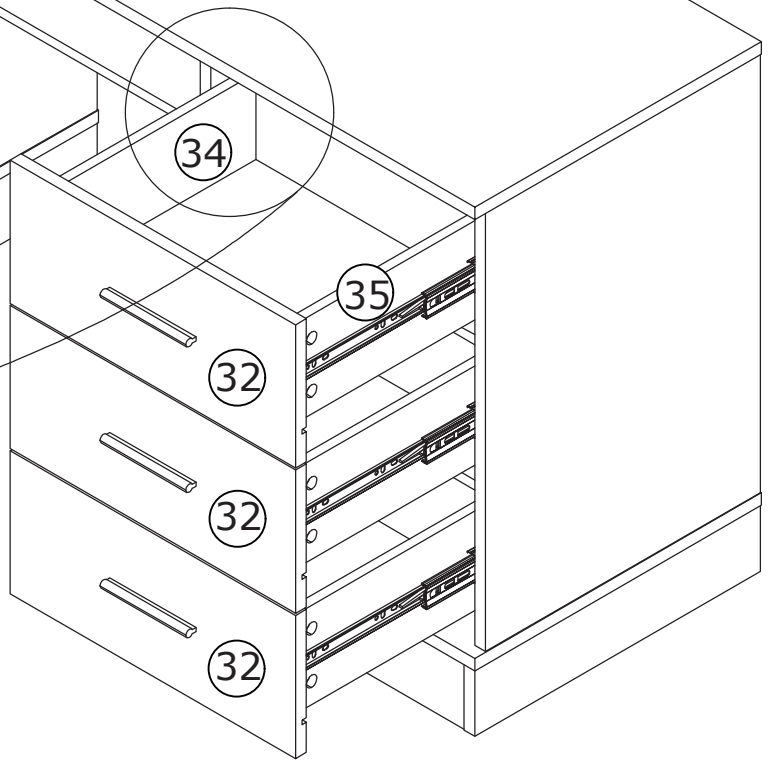
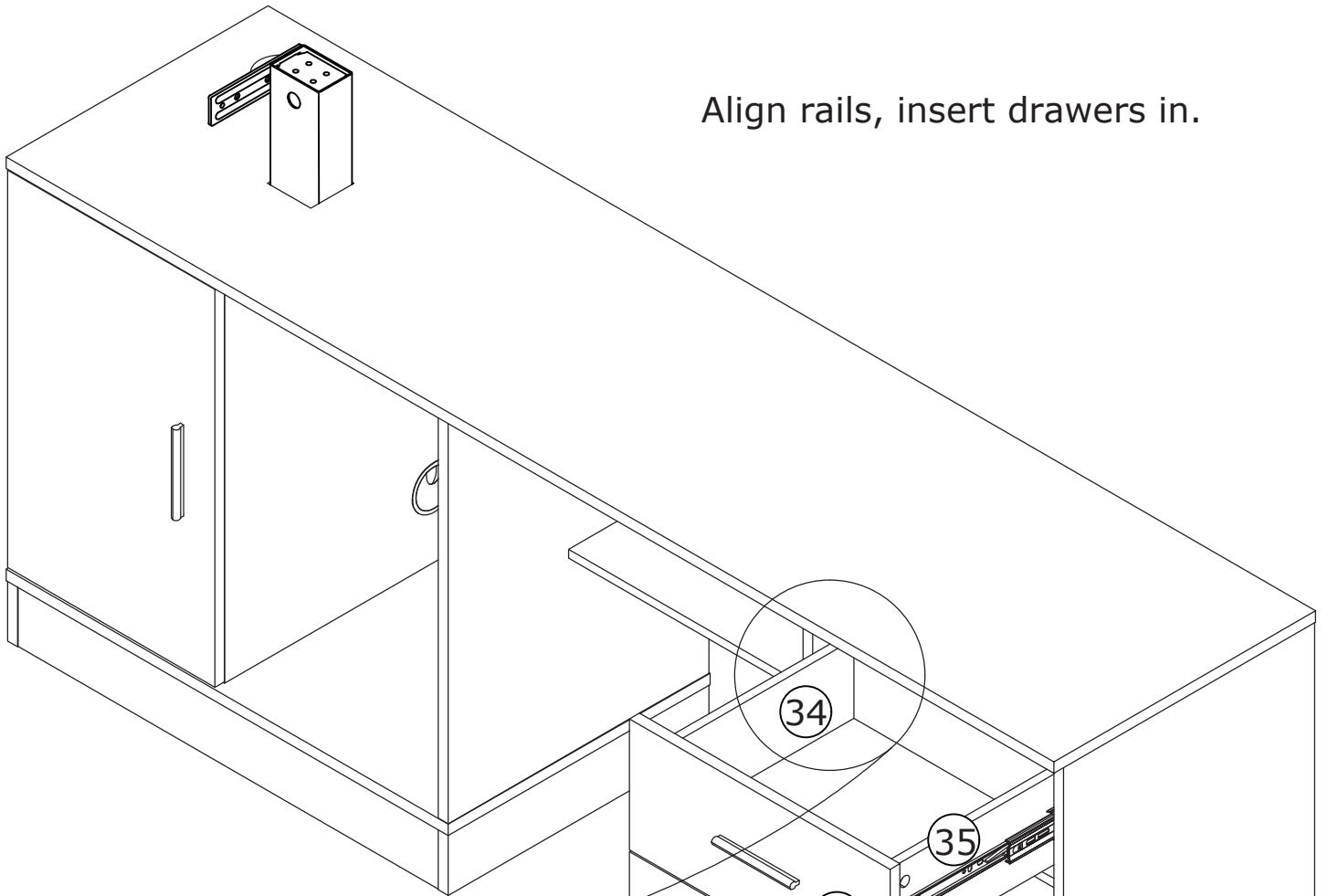


Fix runner (J) to board 35 and 34 with screw(I) as shown.

14

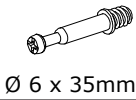


Align rails, insert drawers in.



15

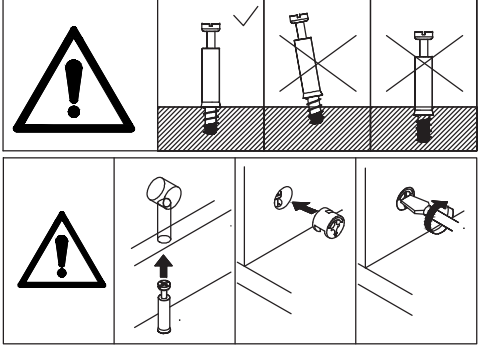
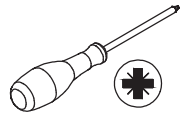
A x 6



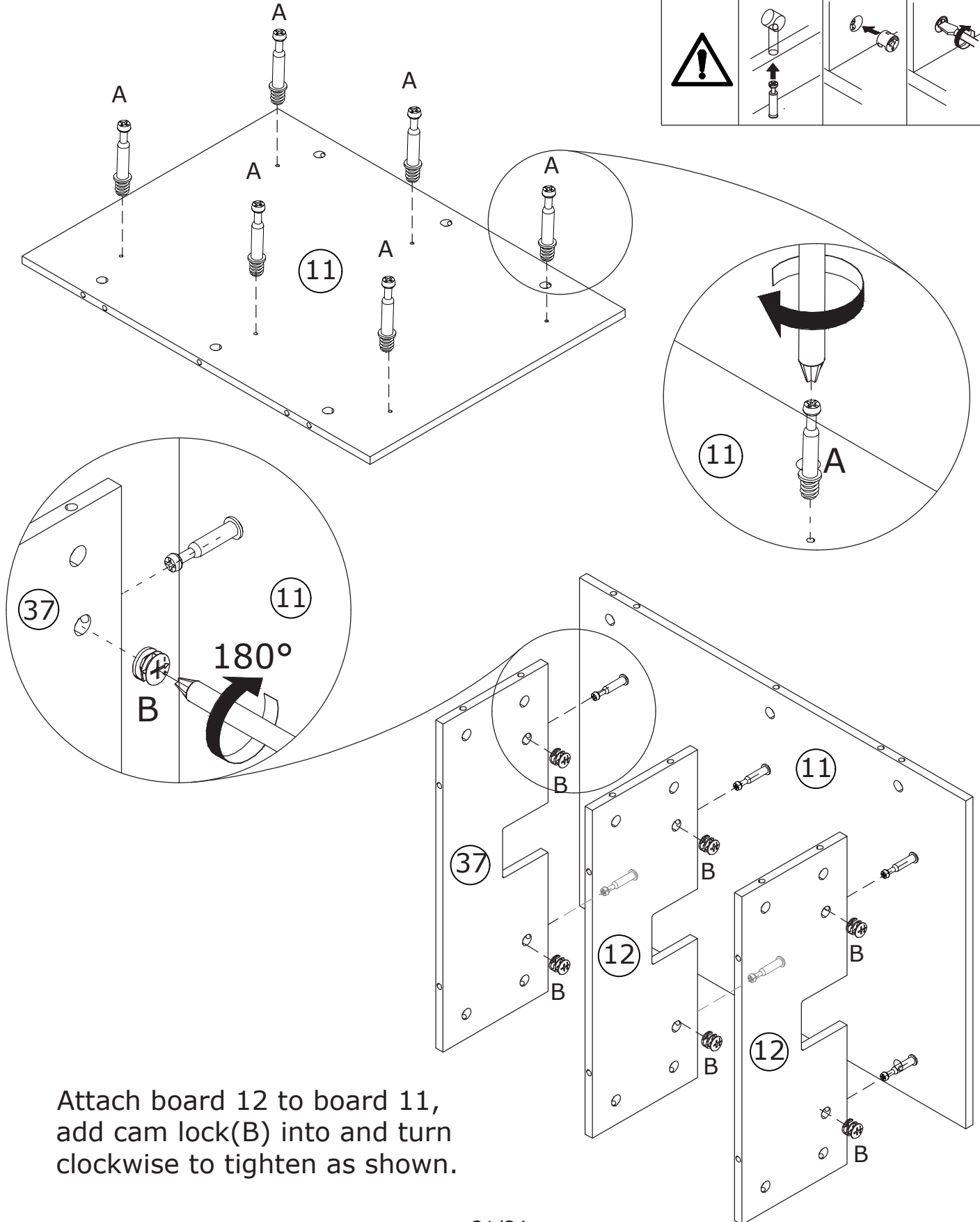
B x 6



Ø 15 x 10mm



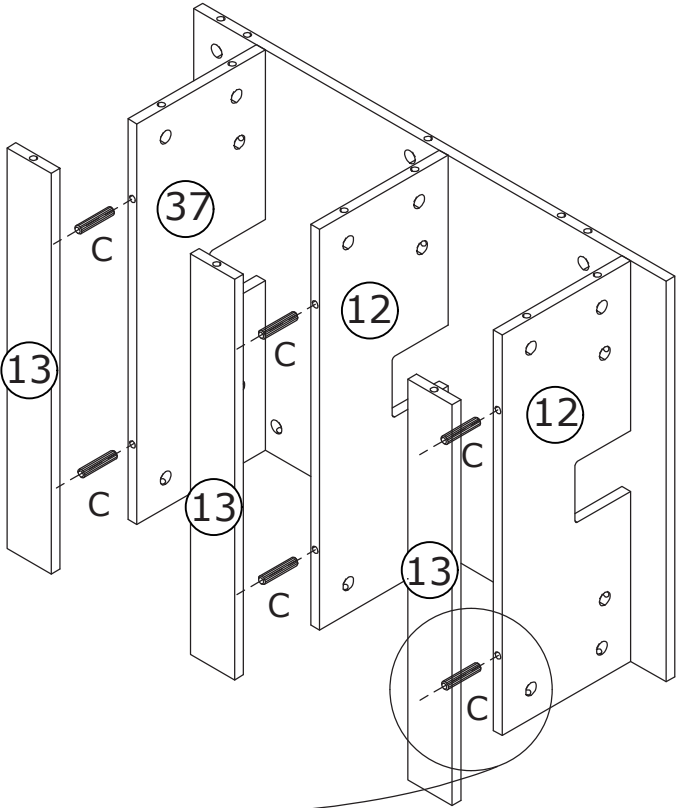
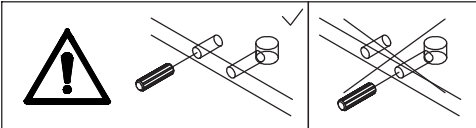
Screw eccentric rod(A) into board 11 at first.



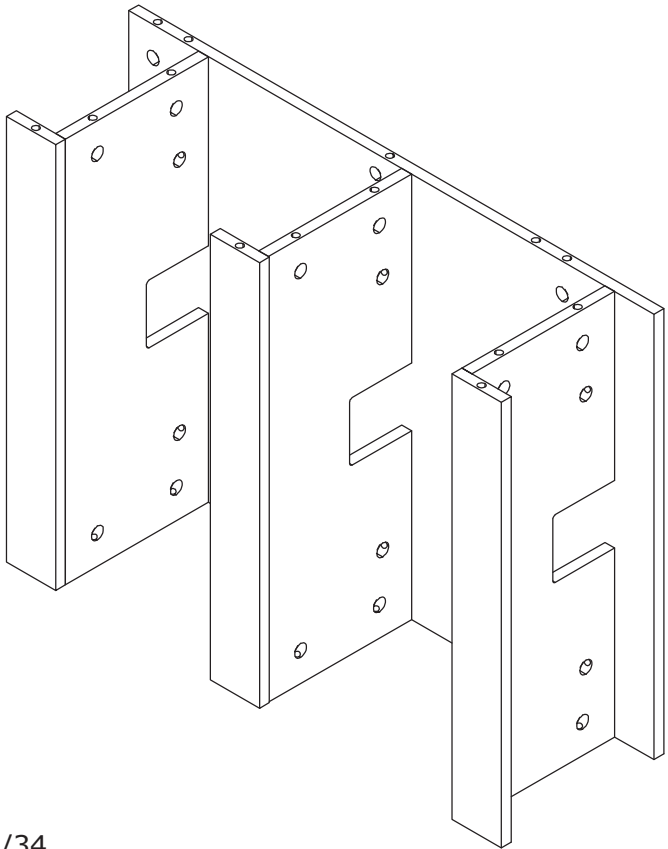
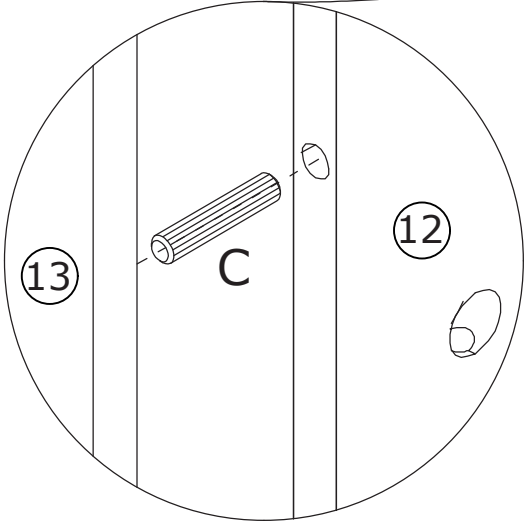
Attach board 12 to board 11,
add cam lock(B) into and turn
clockwise to tighten as shown.

16

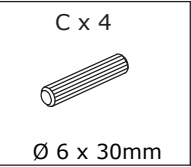
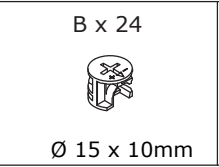
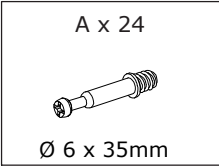
C x 6
Ø 6 x 30mm



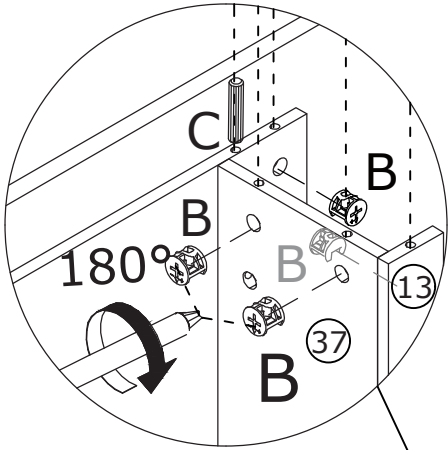
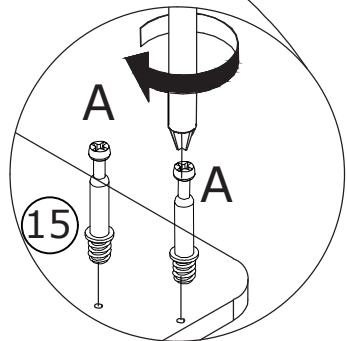
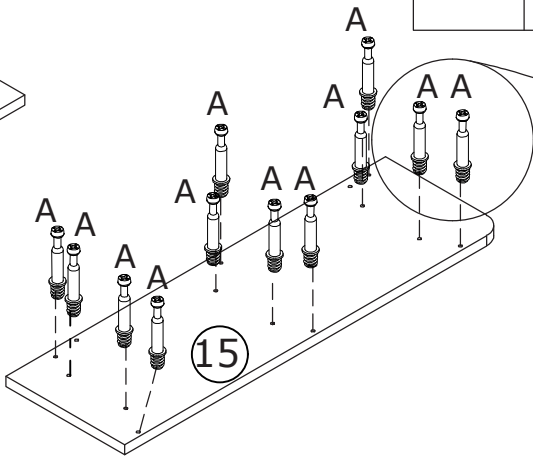
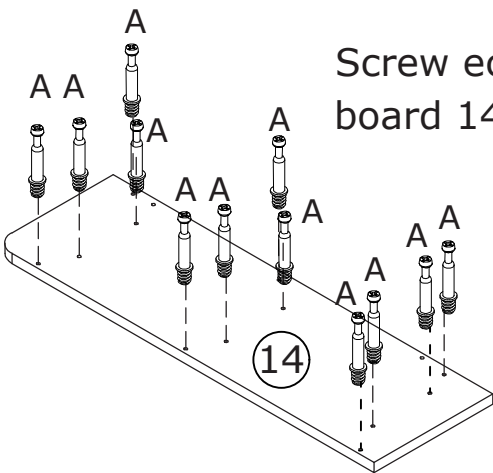
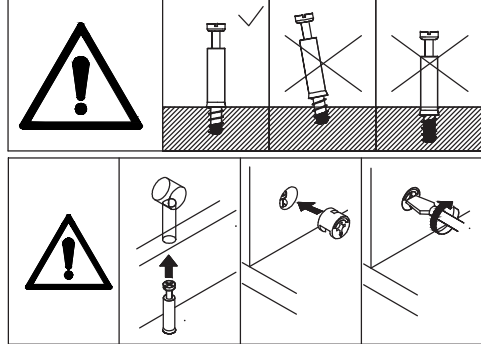
Attach board 13 to board 12 using wooden dowel(C) as shown.



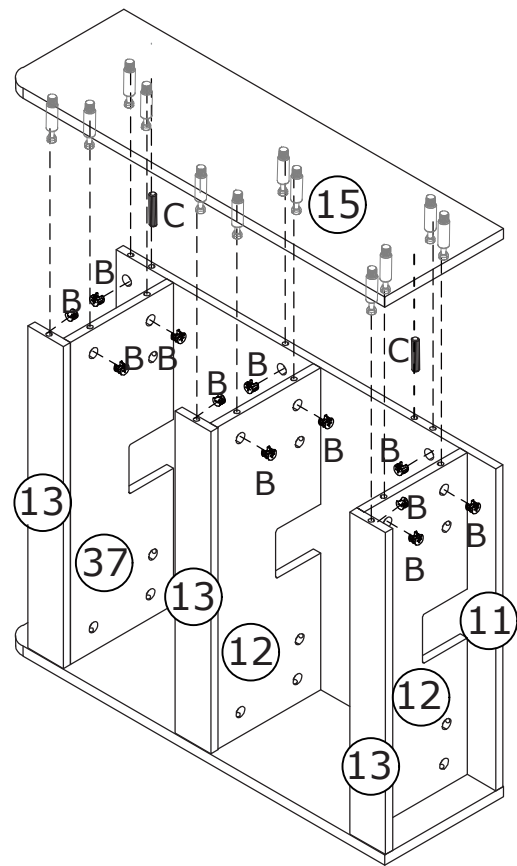
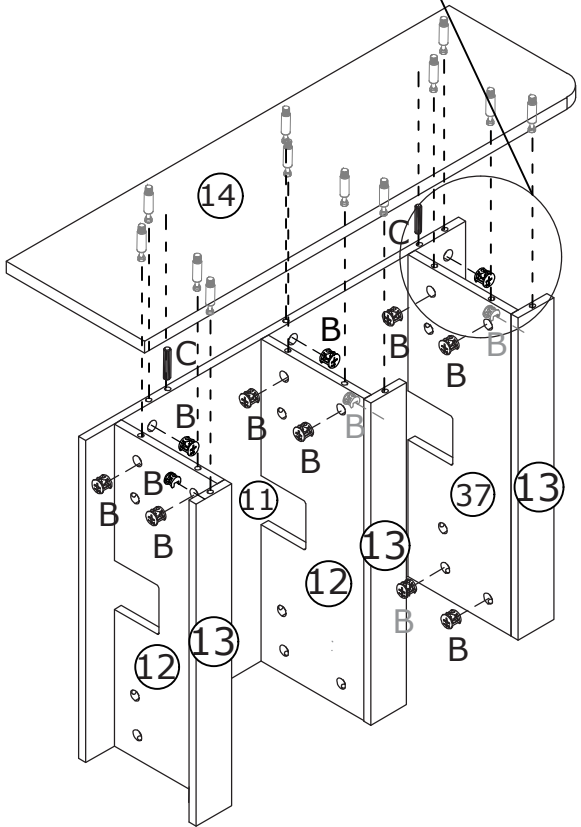
17



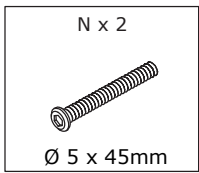
Screw eccentric rod(A) into board 14 and 15 at first.



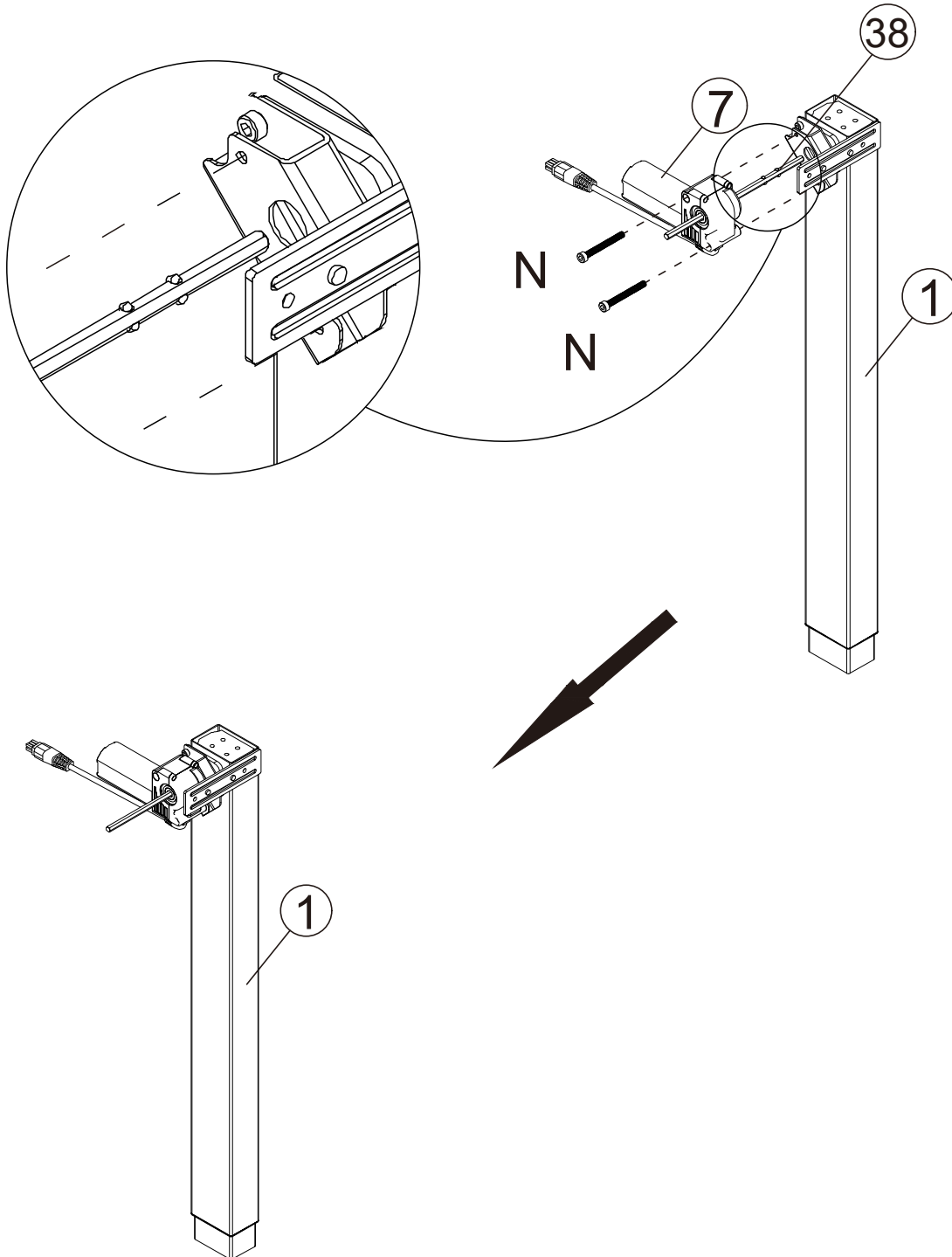
Attach board 14 and 15 to board 11, 12 and 13 using wooden dowel(C), add cam lock(B) into and turn clockwise to tighten.



18



Fix part 7 and 38 to part 1 with screw (N) .
Insert long part 38 into the component,
then tighten screw(N) as shown.



19

L x 4

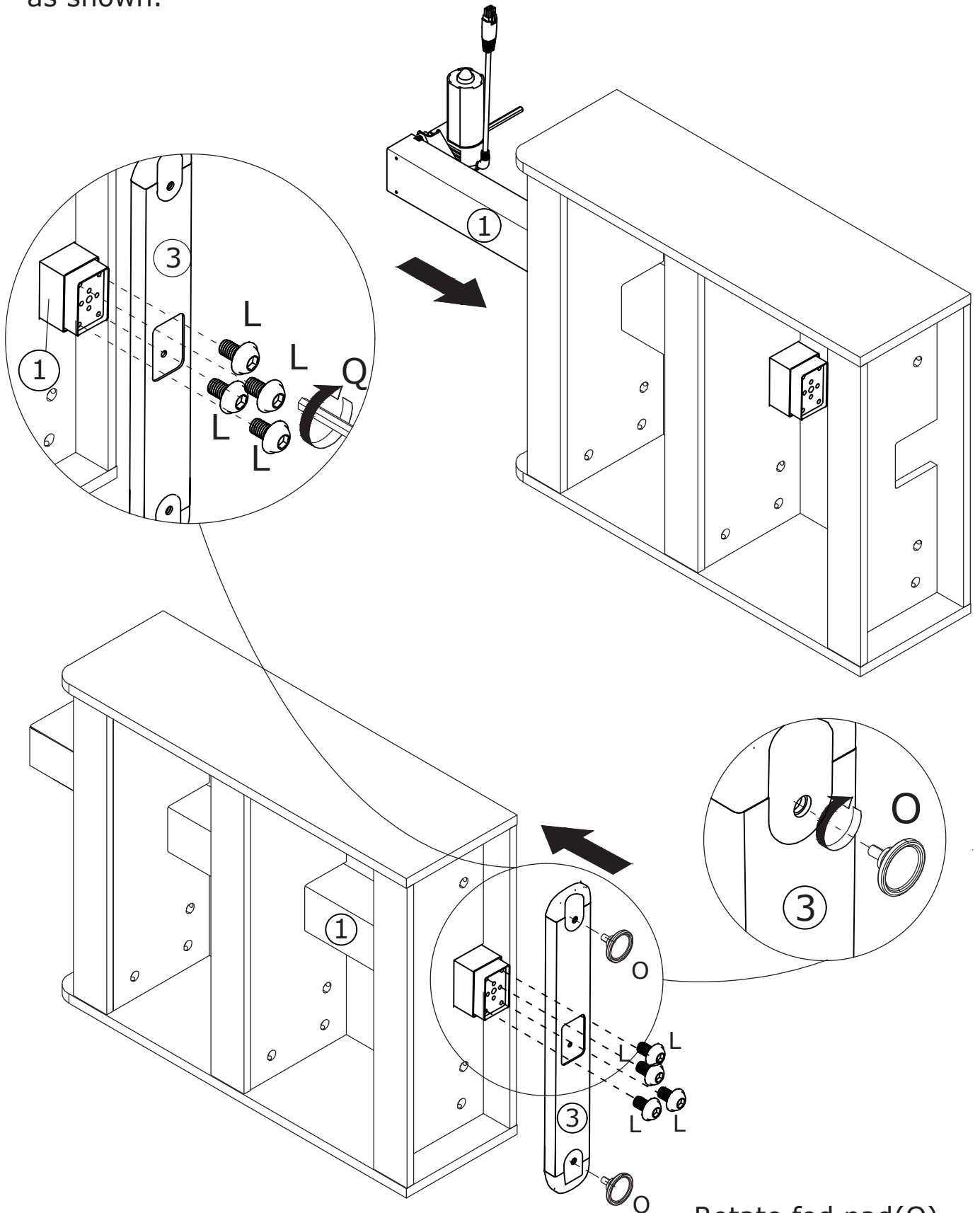


Ø 6 x 12mm

O x 2



Insert steel part 1 into board 12 at first,
and fix part 3 to part 1 with screw(L)
as shown.



Rotate fod pad(O)
into part 3 as shown.

20

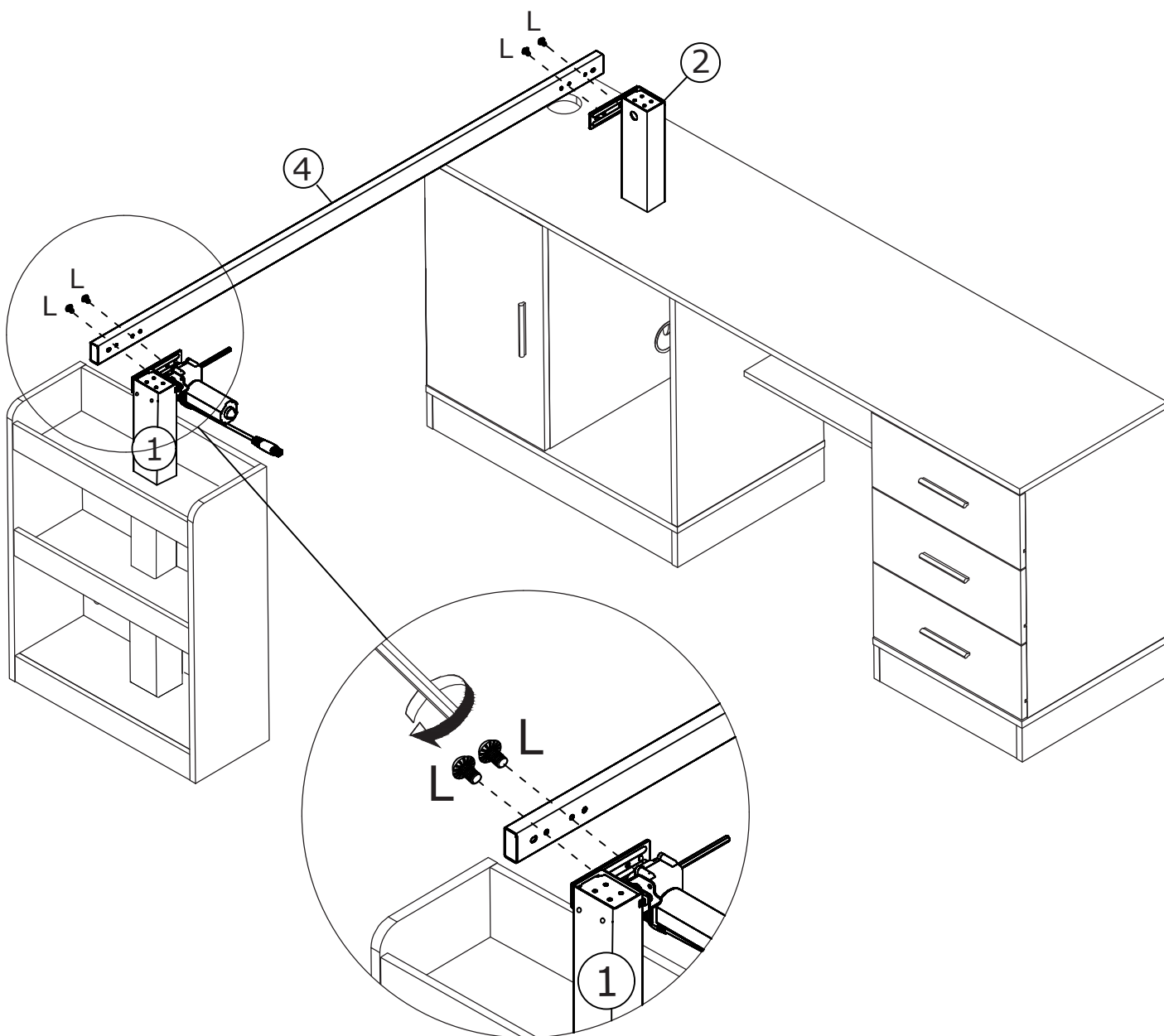
L x 4



Ø 6 x 12mm



Fix part 4 to part 1 and 2 with screw(L) as shown.



21

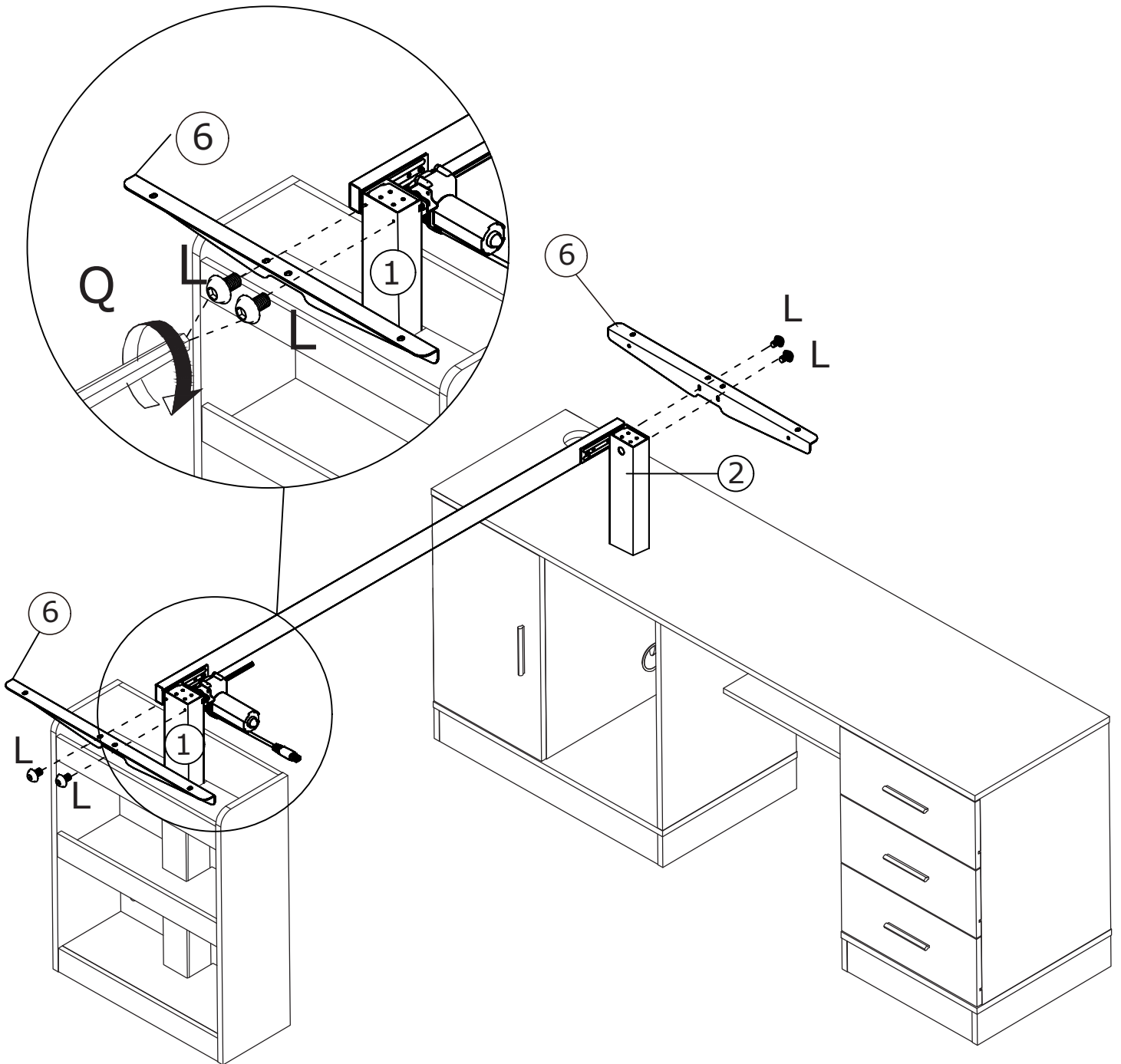
L x 4

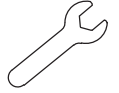


Ø 6 x 12mm

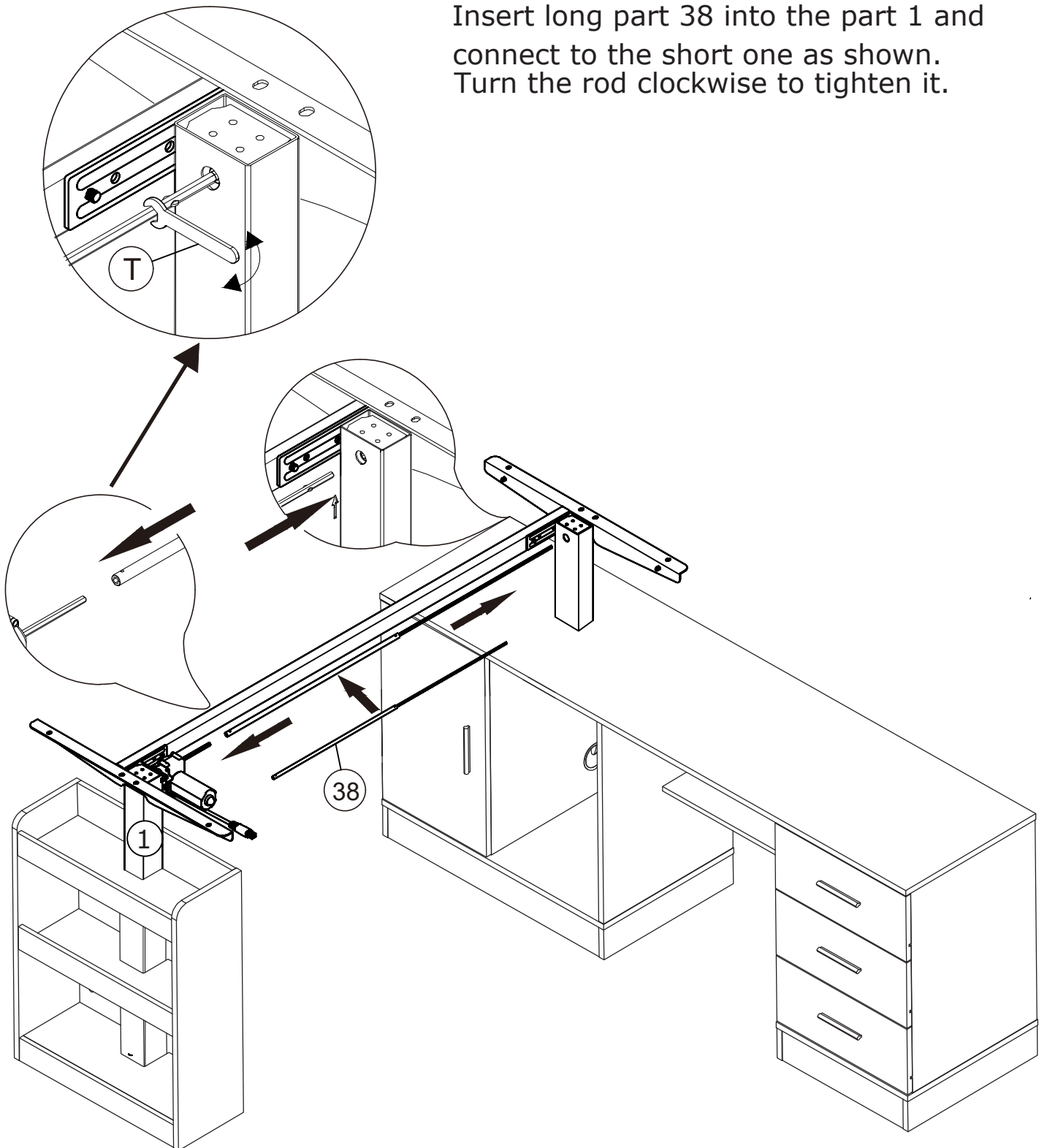


Fix part 6 to part 1 and part 2 with screw(L) as shown.





Insert long part 38 into the part 1 and connect to the short one as shown. Turn the rod clockwise to tighten it.

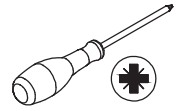


23

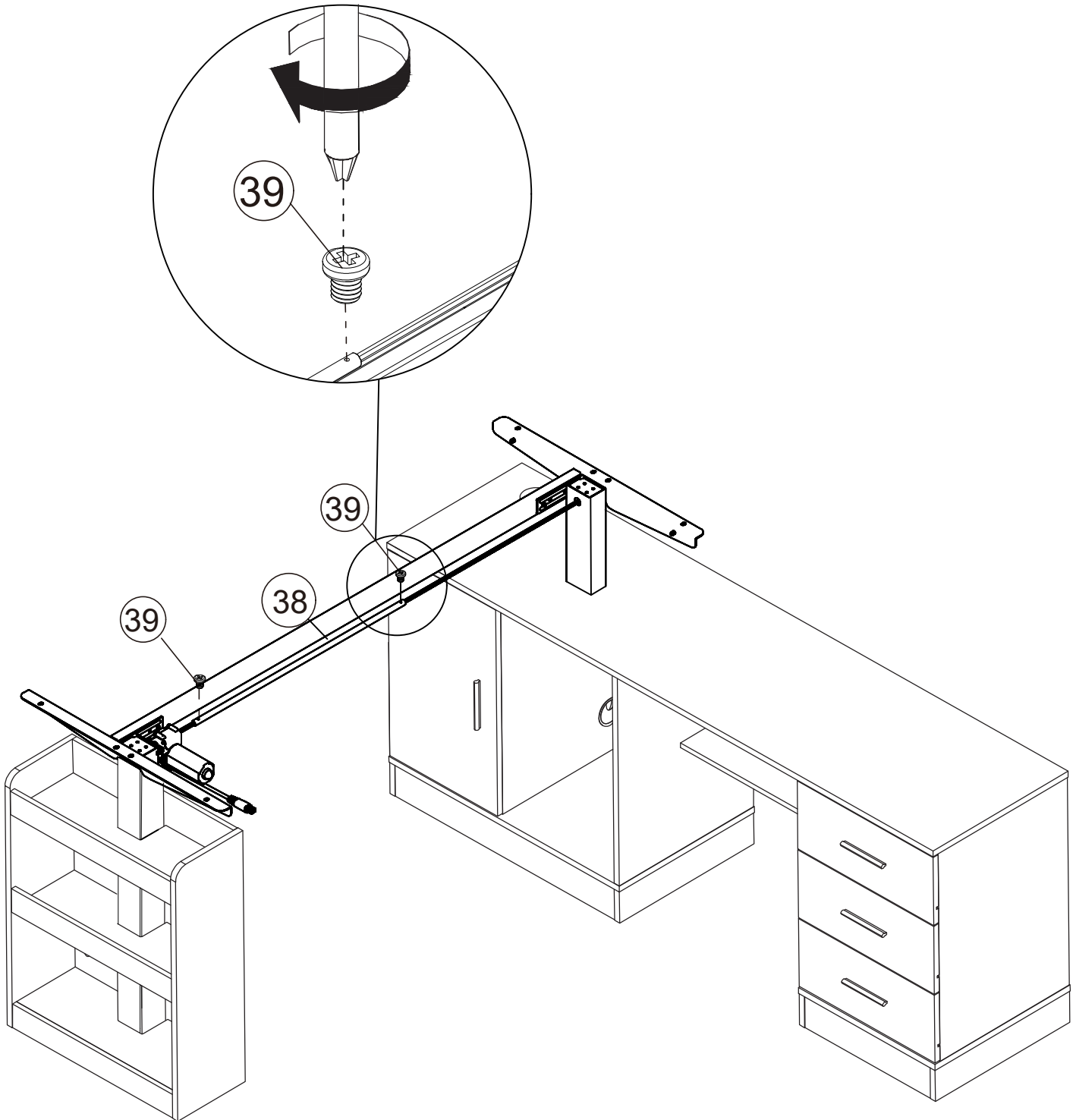
39 x 2



Ø 4 x 4mm



Fix part 38 with screw(39) as shown.



24

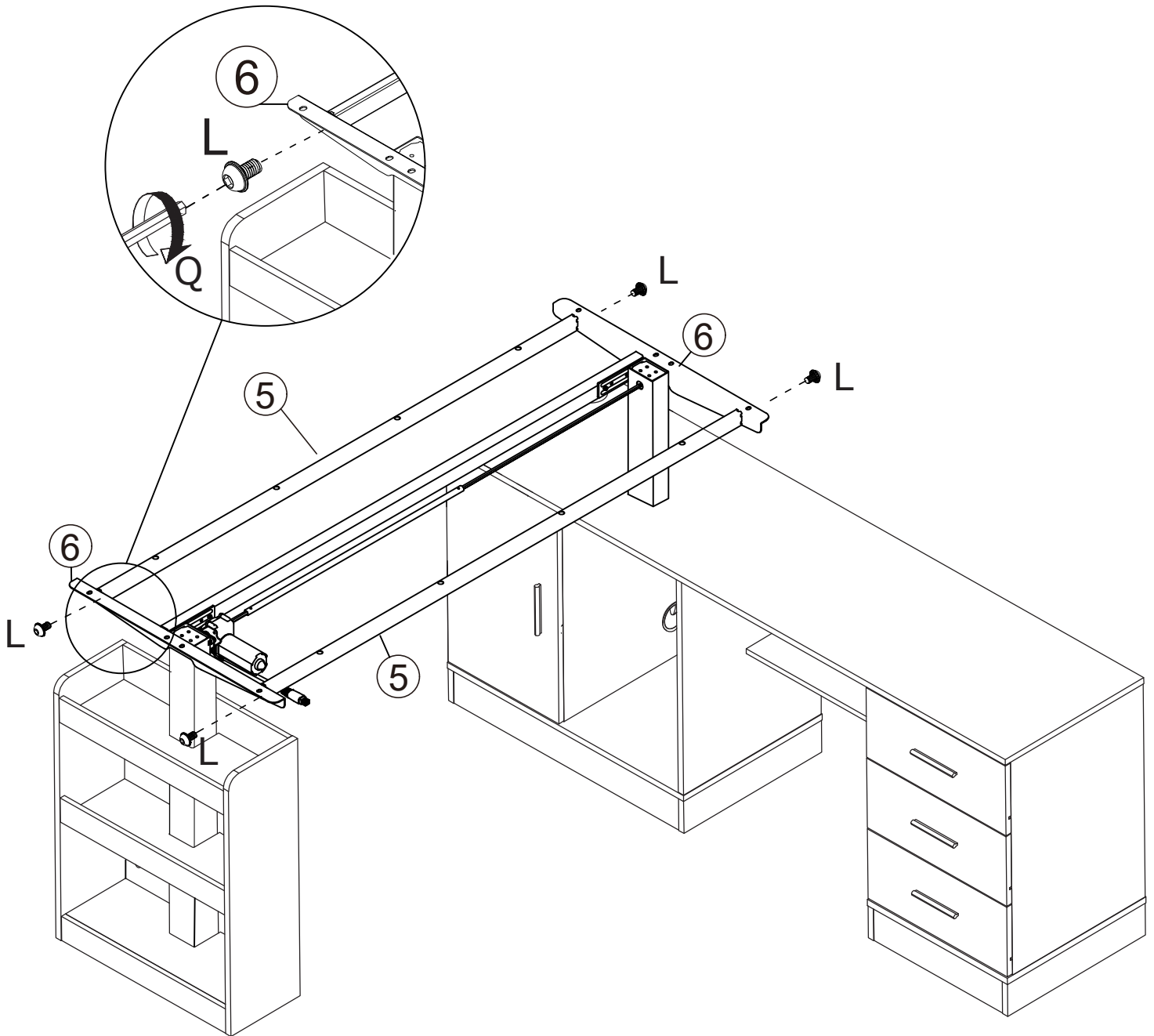
L x 4



Ø 6 x 12mm



Assemble part 5 to part 6 using screw (L) as shown.



26

L x 8



Ø 6 x 12mm

M x 8

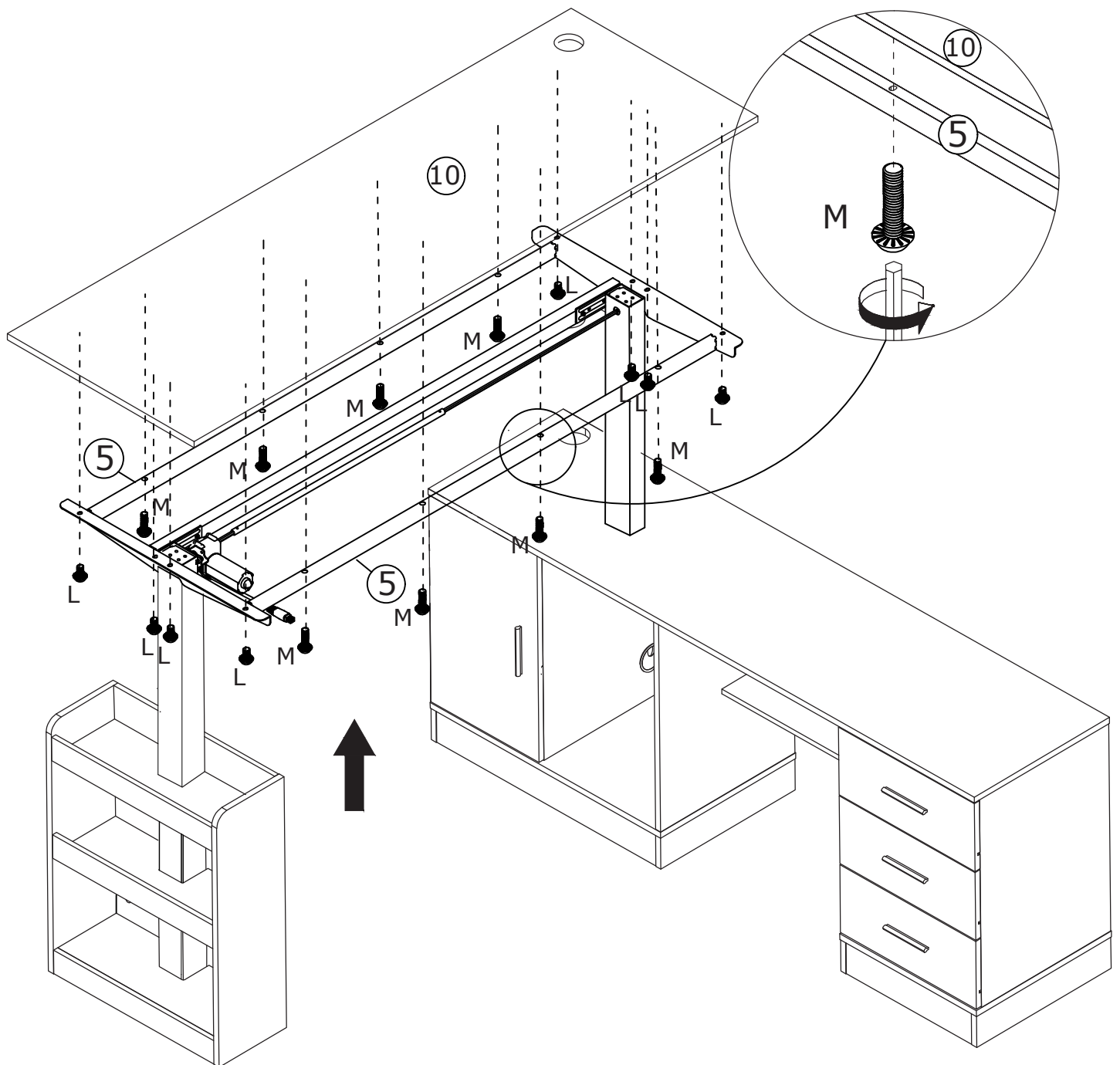


Ø 6 x 40mm



Cover the top to the iron frame and fix with screw(M) and screw(L) as shown.

Adjust the height of the desk as needed.



27

H x 4

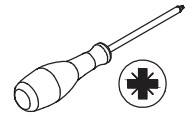


Ø 3.5 x 14 mm

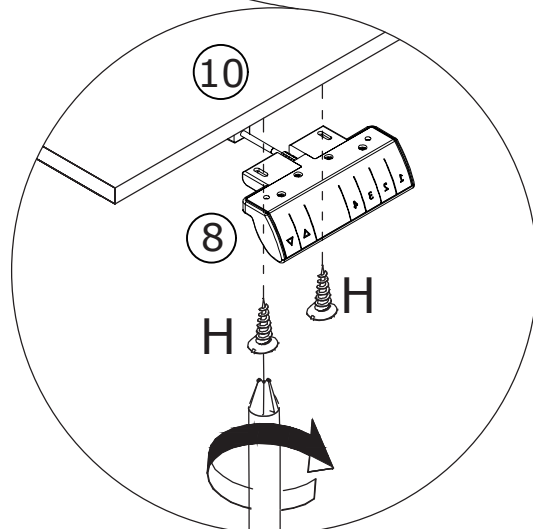
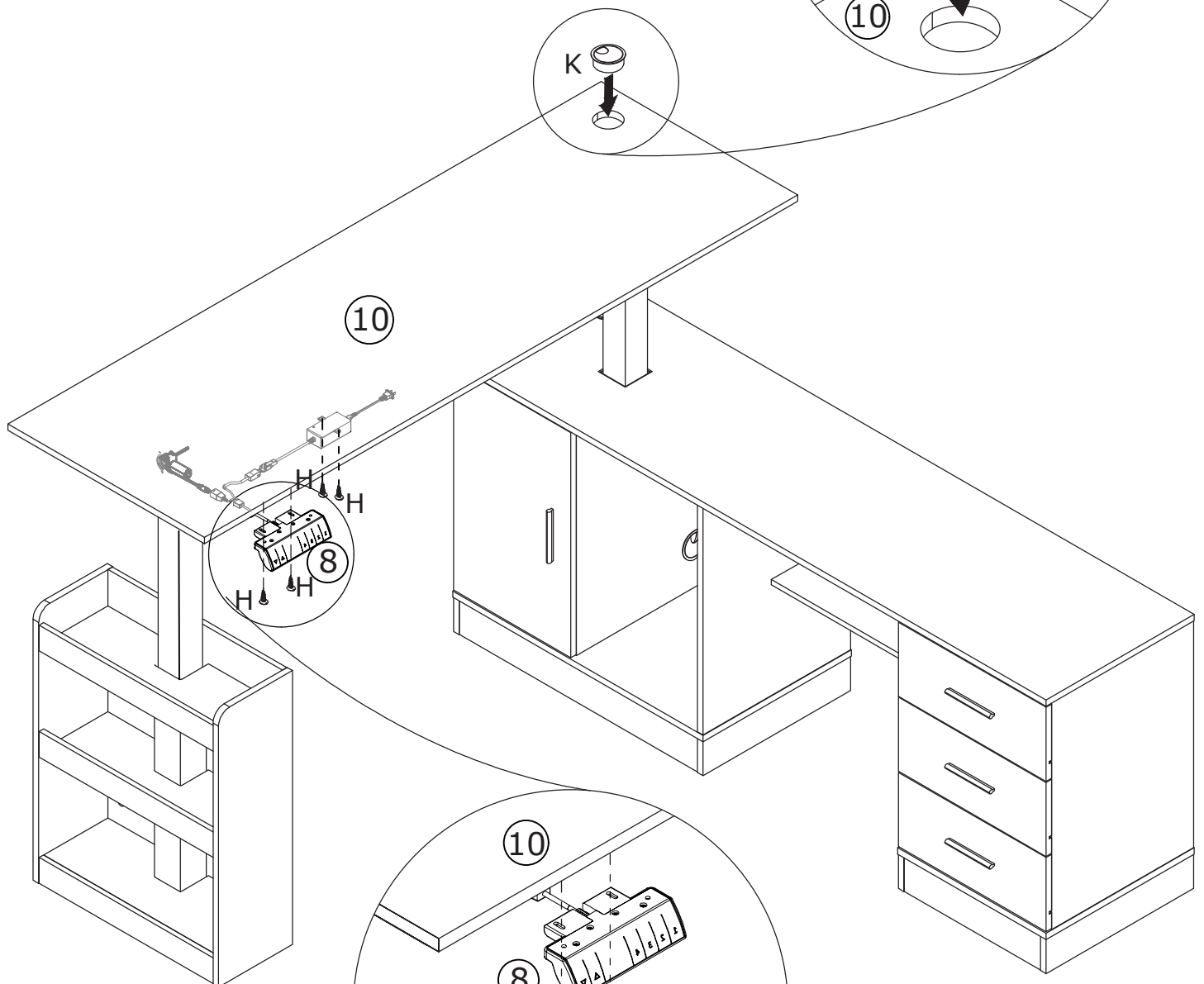
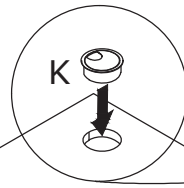
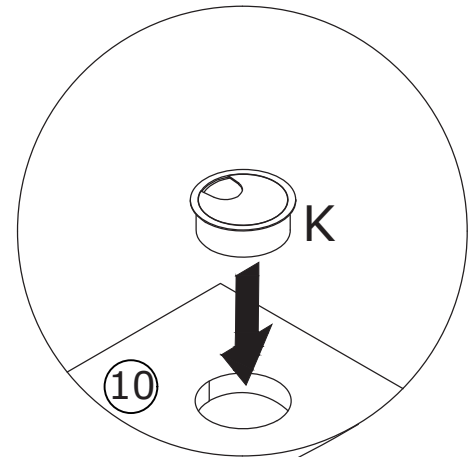
K x 1



Ø 60 mm



Fix control panel 8 to board 10 with screw(H) as shown.



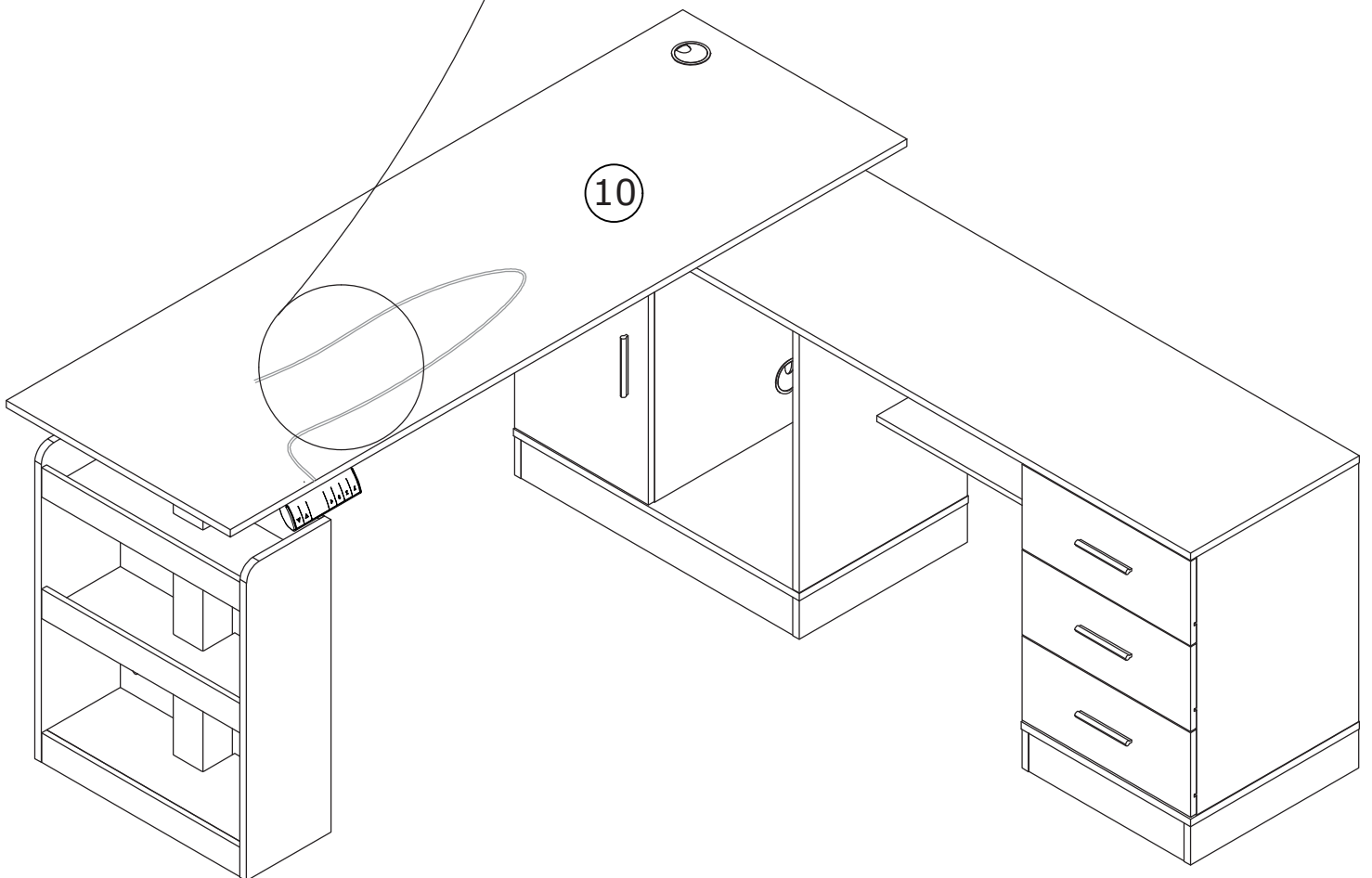
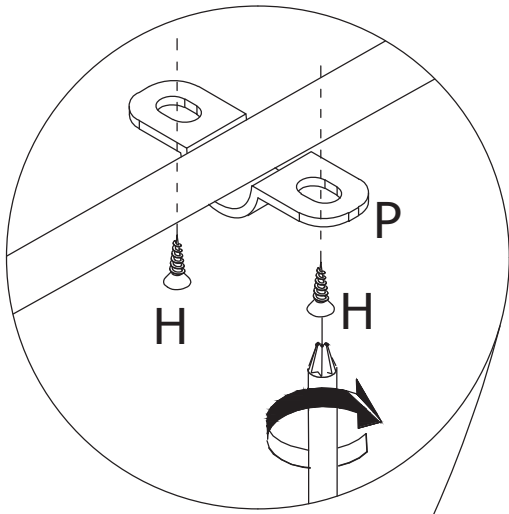
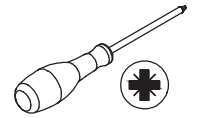
28

H x 6



Ø 3.5 x 14 mm

P x 3



Use buckle(P) to fix the power cable to bottom of the tabel top and fix with screw(H) as shown.

WARRANTY

WARRANTY CLAIMS

- There is a 30-day warranty for broken furniture or any other problems that do not work properly. The warranty will start from the date of purchase which must be verified by proof of purchase.
- Before making a claim, we may be able to answer your query, simply call us. Please leave your purchase order number, along with some details of the problem, if you want a replacement part. We will arrange within 48 hours. If there is out of stock, we will reply with a shipping date.
- The product must be used in accordance with the instructions provided. For health reasons.
- For other reasons, if the furniture needs to be returned, it must be cleaned and dried and operated within 30 days of receipt.

Type of Warranty Claim

- Failure to follow the furniture instructions will invalidate the warranty. Attention please.
- Does not include damage during installation, but includes damage during transportation.

Scope of responsibility

- Shall not bear any responsibility for misuse or user damage and / or loss of parts during the installation of furniture.
- After using, the damage and scratches of the furniture are not covered by the warranty.

The Warranty Relates to All Bought in The Us and Covers The Following Areas

- Sheet parts: 1 month from the date of purchase.
- Electrical parts: 1 month from the date of purchase.

RETURNS

CHANGED YOUR MIND AND NEED TO RETURN YOU ITEM?

PLEASE FOLLOW THE BELOW INSTRUCTIONS:

- If you have purchased and have simply changed your mind, follow the retailer's instructions for returns.

DEFECTIVE ITEMS

- If your item is defective in any way, i.e. it doesn't work but you can't identify why, in the first instance, please call us.

DAMAGED ITEMS

- If you receive an order with obvious shipping damage from the retailer, then we suggest the delivery is refused. If the delivery has been accepted and then shipping damage is found, please follow the specific instructions advised by the retailer.
In all circumstances please save all packaging material and paperwork for the order. Please be aware that if you dispose of packaging material or attempt to return the merchandise without contacting the fulfiller, you jeopardise your chances of making a claim, and you may not receive a credit for the return.