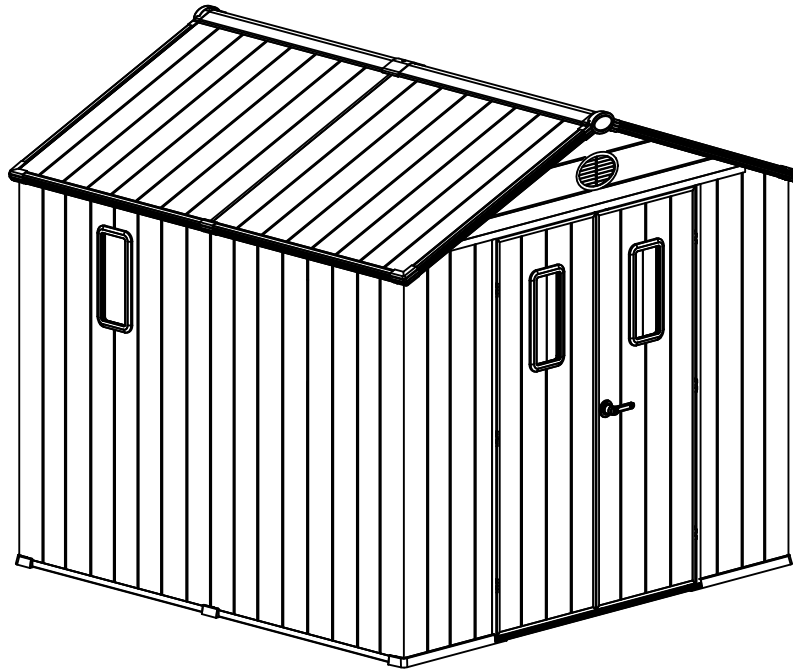


# INSTRUCTION MANUAL



## OUTDOOR 8'x8' STORAGE SHED

---

IF YOU PURCHASED THE OUTDOOR STORAGE SHED ONLINE  
AND HAVE ANY QUESTIONS OR CONCERNS  
CONTACT US VIA EMAIL, TEXT, OR PHONE

---

EMAIL: [service2outdoor@gmail.com](mailto:service2outdoor@gmail.com)

TEXT(SMS ONLY): +1 628-263-4608

PHONE: +1 877-561-6450

Date of Manufacture: 25W11

## Warnings and Cautions

Thank you for choosing our Outdoor storage shed. Please read and understand this entire manual before attempting to assemble or install the product.

The shed is intended for storage purposes only. It is not designed for habitation.

### GENERAL BESTPRACTICES FOR ASSEMBLY

1. Please check with your local governing authority/local municipal codes regarding installation and permitting of such structures before assembly.
2. The assembled Outdoor storage shed should be located at least 6 feet from any obstruction such as fence, garage, house, overhanging branches, laundry lines or electrical wires.
3. It is strongly recommended to secure the shed to an immovable object or anchor to the ground by drilling holes in the shed floor (at the pre-marked locations) and inserting proper screws into the ground (screws are not included).
4. Familiarize yourself with the product and check all parts against the packing list. If any parts are missing or damaged, do not install. Contact us immediately.
5. Always wear work gloves, safety goggles and long sleeves when assembling or performing any maintenance on your shed.
6. Save all packing materials until assembly is complete to avoid accidentally discarding smaller parts or hardware.
7. Requires two or more people to assemble and install safely and correctly.

## WARNINGS



To reduce the risk of serious injury, read the following safety instructions thoroughly before assembling and using the Outdoor storage shed.

8. The product is required to be installed on level solid surface and is not intended for unsecured use. The Outdoor storage shed is to be anchored to the surface with appropriate bolts or anchors. Do not assemble the gazebo on soil, earth, or bare ground.
9. Keep children and pets away from the working area during assembly and adjustments.
10. Please ensure that there is no snow or leaves on the roof. A large amount of snow on the roof can damage the cabin and make it unsafe. This product has passed the wind resistance test: level 8 (46 miles per hour), and the roof load test with a capacity of 800 pounds.
11. On snowy days, it is necessary to regularly clear the accumulated snow. You can use plastic rakes to remove the excessive snow and ice blocks on the roof. Take corresponding safety precautions to prevent the fallen snow from causing damage.
12. Do not leave children unattended around or inside outdoor storage sheds.
13. The weight of the items hung on the hooks inside the roof should not exceed 30 pounds.
14. Avoid using a lawnmower or mechanical scythe near the shed.
15. Wash the shed with a garden hose or a mild detergent solution. Do not use a metal brush or abrasive cleaners, including degreasers and oil- or acetone-based cleaning materials, as these may stain or damage the shed.
16. Do not store hot items, such as recently used grills and blowtorches, and volatile chemicals in the shed.
17. Wind direction is an important factor to consider when determining the location of the shed.

Reduce exposure to the wind, in general, and of the door side in particular. Keep doors closed and locked when the shed is not in use to prevent wind damage.

18. Do not stand on the roof.

## WARRANTY

### WHAT IS COVERED?

The limited warranty is extended to the original purchaser and applies to material and manufacturer's defect provided the item is maintained with care and used only for personal residential purposes.

Warranty: 6 months

Lost Accessories or Parts Policy:

Lost accessories or parts costs will be incurred after 90 days of the date of purchase.

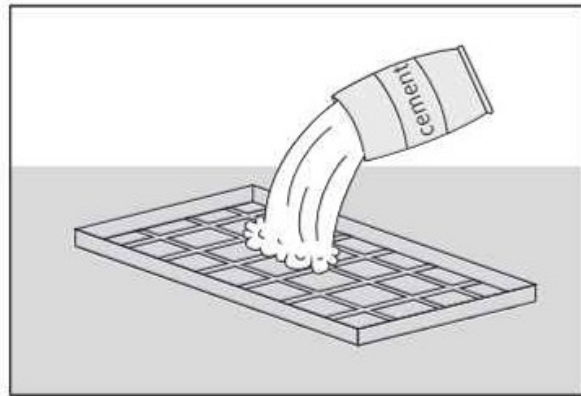
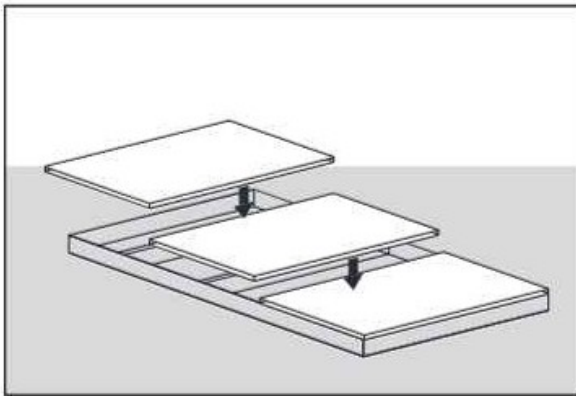
TIP: Our products have been designed for safety and quality. Any modifications made to the original product could damage the structural integrity of the product leading to failure and possible injury. We can not assume any responsibility for modifications products. Furthermore, modifications voids any and all warranties..

## Site preparation

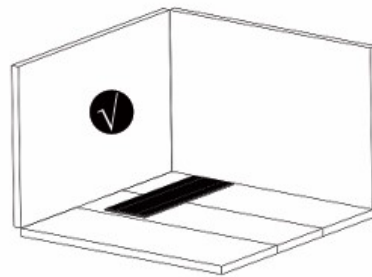
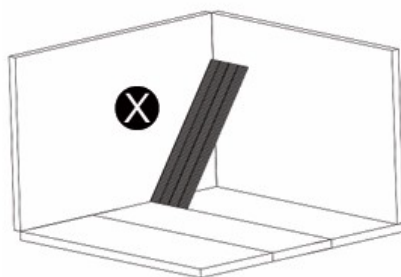
### 1. Leveling the ground.



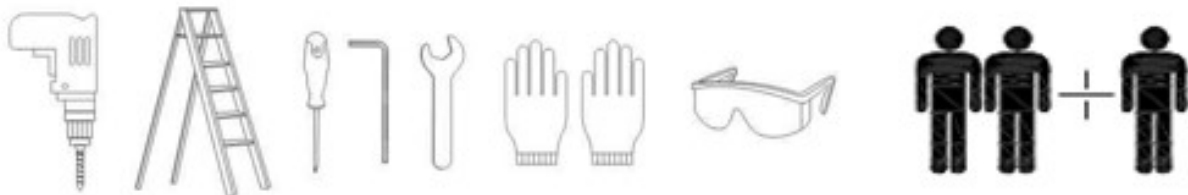
2. Recommendation: Construct a wooden or concrete base as a foundation.










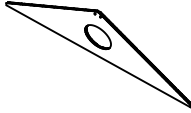






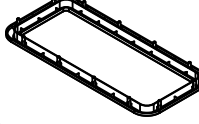

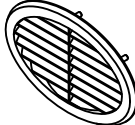
3. Parts are placed after unpacking.



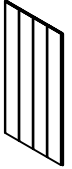
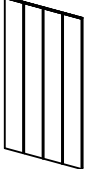
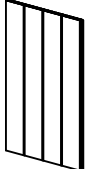
## Tools Needed (Not Included)



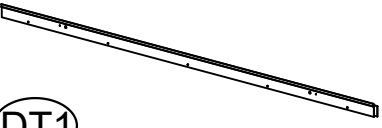




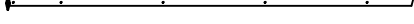
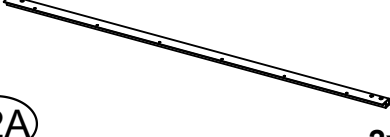
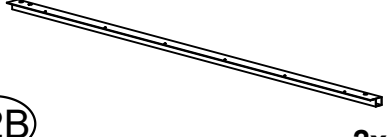


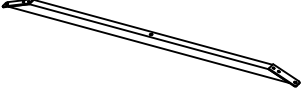
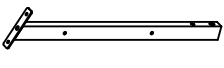
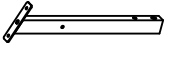













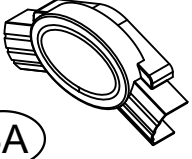
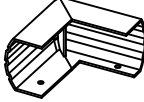
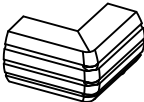
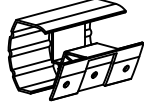
### Parts List (Box 1)

 <b>(B1)</b> 2x	 <b>(B2)</b> 1x	 <b>(B4L)</b> 2x	 <b>(B4R)</b> 2x
 <b>(B5L)</b> 1x	 <b>(B5R)</b> 1x	 <b>(B6A)</b> 1x	 <b>(B6B)</b> 1x
 <b>(B7)</b> 1x	 <b>(B7B)</b> 1x	 <b>(B8)</b> 3x	 <b>(B8B)</b> 1x
 <b>(SE)</b> 4x	 <b>(SEI)</b> 4x	 <b>(SEO)</b> 4x	
 <b>(SFI)</b> 2x	 <b>(SFO)</b> 2x		

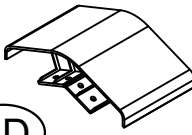
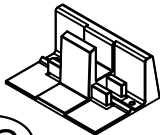
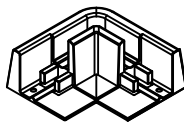

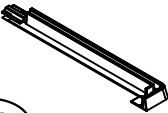
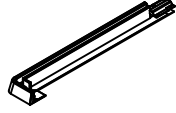
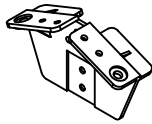

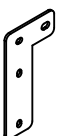
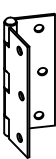

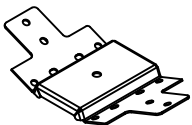
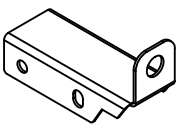











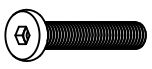

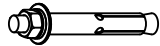
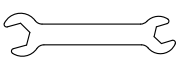


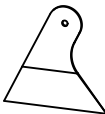
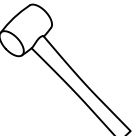

### Parts List (Box 2)

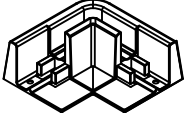
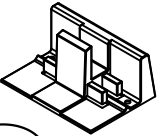
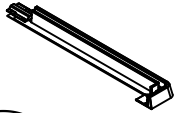
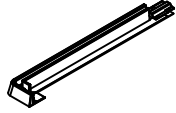



 <b>(A1)</b> 8x	 <b>(C1)</b> 4x	 <b>(C2)</b> 4x	

### Parts List (Box 3)

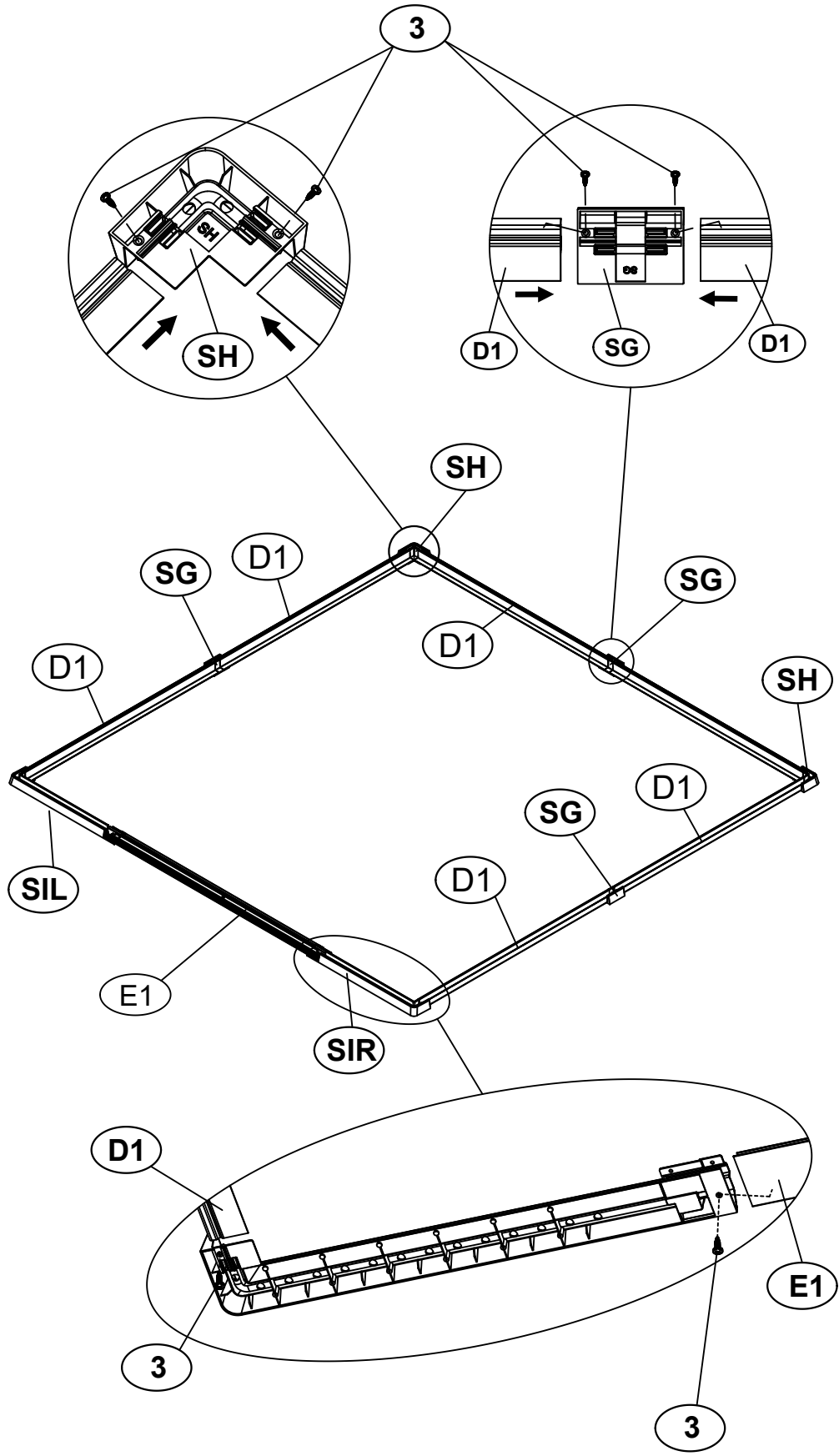
 <b>(DT1)</b> 1x	 <b>(DR)</b> 1x	 <b>(DL)</b> 1x	
 <b>(DM)</b> 1x	 <b>(U1)</b> 4x	 <b>(U4)</b> 2x	
 <b>(P2A)</b> 2x	 <b>(P2B)</b> 2x	 <b>(N1)</b> 1x	
 <b>(R1)</b> 2x	 <b>(T1)</b> 1x	 <b>(U2)</b> 2x	 <b>(U5)</b> 2x
 <b>(D1)</b> 6x	 <b>(E1)</b> 1x	 <b>(FIL)</b> 3x	 <b>(FIR)</b> 3x
 <b>(F3L)</b> 1x	 <b>(F3R)</b> 1x	 <b>(G1)</b> 2x	 <b>(H1)</b> 4x
 <b>(J1)</b> 4x	 <b>(K1)</b> 4x	 <b>(Q2)</b> 2x	
 <b>(B3L)</b> 1x	 <b>(B3R)</b> 1x		
 <b>(SA)</b> 2x	 <b>(SCA)</b> 2x	 <b>(SCB)</b> 2x	 <b>(SB)</b> 2x



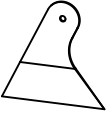
## Parts List (Box 3)

 <b>(SD)</b> 1x	 <b>(SG)</b> 3x	 <b>(SH)</b> 2x	 <b>(SK)</b> 1x
 <b>(SIL)</b> 1x	 <b>(SIR)</b> 1x	 <b>(SJ)</b> 2x	 <b>(SP)</b> 2x
 <b>(X1)</b> 2x	 <b>(X2)</b> 6x	 <b>(X3)</b> 1x	 <b>(X4)</b> 1x
 <b>(X5)</b> 6x	 <b>(X6)</b> 1x	rubber sealing strip  <b>(X7)</b> 1x	
 <b>1</b> ST3.8x12 77x	 <b>2</b> ST3.8x14 201x	 <b>3</b> ST3.8x12 38x	 <b>4</b> ST4.8x32 72x
 <b>5</b> ST4.2x15 5x	 <b>6</b> ST2.8x12 54x	 <b>7</b> M6x15 24x	 <b>8</b> M6x40 20x
 <b>9</b> M6 20x	 <b>10</b> M8x45 1x	 <b>11</b> M6 20x	 <b>12</b> M8x80 6x
<b>TOOL:</b>	 <b>(Y1)</b> 1x	 <b>(Y2)</b> 5MM 1x	 <b>(Y3)</b> 1x
 <b>(Y5)</b> 2x NOTE: The plastic pieces are guide pieces assisting inserting wall panels	 <b>(Y6)</b> 1x	 <b>(Y7)</b> 1x	

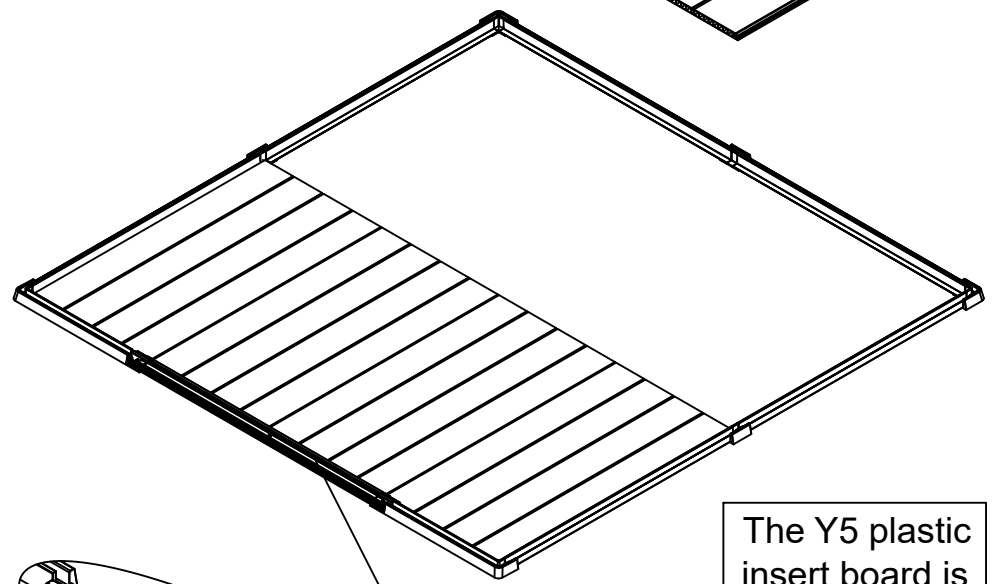
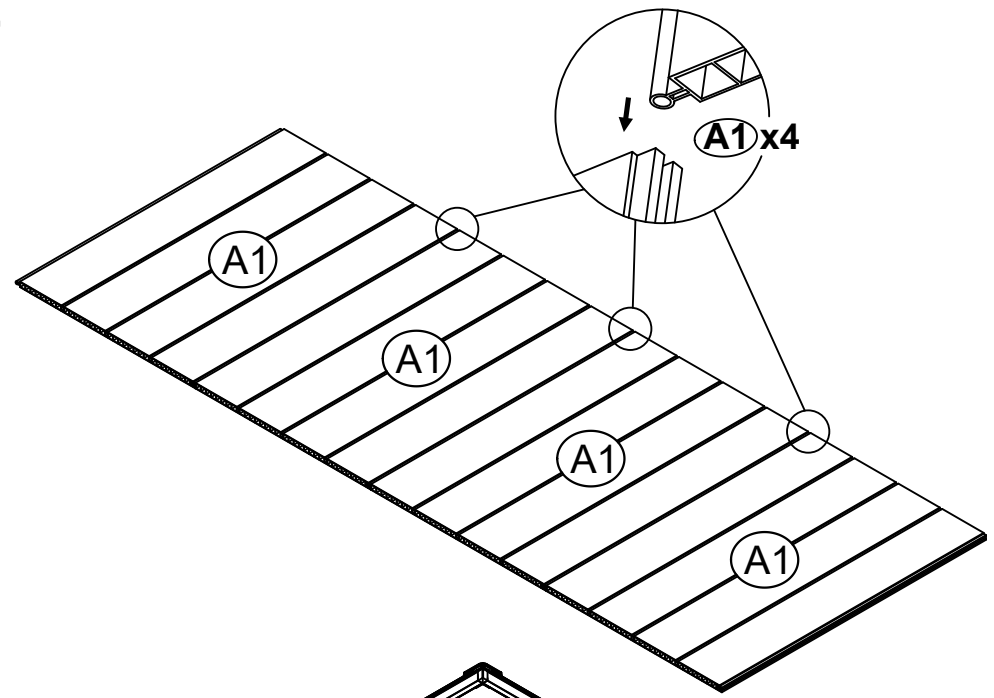
-  (SH) 2x
-  (SG) 3x
-  (SIL) 1x
-  (SIR) 1x
-  (D1) 6x
-  (E1) 1x
-  (3) ST3.8x12 14x

<1>

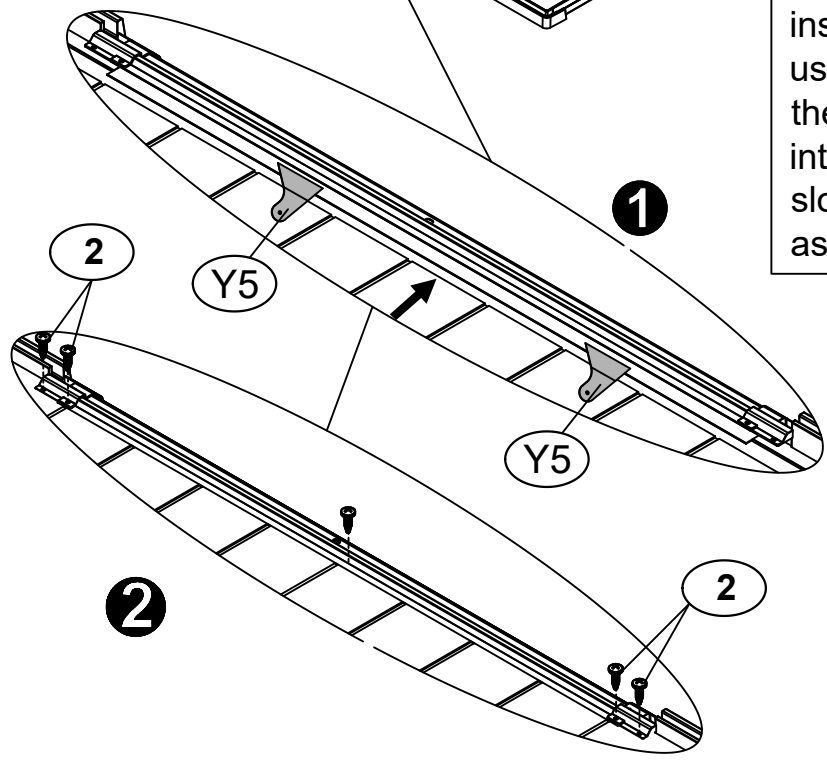


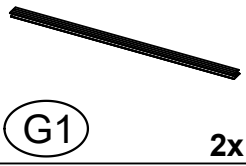
-  **(A1)** 8x
-  **(2)** ST3.8x14 5x
-  **(Y5)** 2x

**<2>**

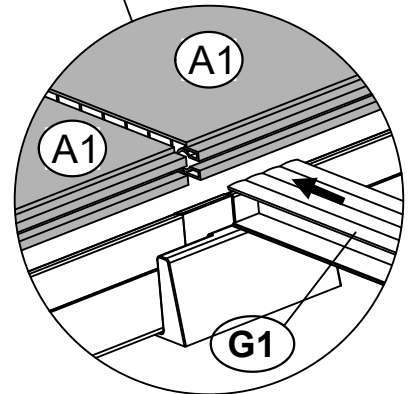
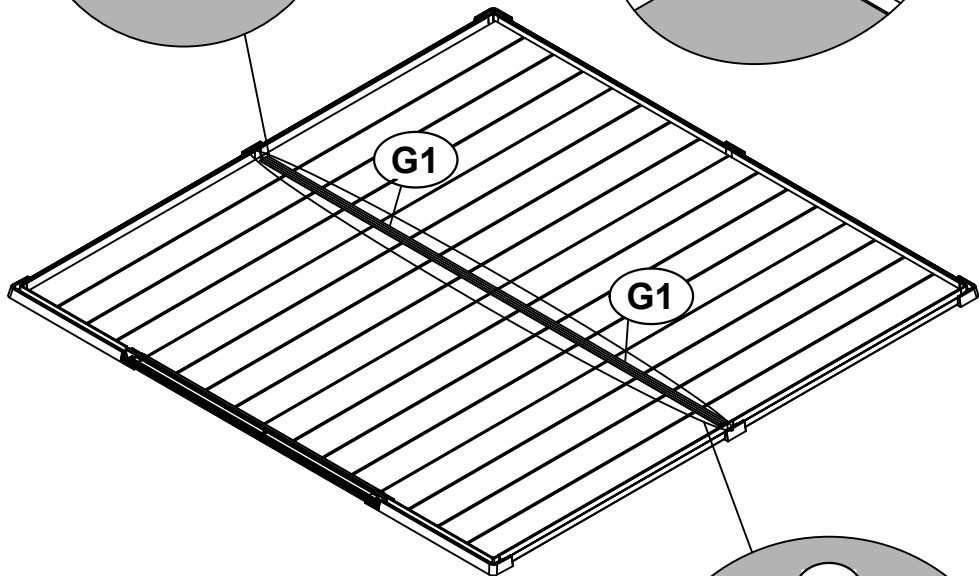
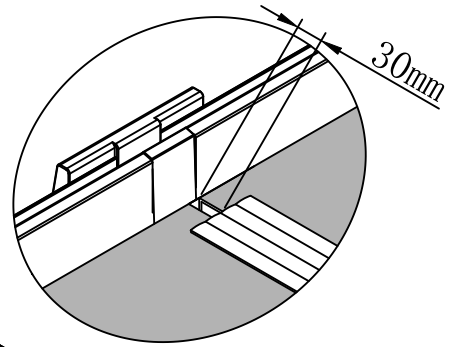
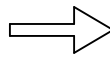
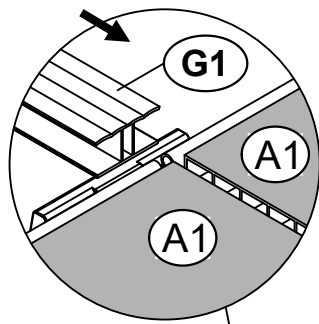
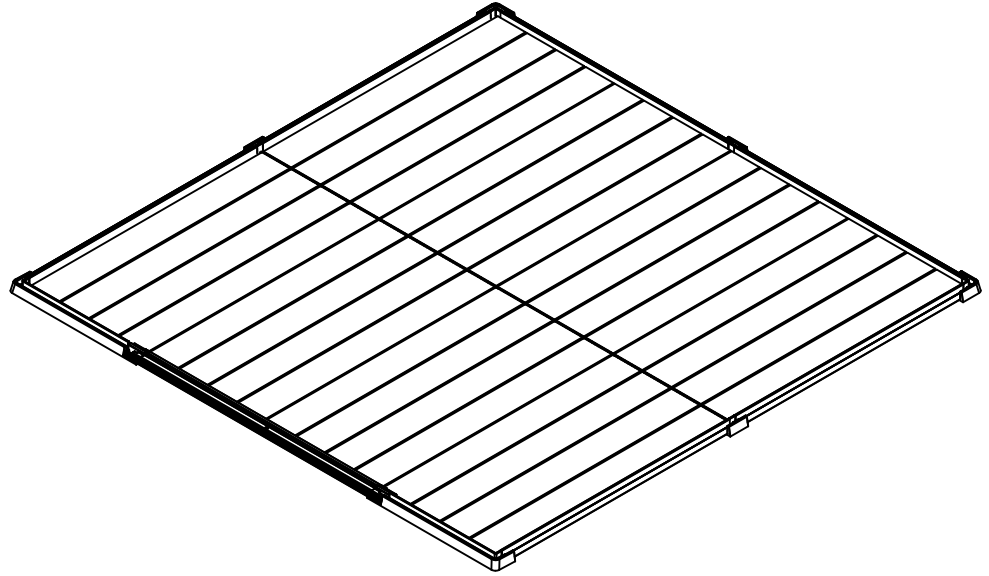


The Y5 plastic insert board is used to insert the wall board into the card slot during assembly



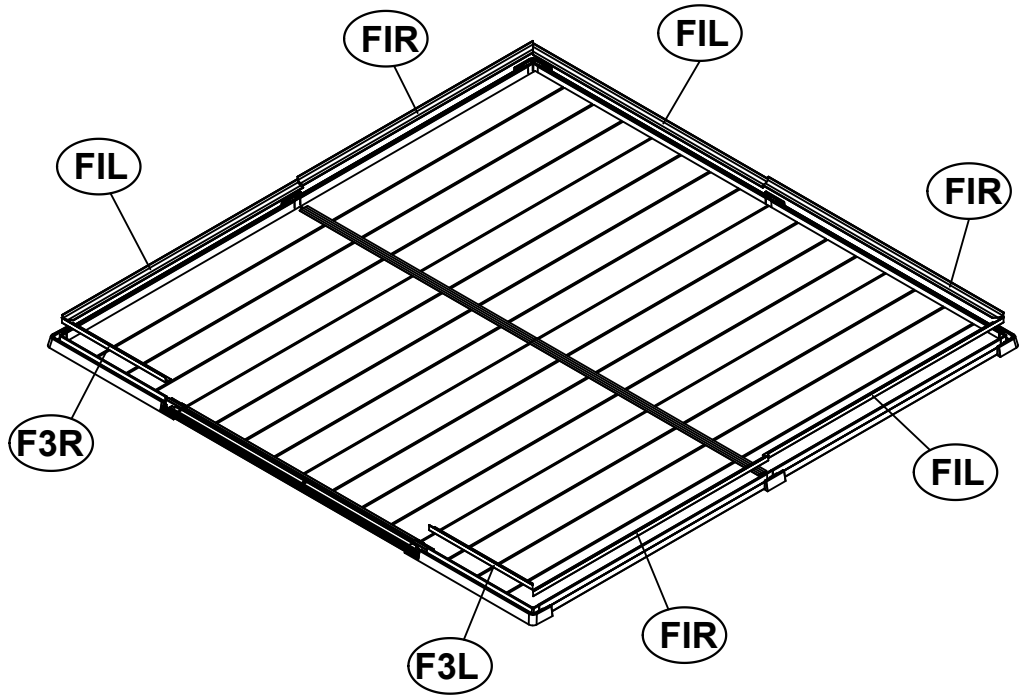
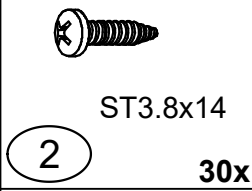
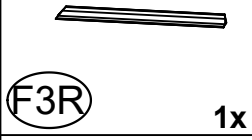
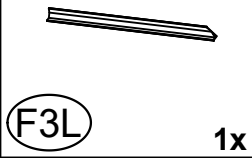


<3>

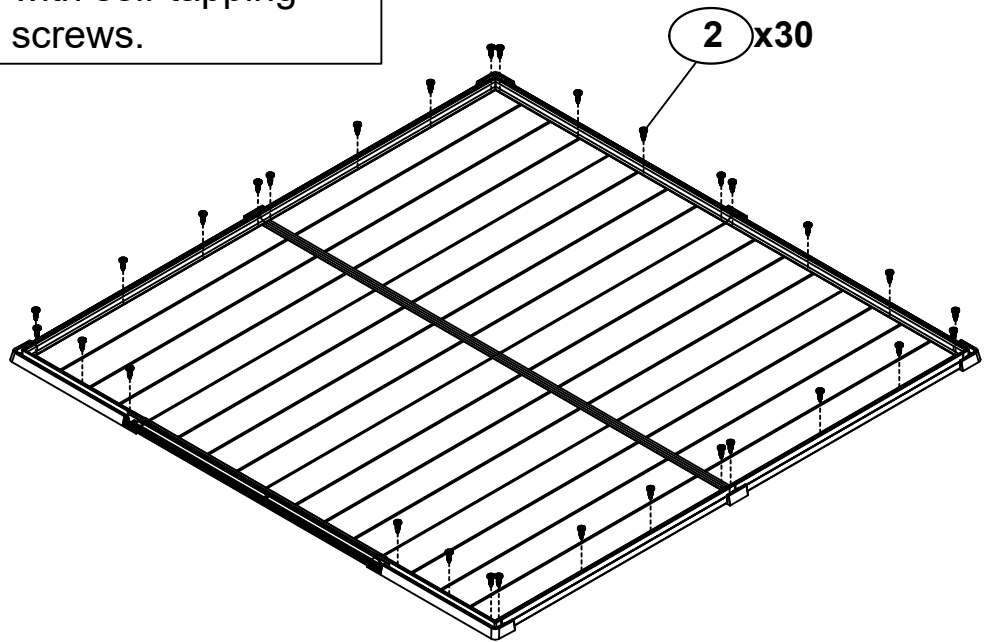


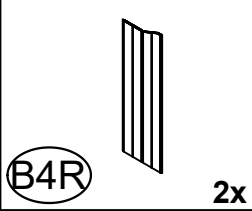
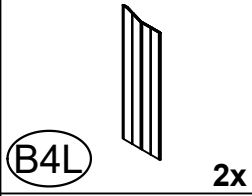
During installation, the base plate needs to be lifted

<4>

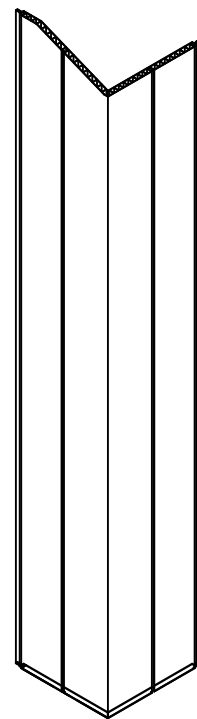
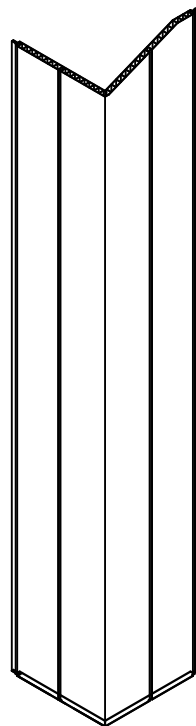
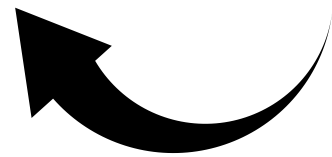
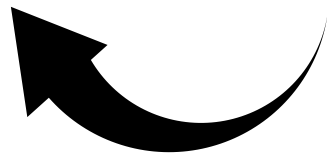
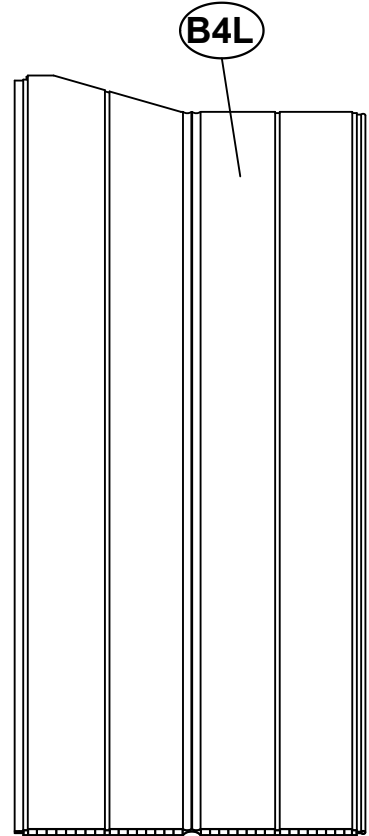
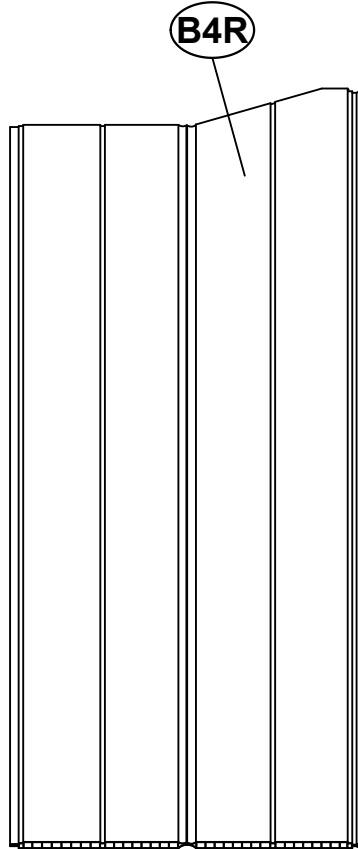


You are advised to refer to the figure when fixing the floor with self-tapping screws.

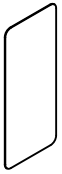

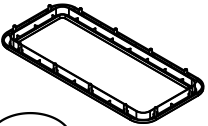









<5>

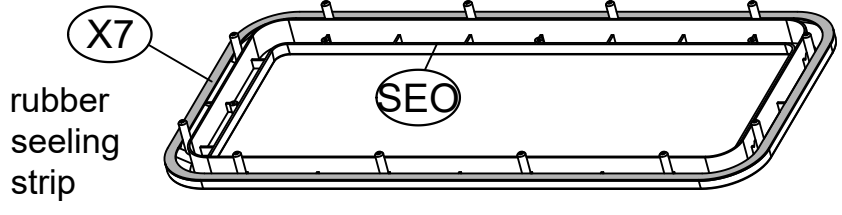


NOTE: Bend inward, the smooth surface is on the inside. Please use the plastic guide pieces to help insert the wall panels to the bottom.

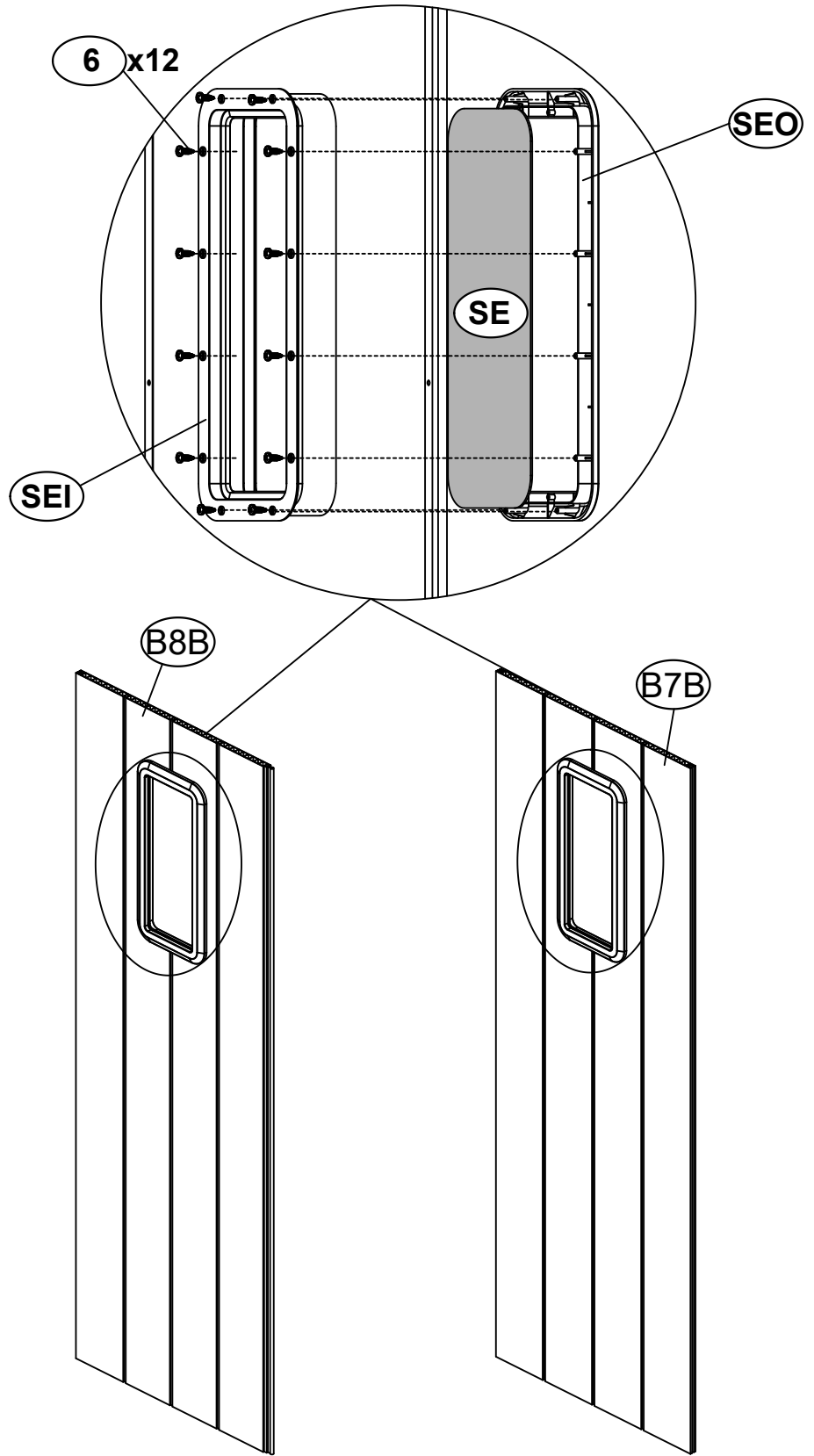
	2x
	2x
	2x
	1x
	1x
	1x
	24x
ST2.8x12	
	24x

<6>

1

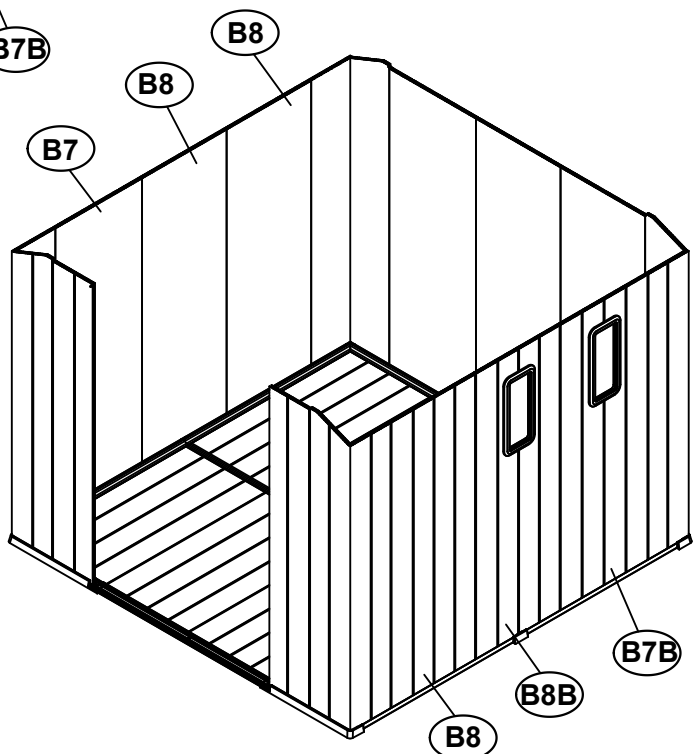
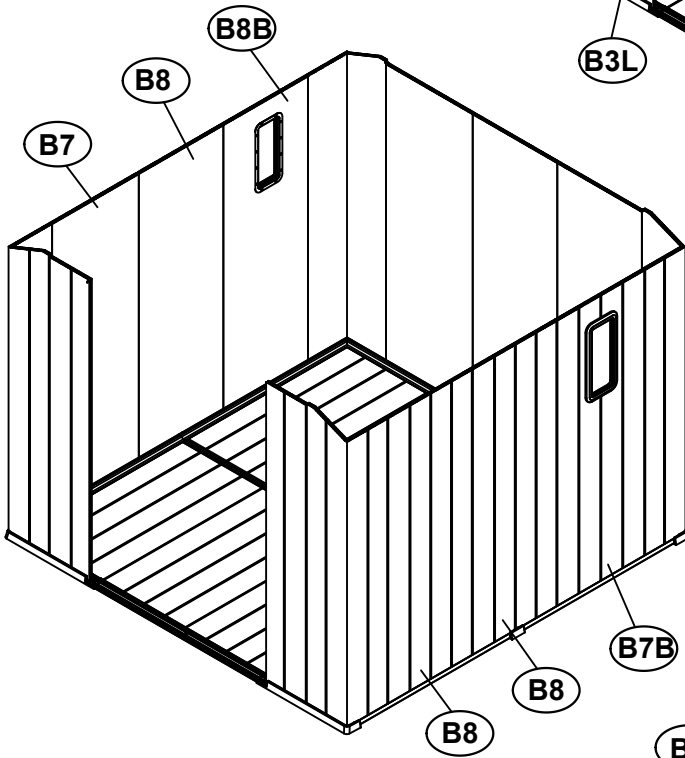
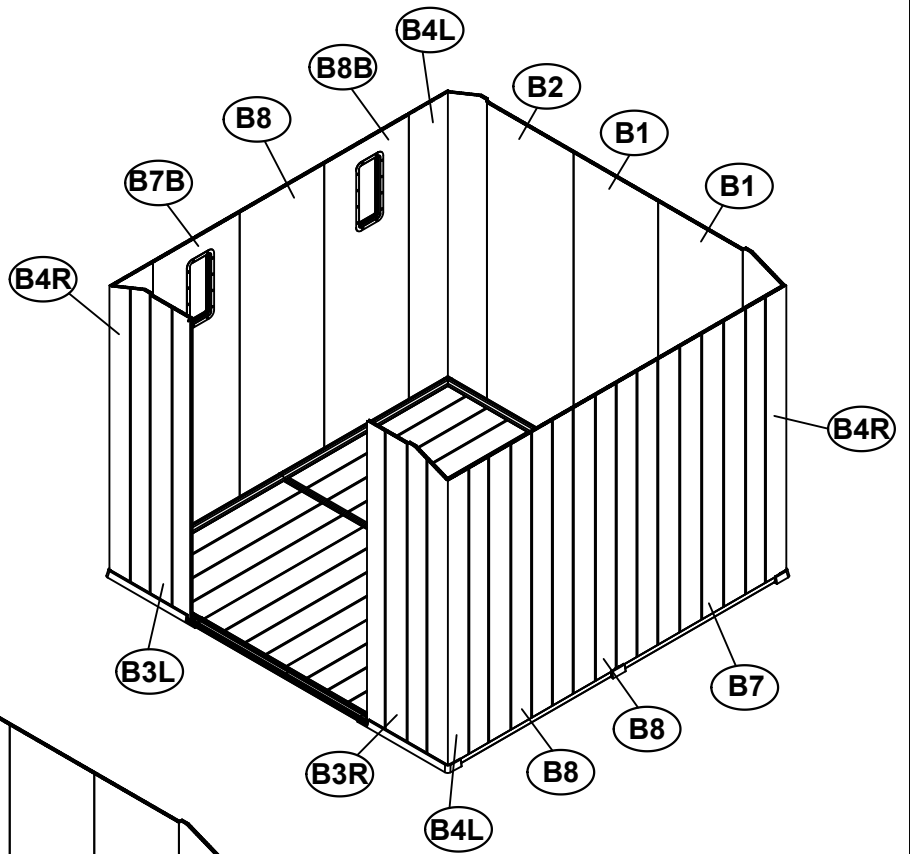


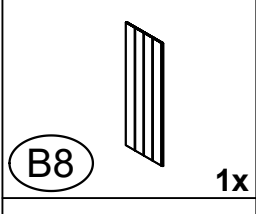
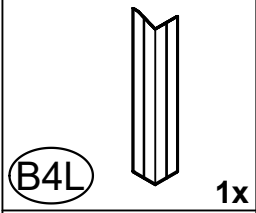
2



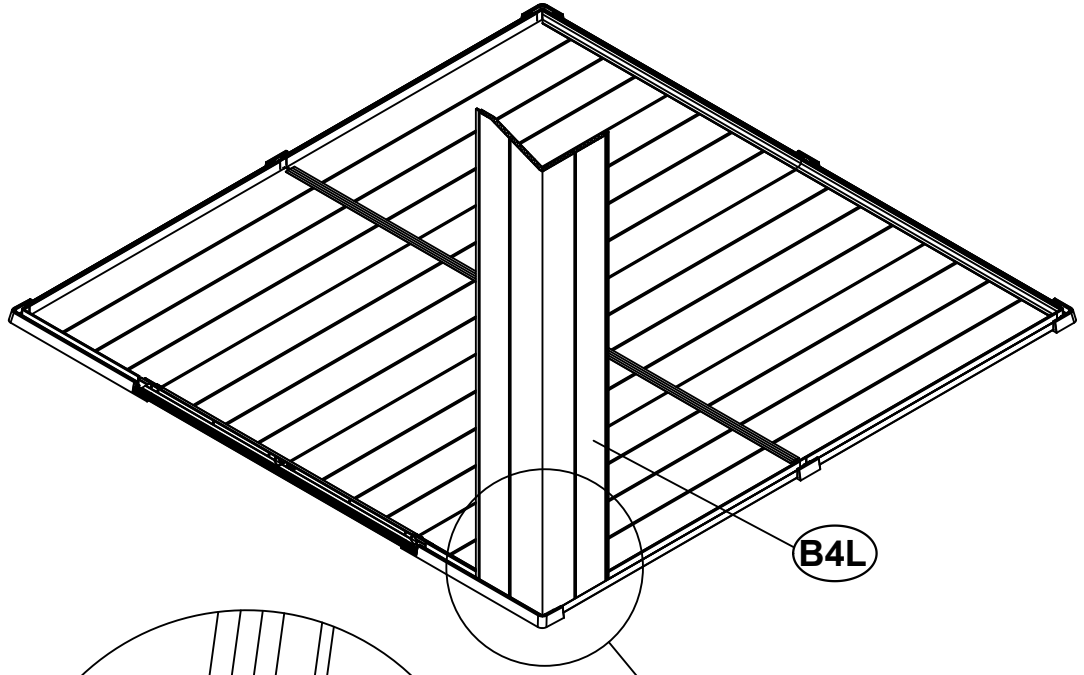
<7>

According to the lighting needs, the window can be installed in the appropriate position according to the graphical effect.

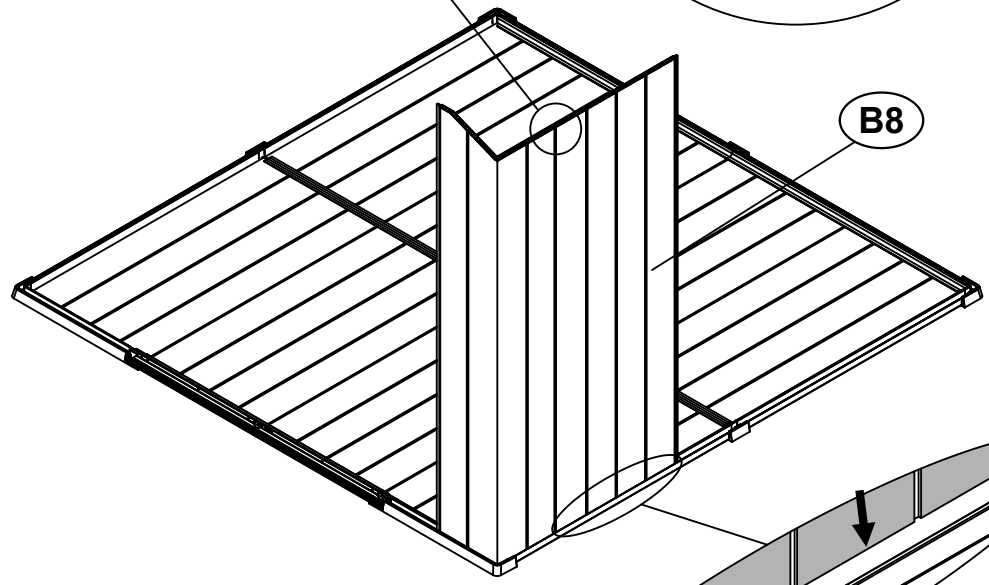
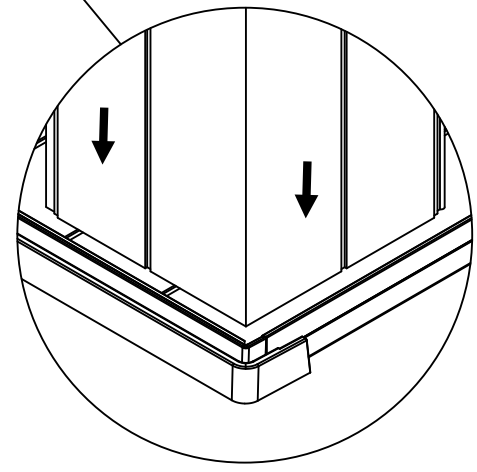
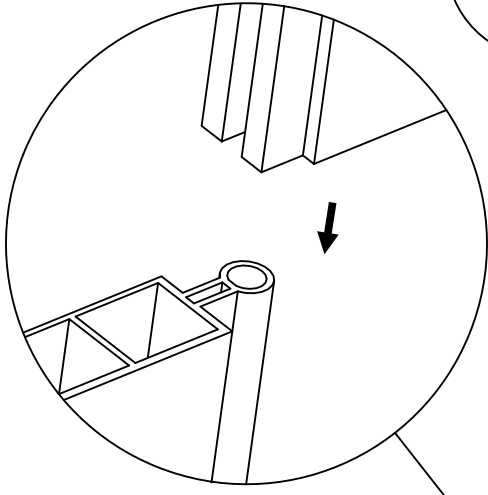




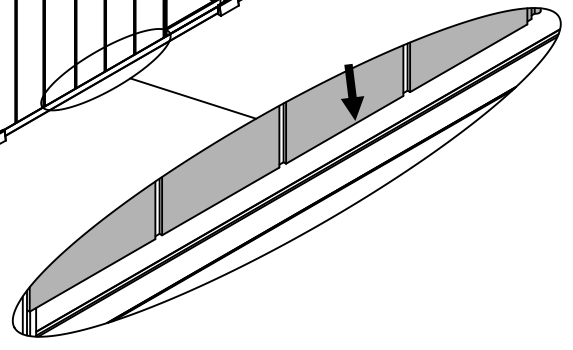
<8>

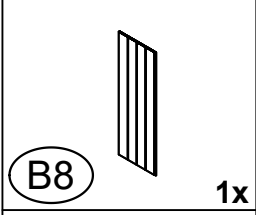
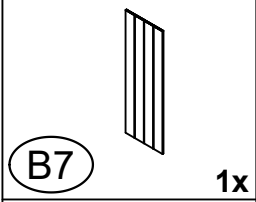


(B4L)

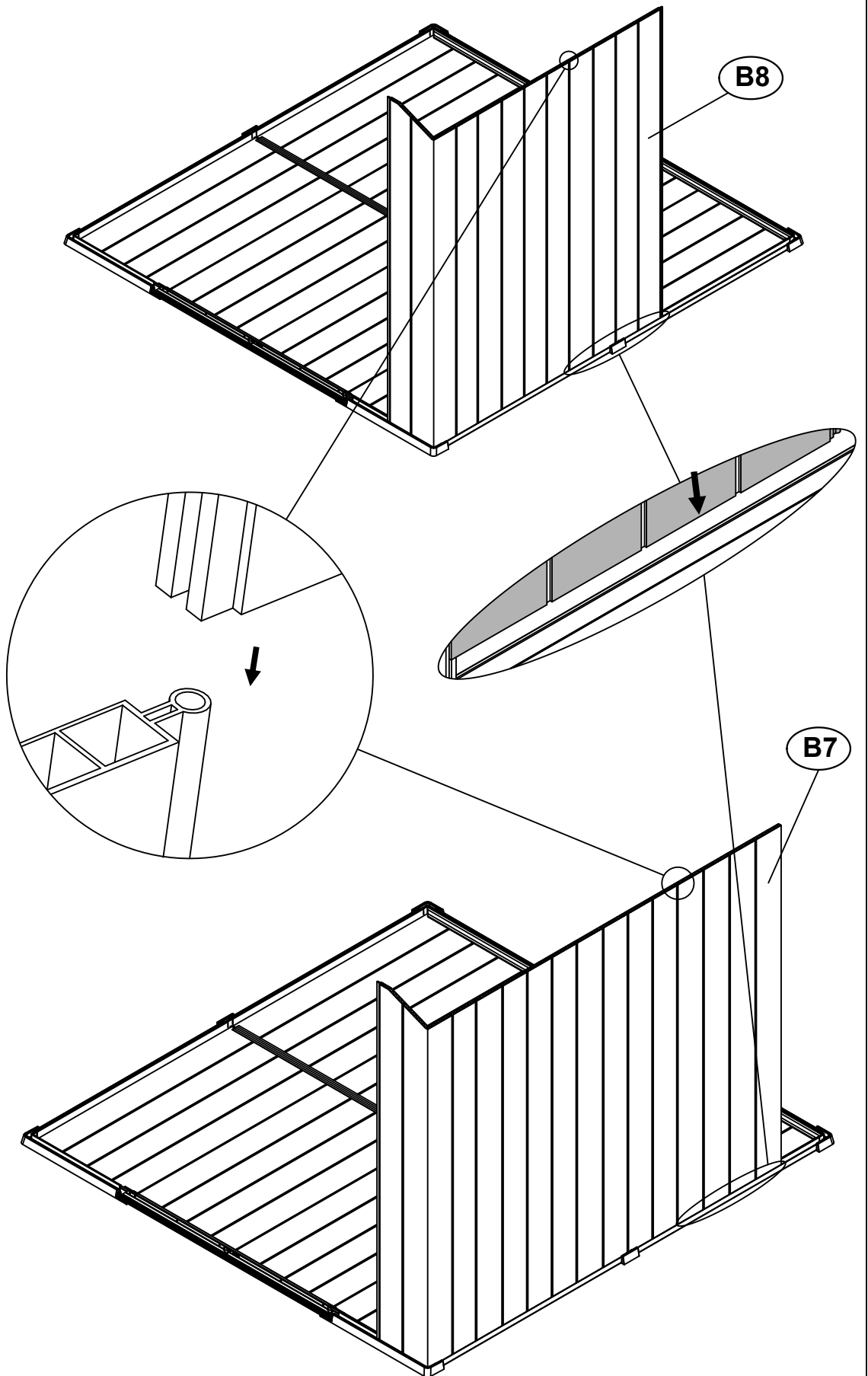


(B8)

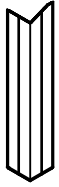




<9>

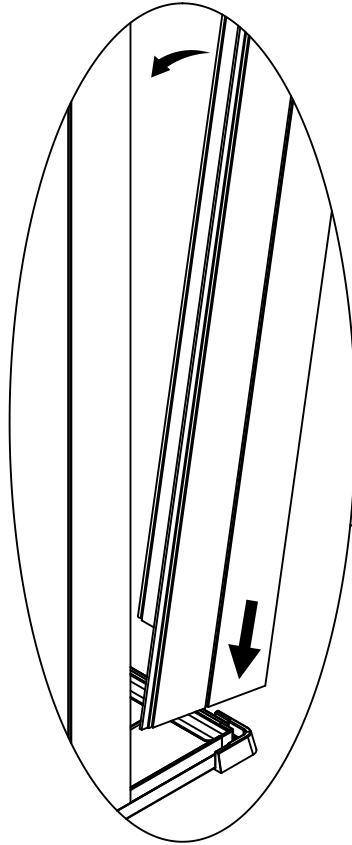


(B4R)

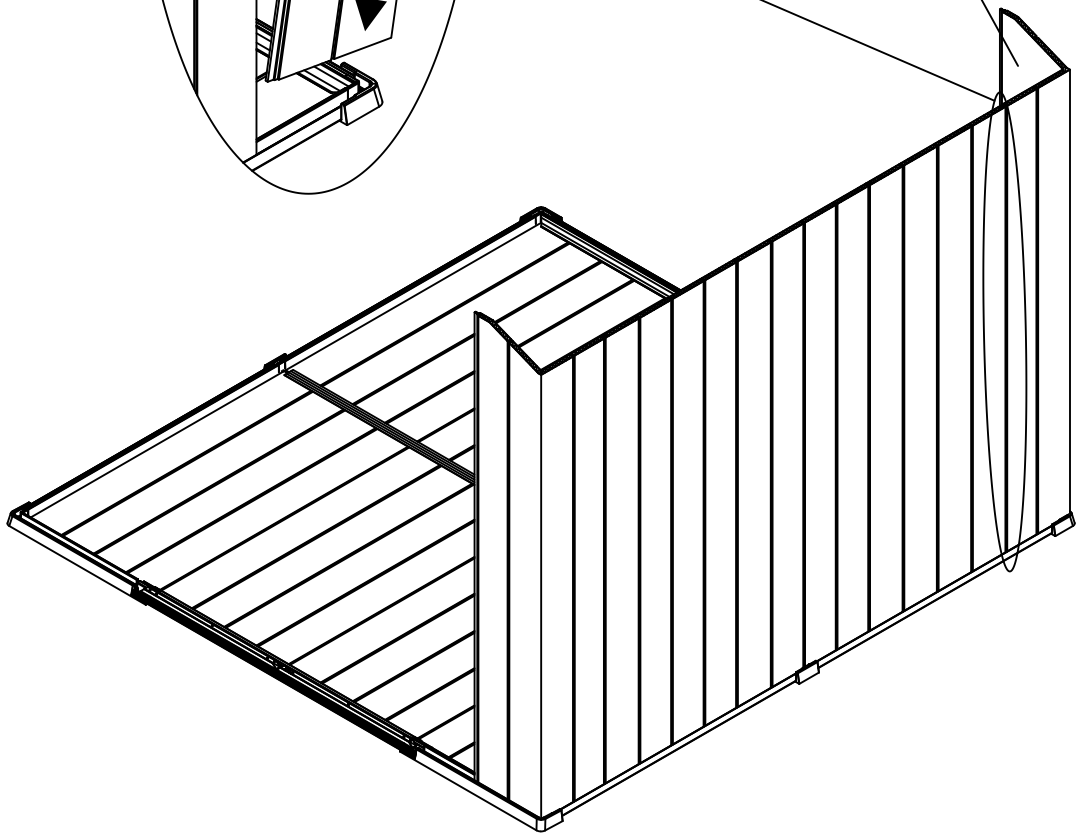


1x

<10>

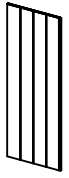


(B4R)



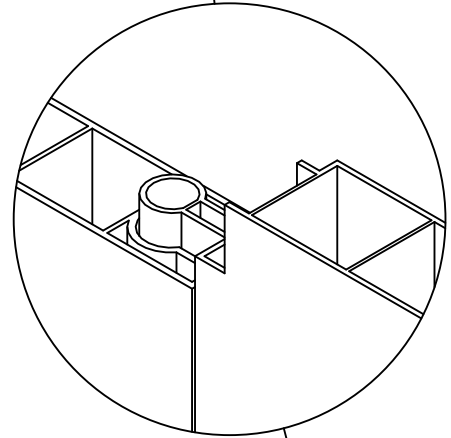
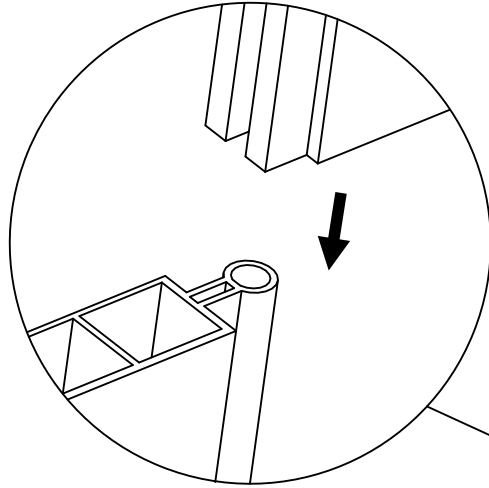
<11>

B1

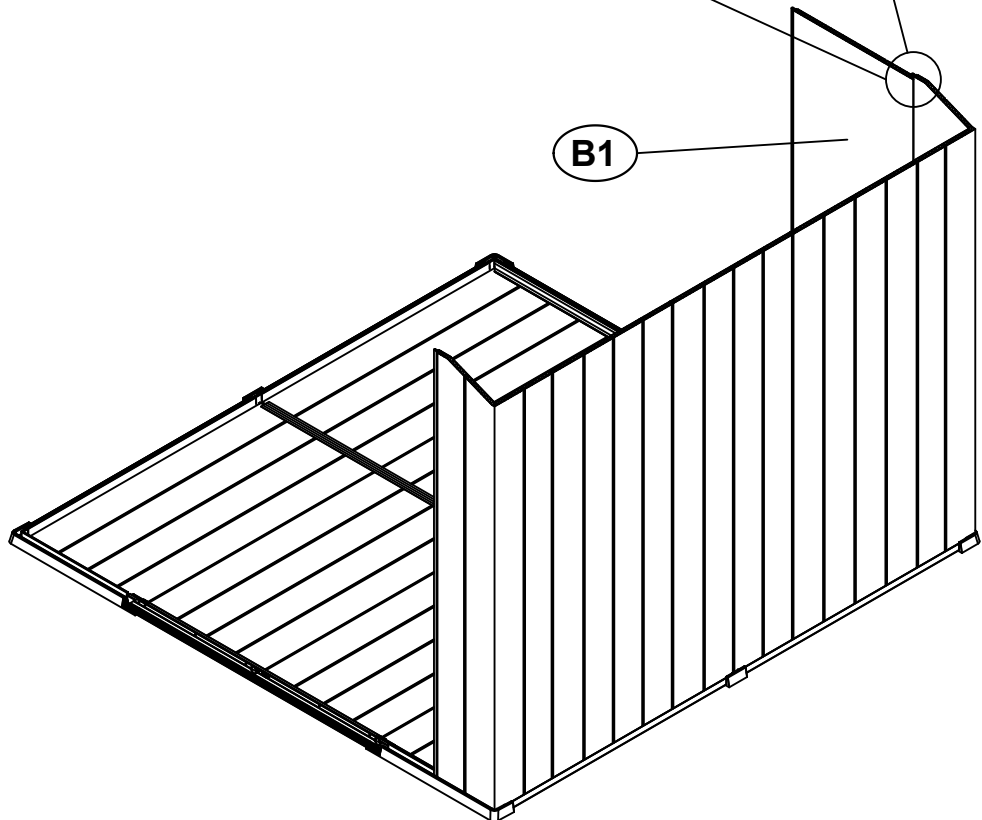


1x

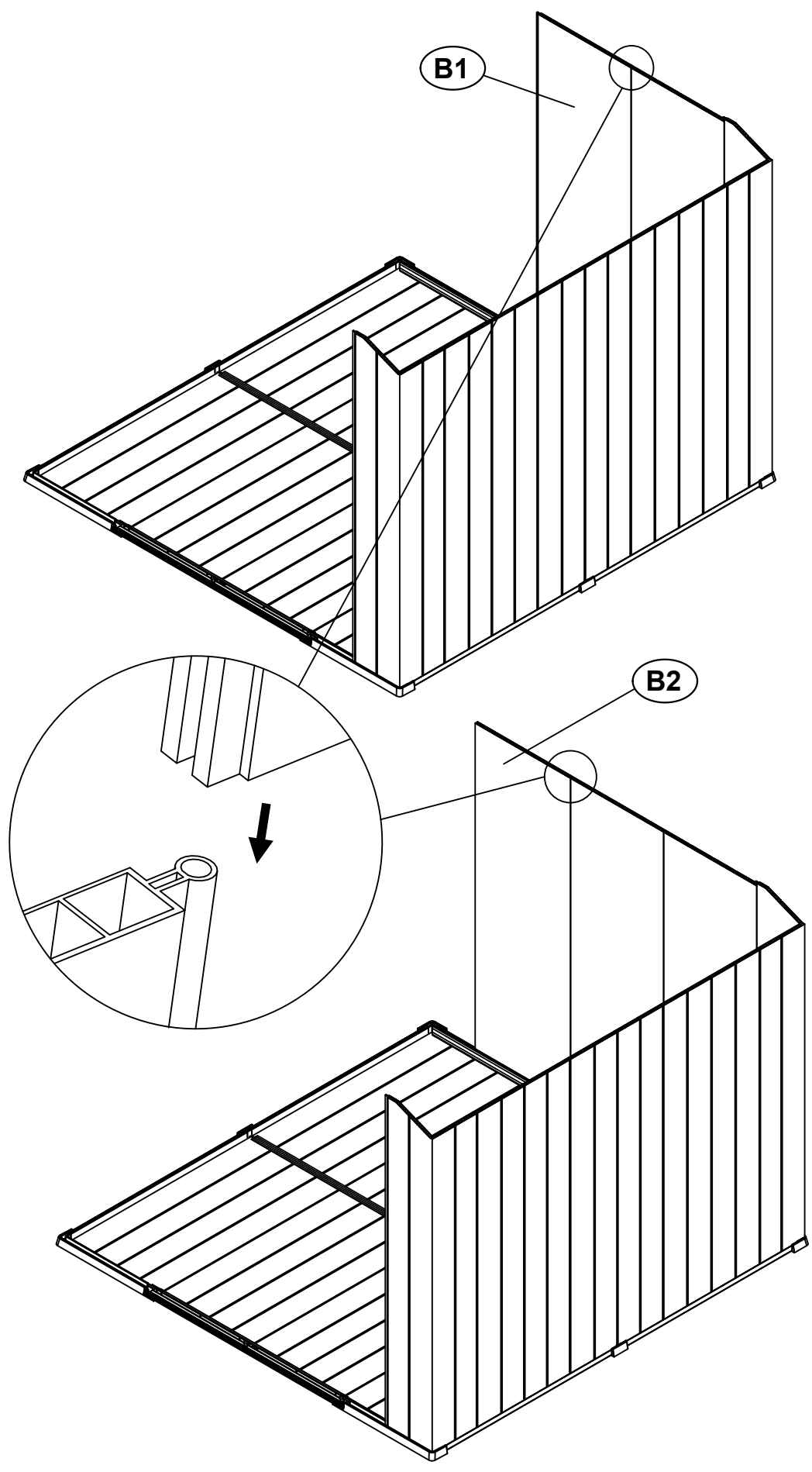
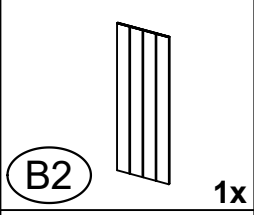
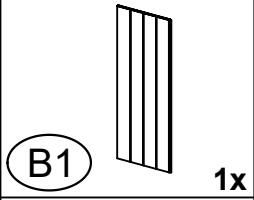
After installation here,  
the top is uneven



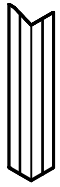
B1



<12>



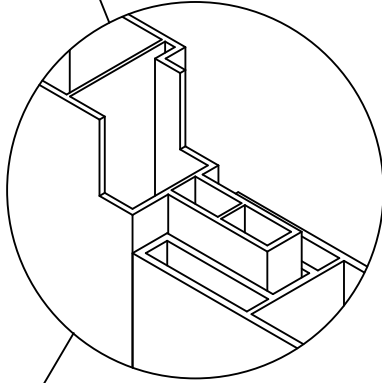
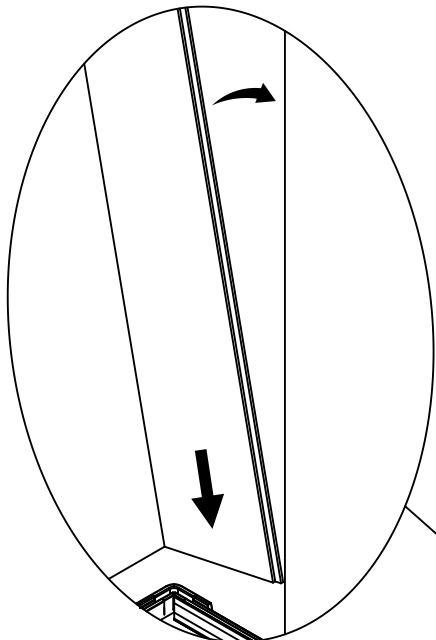
(B4L)



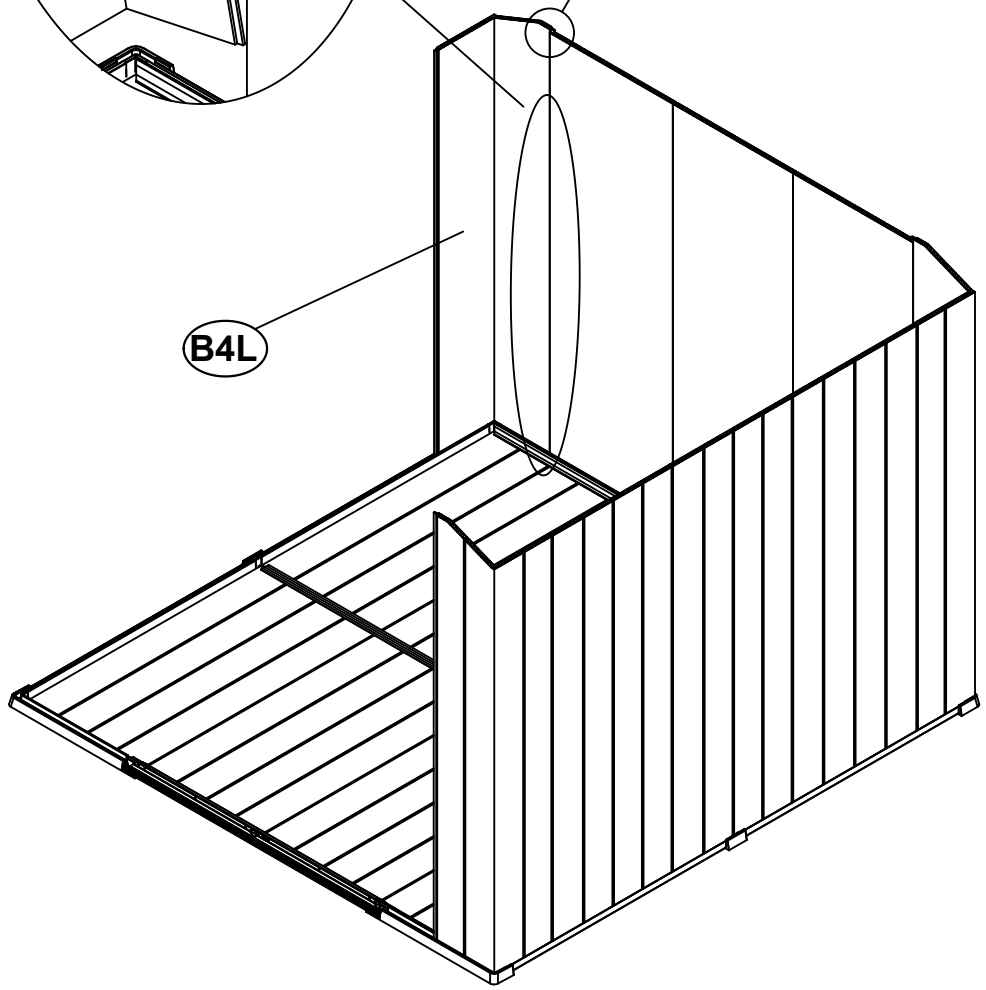
1x

<13>

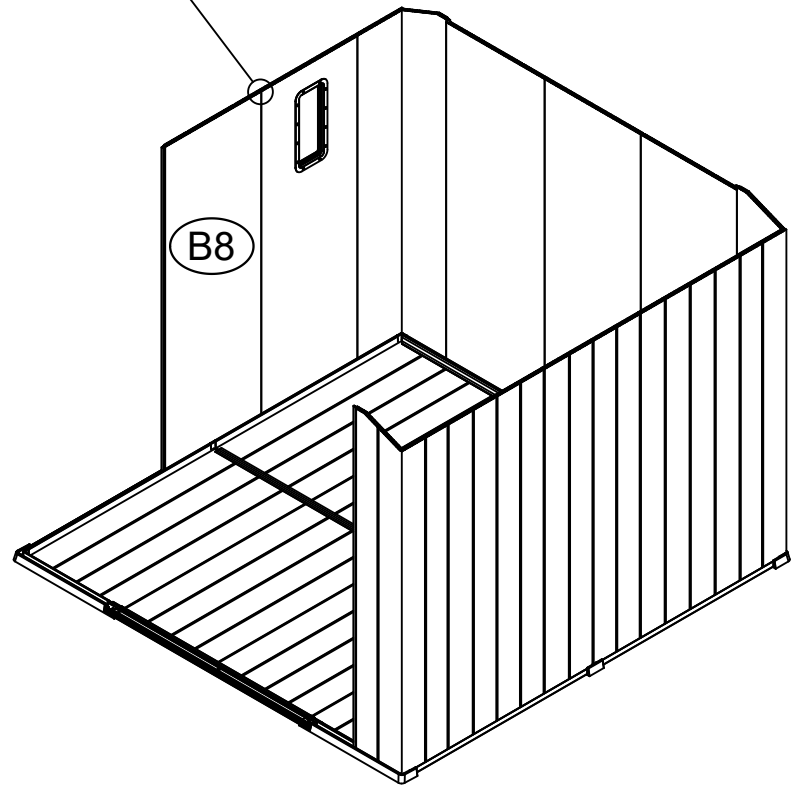
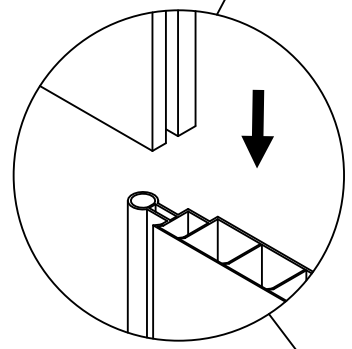
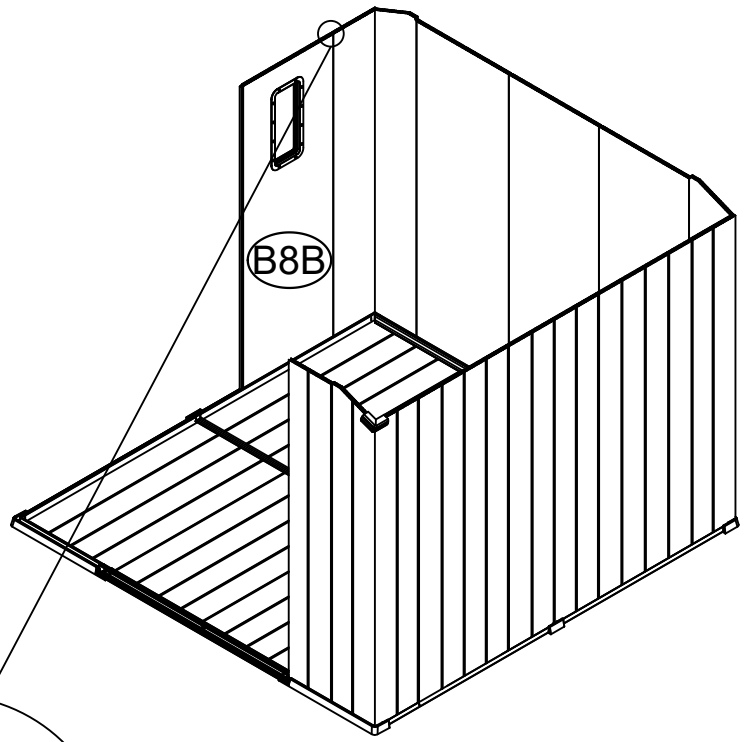
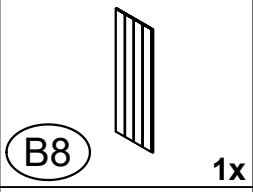
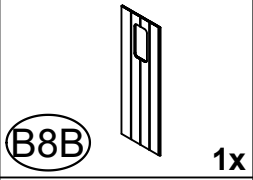
After installation here,  
the top is uneven



(B4L)



<14>



<15>

(B7B)



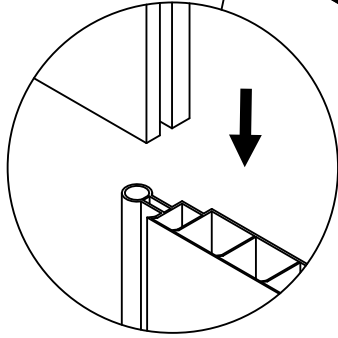
1x

(B4R)

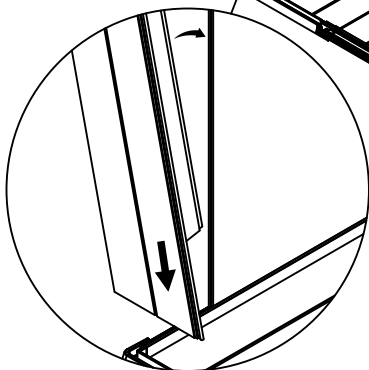


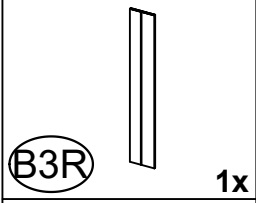
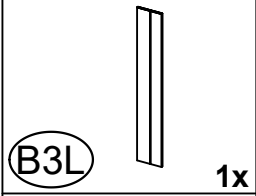
1x

(B7B)



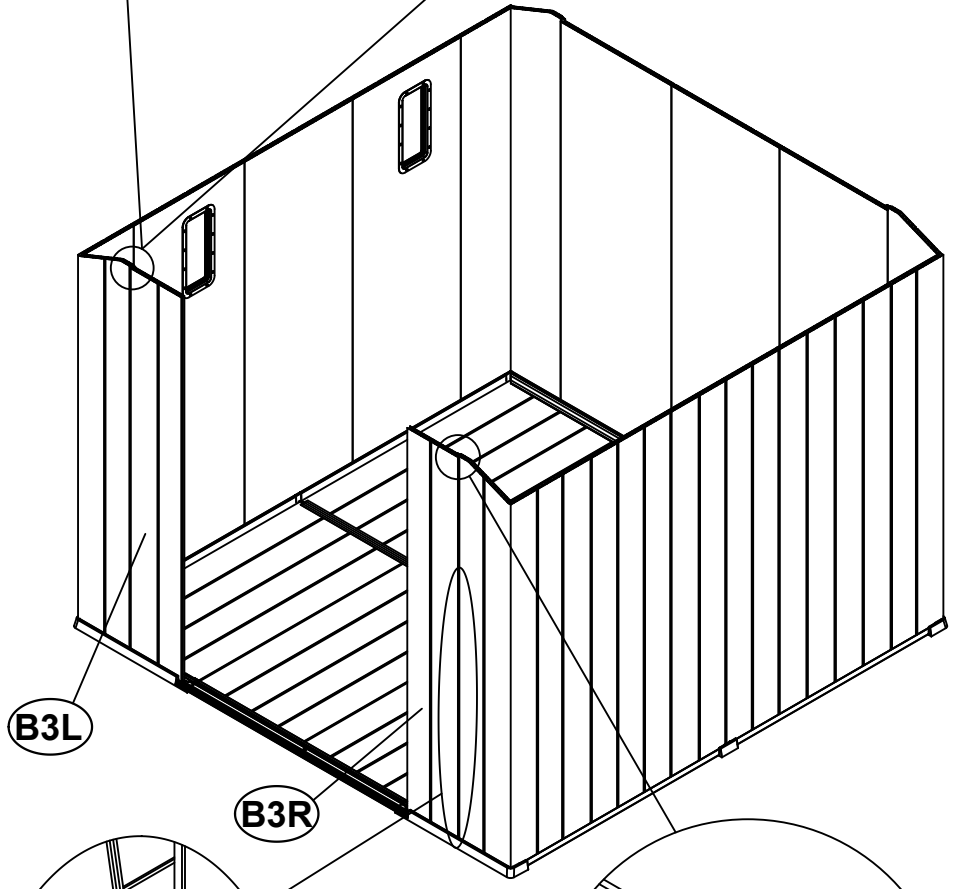
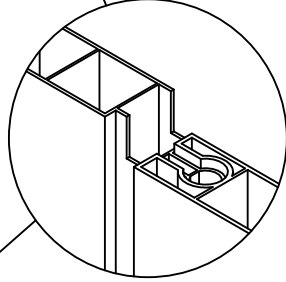
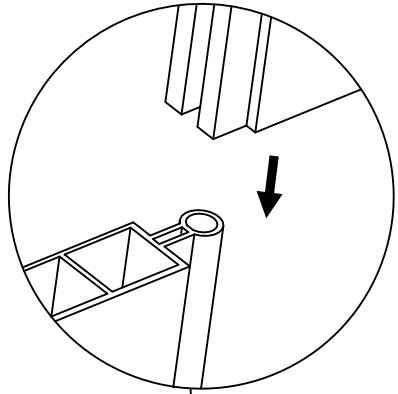
(B4R)





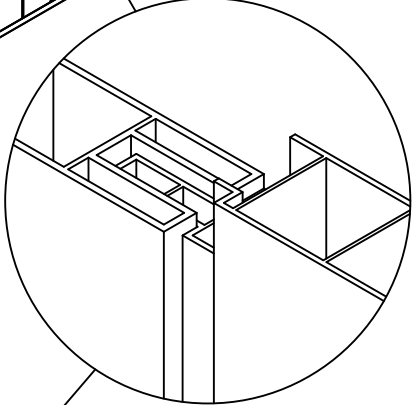
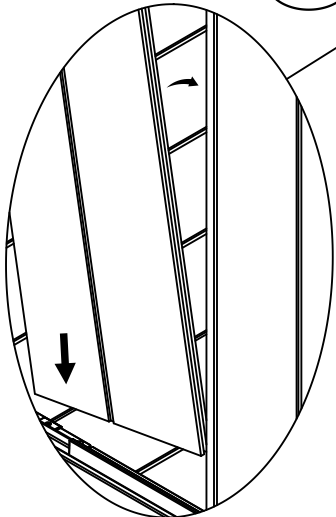
<16>

After installation here,  
the top is uneven



(B3L)

(B3R)



After installation here,  
the top is uneven

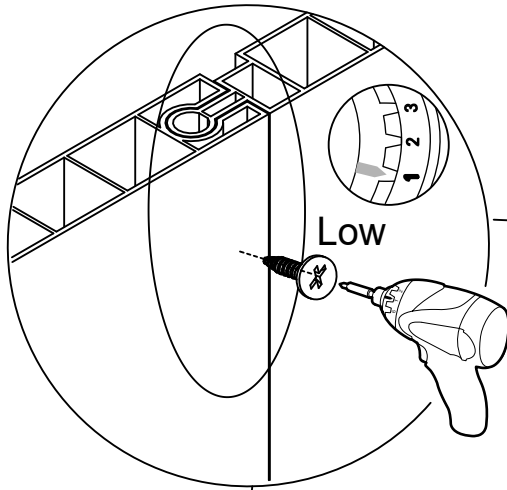


ST3.8x12

1

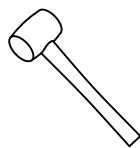
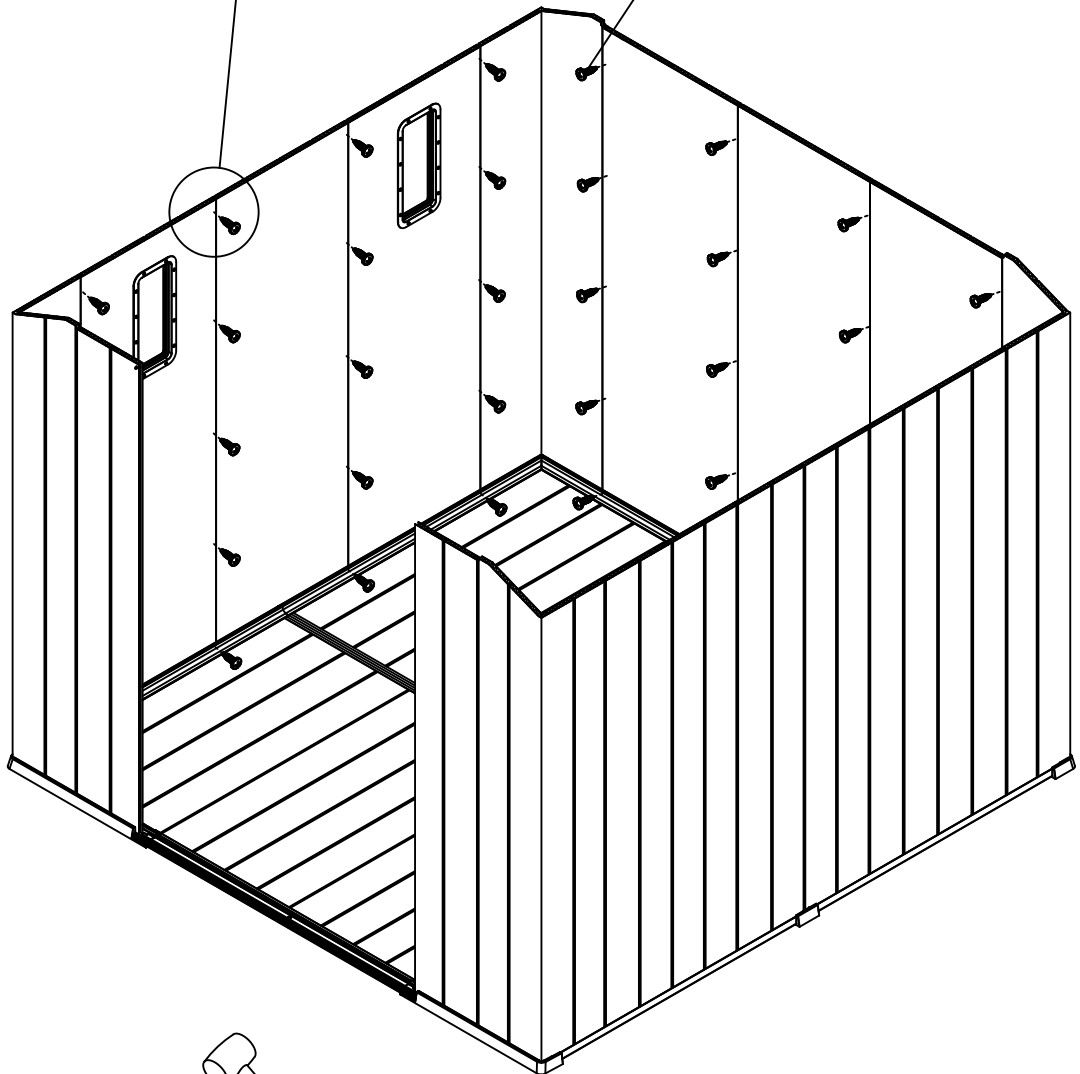
70x

<17>



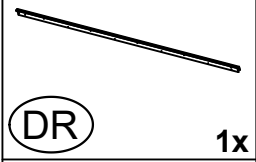
The screw is screwed in at the junction of the board

1 x70

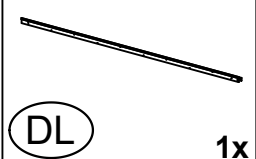


**Tool:**

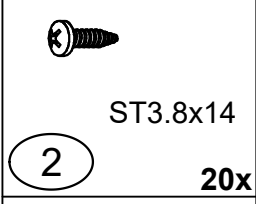
When screwing in self tapping screws, pay attention to keeping the connection points on the same plane except for the specially marked positions



(DR) 1x



(DL) 1x

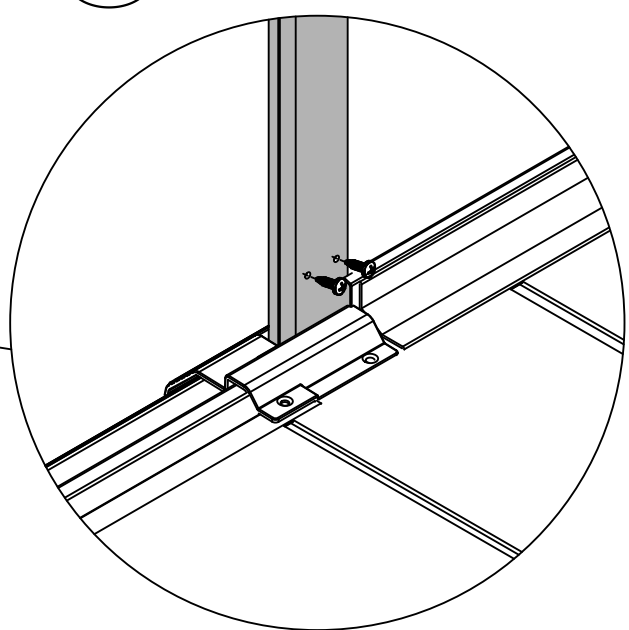
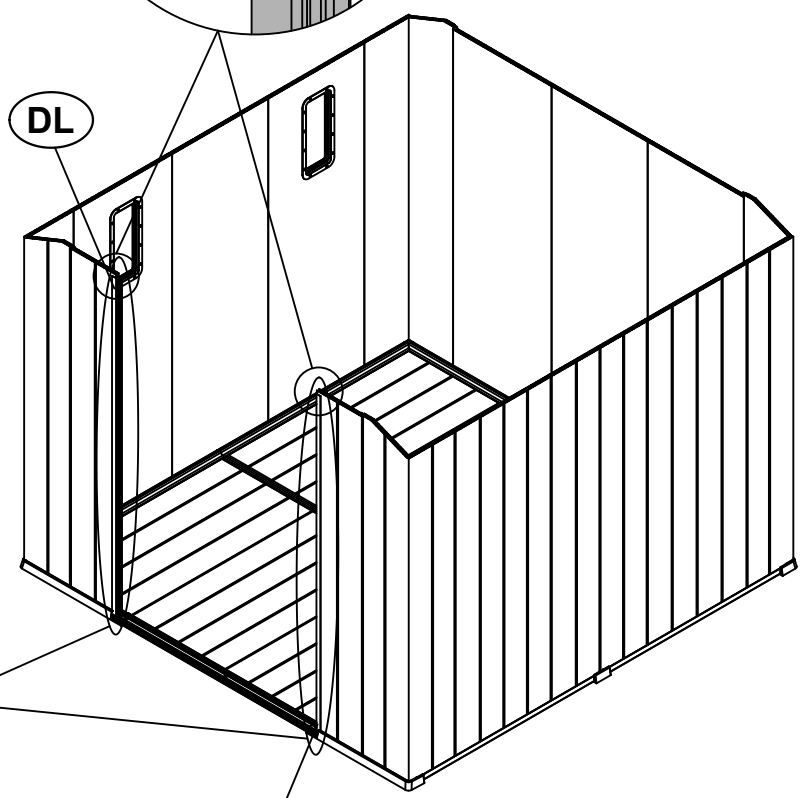
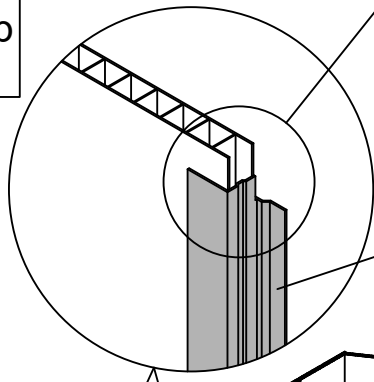
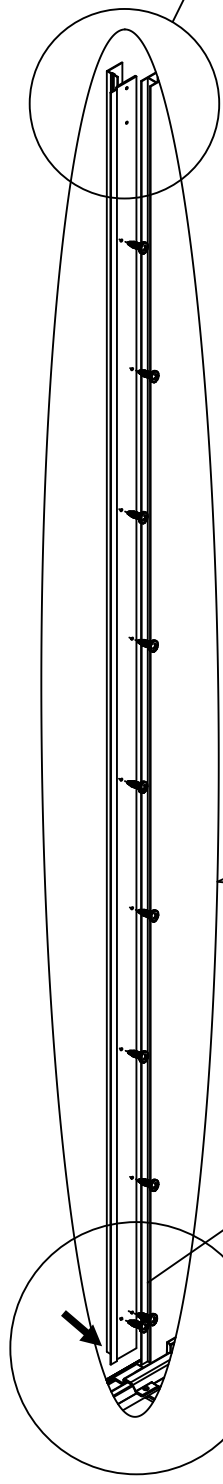


ST3.8x14  
(2) 20x

### <18>


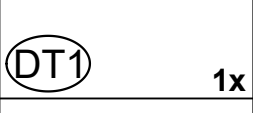

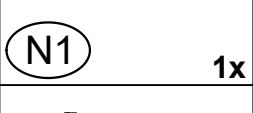

Do not screw the screw into the top hole first

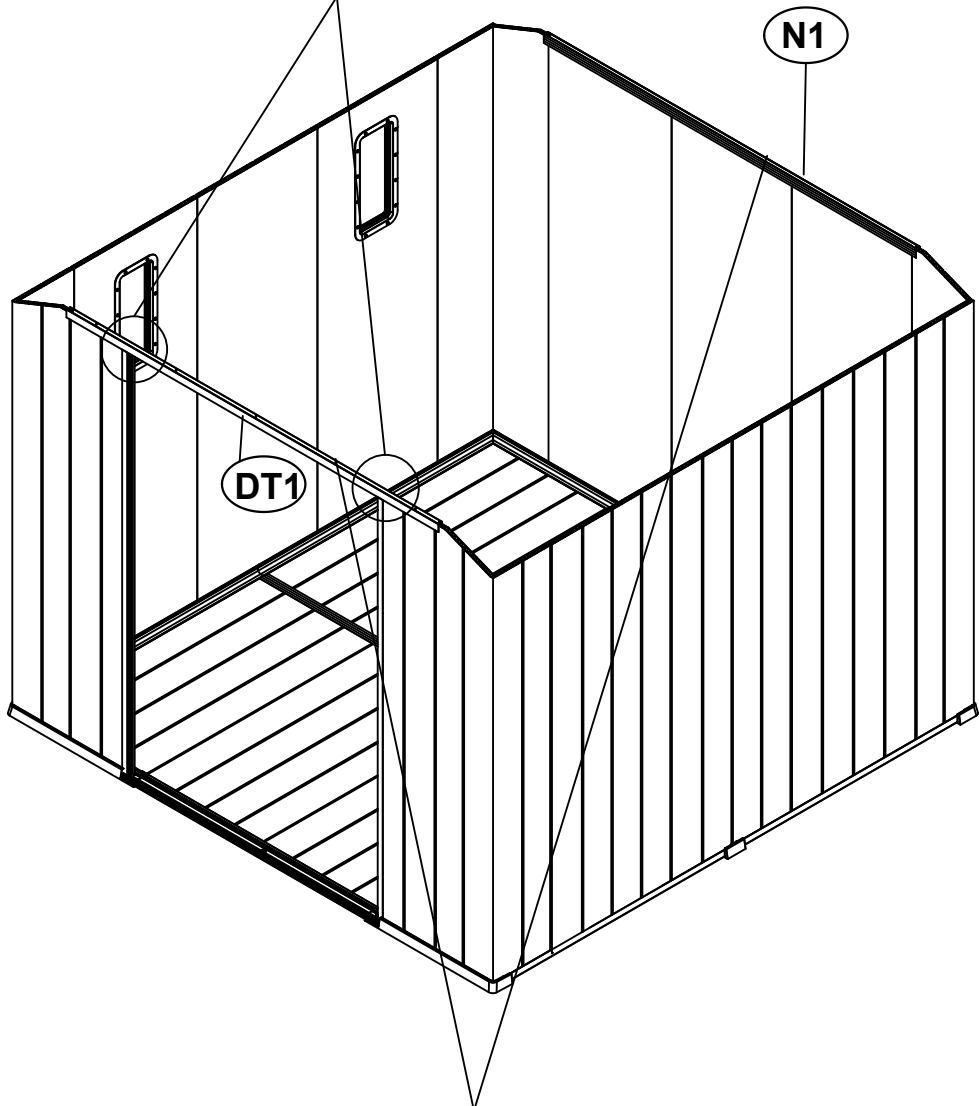
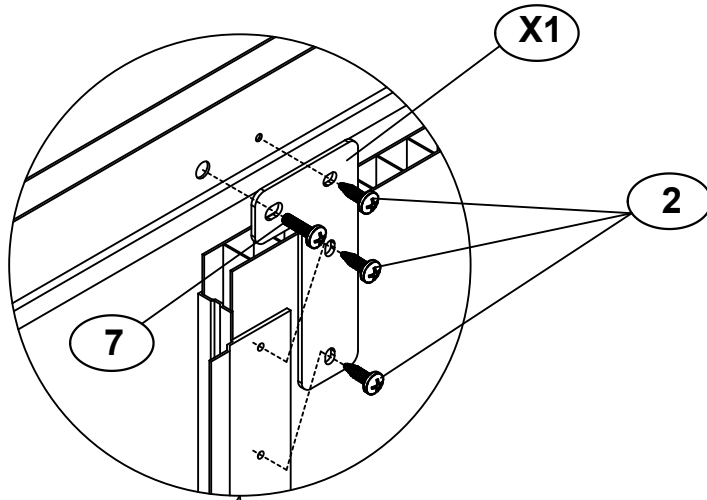
Ensure proper installation before screwing in the self tapping screws



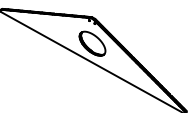
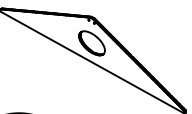




(2) x10

<19>

-   
(DT1) 1x
-   
(N1) 1x
-   
ST3.8x14  
(2) 6x
-   
M6x15  
(7) 2x
-   
(X1) 2x

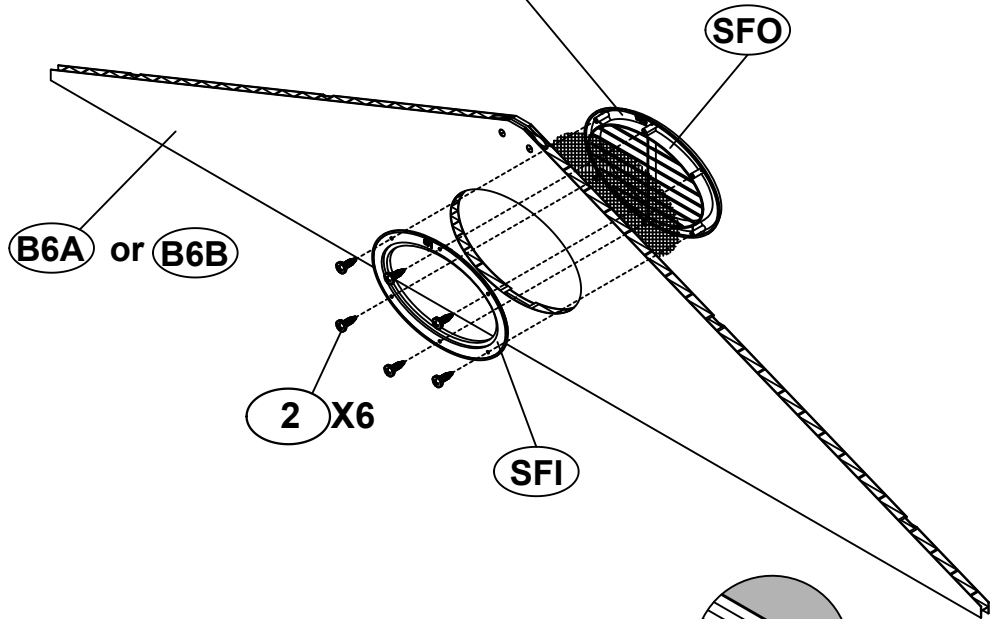


#DT1# and #N1# should be placed in the center as much as possible

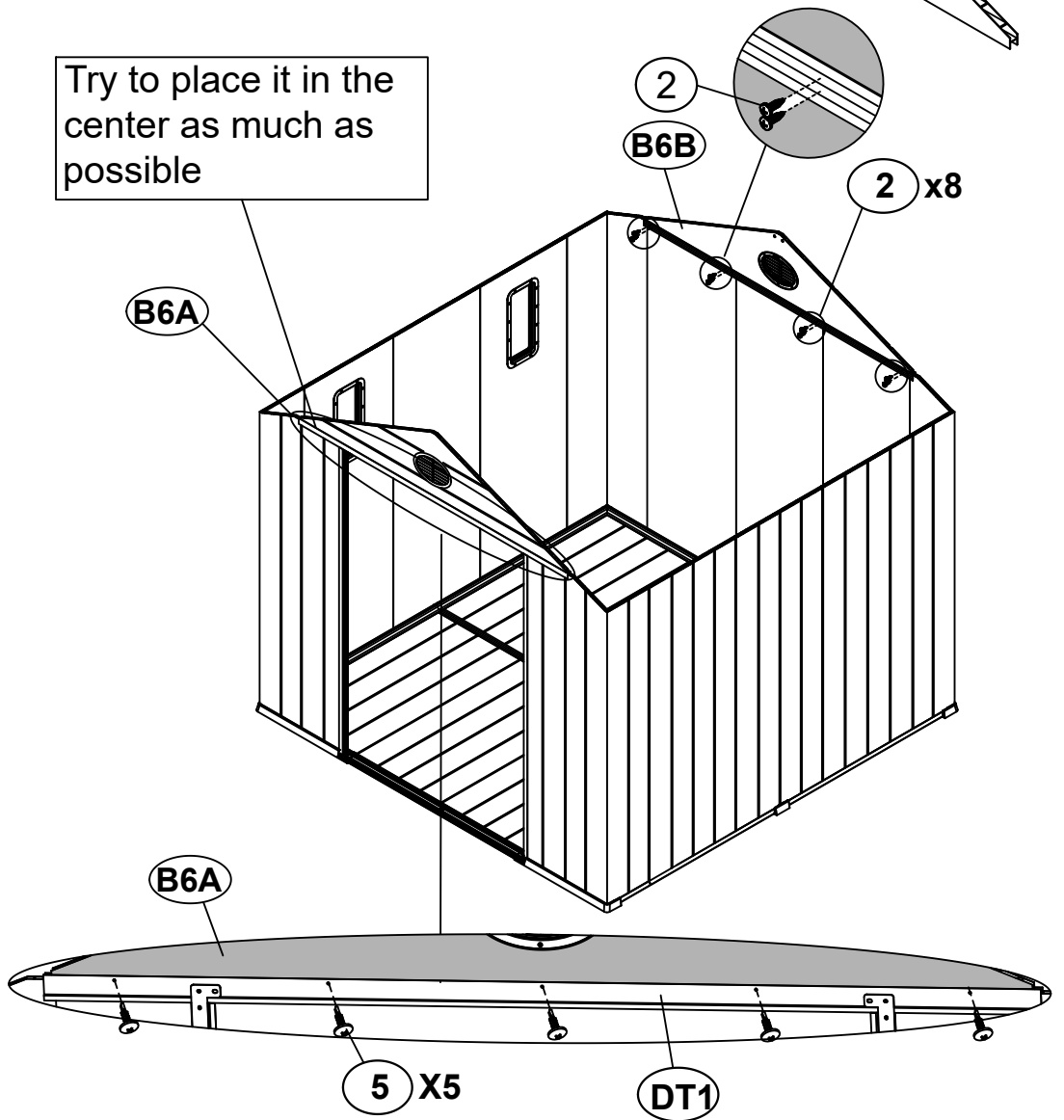
-  **(B6A)** 1x
-  **(B6B)** 1x
-  **(SFI)** 2x
-  **(SFO)** 2x
-  **(2)** ST3.8x14 20x
-  **(5)** ST4.2x16 5x

**<20>**

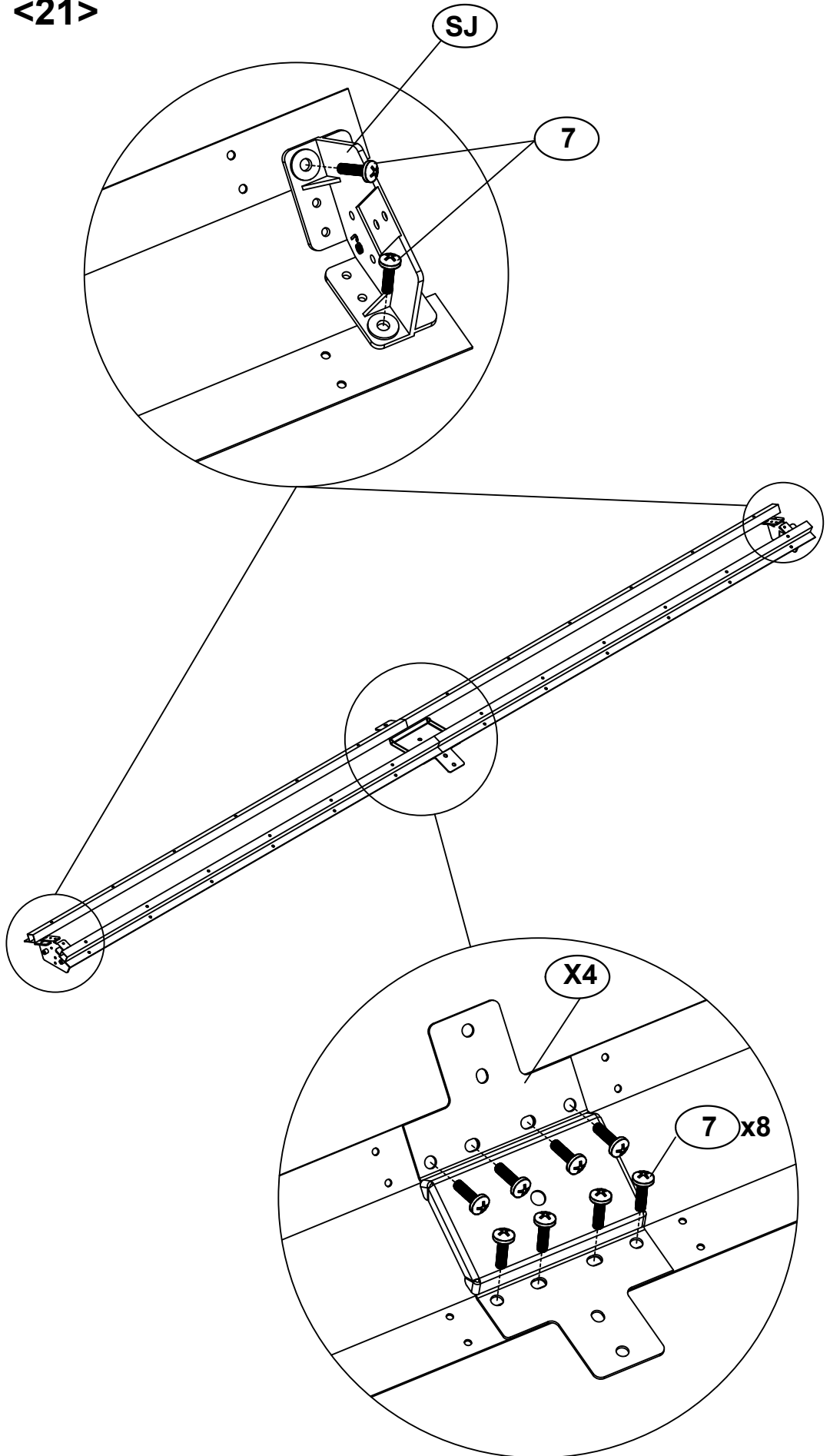
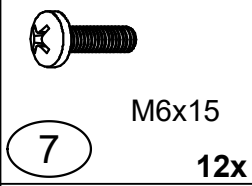
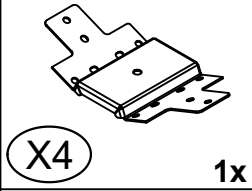
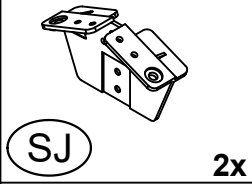
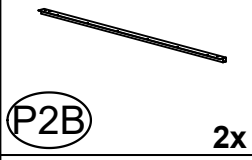
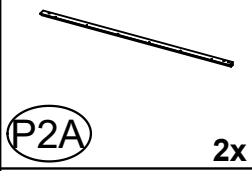
Pay attention to the direction of ventilation window, The wrong installation will cause water in the house.



Try to place it in the center as much as possible



<21>



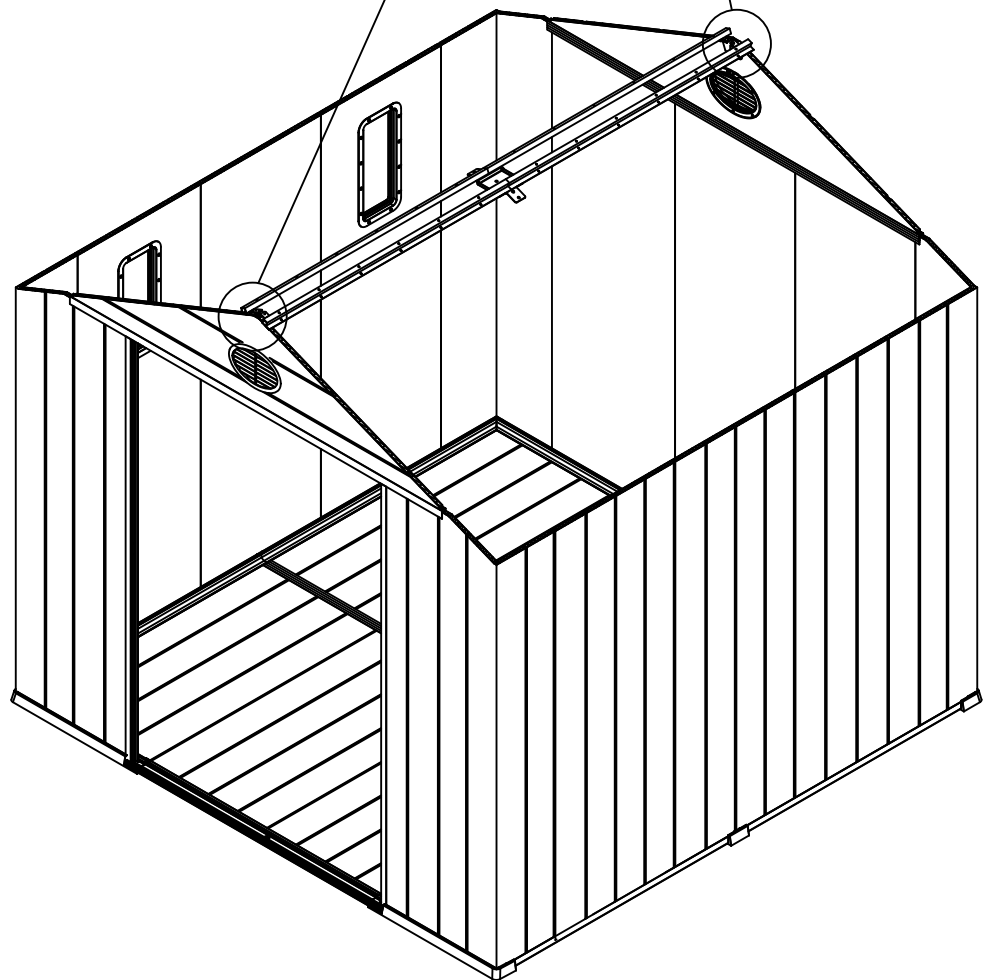
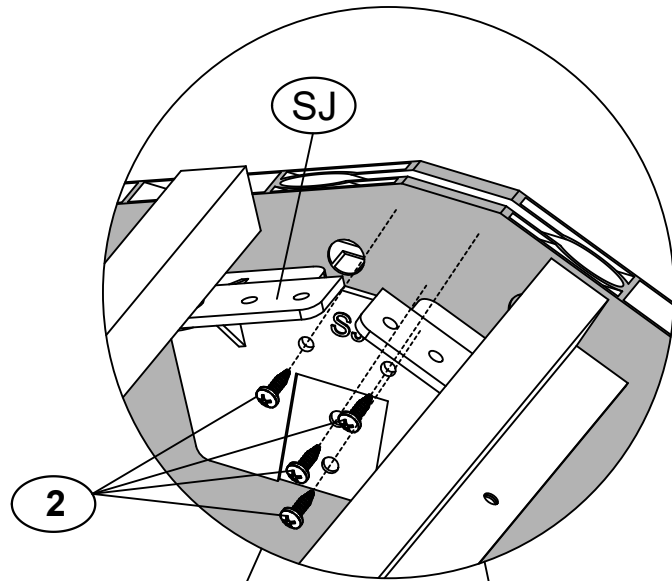


ST3.8x14





2

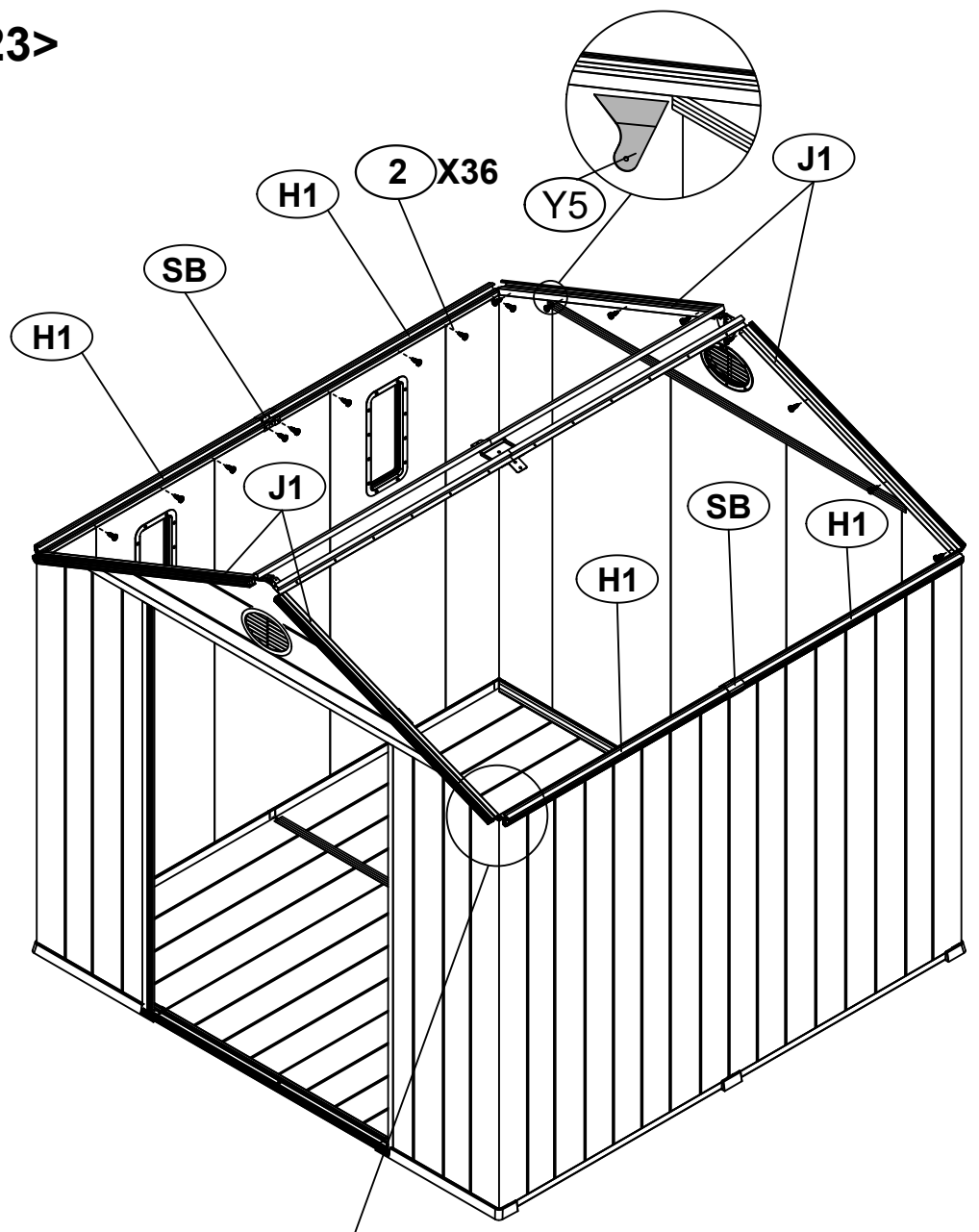
8x

<22>

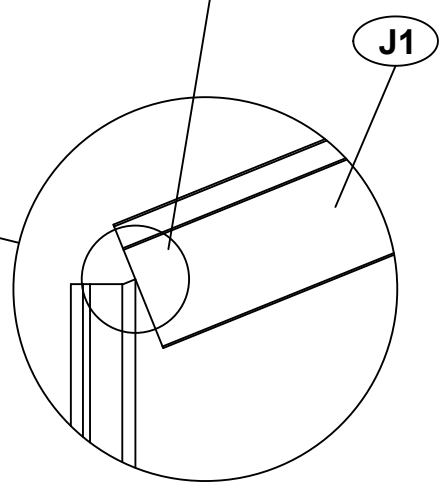
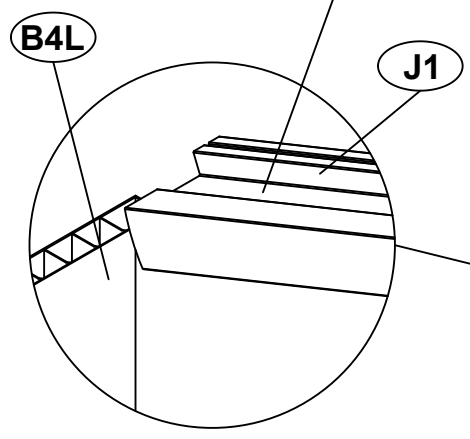


<23>

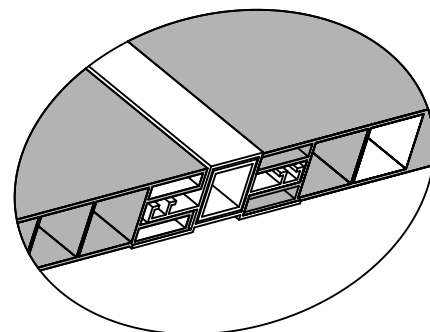
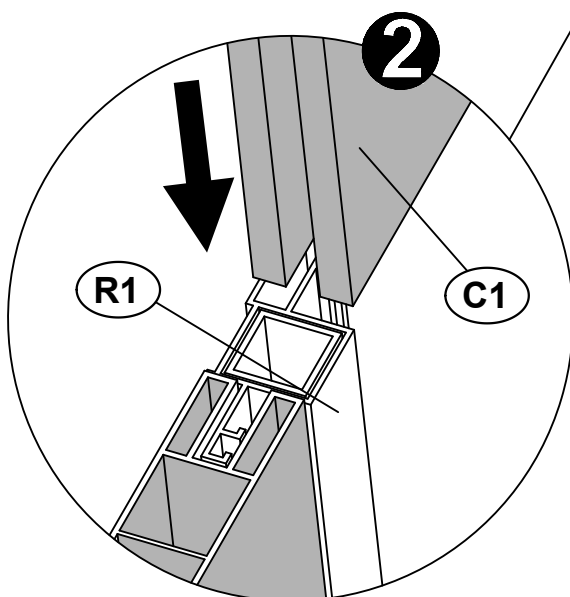
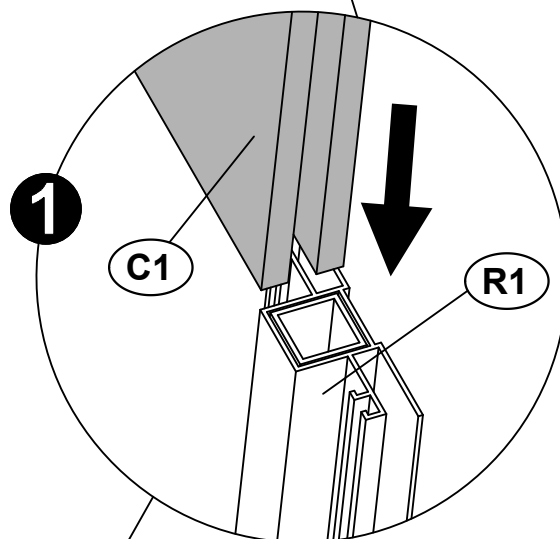
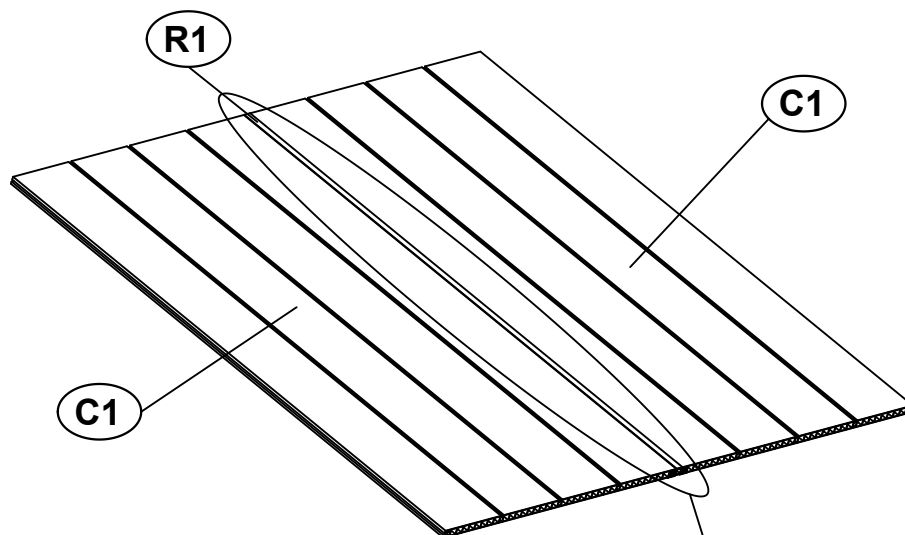
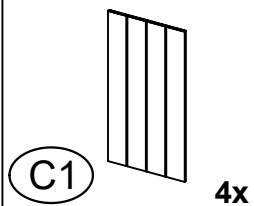
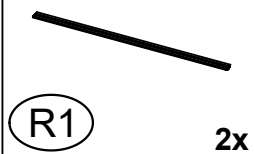
-  **H1** 4x
-  **J1** 4x
-  **SB** 2x
-  **2** 36x  
ST3.8x14



#J1# is placed tightly against the bottom edge



<24>



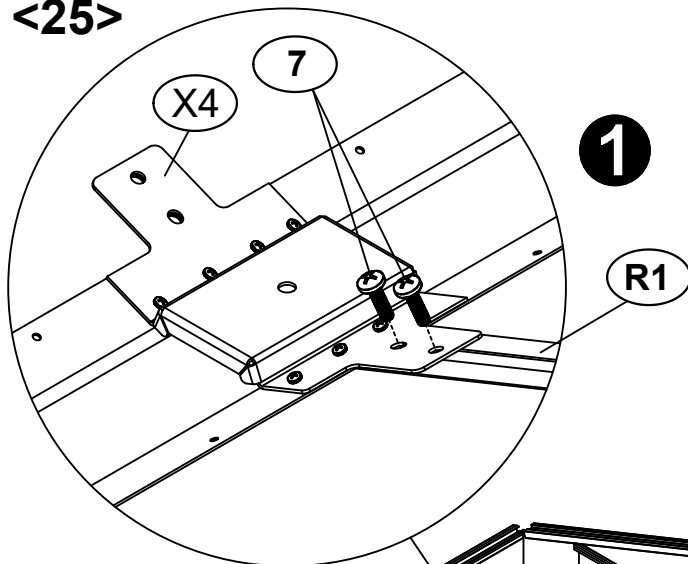


M6x15

7

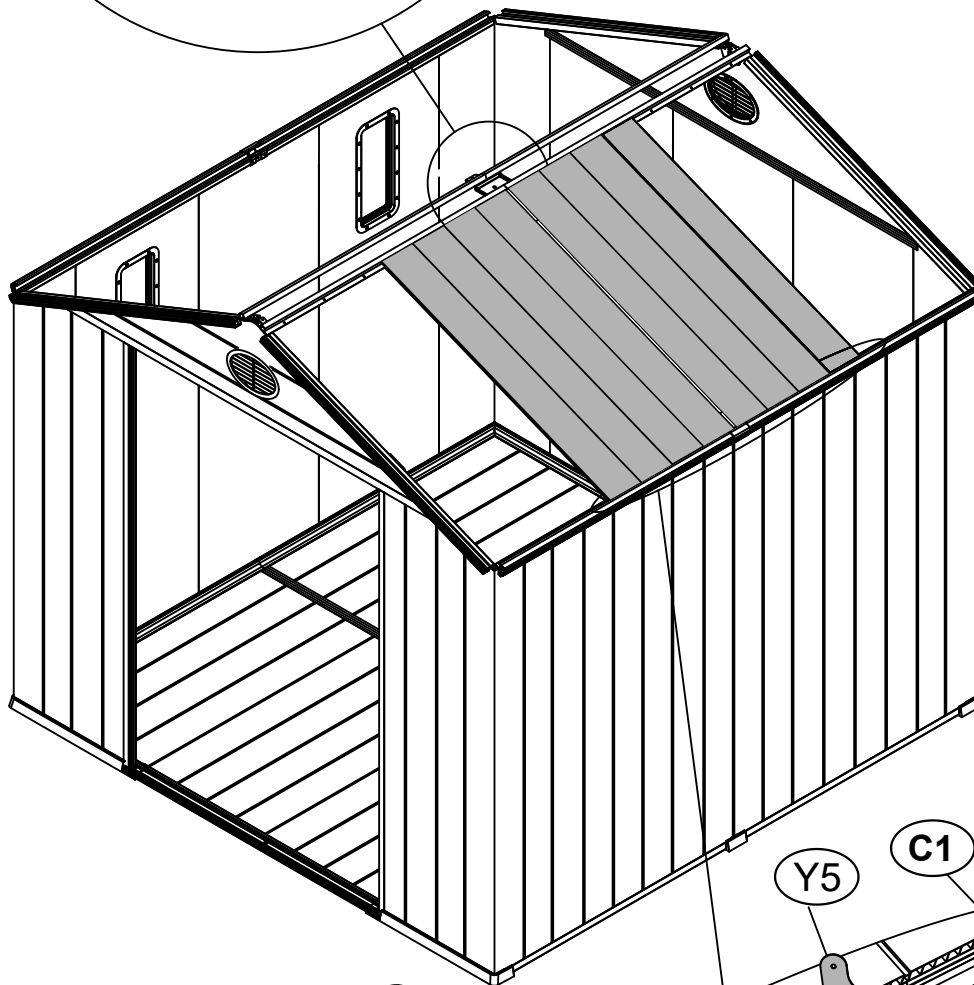
2x

<25>

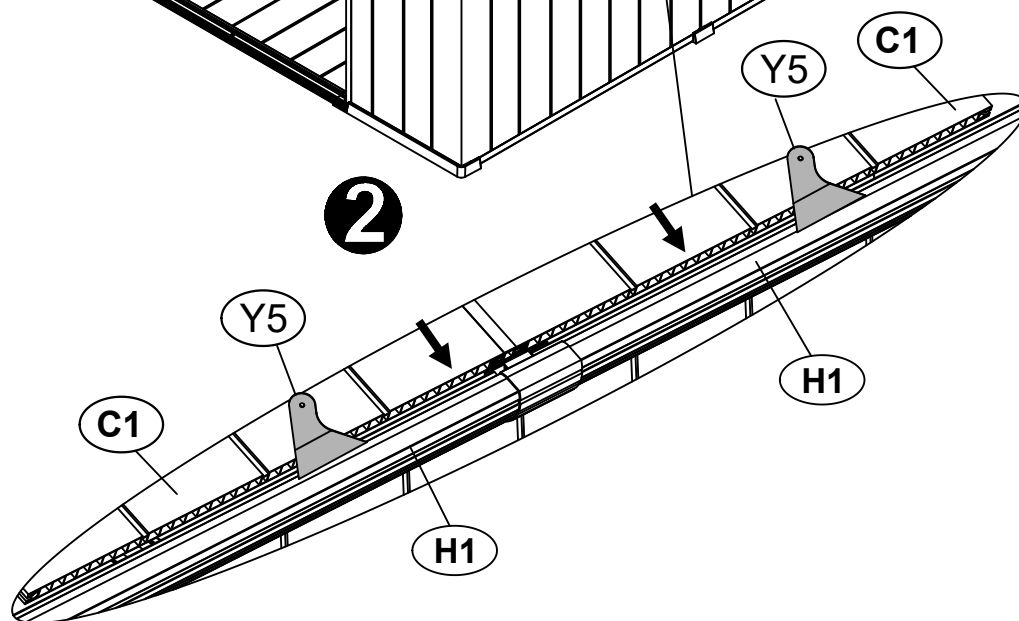


1

R1



2



Y5

C1

Y5

C1

H1

H1

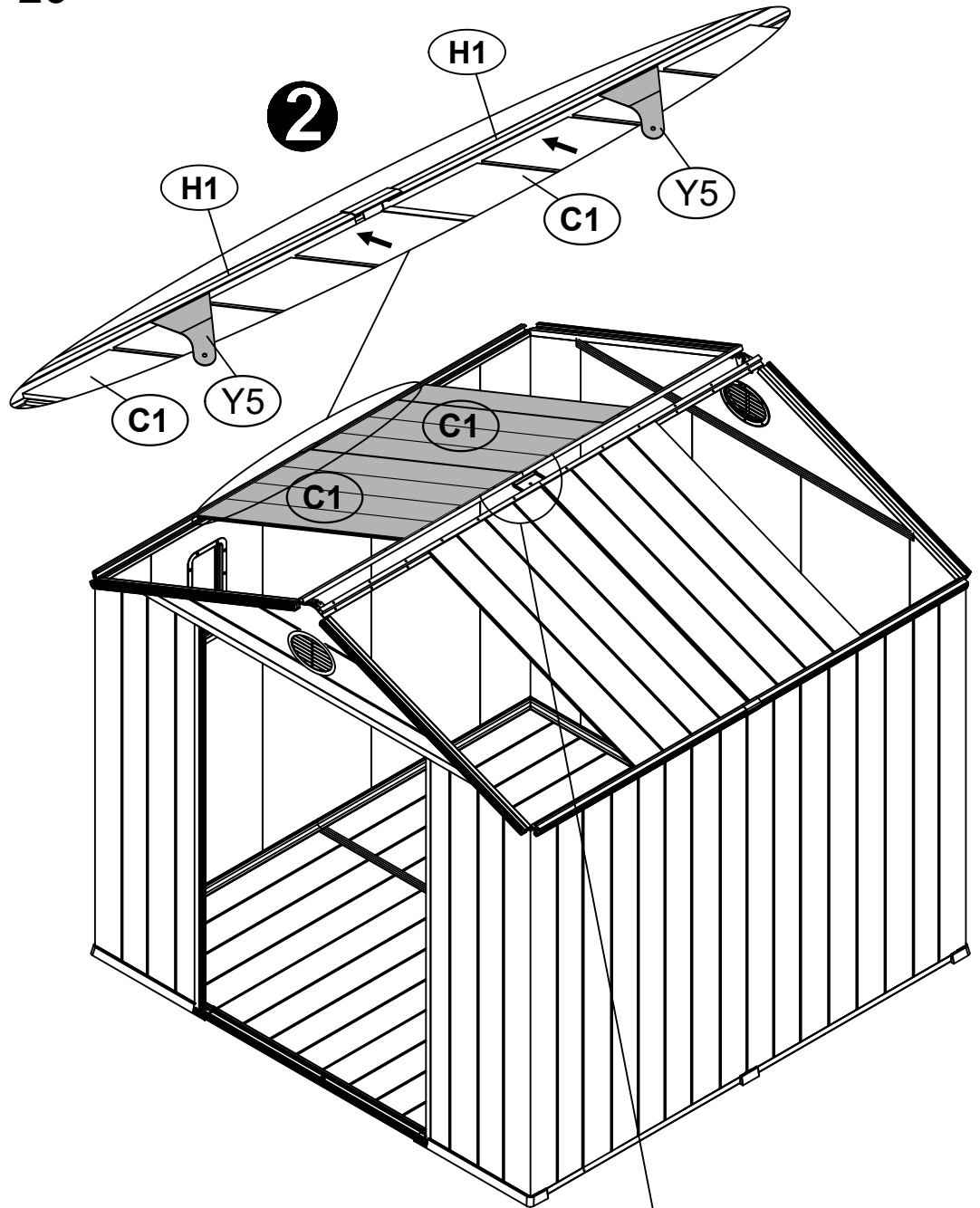


M6x15

7

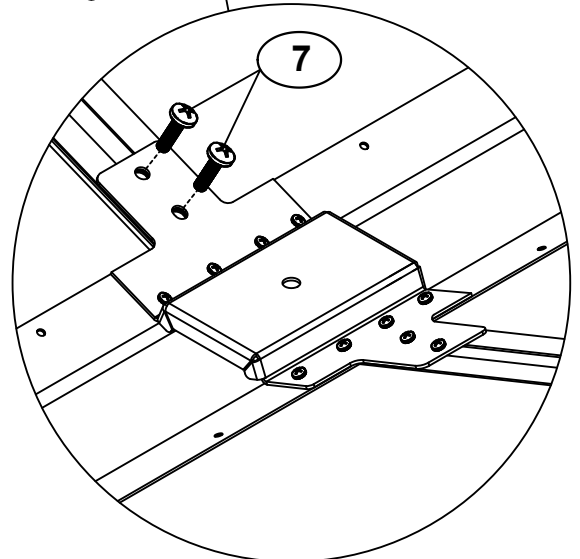
2x

<26>

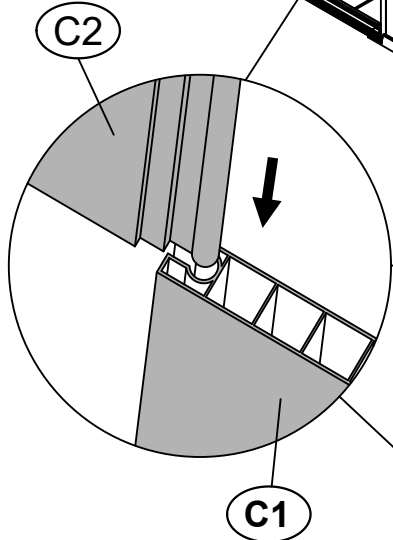
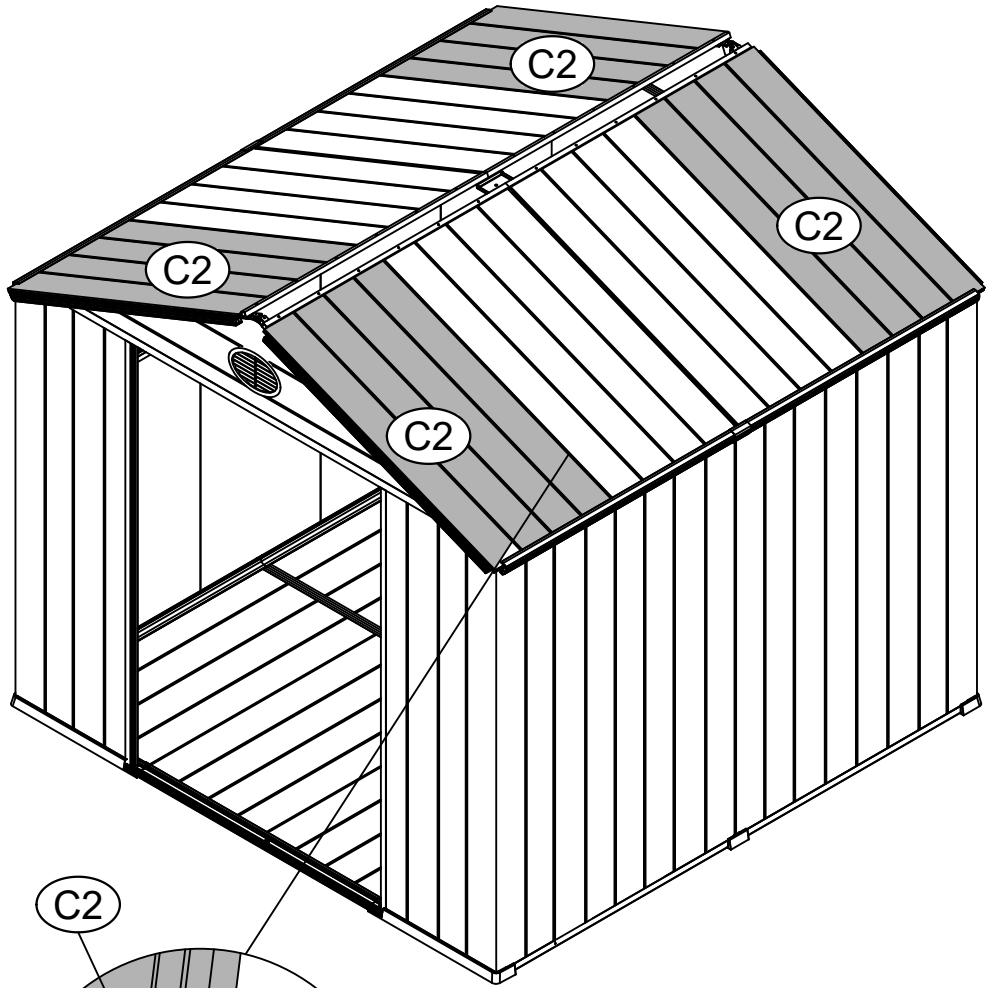
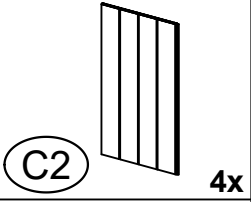


1

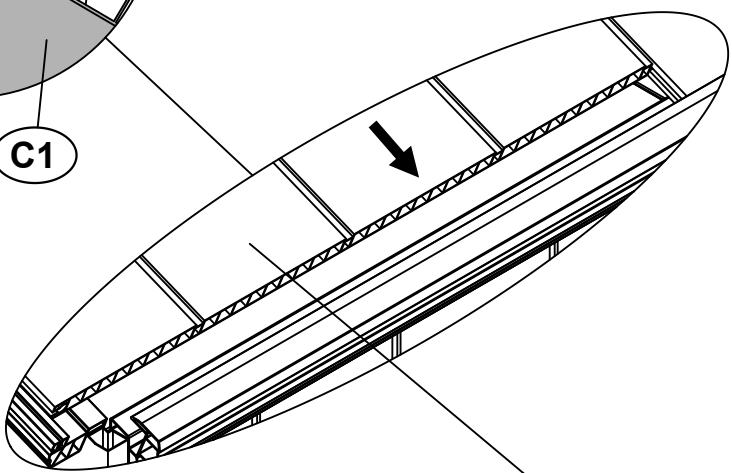
After installation, ensure that #R1# is centered on #SB# before proceeding to the next step



<27>



Lift the edge of #C1# first and then connect to #C2#





Q2

2x



SD

1x

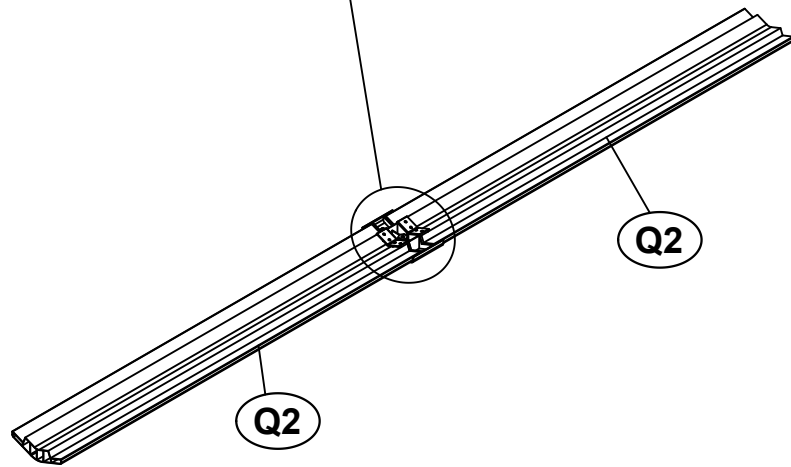
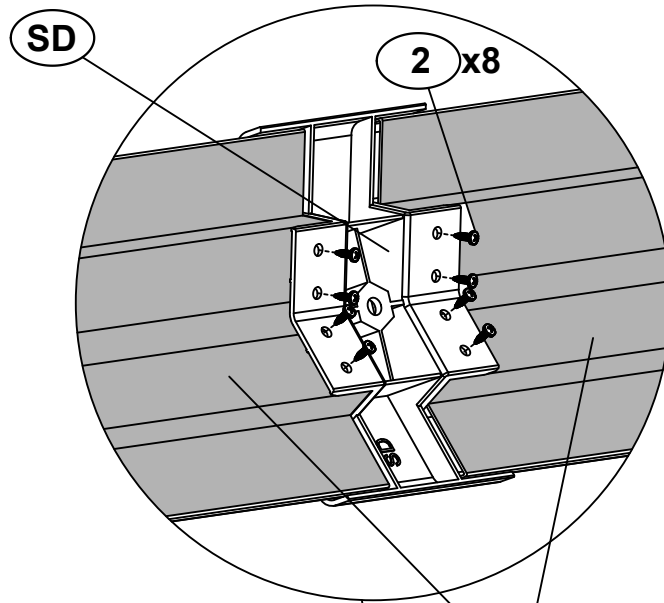


ST3.8x14

2

8x

<28>

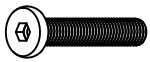




ST3.8x14

2

32x



M8x45

10

1x



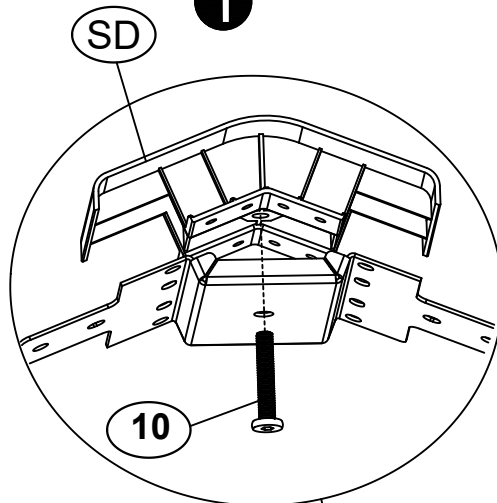
ST4.8x32

4

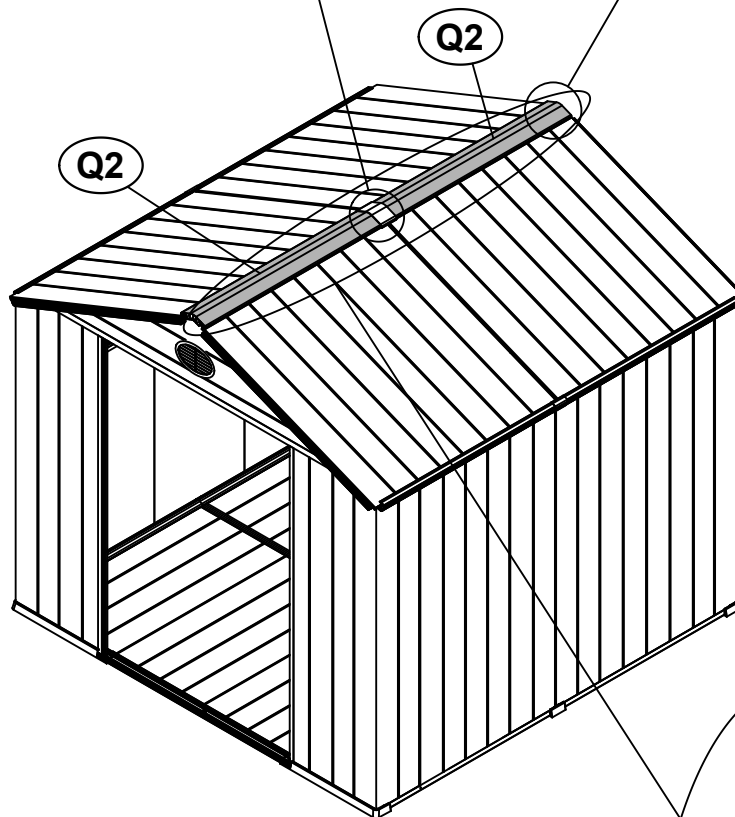
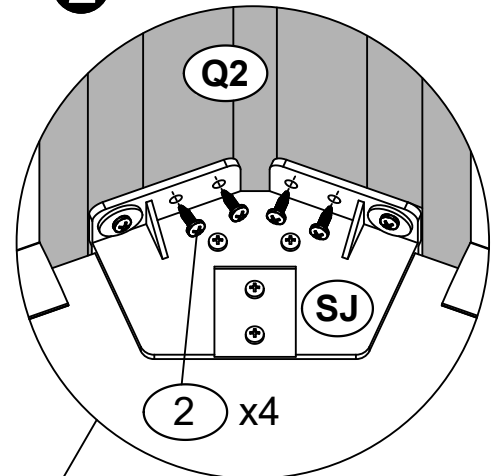
24x

<29>

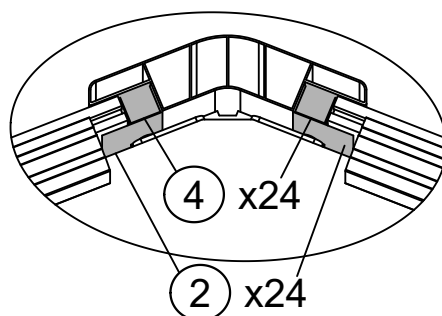
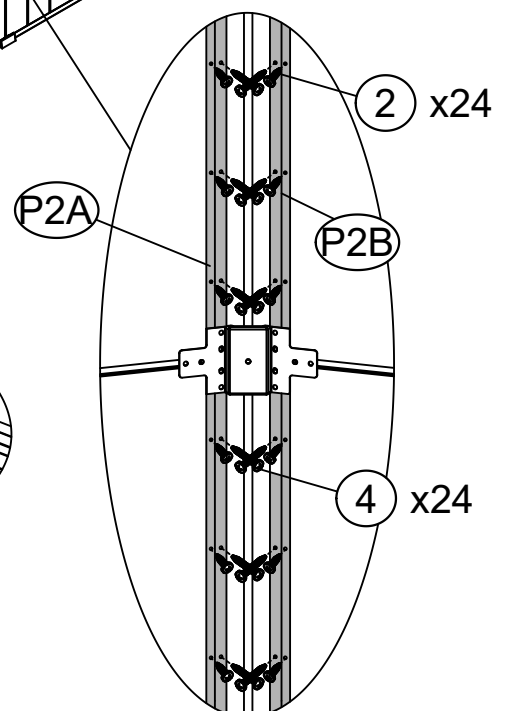
1



2



3





K1

4x

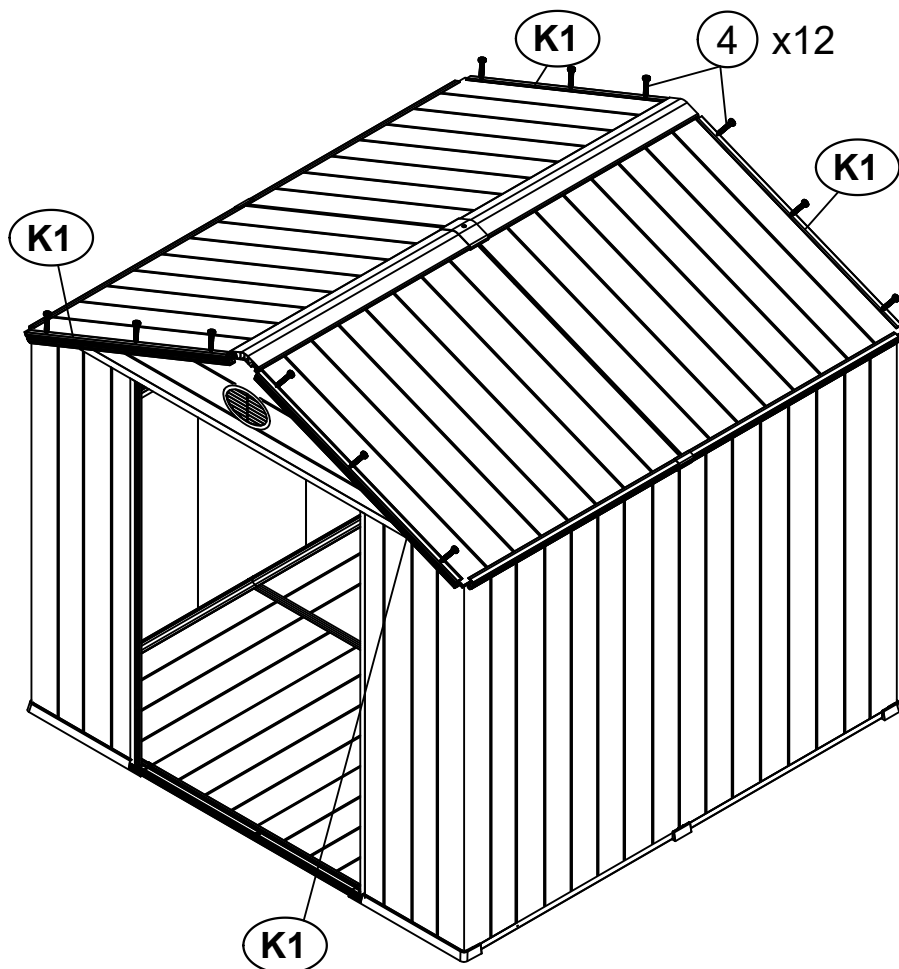
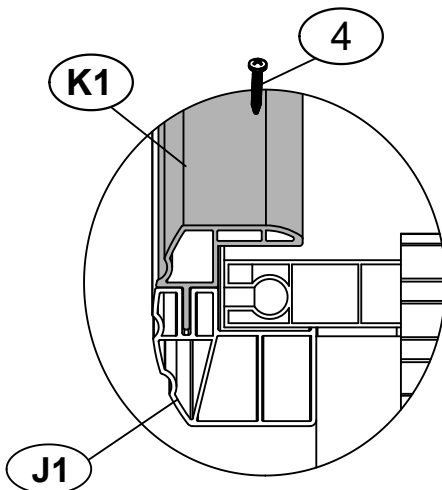


ST4.8x32

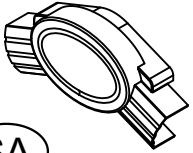
4

12x

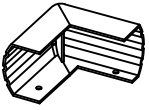
<30>



<31>



SA 2x



SCA 2x

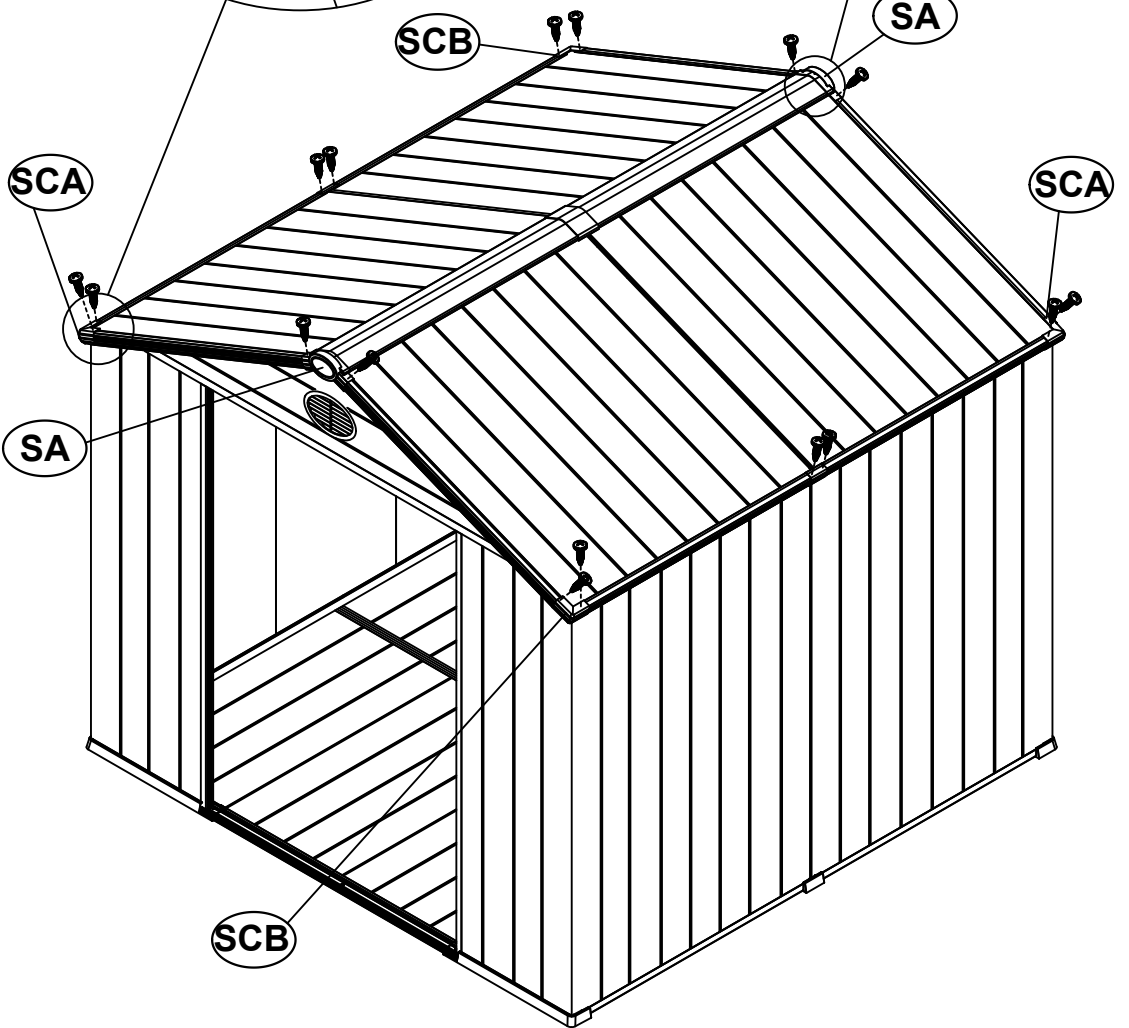
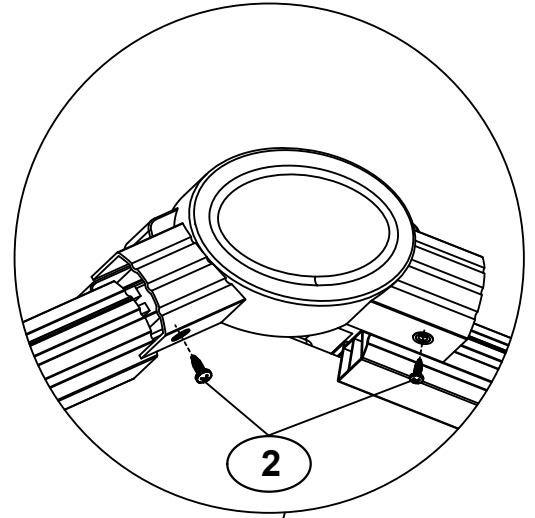
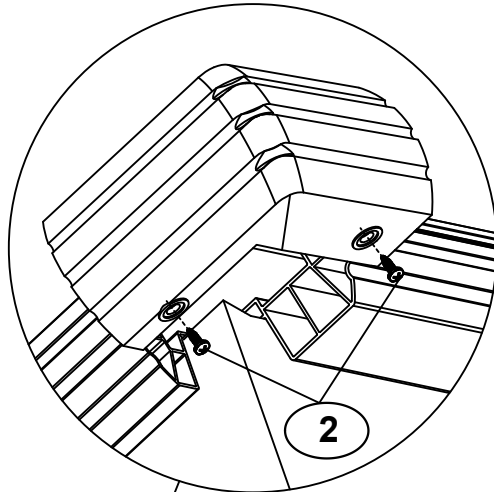


SCB 2x




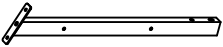

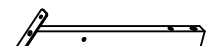


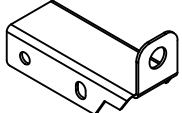
ST3.8x14

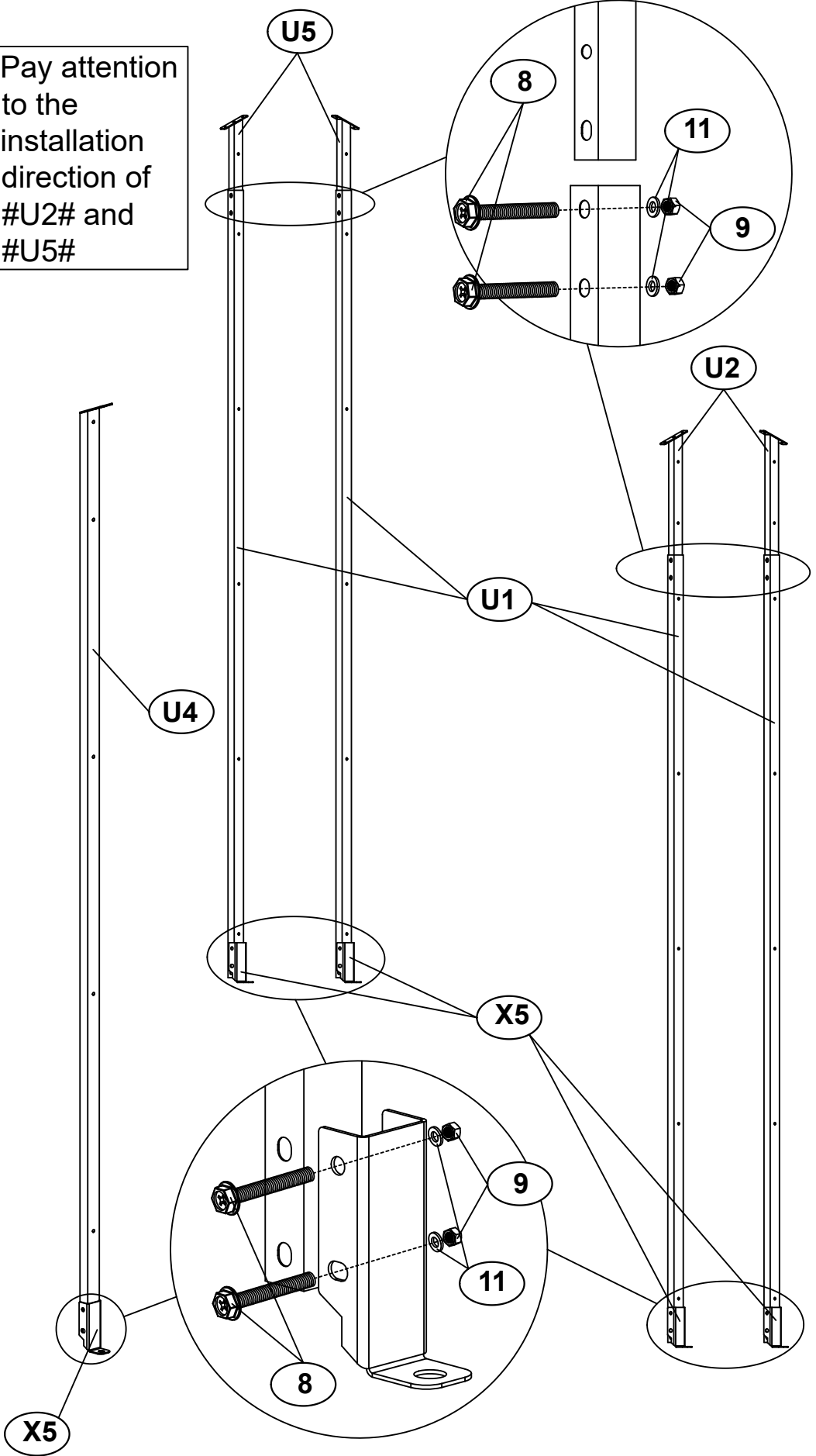
2 28x



<32>

Pay attention to the installation direction of #U2# and #U5#

	
U1	4x
	
U2	2x
	
U4	2x
	
U5	2x
	M6x40 20x
9	M6 20x
	M6 20x
	6x
40	





ST4.8x32

4

10x

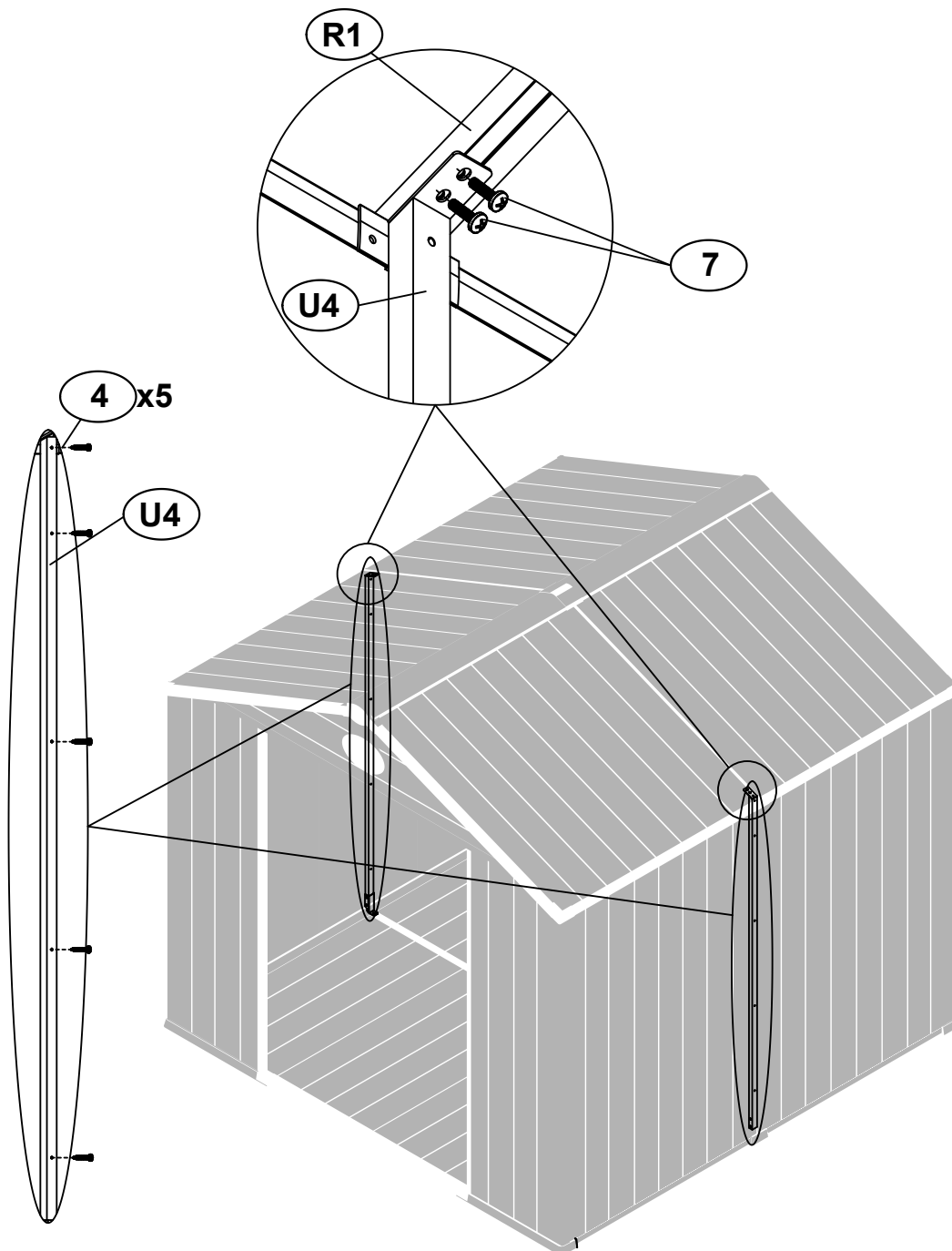


M6x15

7

4x

<33>





ST3.8x14

2

4x

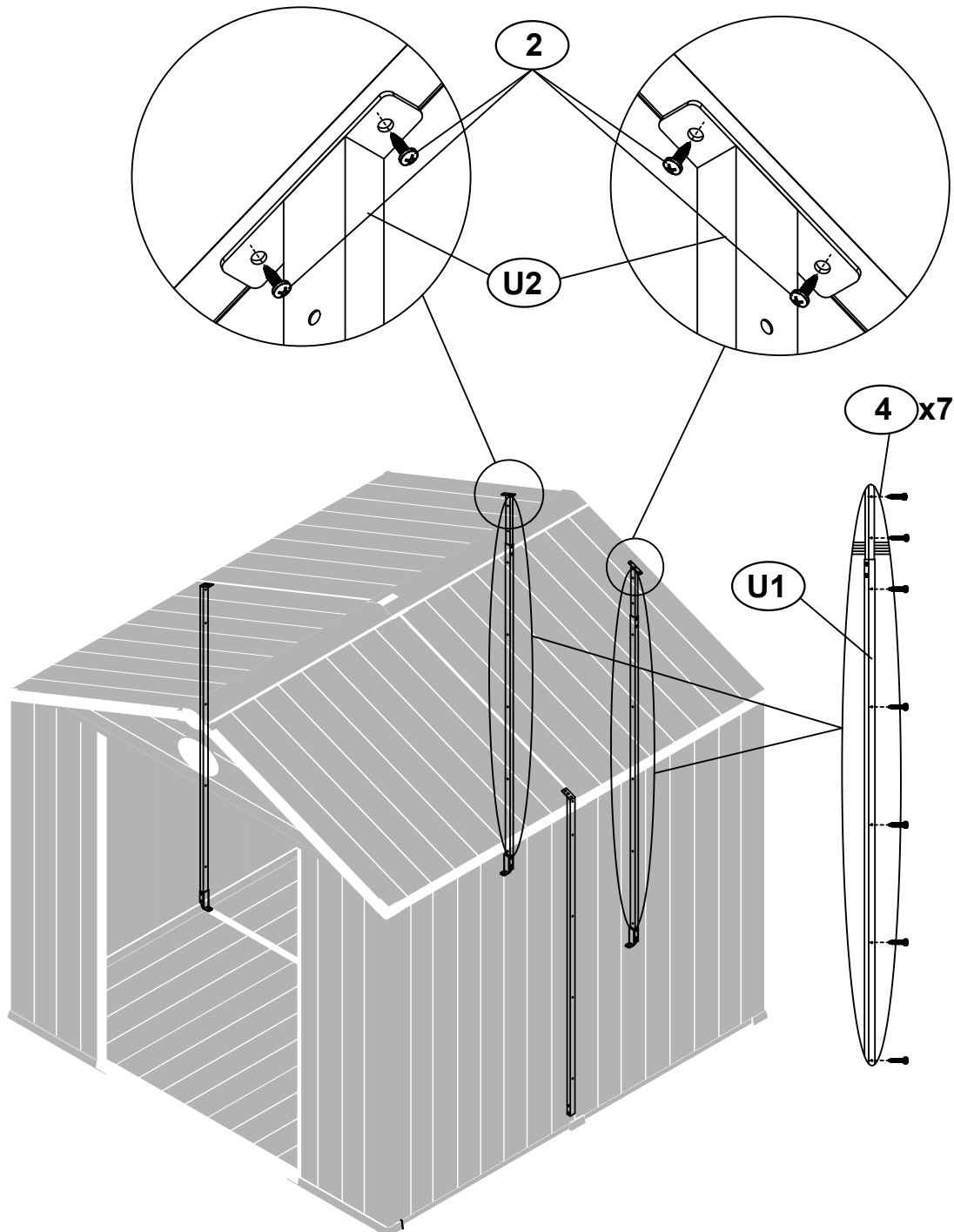


ST4.8x32

4

14x

<34>





ST3.8x14

2

4x

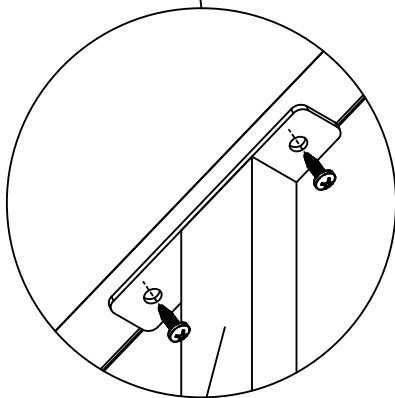
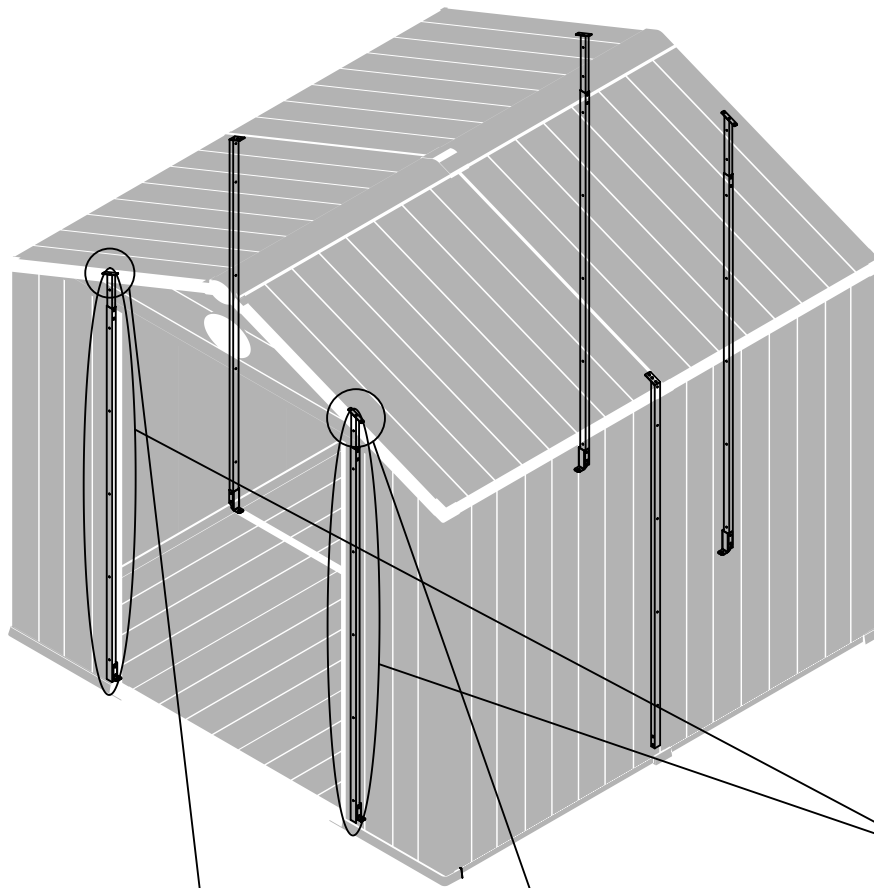


ST4.8x32

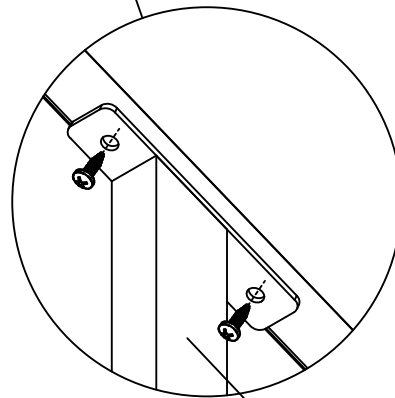
4

12x

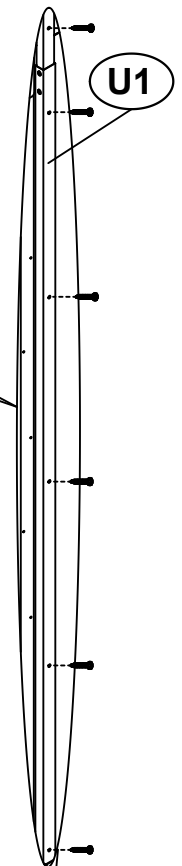
<35>



U5

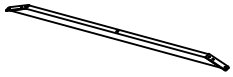


U5

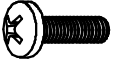


4 x6

<36>



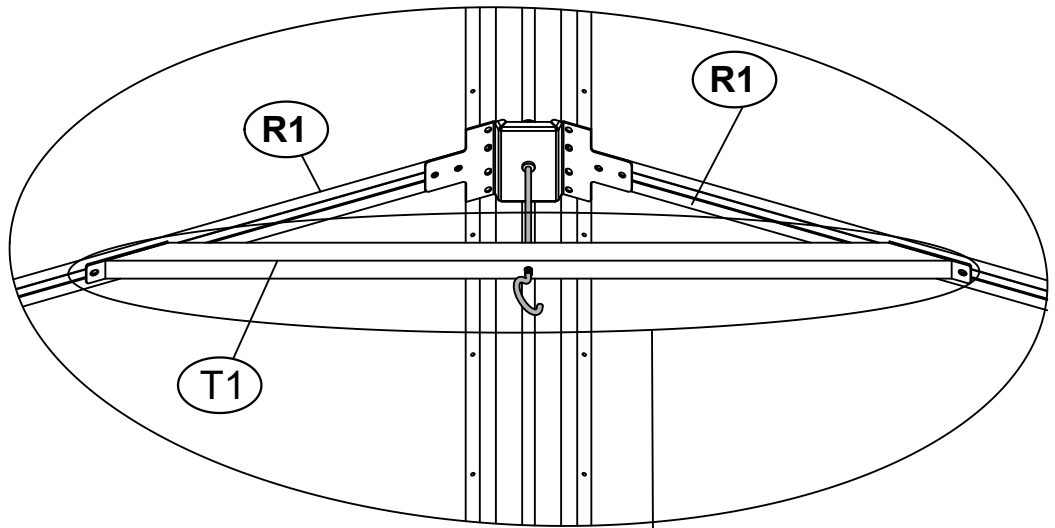
T1 1x



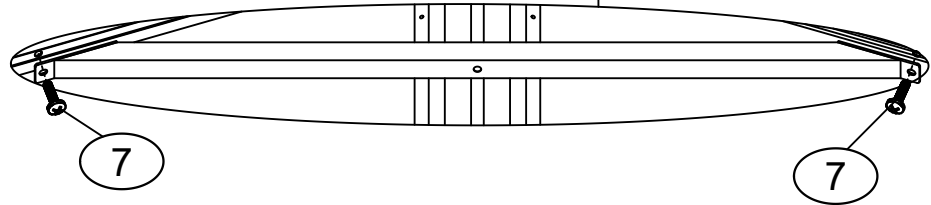
7 M6x15 2x



X6 1x

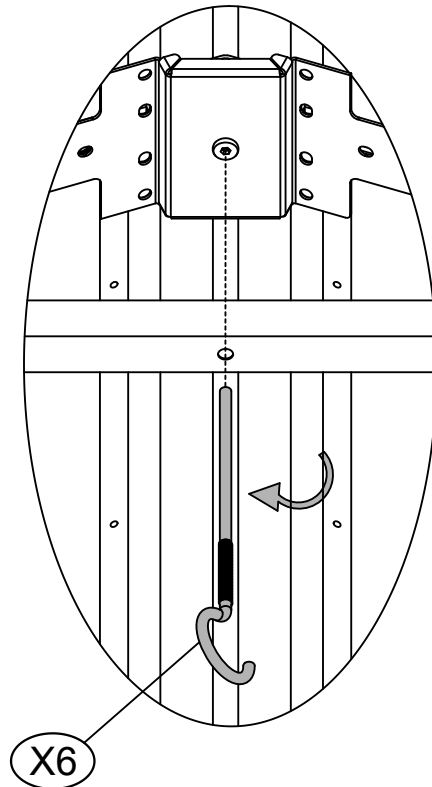


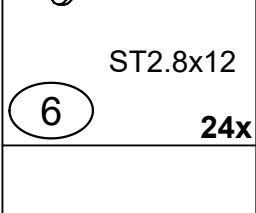
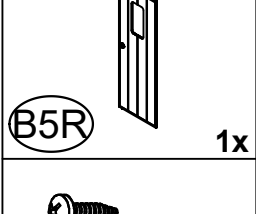
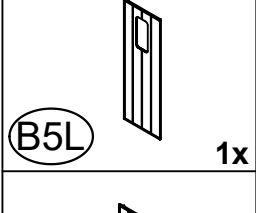
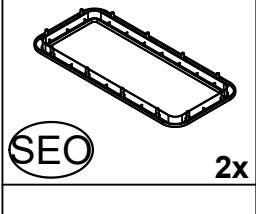
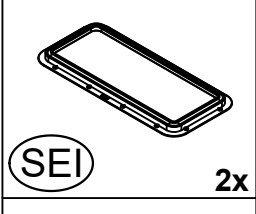
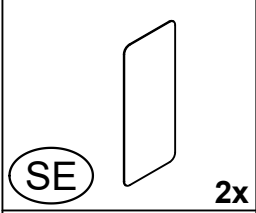
1



During installation, the top should be raised to align #T1# with the hole position

2

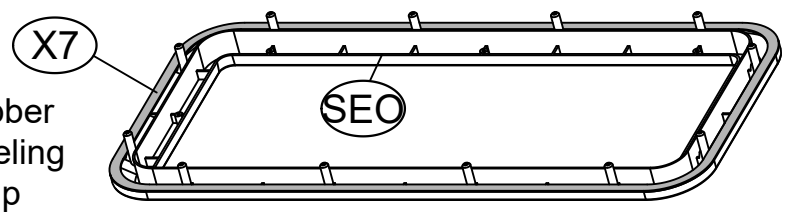




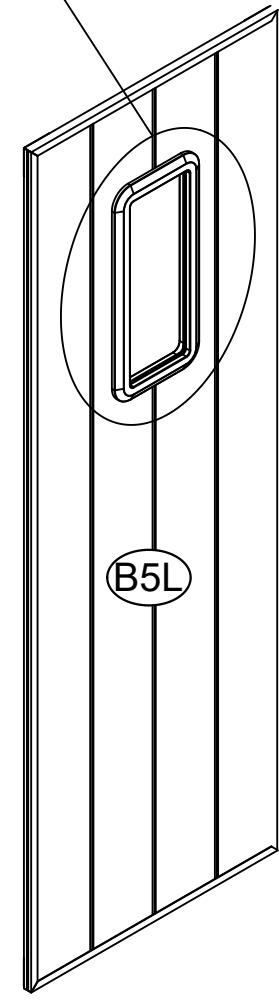
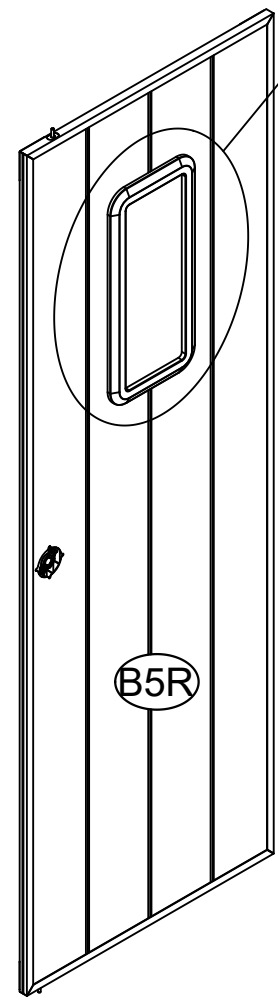
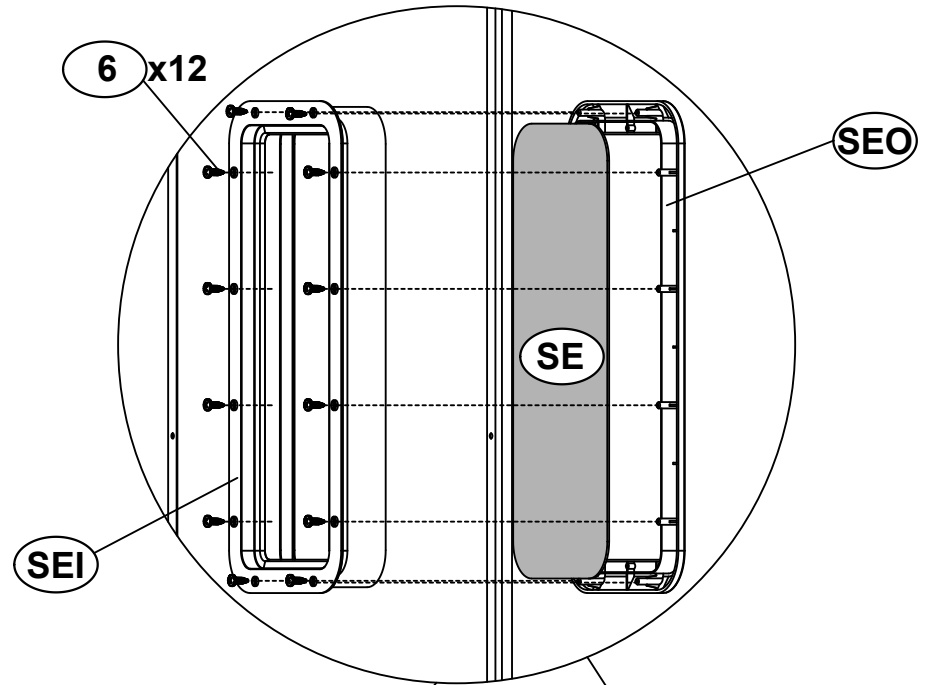
<37>

1

rubber  
sealing  
strip



2



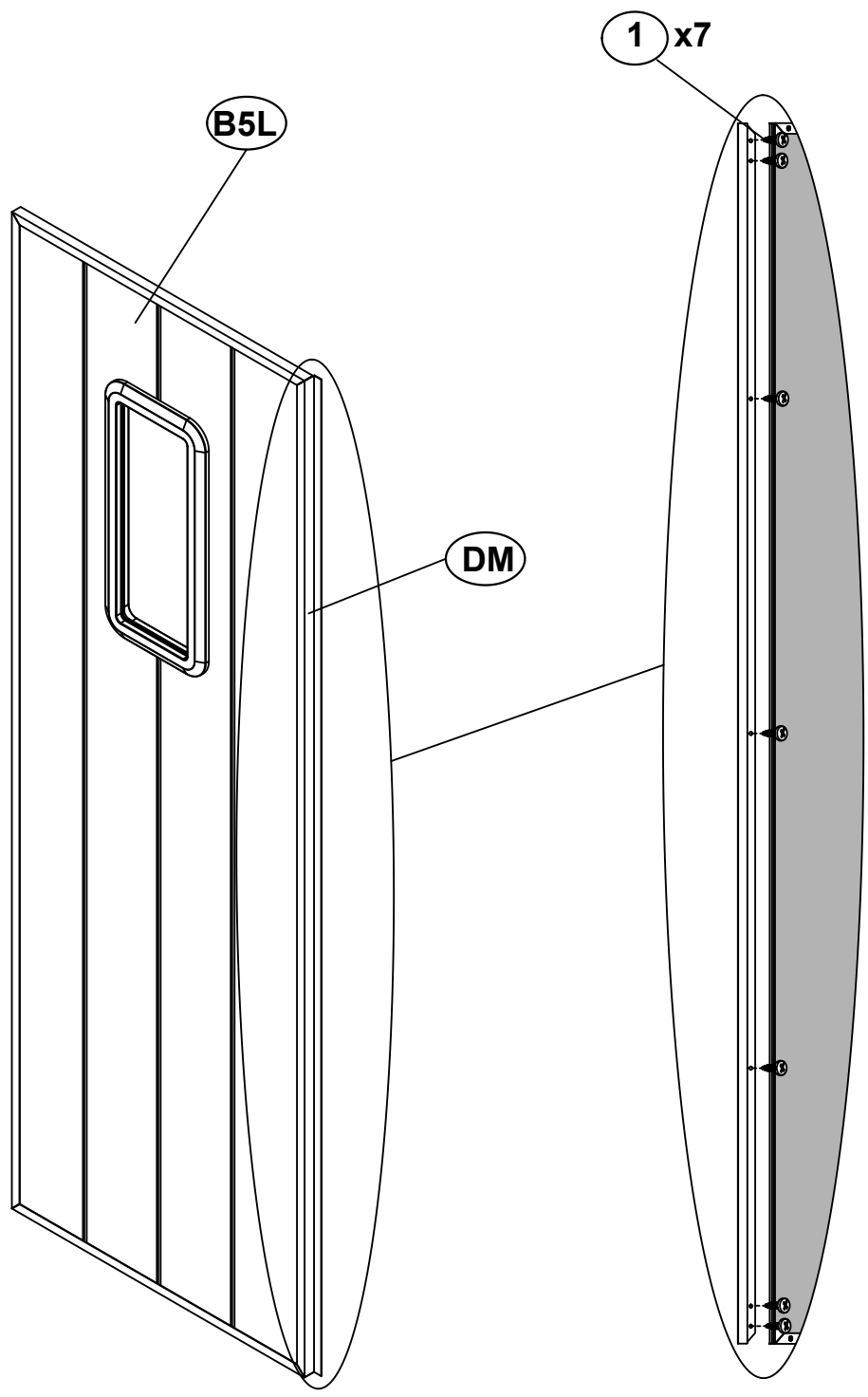
<38>



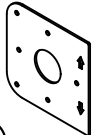
DM 1x



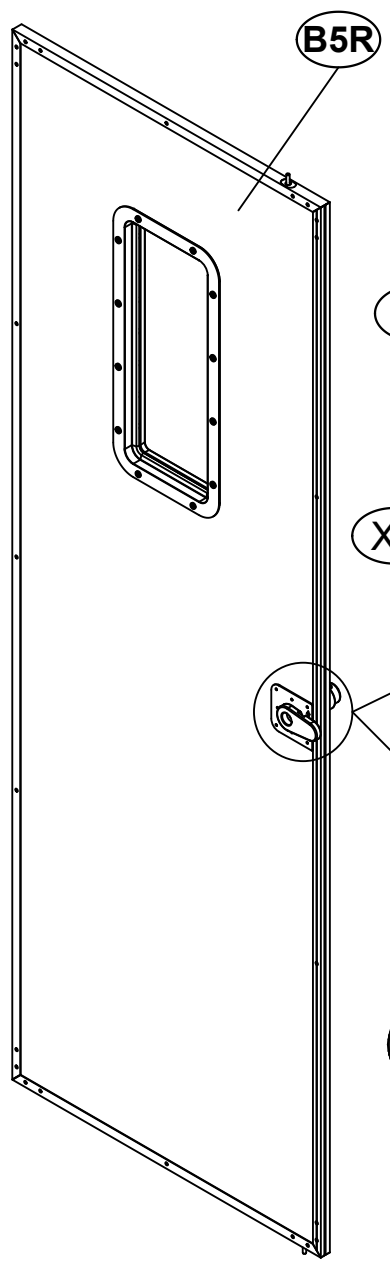
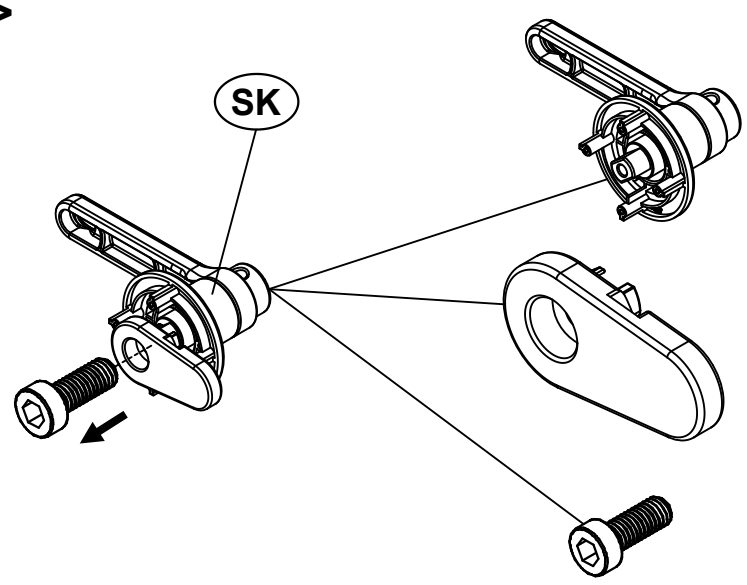
ST3.8x12

1 7x

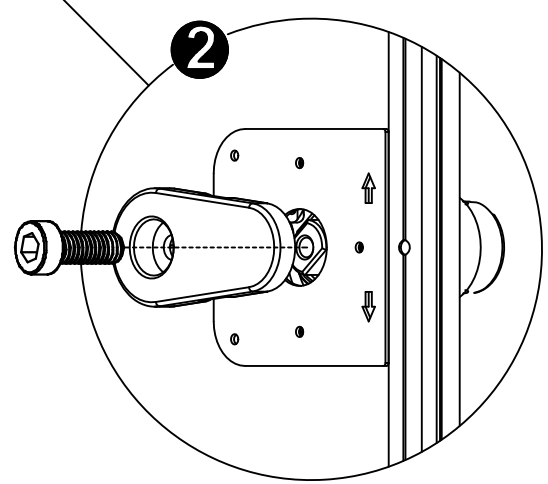
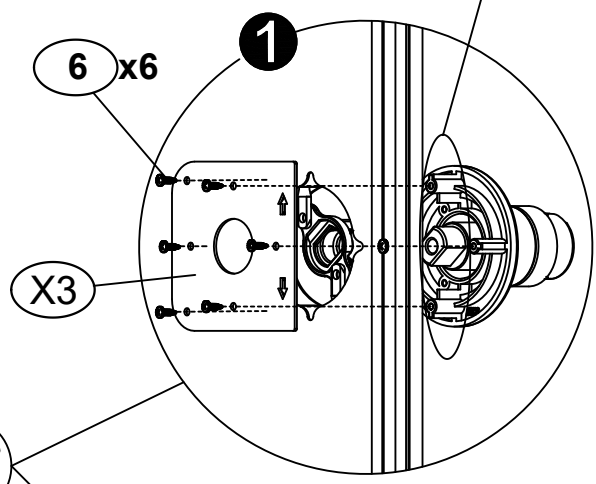


-  (SK) 1x
-  ST2.8x12 (6) 6x
-  (X3) 1x

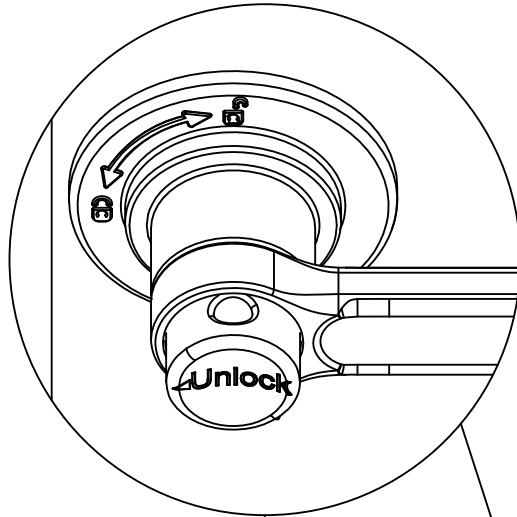
<39>



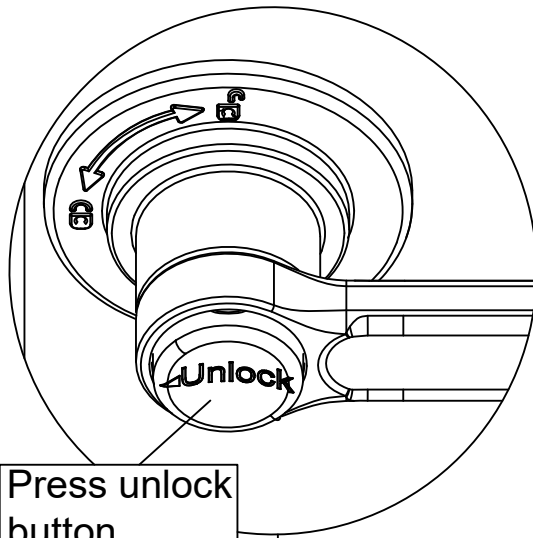
The direction of the raised steps during installation is located above and below



<40>

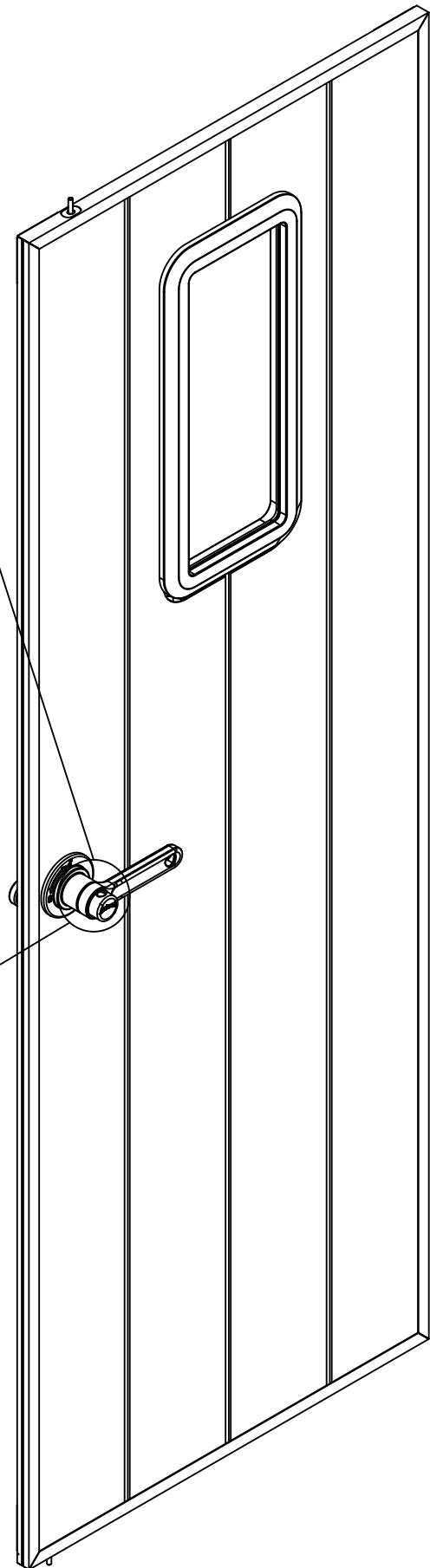


When the door lock button is in this state, the door handle is in the locked state and cannot be rotated



Press unlock button

When the door lock button is in this state, the door lock is unlocked and can be opened by pressing the doorknob

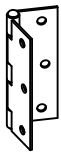




ST3.8x12

3

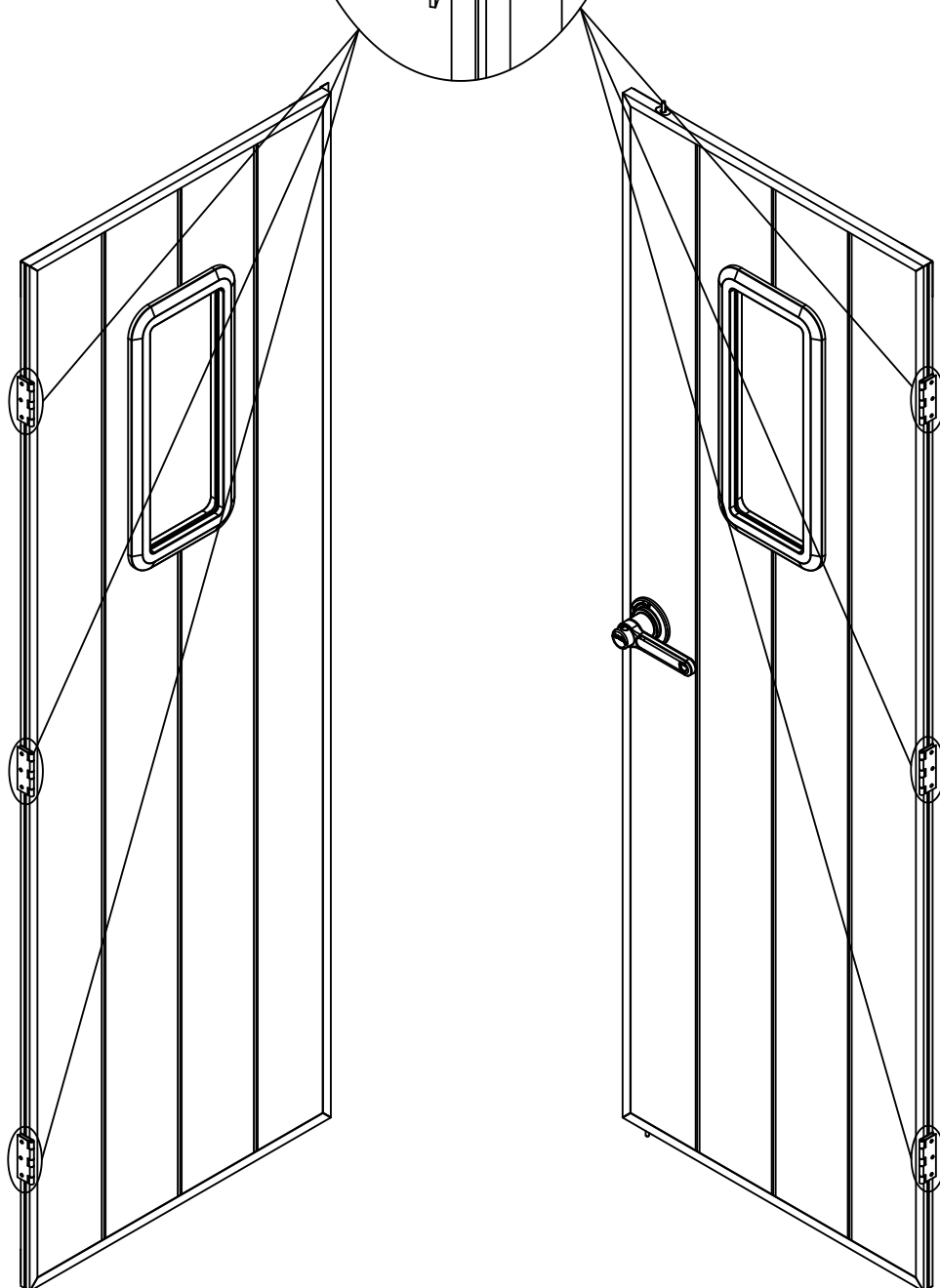
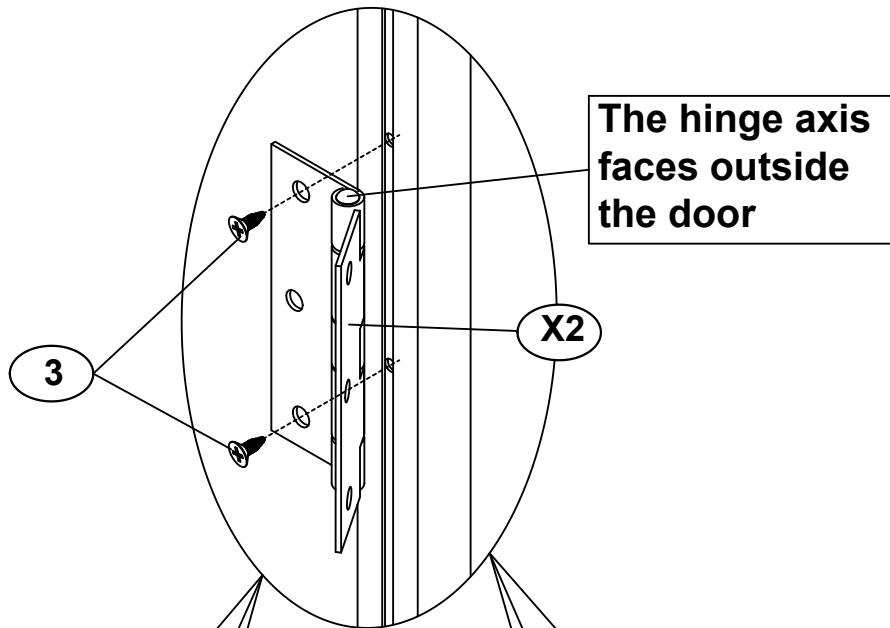
12x



X2

6x

<41>



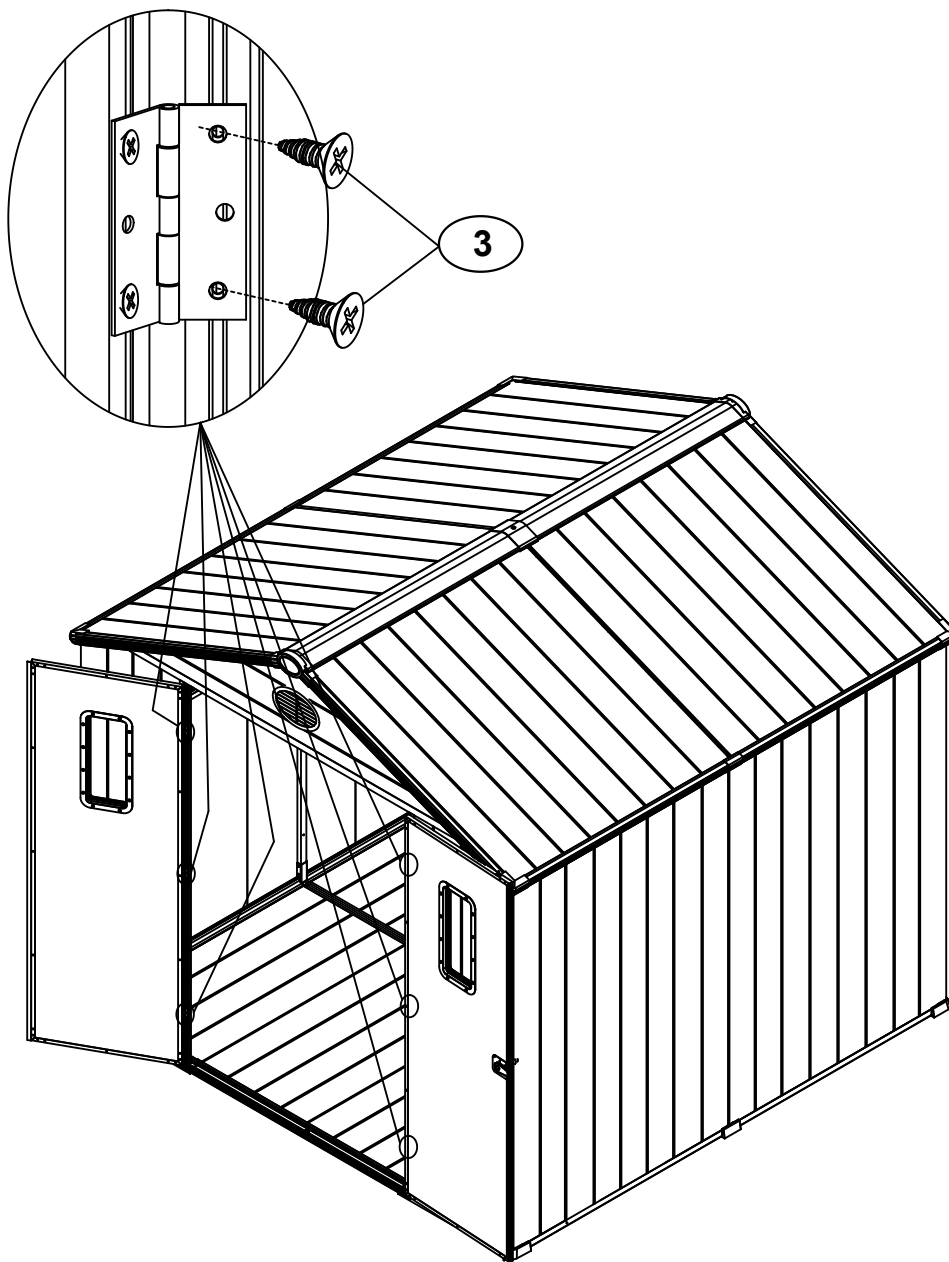


ST3.8x12

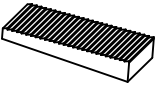
3

12x

<42>

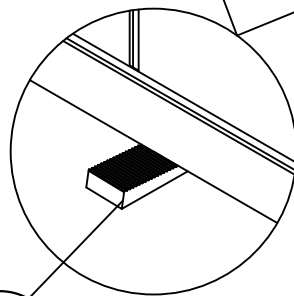
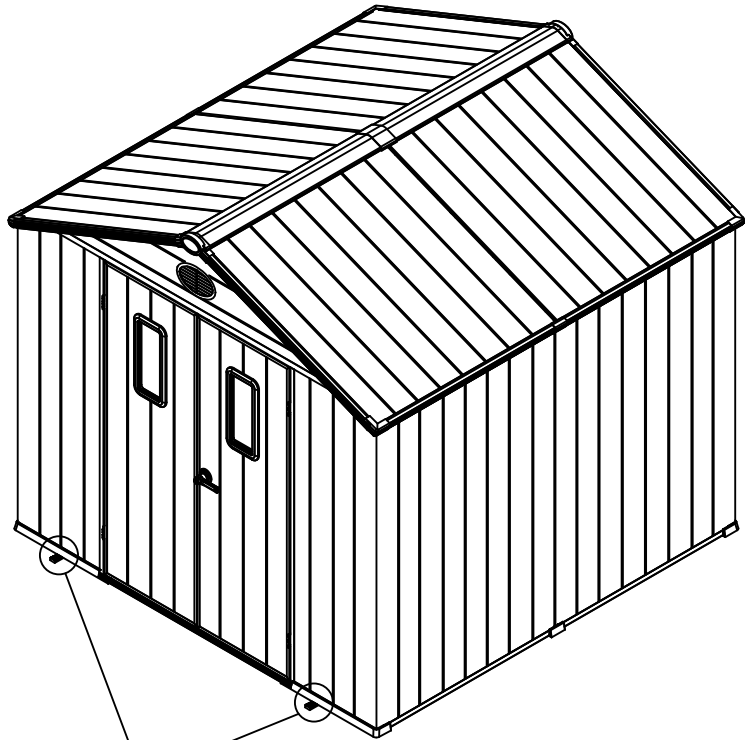


<43>



SP

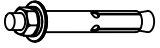
2x



SP

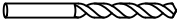
If the assembled rear door frame is tilted, the #SP# part can be placed on the left or right side of the tool house as shown.

<44>



M8x80  
6x

12



Y3

1x

You need to prepare your own electric drill to assist drilling.

