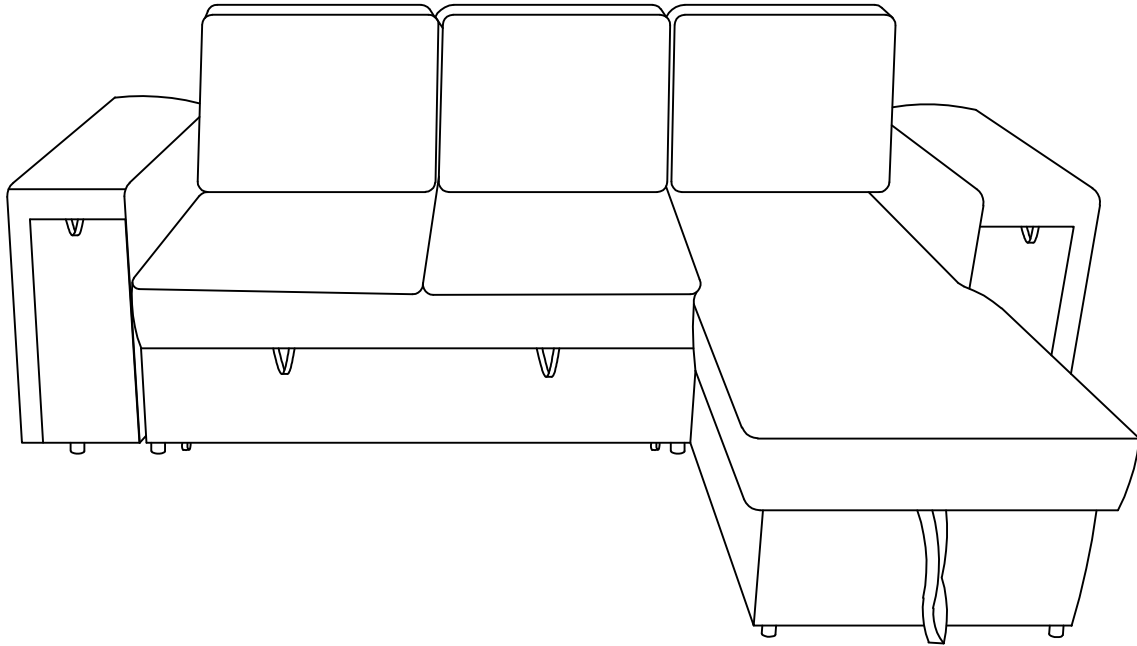
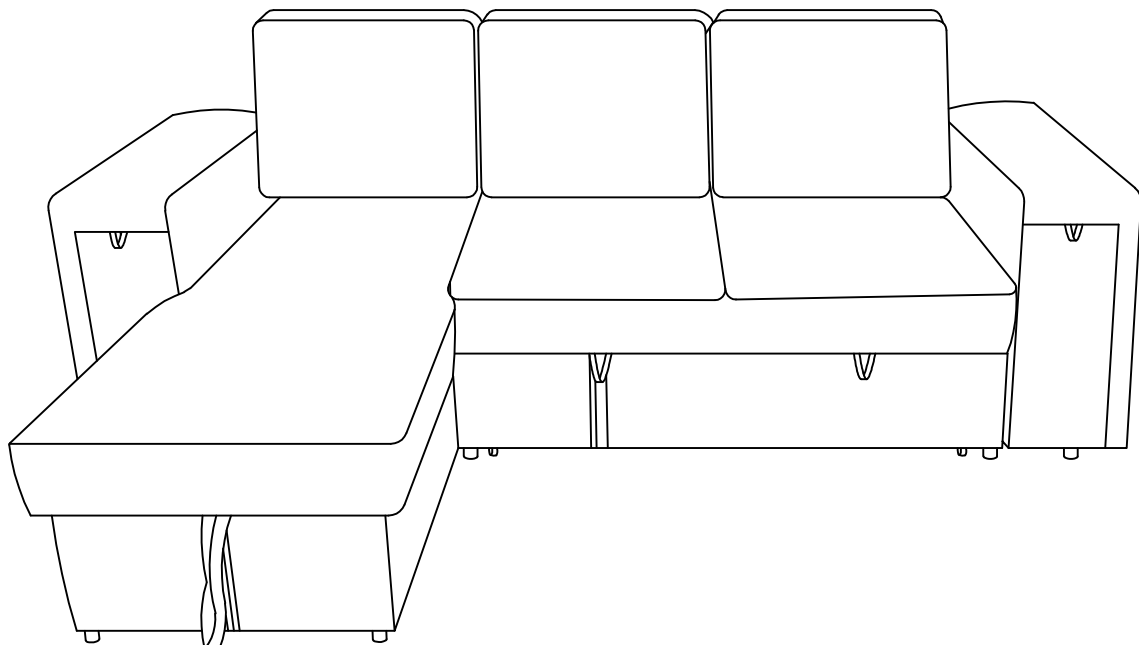


ASSEMBLY INSTRUCTIONS

Right Facing Chaise



Left Facing Chaise



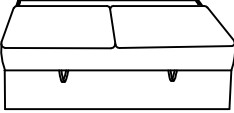


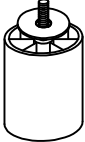

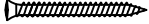
ASSEMBLY INSTRUCTIONS

IMPORTANT NOTE

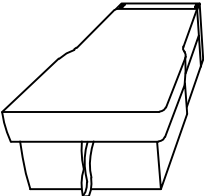

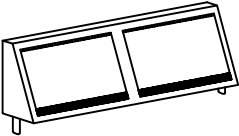

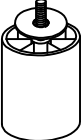
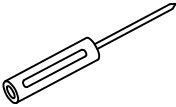
- ** Place all parts on a lean and smooth surface such as a rug or carpet to avoid the parts from being scratched.
- ** Before you begin, please review the assembly instruction step by step.
- ** Return & Warranty policy:
 - We strive to offer the highest quality products. We also provide positive solutions with replacements or refund if needed.
 - If the item is damaged or defective, please take photos to show the problem and email to the seller.
 - Please do not return back the products before contact the seller.

ASSEMBLY INSTRUCTIONS

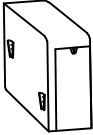
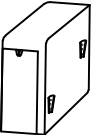
PART LISTS BOX 1

<p>A</p>  <p>LOVESEAT (1 PC)</p>	<p>G</p>  <p>LEFT CUSHION BACK (1PC)</p>	<p>H</p>  <p>RIGHT CUSHION BACK (1PC)</p>
<p>1</p>  <p>Leg (4 PCS)</p>	<p>2</p>  <p>WHEEL (4 PCS)</p>	<p>3</p>  <p>SCREW M4*30 (16PCS)</p>

PART LISTS BOX 2

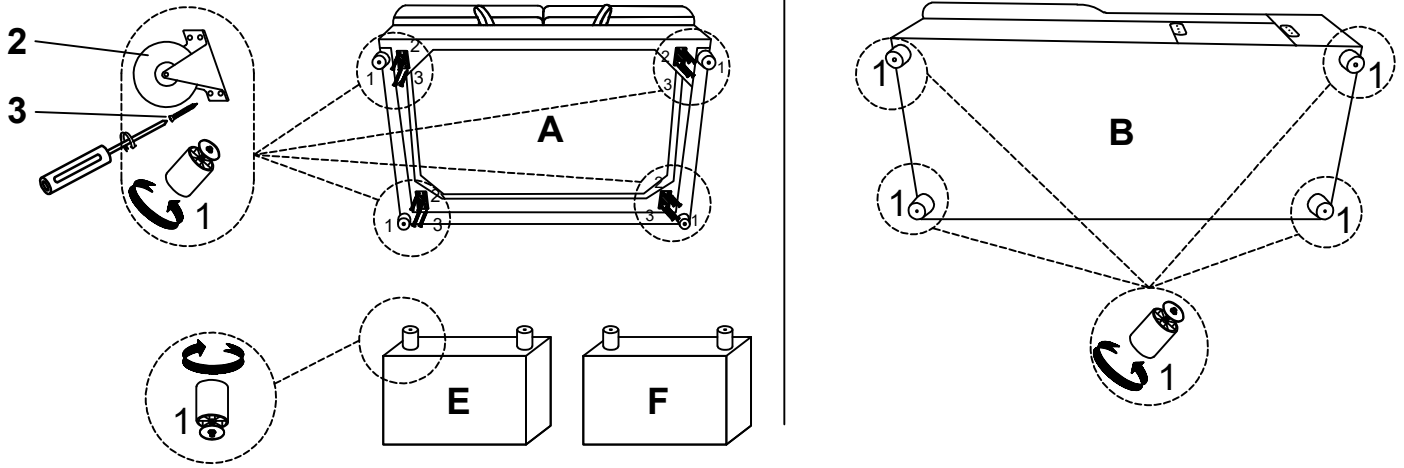
<p>B</p>  <p>CHAISE (1 PC)</p>	<p>D</p>  <p>CHAISE BACKREST (1PC)</p>	<p>C</p>  <p>LOVESEAT BACKREST (1 PC)</p>
<p>I</p>  <p>MID CUSHION BACK (1PC)</p>	<p>1</p>  <p>Leg (8 PCS)</p>	

PART LISTS BOX 3

<p>F</p>  <p>RIGHT ARM (1 PC)</p>	<p>E</p>  <p>LEFT ARM (1PC)</p>
---	---

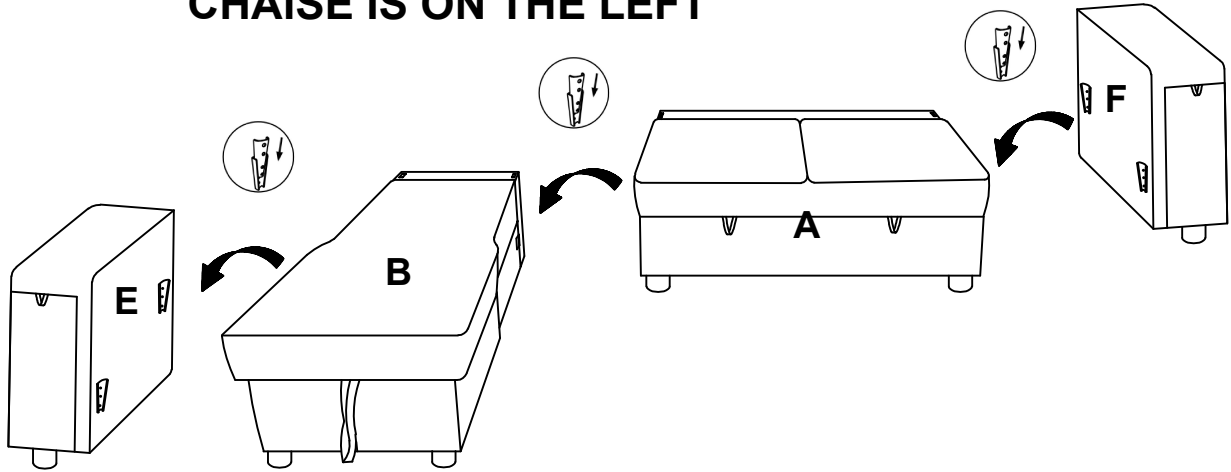
Phillips Screwdriver
(Not included)

Step 1

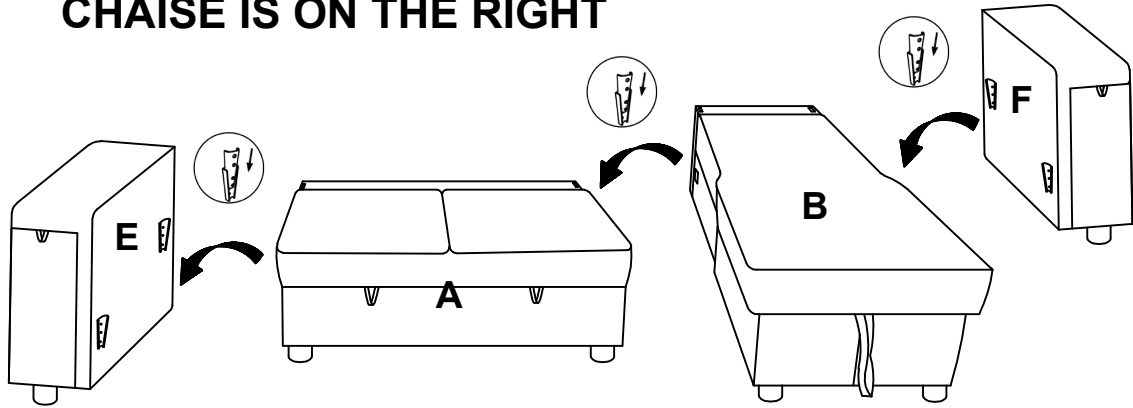


Step 2:

CHAISE IS ON THE LEFT

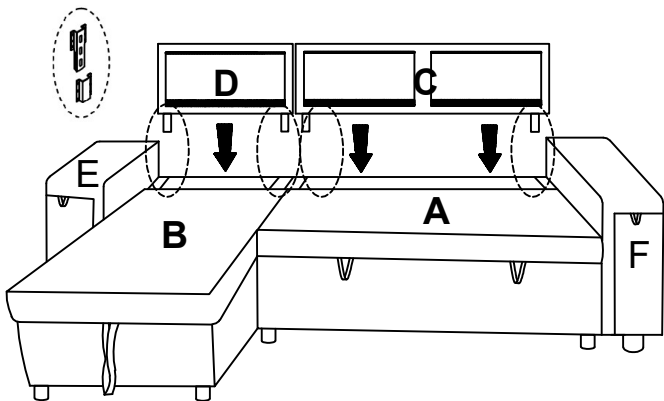


CHAISE IS ON THE RIGHT

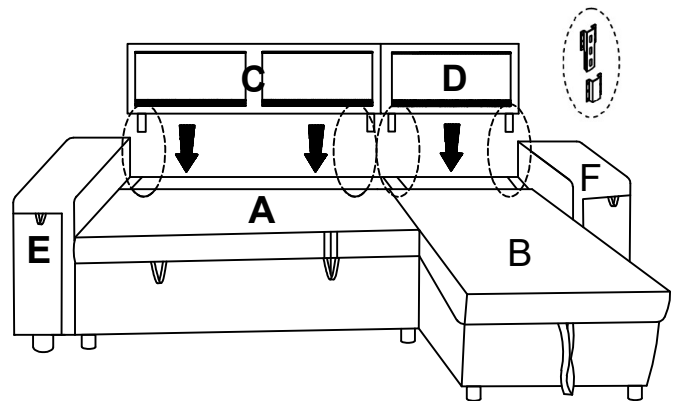


Step 3:

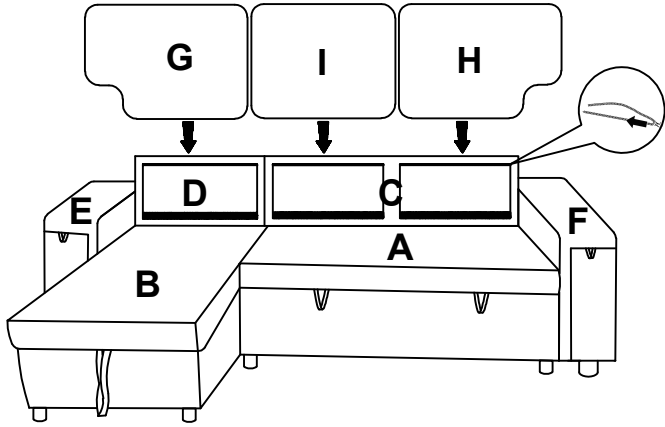
CHAISE IS ON THE LEFT



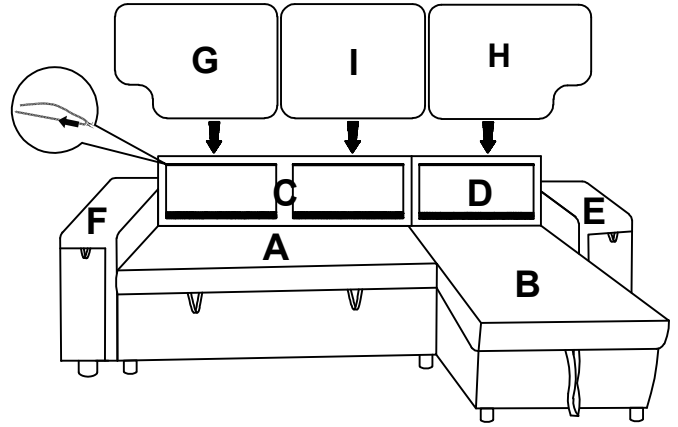
CHAISE IS ON THE RIGHT



Step 4: CHAISE IS ON THE LEFT

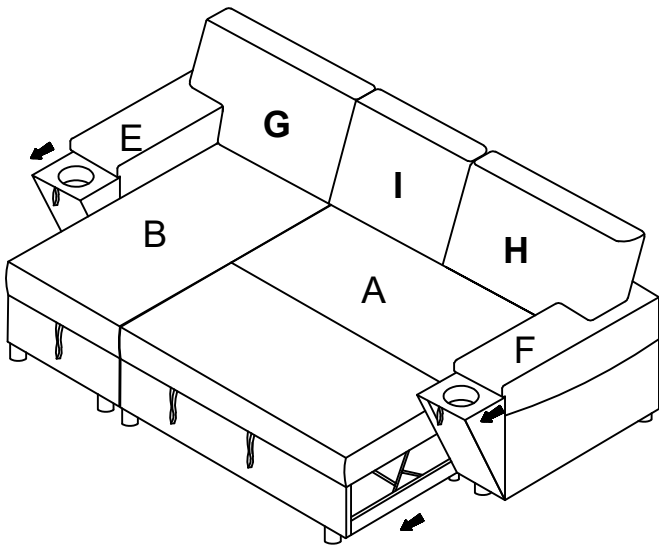


CHAISE IS ON THE RIGHT

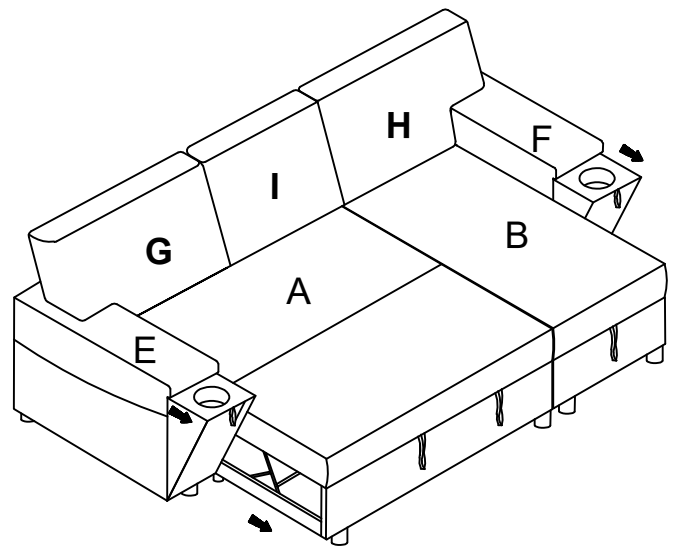


Step 5: Assembly Complete

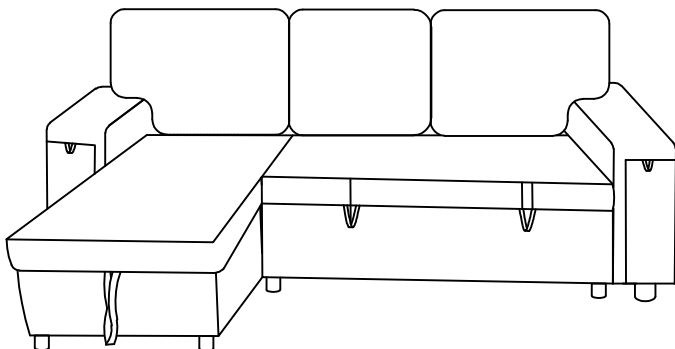
CHAISE IS ON THE LEFT



CHAISE IS ON THE RIGHT

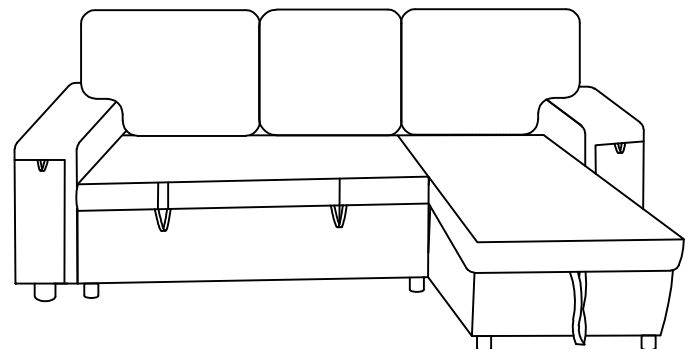


CHAISE IS ON THE LEFT



Assembly Complete

CHAISE IS ON THE RIGHT



Assembly Complete