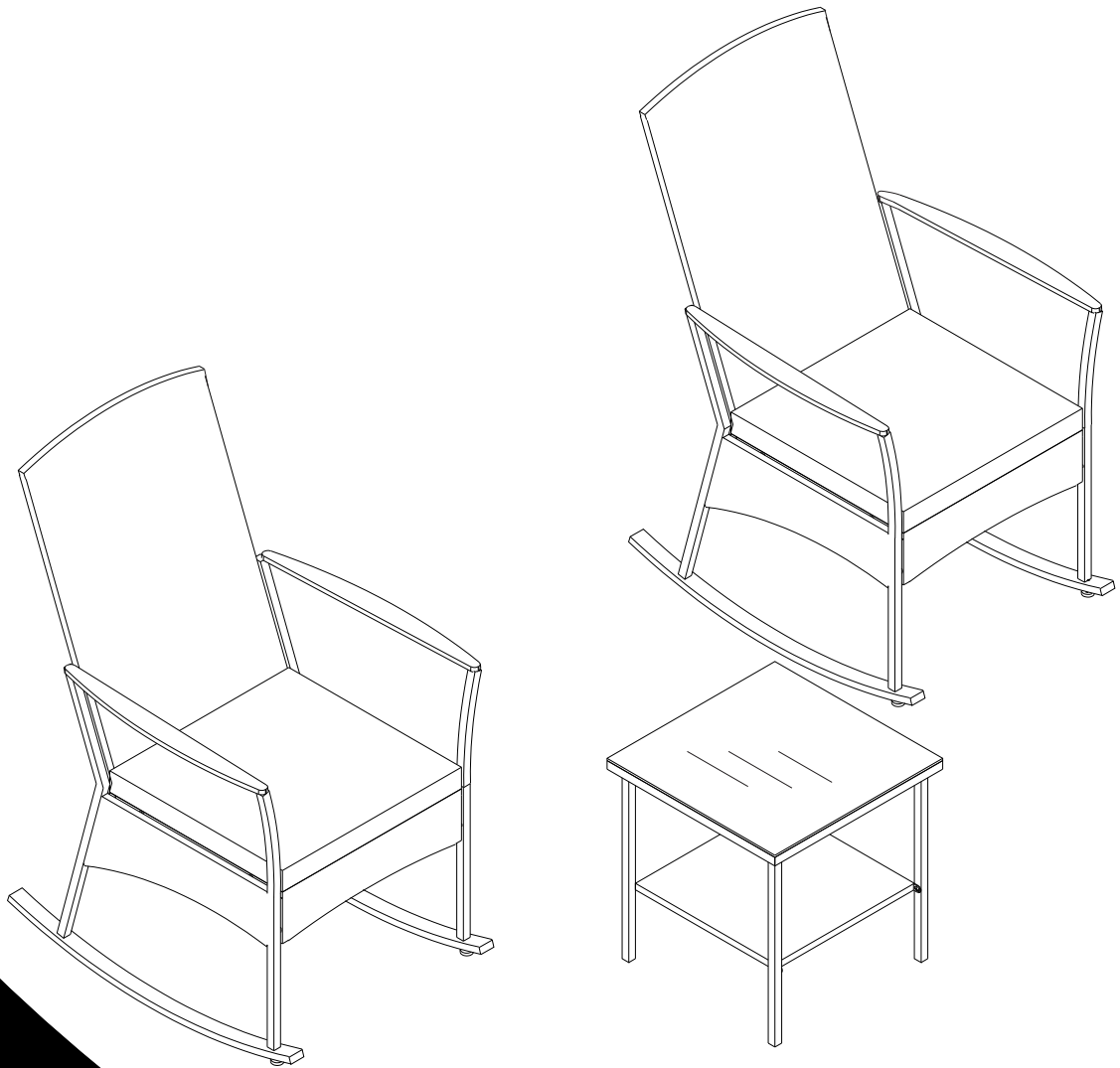


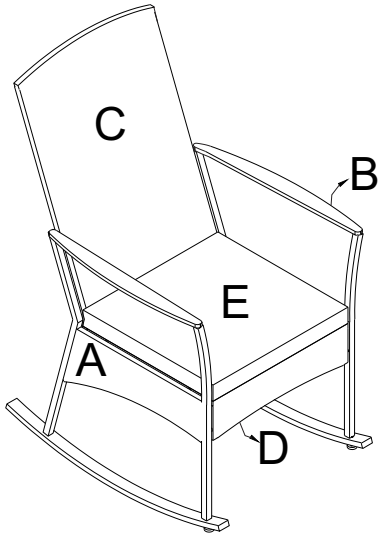
ASSEMBLY INSTRUCTIONS

- 3-Pieces
Rattan Rocking chair



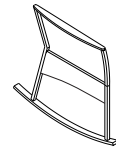
Parts

Check and make sure you get the components on the list, contact us for any missing



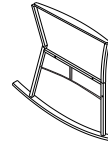
● 2-Single Rattan Chair

A : Right Armrest



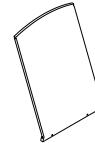
2 Pcs

B : Left Armrest



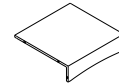
2 Pcs

C : Single Back



2 Pcs

D : Single Seat



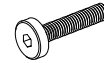
2 Pcs

E : Single Cushion



2 Pcs

1 : Allen Bolt M6 x 35mm



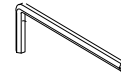
24 Pcs

● 2: Flat Washer



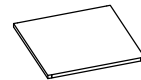
36 Pcs

● 3 : Allen Key



2 Pcs

F : Table Top



1 Pc

G : Table Leg 1



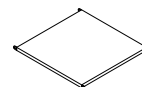
2 Pcs

H : Table Leg 2



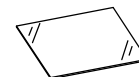
2 Pcs

I : Bottom Frame



1 Pc

J : Glass

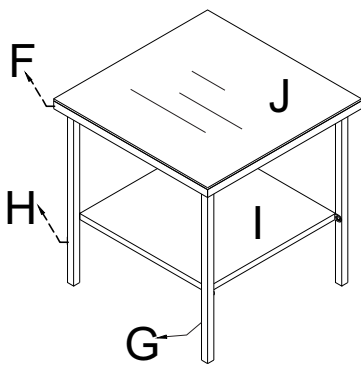


1 Pc

4 : Allen Bolt M6 x 15mm



12 Pcs



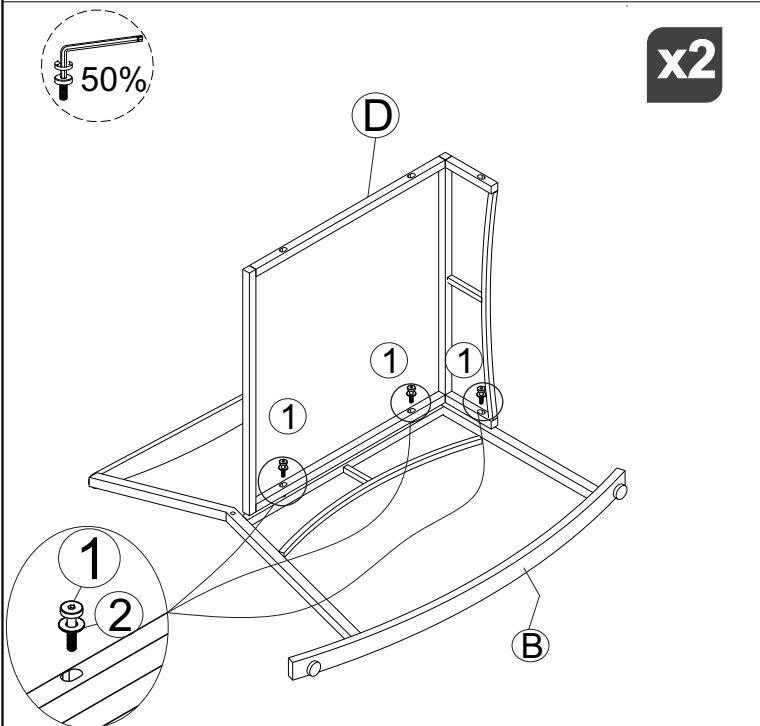
● 1-Rattan Coffee Table



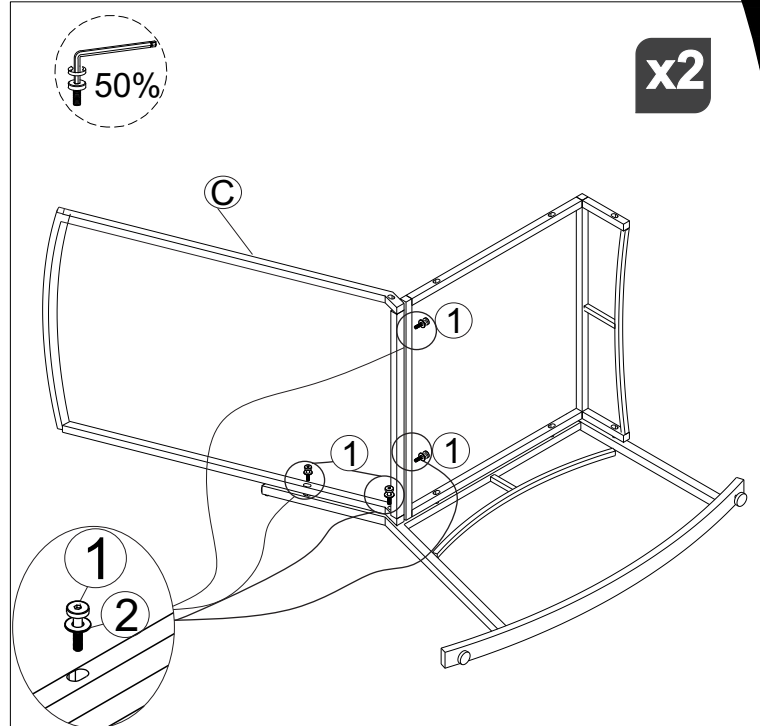
For successful installation, When installing, please do not tighten the screws once, when the screws are all installed, a unified tightten all the screws

Assembly steps

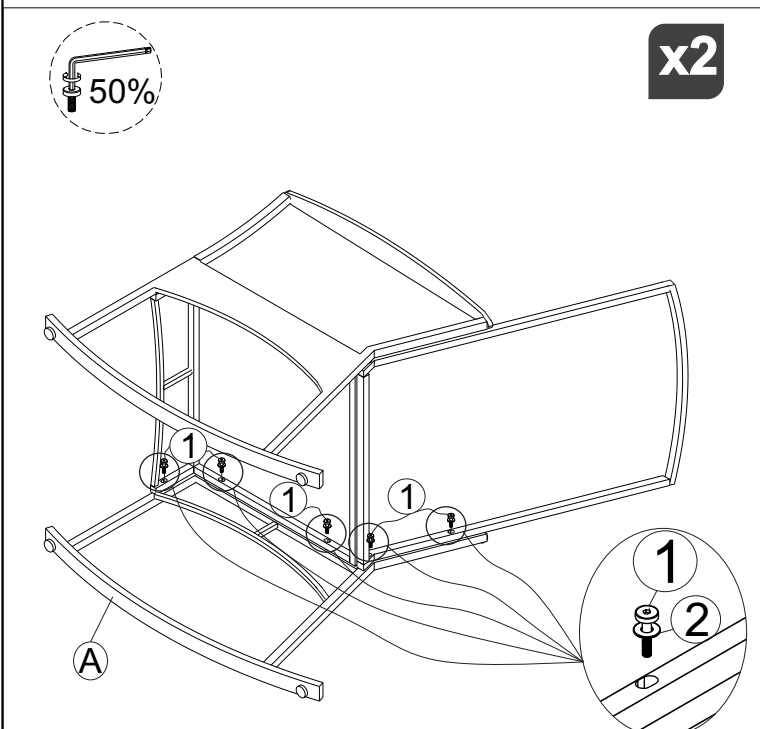
For successful installation, When installing, please do not tighten the screws once, when the screws are all installed, a unified tightten all the screws



Step 1: Connect Left Armrest (B) & Single Seat(D), tighten Bolt (1) Flat Washer (2) with Allen Key (3).



Step 2: Connect The Part from Step 1 & Single Back (C), tighten Bolt (1), Flat Washer (2) with Allen Key (3).



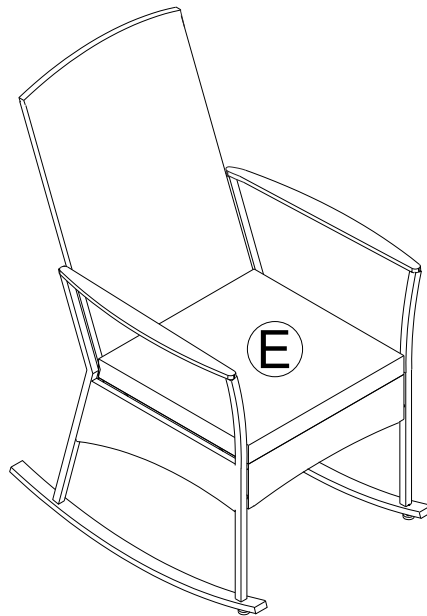
Step 3: Connect The Part from Step 2 & Right Armrest (A), tighten Bolt (1), Flat Washer (2) with Allen Key (3).



Step 4: Put the Chair upright and make sure all legs are level, then firmly tighten Bolts with Allen Key (3)

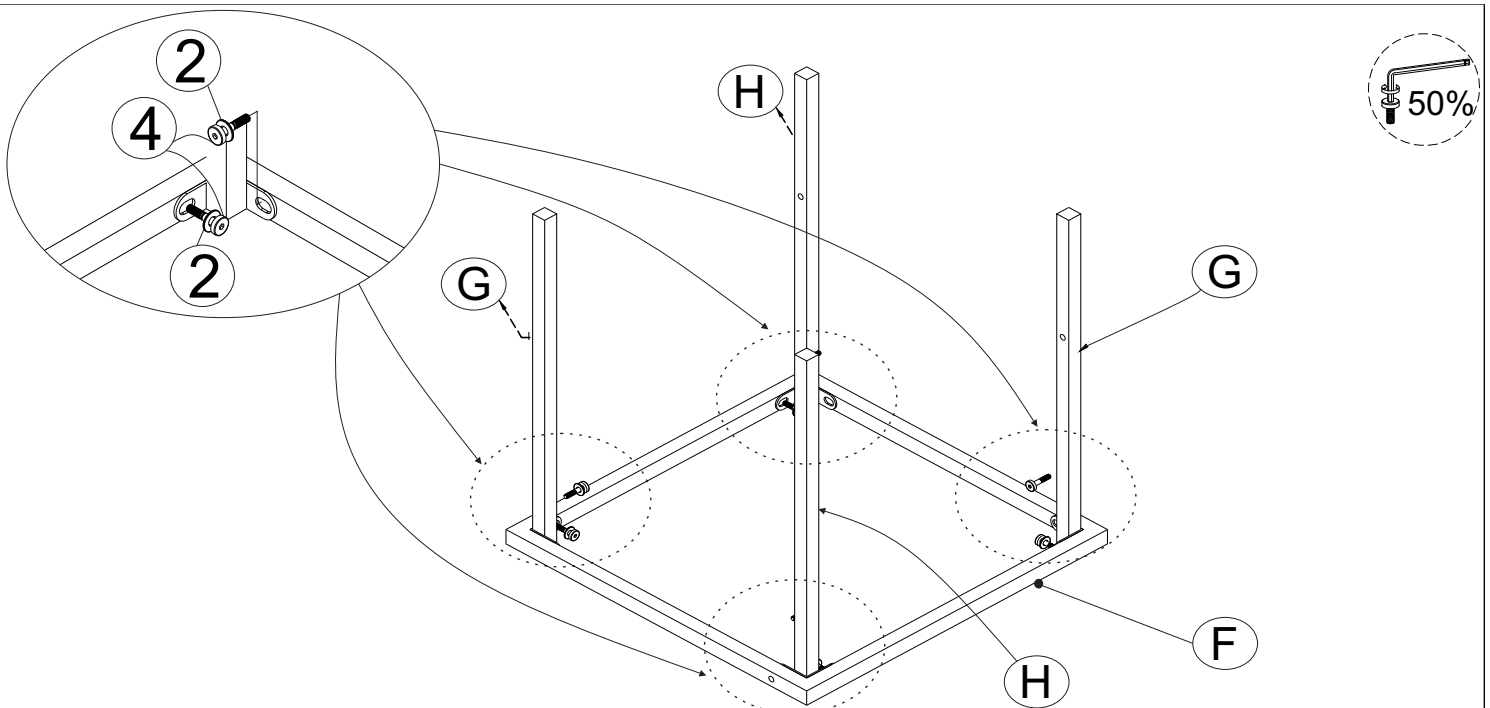
Assembly steps

Tips : DO NOT tighten any screws until all the parts are put together.



x2

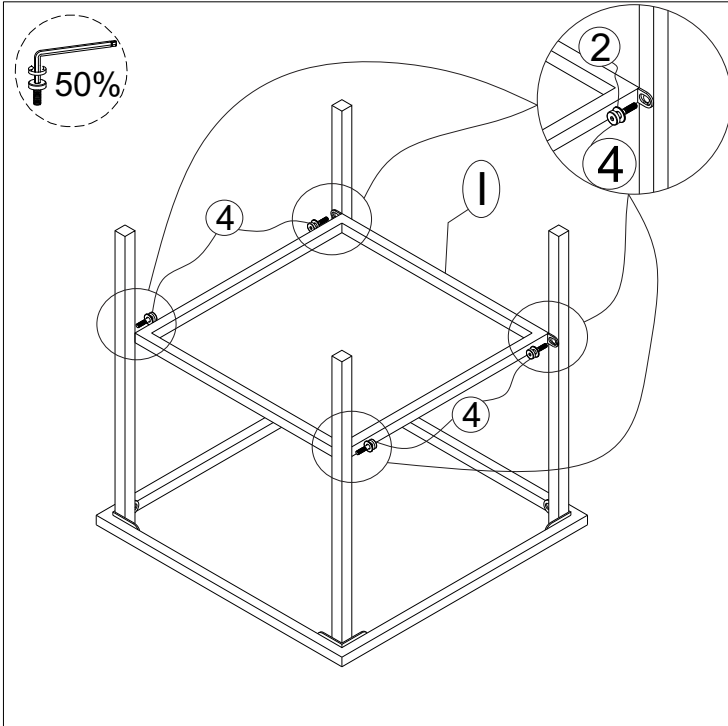
Step 5: Put on Single Cushion (E) to finish Chair.



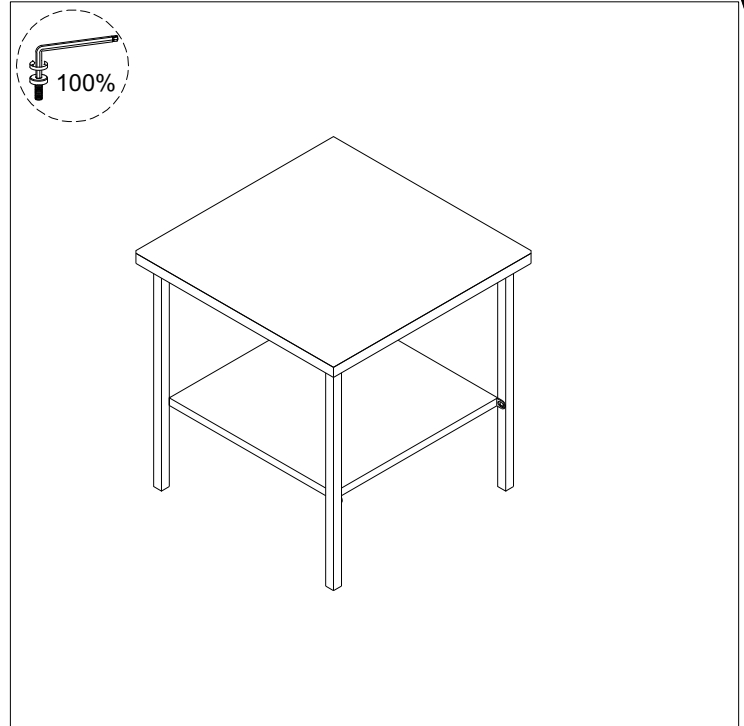
Step 6: Connect Table top (F) & Table Leg 1 (G), Table Leg 2 (H), Tighten Bolt (4), Flat Washer (2), With Allen Key (3)

Assembly steps

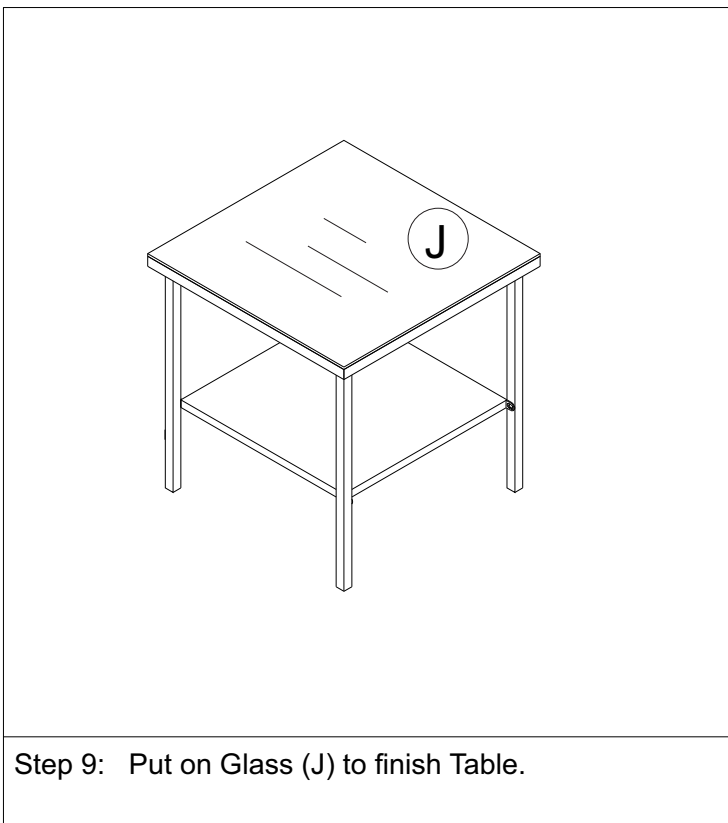
Tips : DO NOT tighten any screws until all the parts are put together.



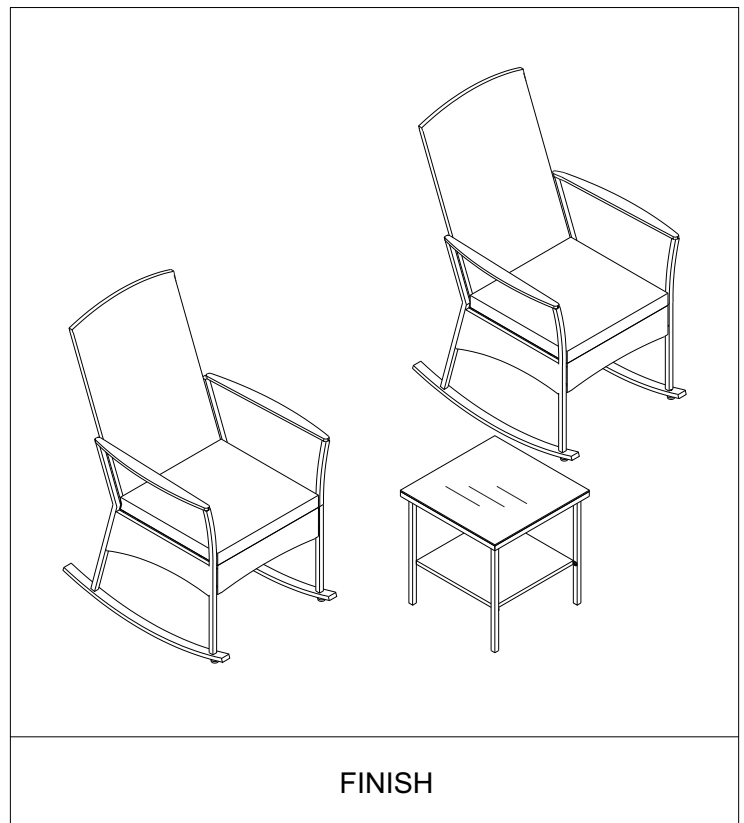
Step 7: Connect The Part from Step 6 & Bottom Frame (I) tighten Bolt (4), Flat Washer (2) with Allen Key (3).



Step 8: Put the Table upright and make sure all legs are level, then firmly tighten Bolts with Allen Key (3)



Step 9: Put on Glass (J) to finish Table.



FINISH