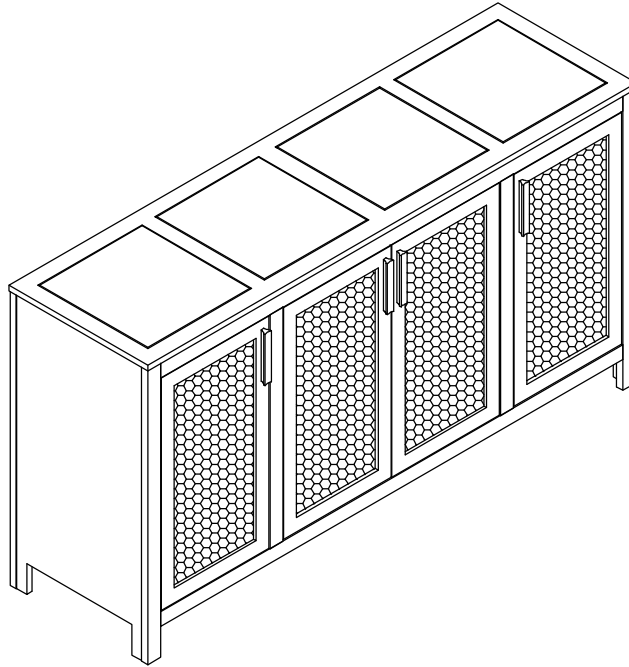


Assembly Instructions

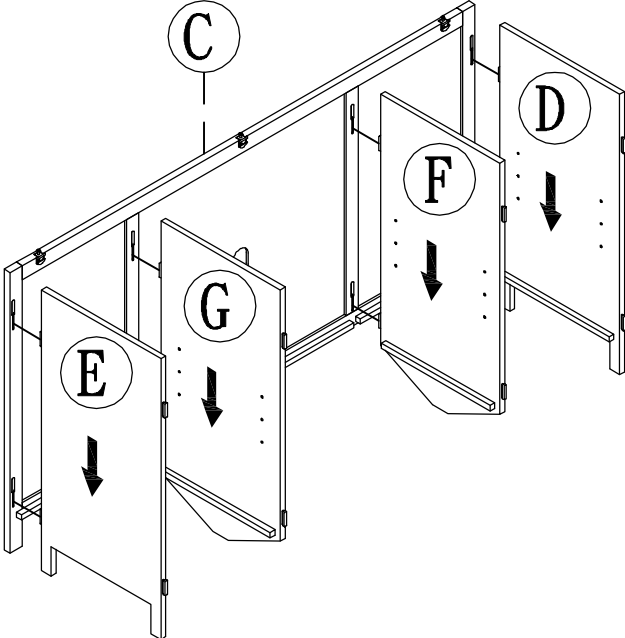


PART#	DESCRIPTION		QTY
1	Handle		4pcs
2	Ø5/32*22mm Handle screw		8pcs
3	Support shelf		12pcs
4	Tipping restraint hardware kit		1set

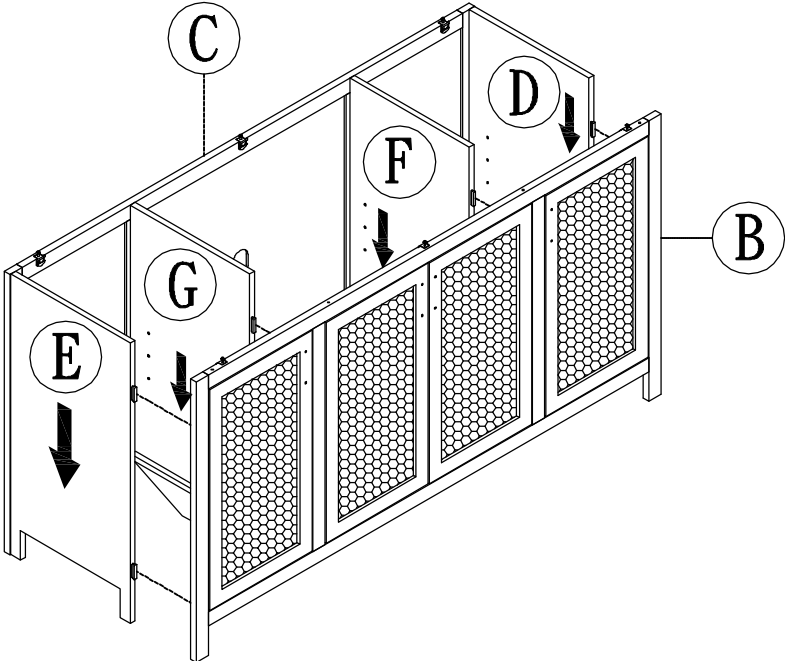
NO.	PARTS LIST		QTY
I	Side shelf		2pcs
J	Middle bottom panel		1pc
K	Side bottom panel		2pcs

NO.	PARTS LIST		QTY
A	Top panel		1pc
B	Front Face Frame		1pc
C	Back Frame		1pc
D	Right Side panel		1pc
E	Left Side panel		1pc
F	Right Division panel		1pc
G	Left Division panel		1pc
H	Mid shelf		1pc

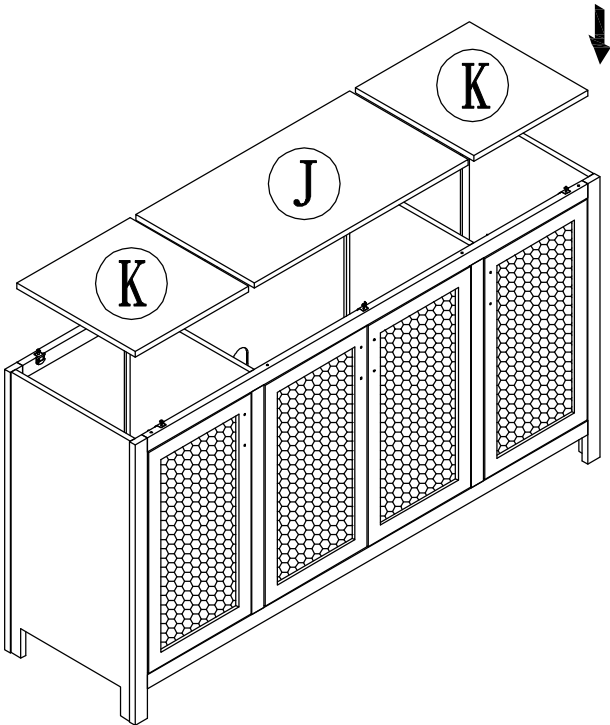
Step 1.



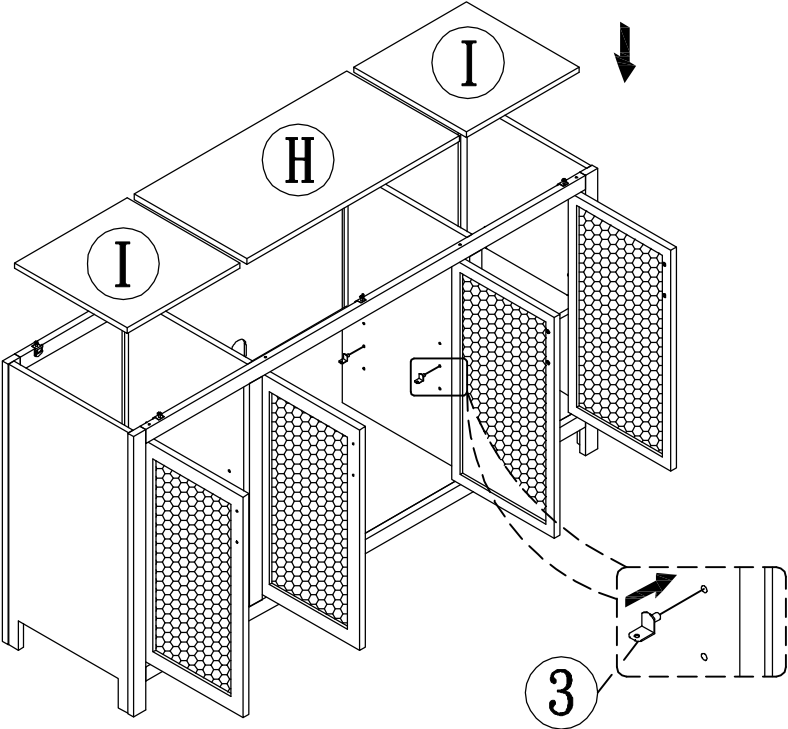
Step 2.



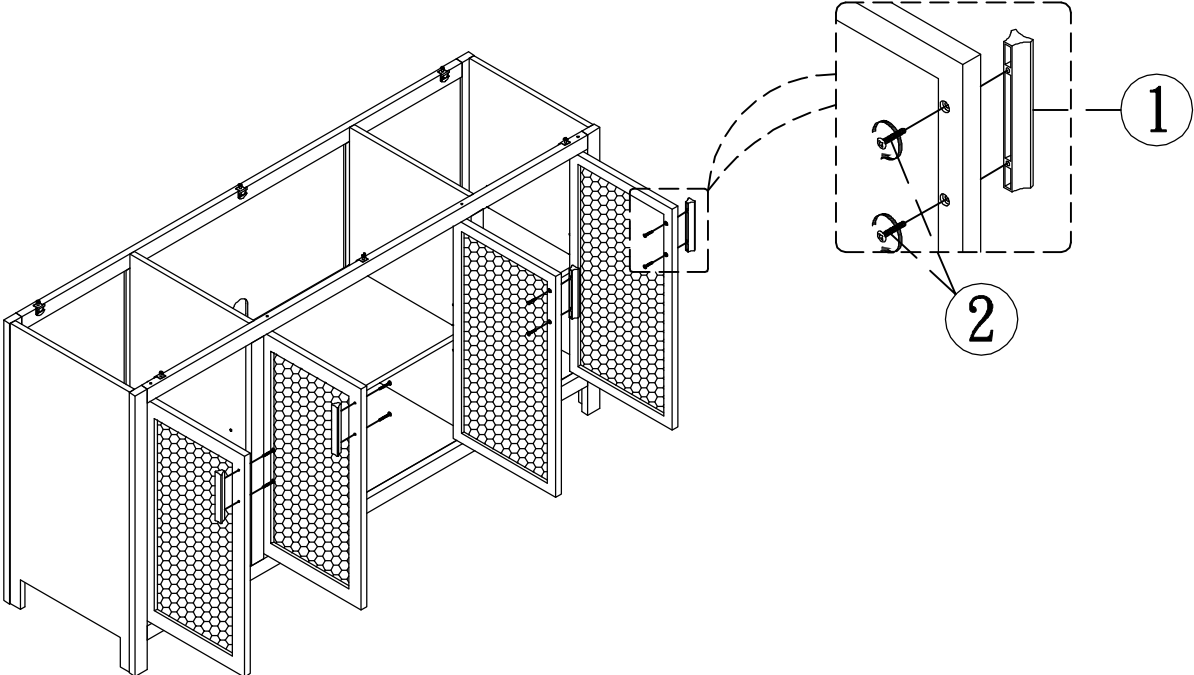
Step 3.



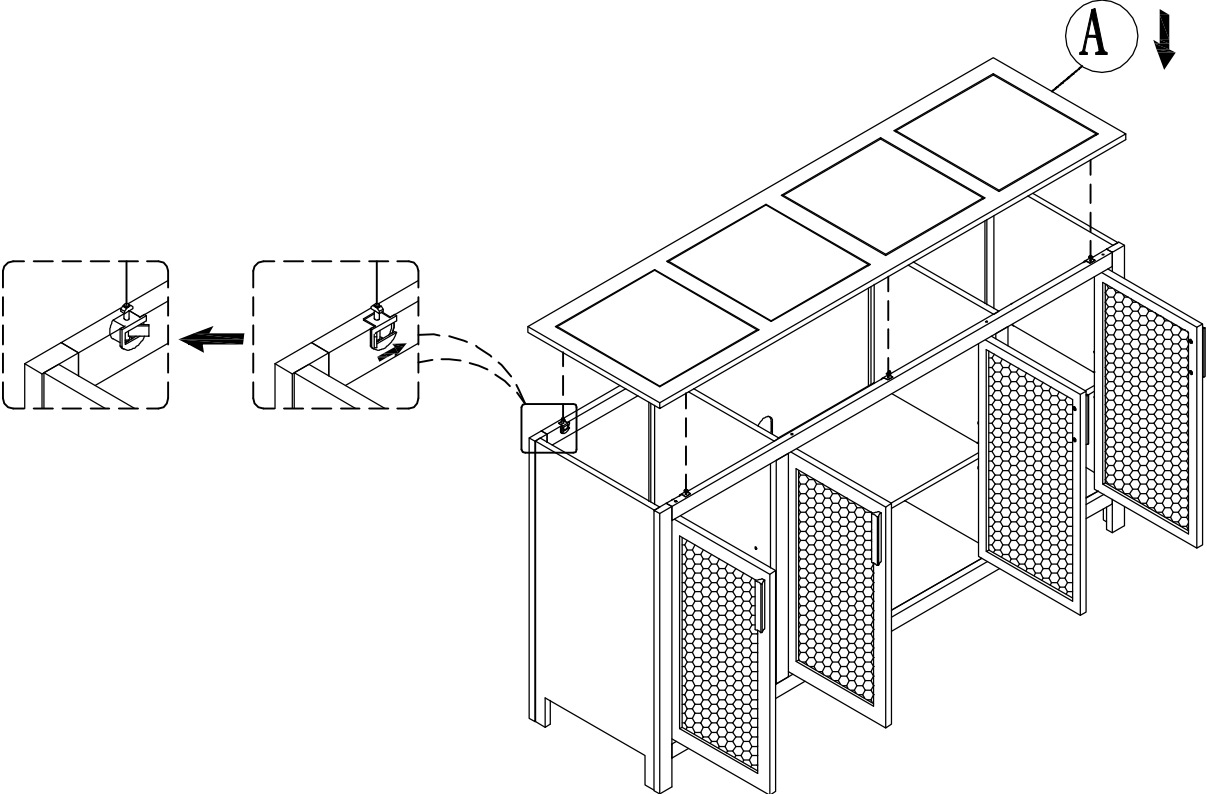
Step 4.



Step 5.



Step 6.



Step 7.

