

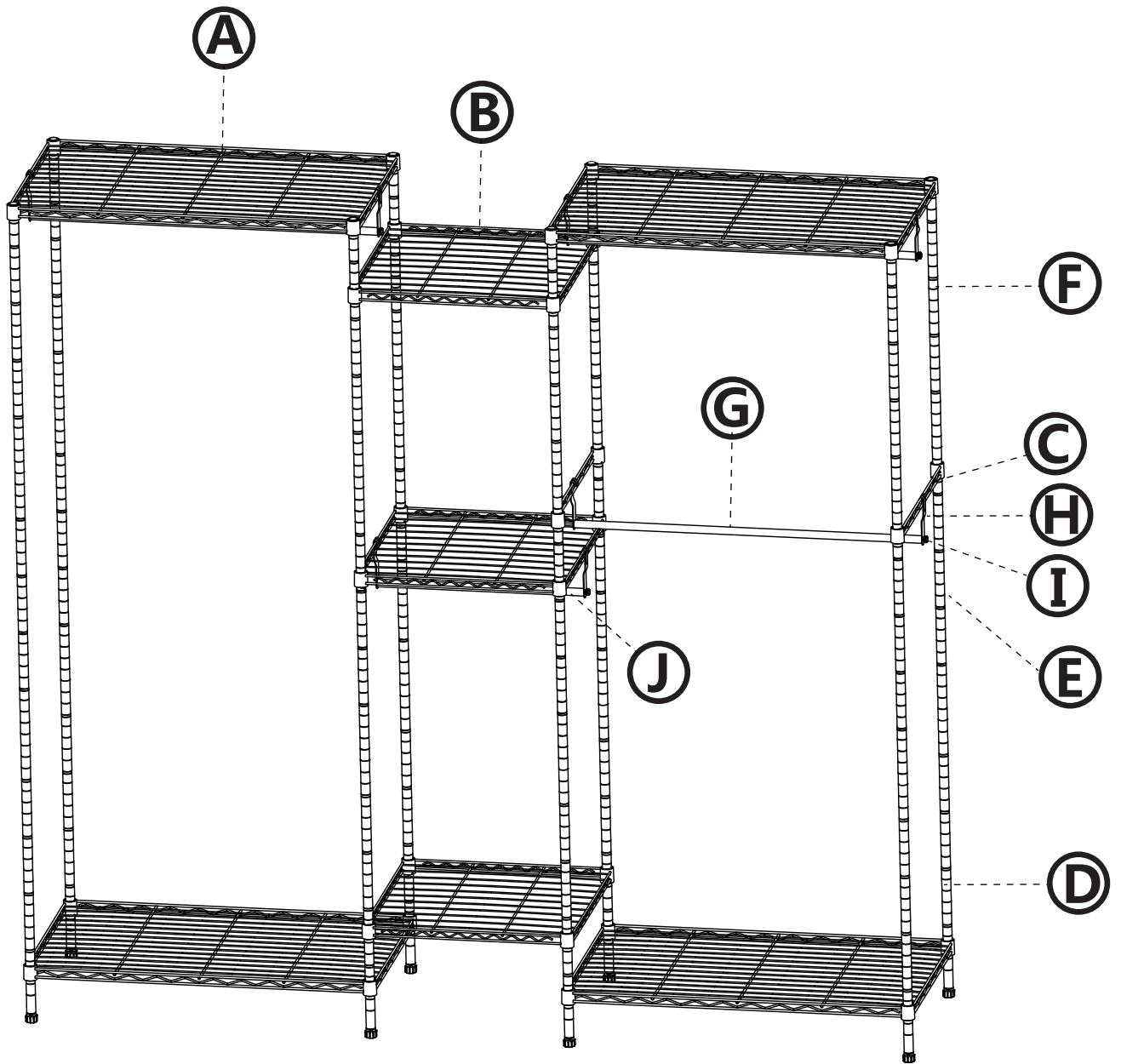
**Note:**  
to better meet your needs, this garment rack can be arranged in the two types above at your disposal.

## **USER MANUAL**

---

### **Garment Rack**

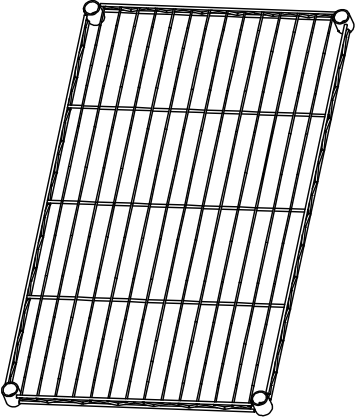
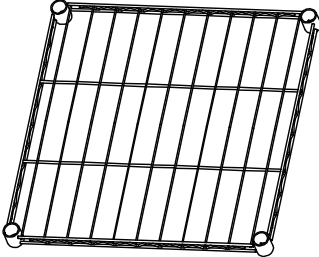
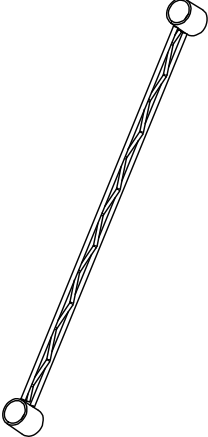
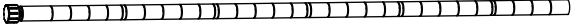

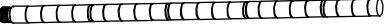
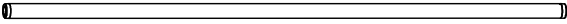

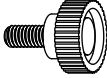
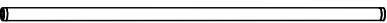

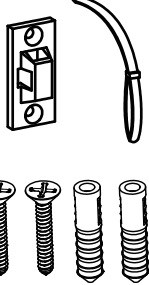
**Attention:** This instruction contains important safety information, please carefully read it and keep it for future reference.



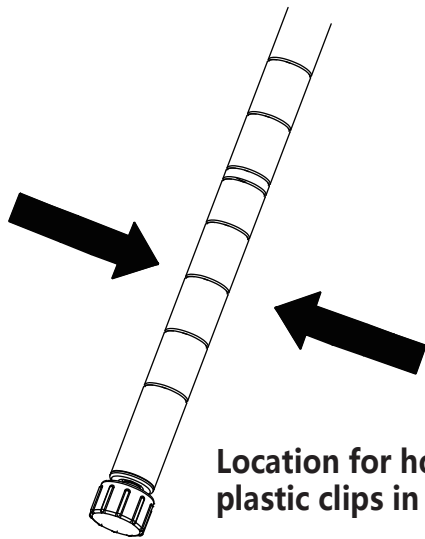
## Attention:

- Prior to assembly, spread out all parts to check if any part is missing.
- For the sake of safety, be sure to anchor the assembled garment rack to the wall with anti-tip devices included in the package.
- It is recommended that this garment rack be assembled by two people.

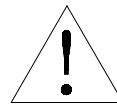
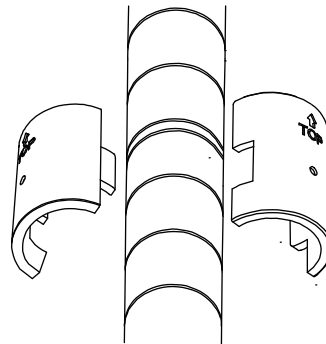
# Parts List

<p>Ⓐx4pcs</p>  <p>Large Shelf</p>	<p>Ⓑx3pcs</p>  <p>Small Shelf</p>	<p>Ⓒx2pcs</p>  <p>Support Rail</p>	
<p>Ⓓx8pcs</p>  <p>Lower pole</p>		<p>Ⓔx8pcs</p>  <p>Middle Pole</p>	
<p>Ⓕx8pcs</p>  <p>Upper Pole</p>	<p>Ⓖx3pcs</p>  <p>Long Clothes Hanger Rod</p>	<p>Ⓕx8pcs</p>  <p>Hook Bracket</p>	
<p>Ⓖx8pcs</p>  <p>Screw</p>	<p>Ⓖx1pc</p>  <p>Short Clothes Hanger Rod</p>	<p>Ⓖx64pcs+2 (2pcs are for spare use)</p>  <p>Plastic Clip</p>	<p>Ⓖx2SETS</p>  <p>Anti-Tip Device</p>

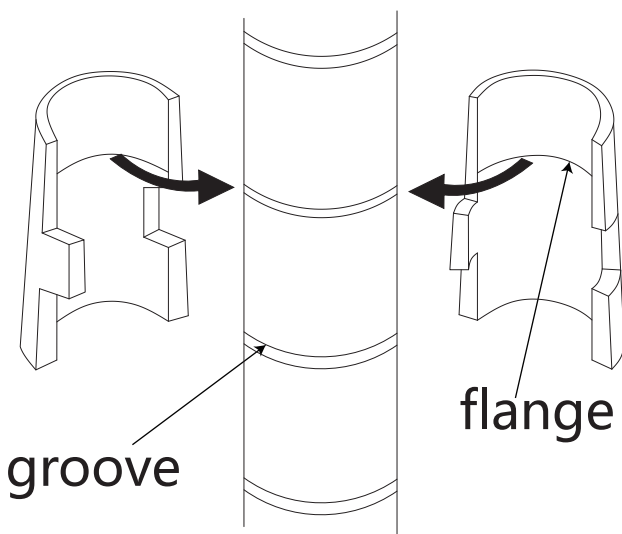
# Important :



Location for holding the plastic clips in place

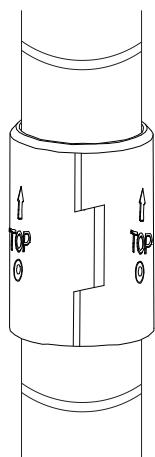
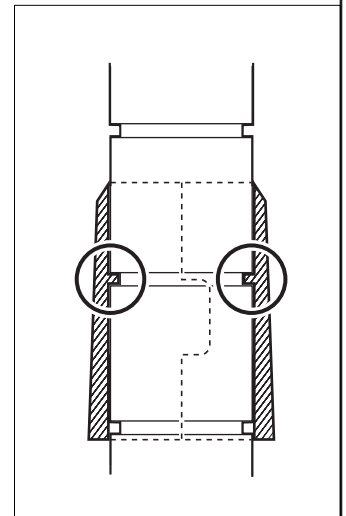


Plastic Clips' arrow shall be pointed up.

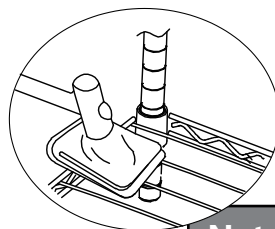


groove

flange



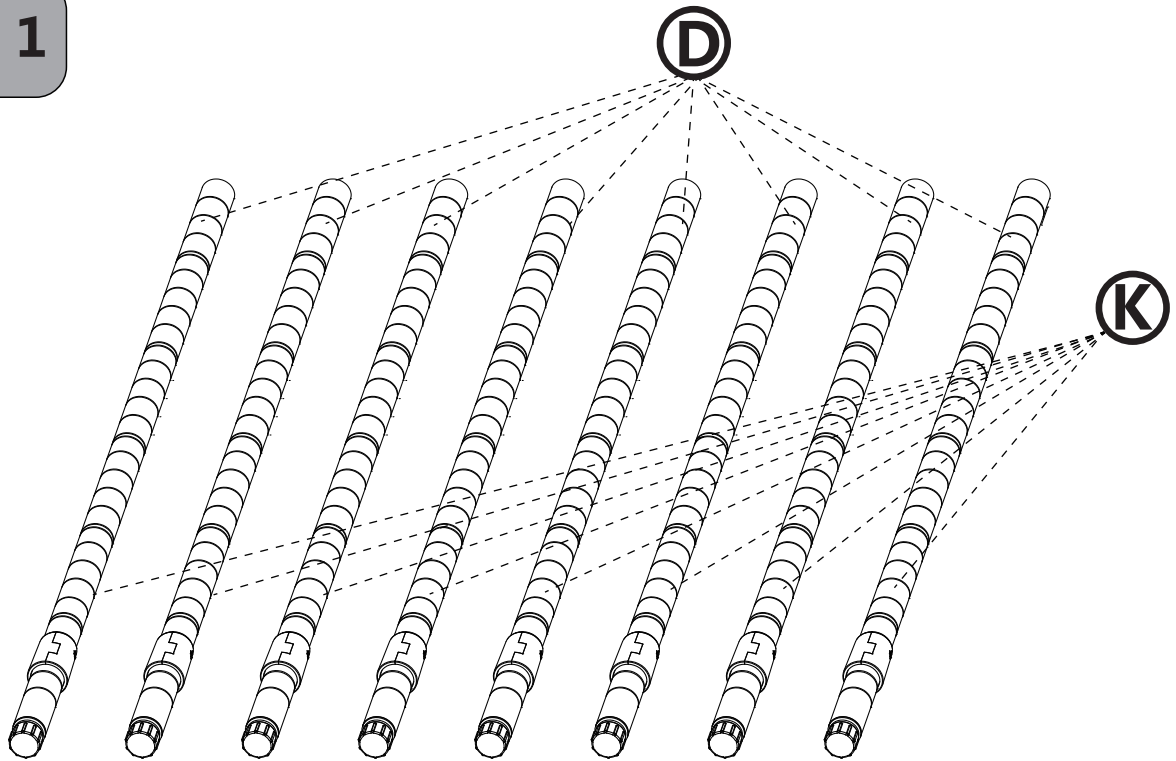
Note there are multiple gaps between two plastic clips assembled onto the poles as shown in the drawing; this is a structural design rather than a quality issue, which aims to bind the shelves firmly onto the poles.



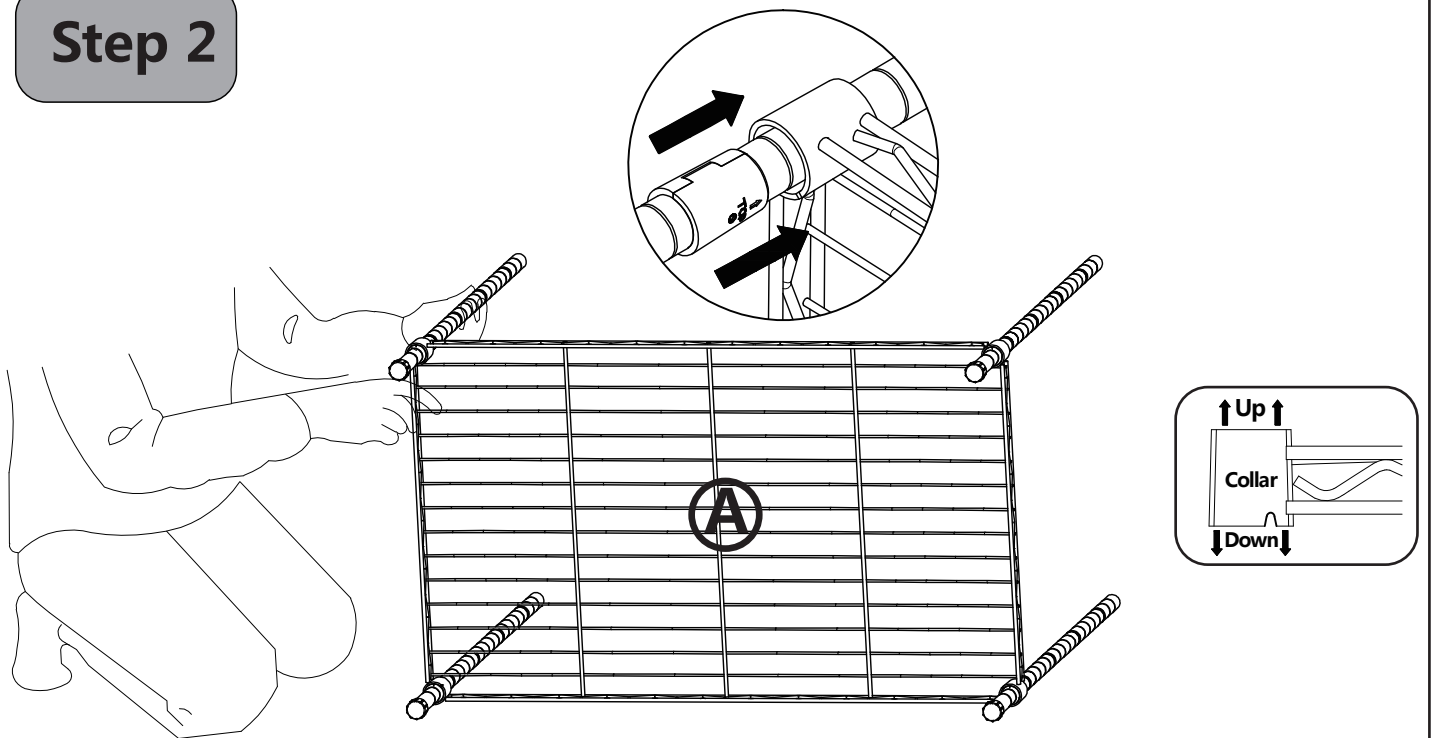
Note: It is kindly advised to hit the edges of the shelf with a rubber mallet to make it firmly fastened to the plastic clips; the rubber mallet is not included in the package, you may buy one from a local store.

# Assembly Steps

## Step 1

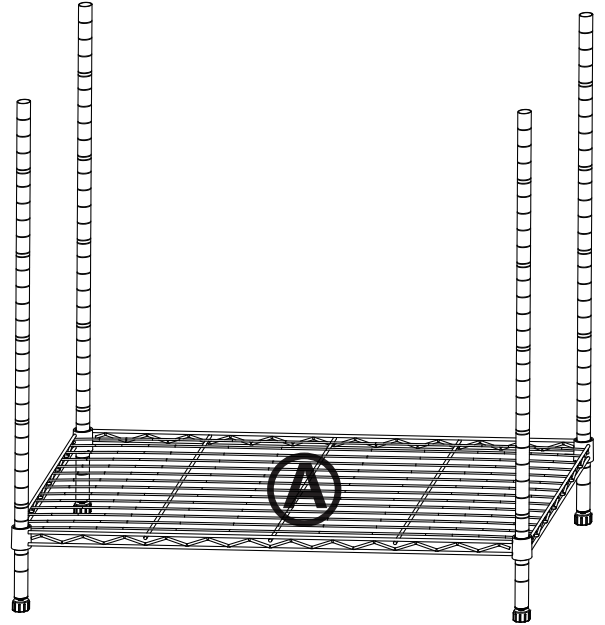
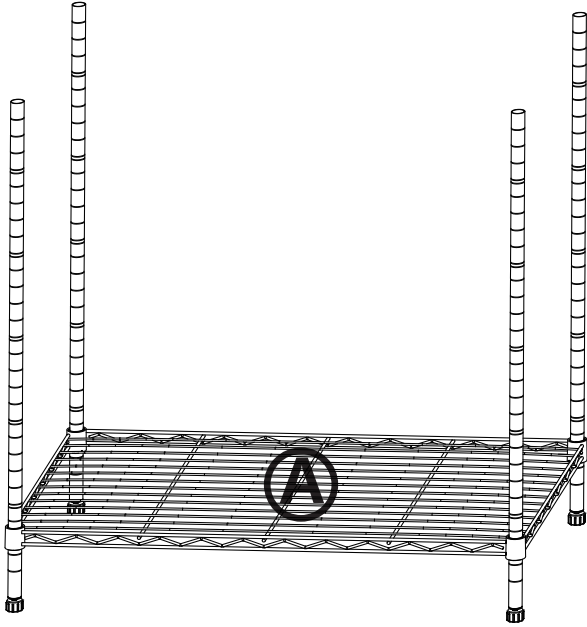


## Step 2



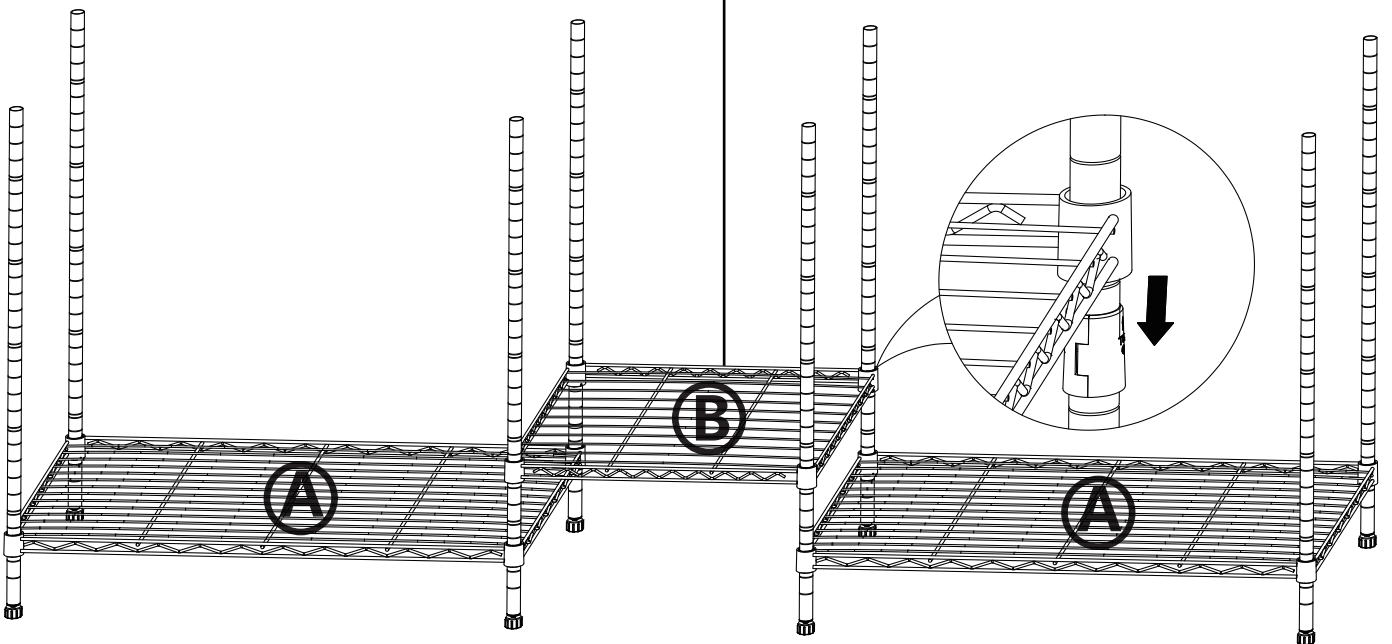
# Assembly Steps

## Step 3



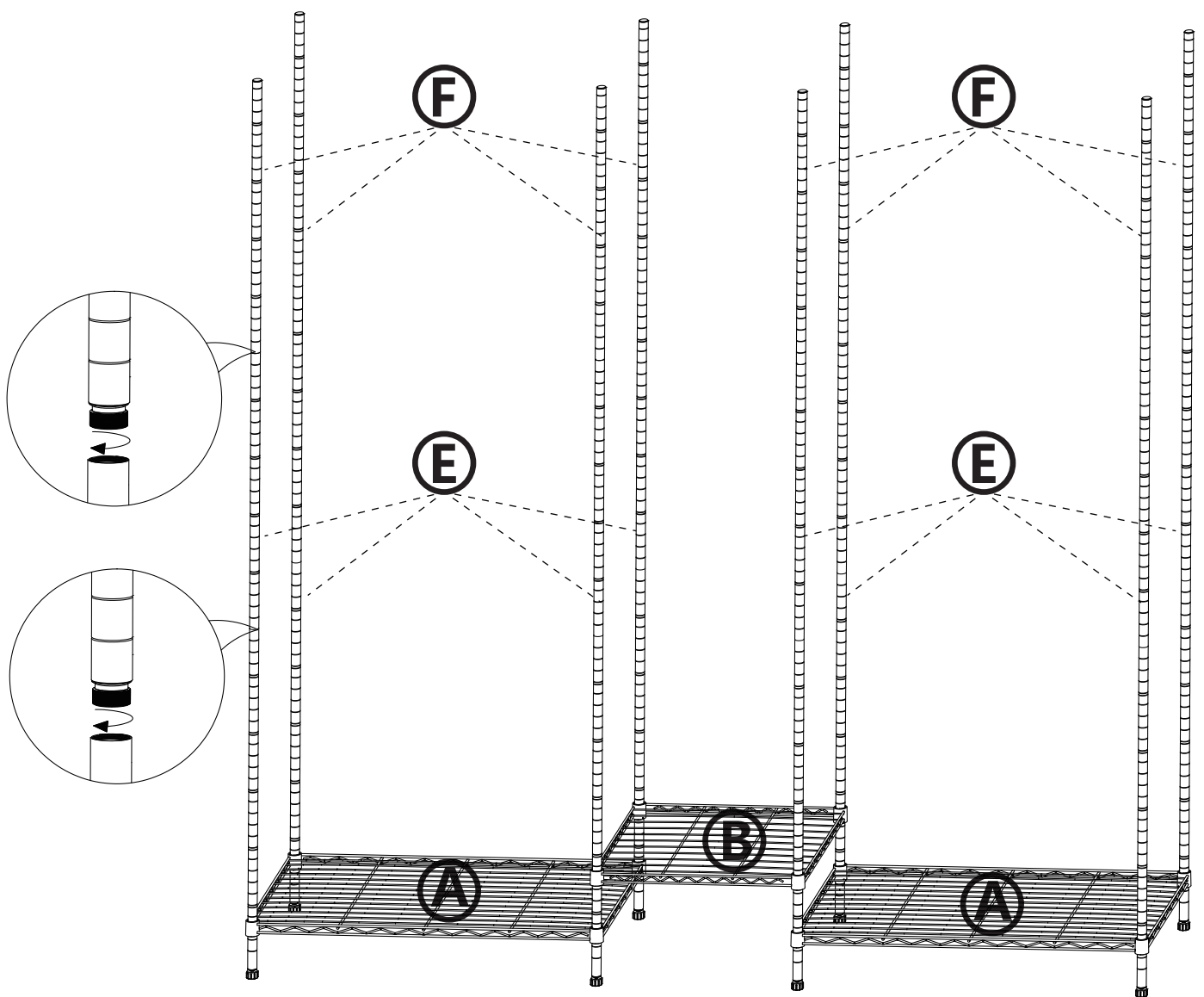
## Step 4

When assembling a shelf, please ensure it is parallel to the floor and slide it down slowly until all the four sleeves fit snugly onto the plastic clips.



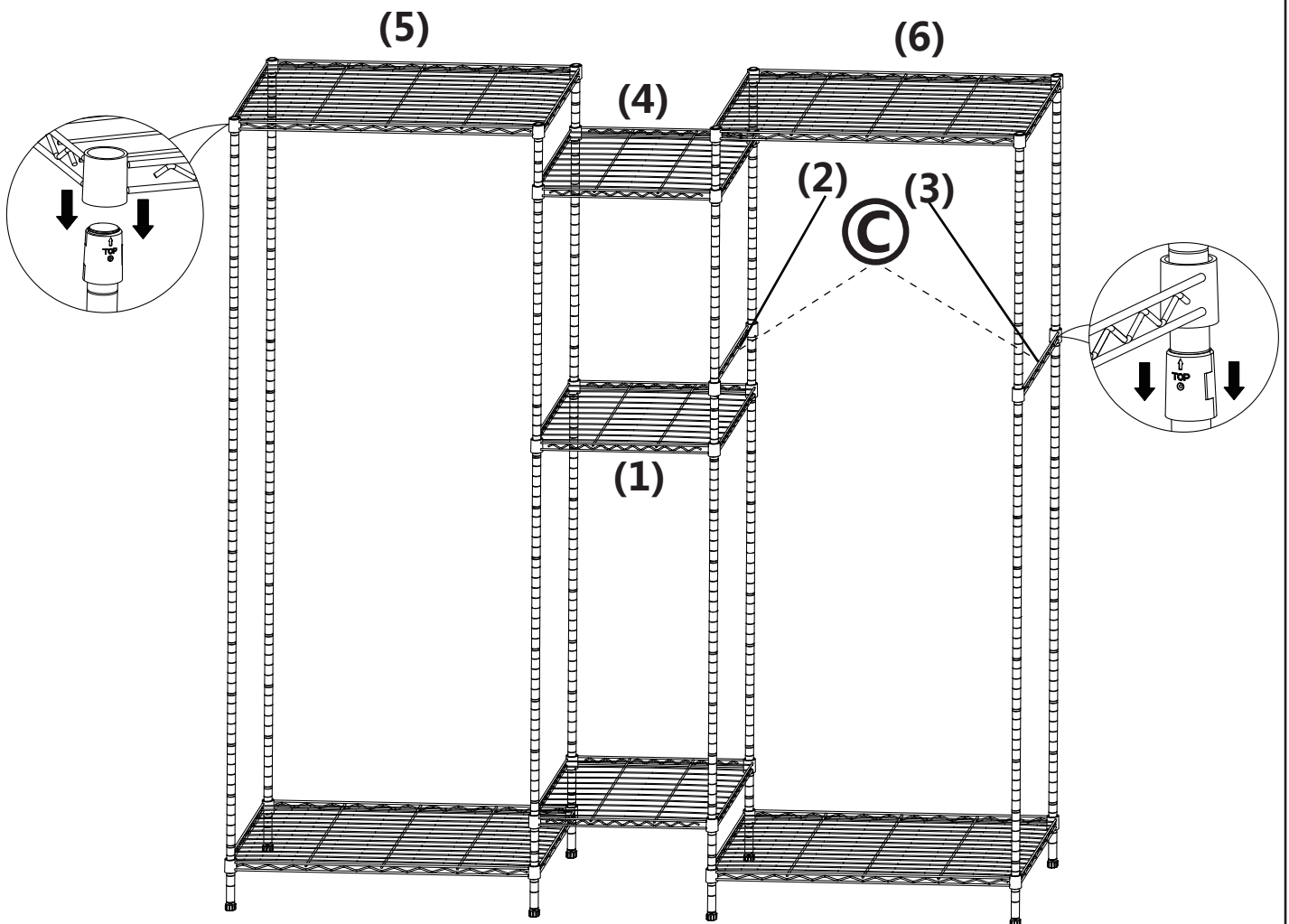
# Assembly Steps

## Step 5



# Assembly Steps

## Step 6

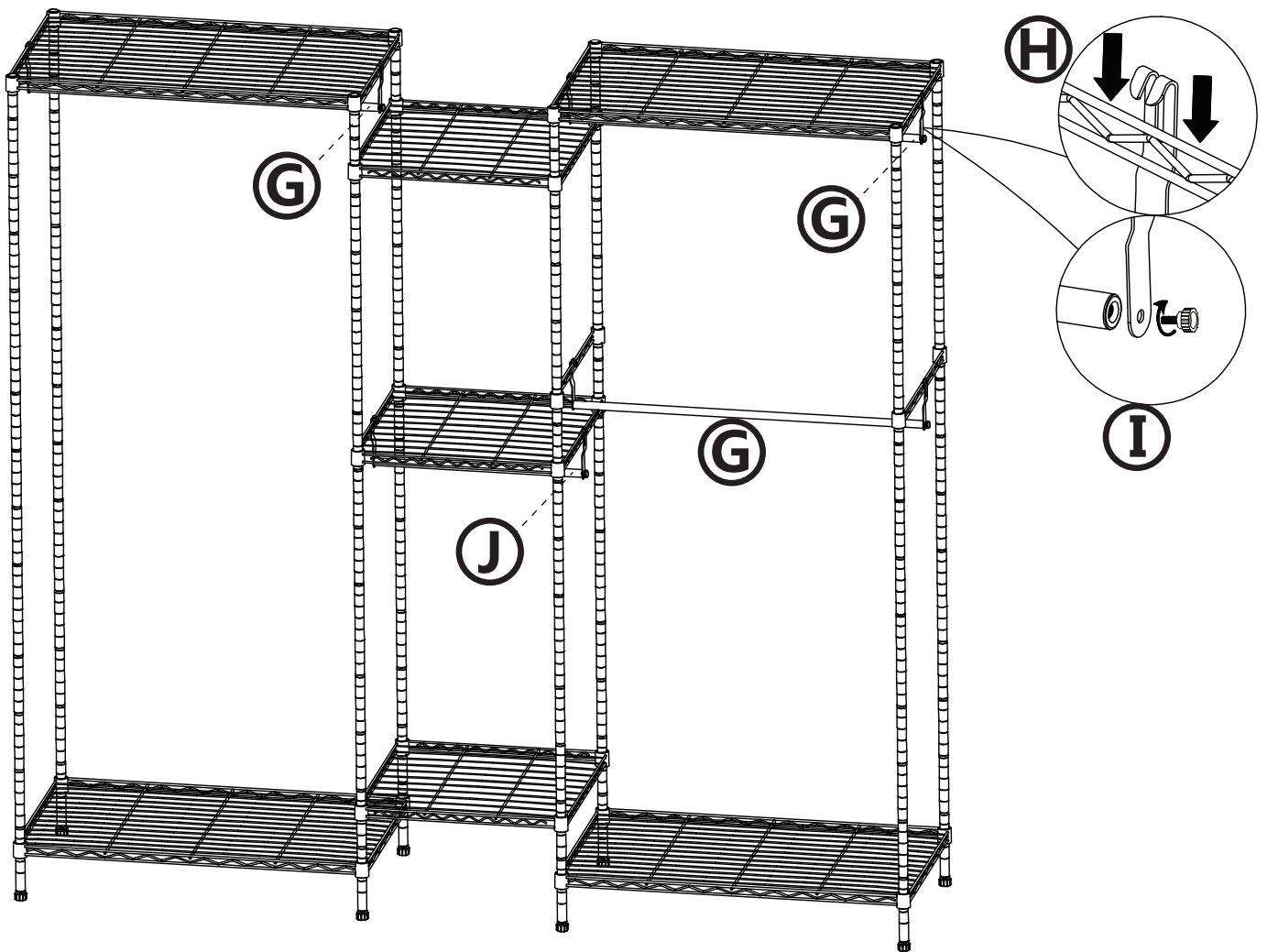


### Note :

For the purpose of a time-saving and hassle-free assembly, please assemble the parts in the order they are labeled in the drawing above, from (1) to (6).

# Assembly Steps

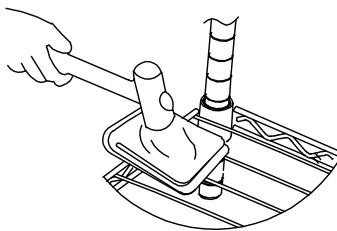
## Step 7



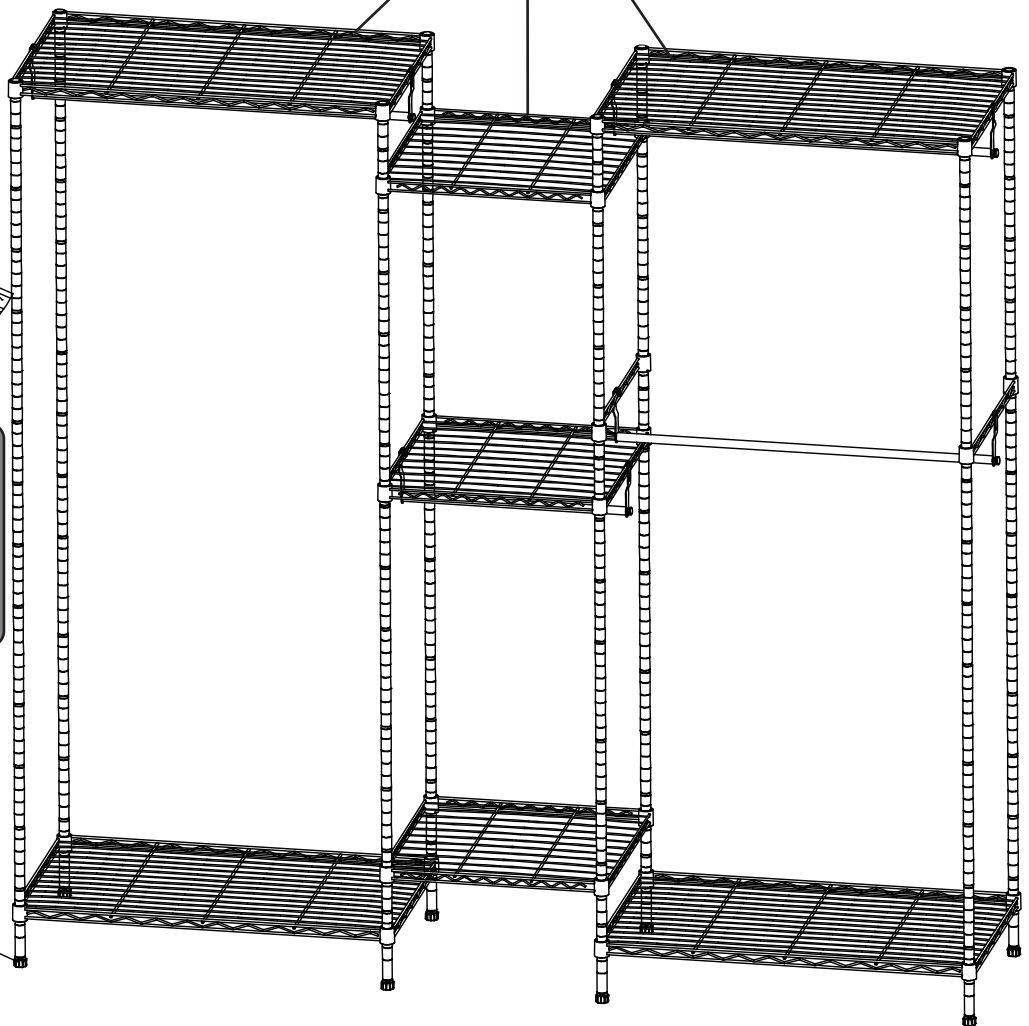
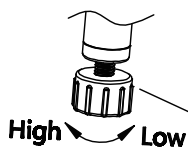
# Assembly Steps

## Step 8

Please ensure the total weight of items placed on the top three shelves is under 88.18 lb.

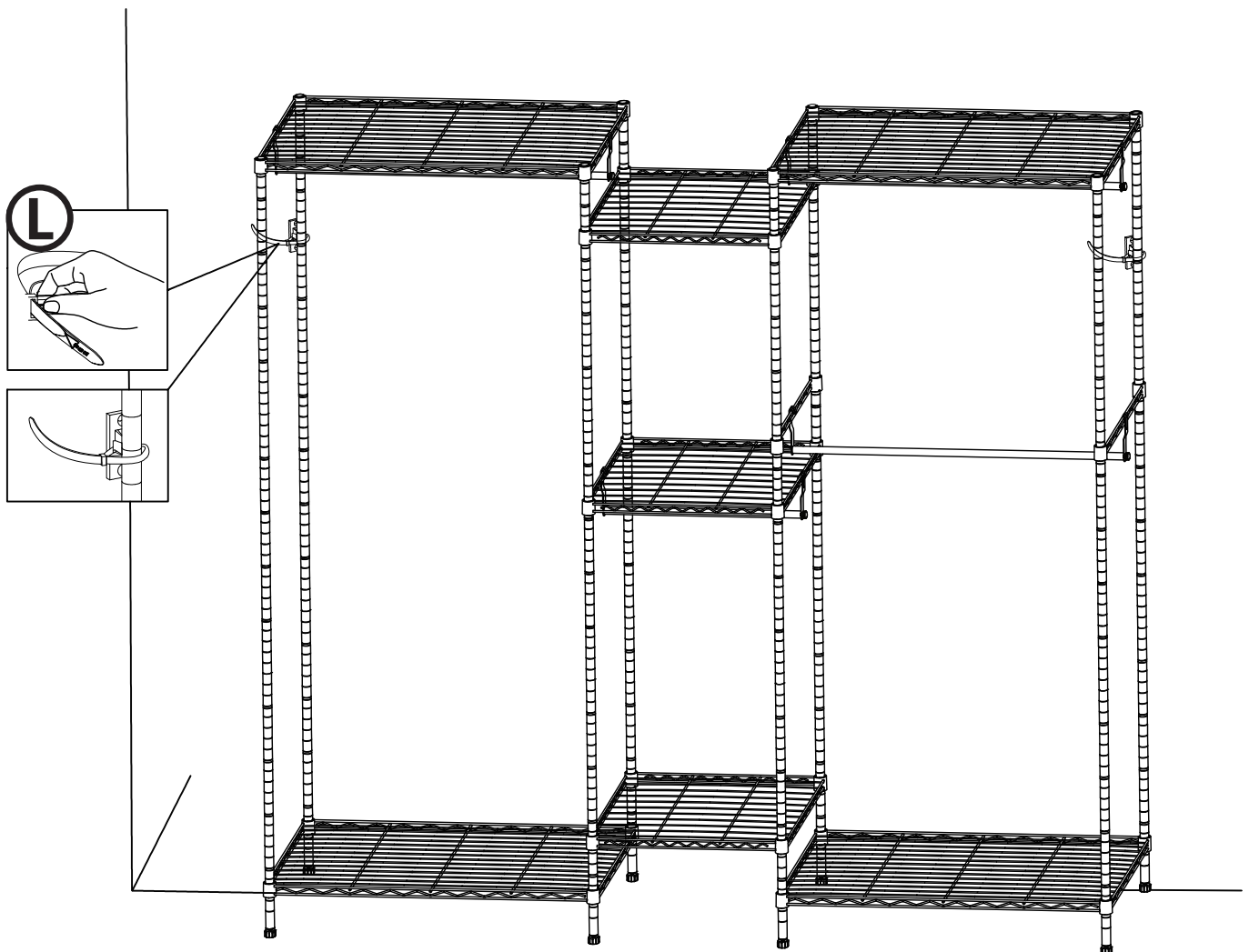
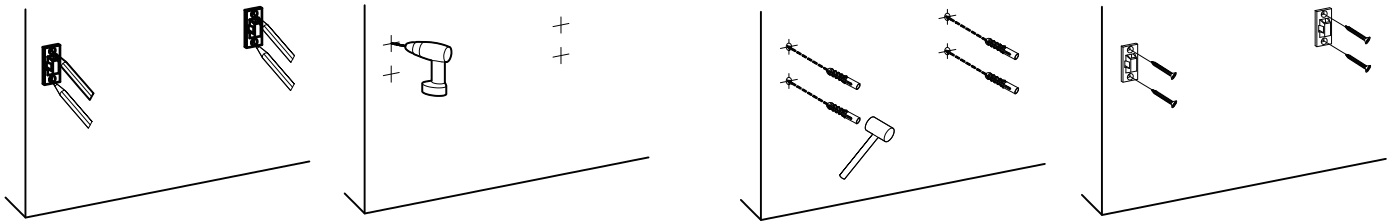


Note the rubber mallet is not included in the package, you can buy one from a local store if needed.



# Assembly Steps

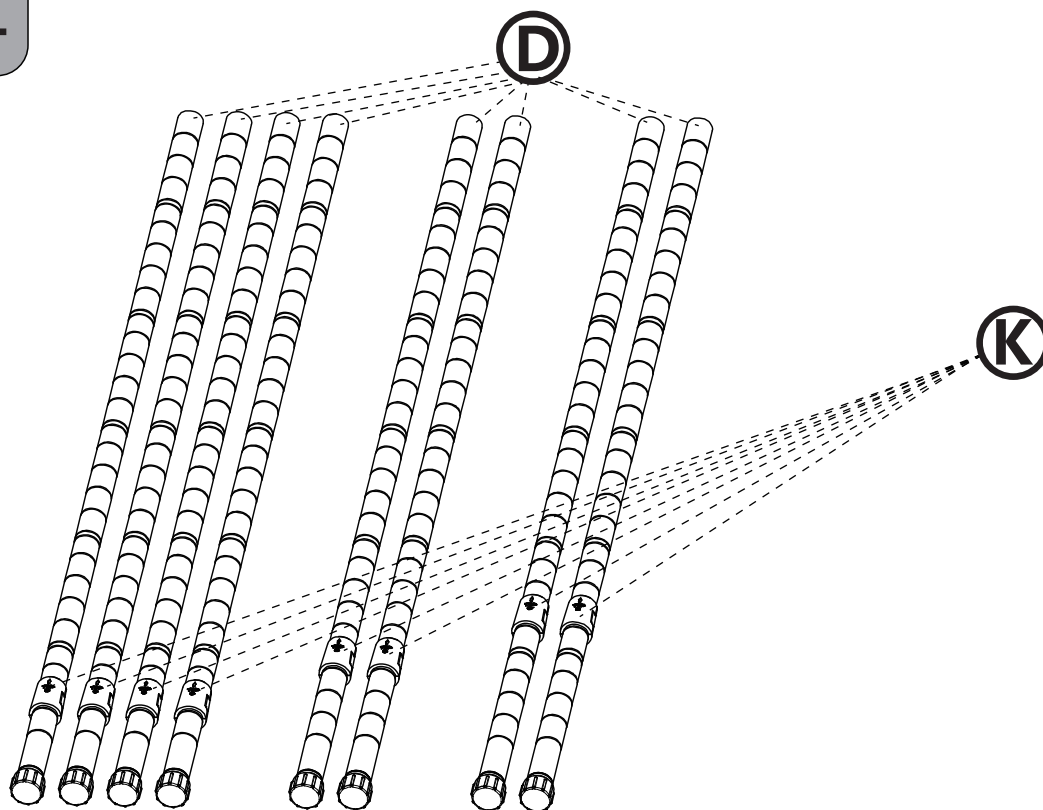
## Step 9



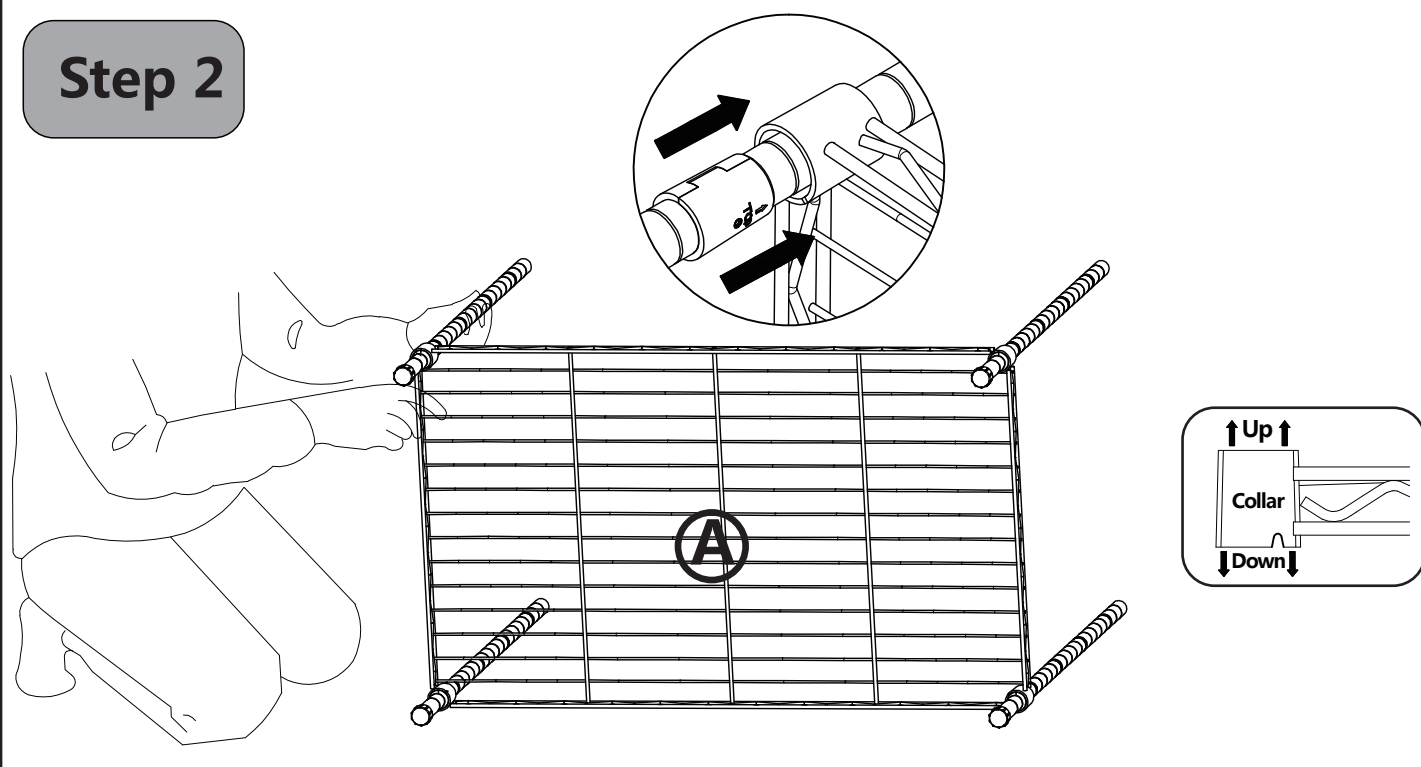
This garment rack can also be assembled in the shape of letter "L", the assembly steps are as follows:

## Assembly Steps

### Step 1

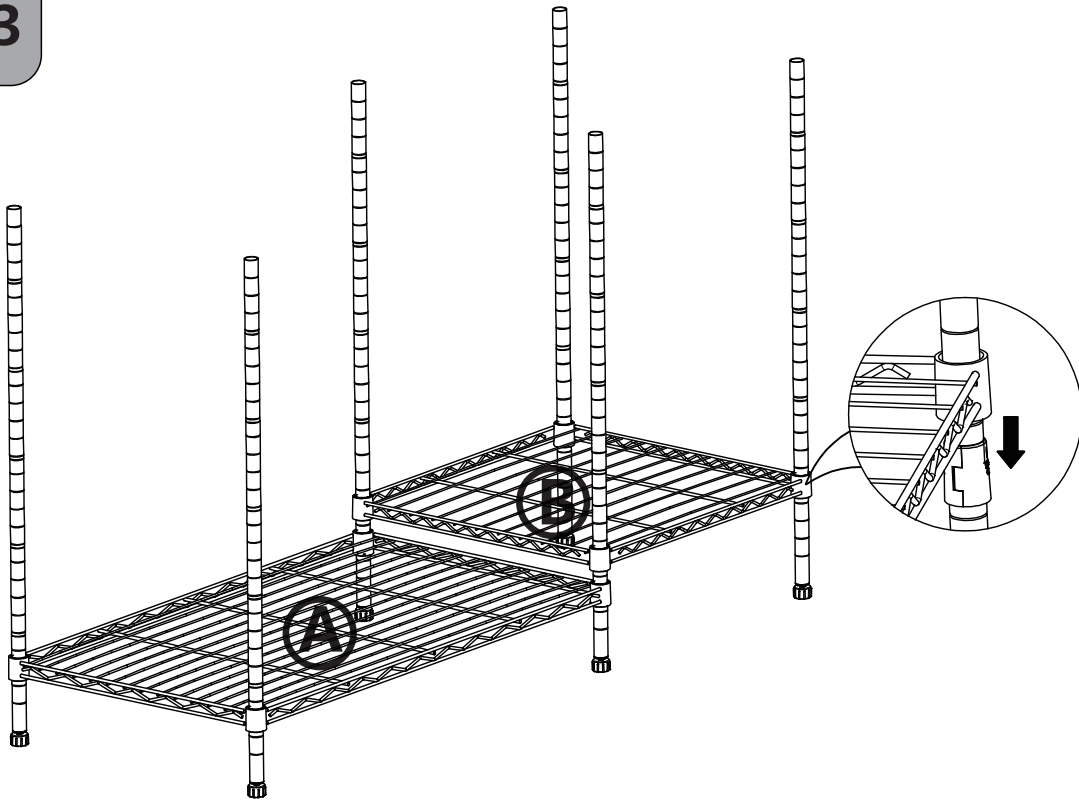


### Step 2

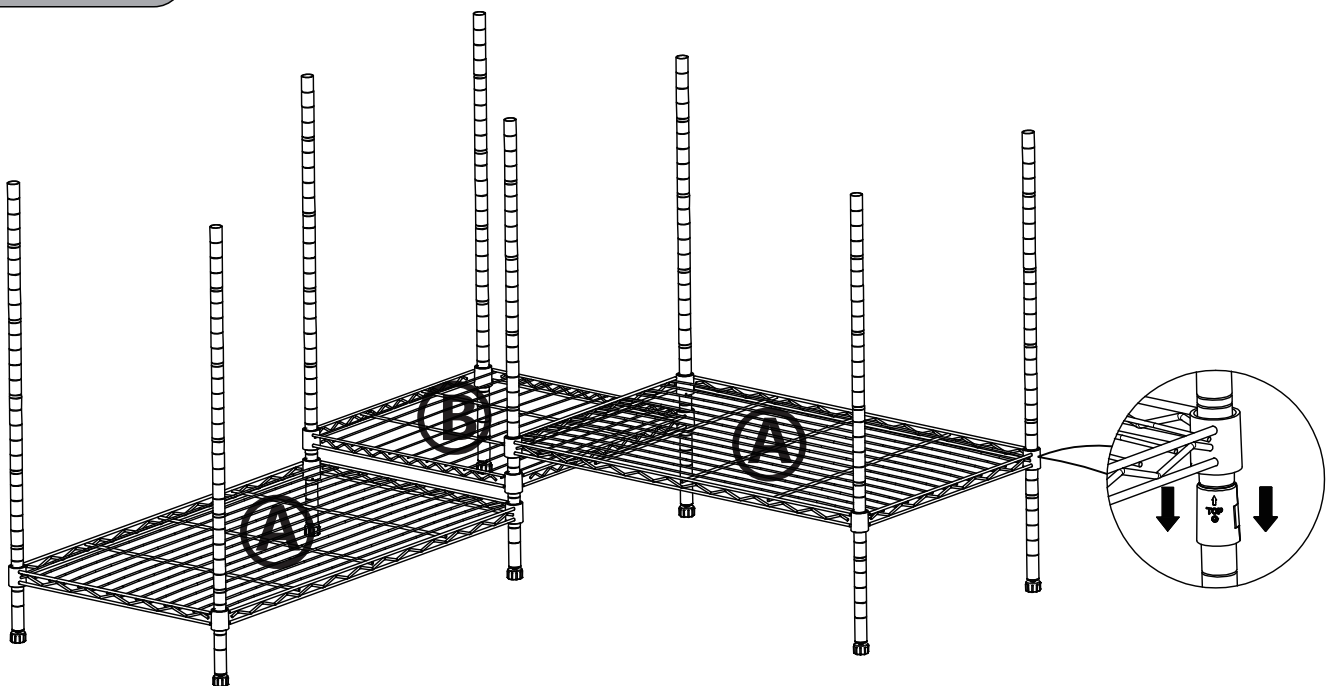


# Assembly Steps

## Step 3

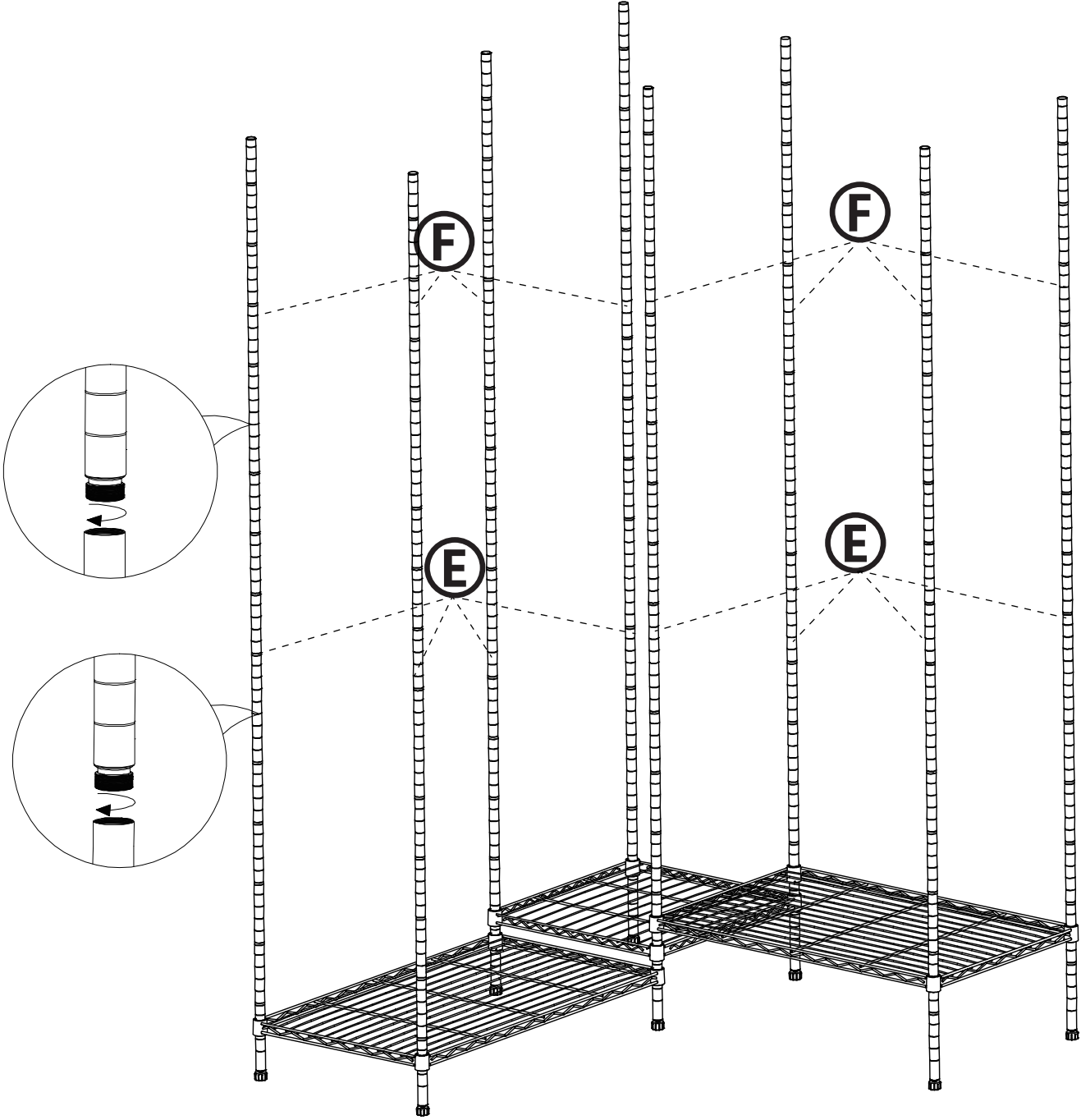


## Step 4



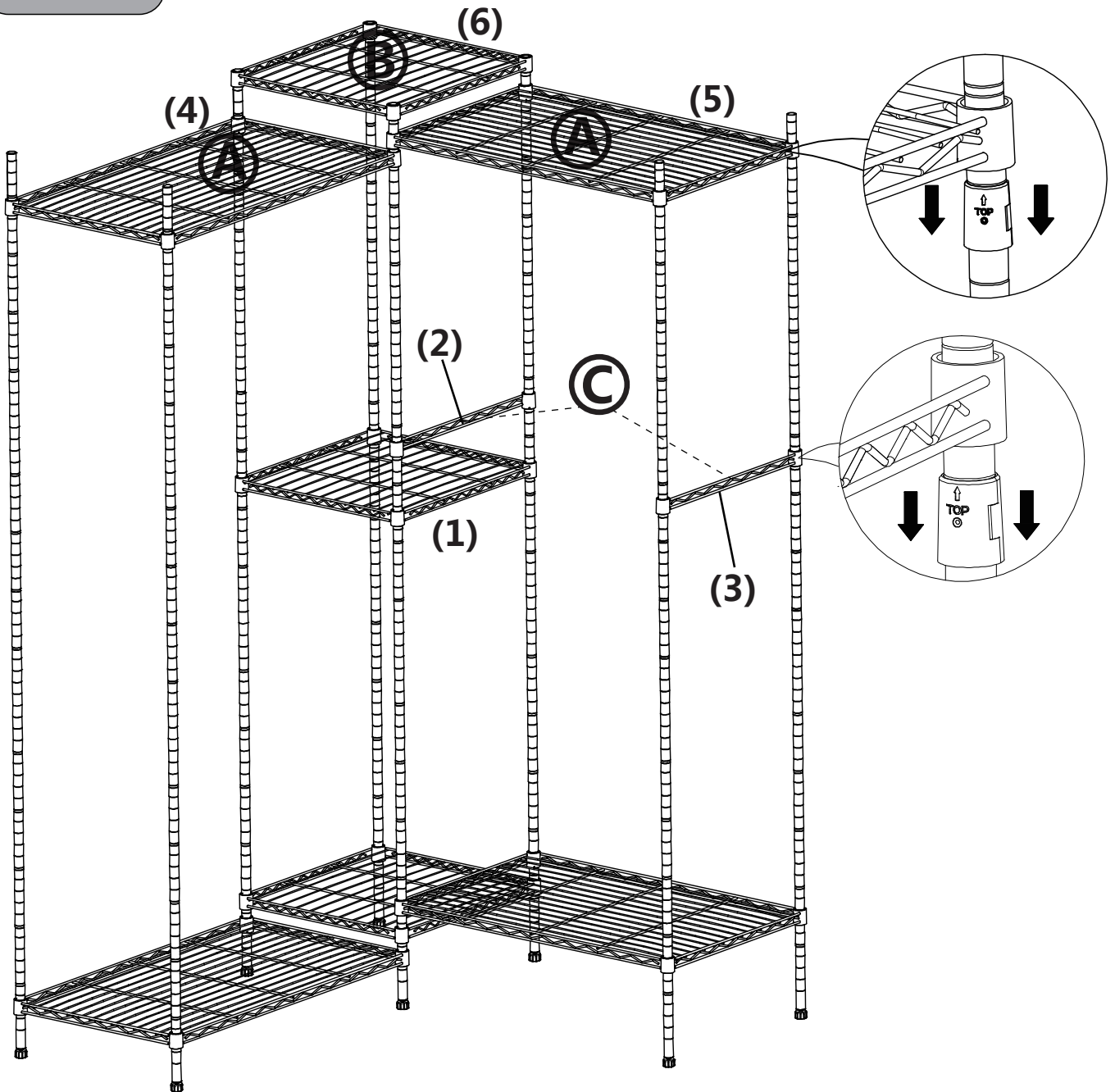
# Assembly Steps

Step 5



# Assembly Steps

## Step 6

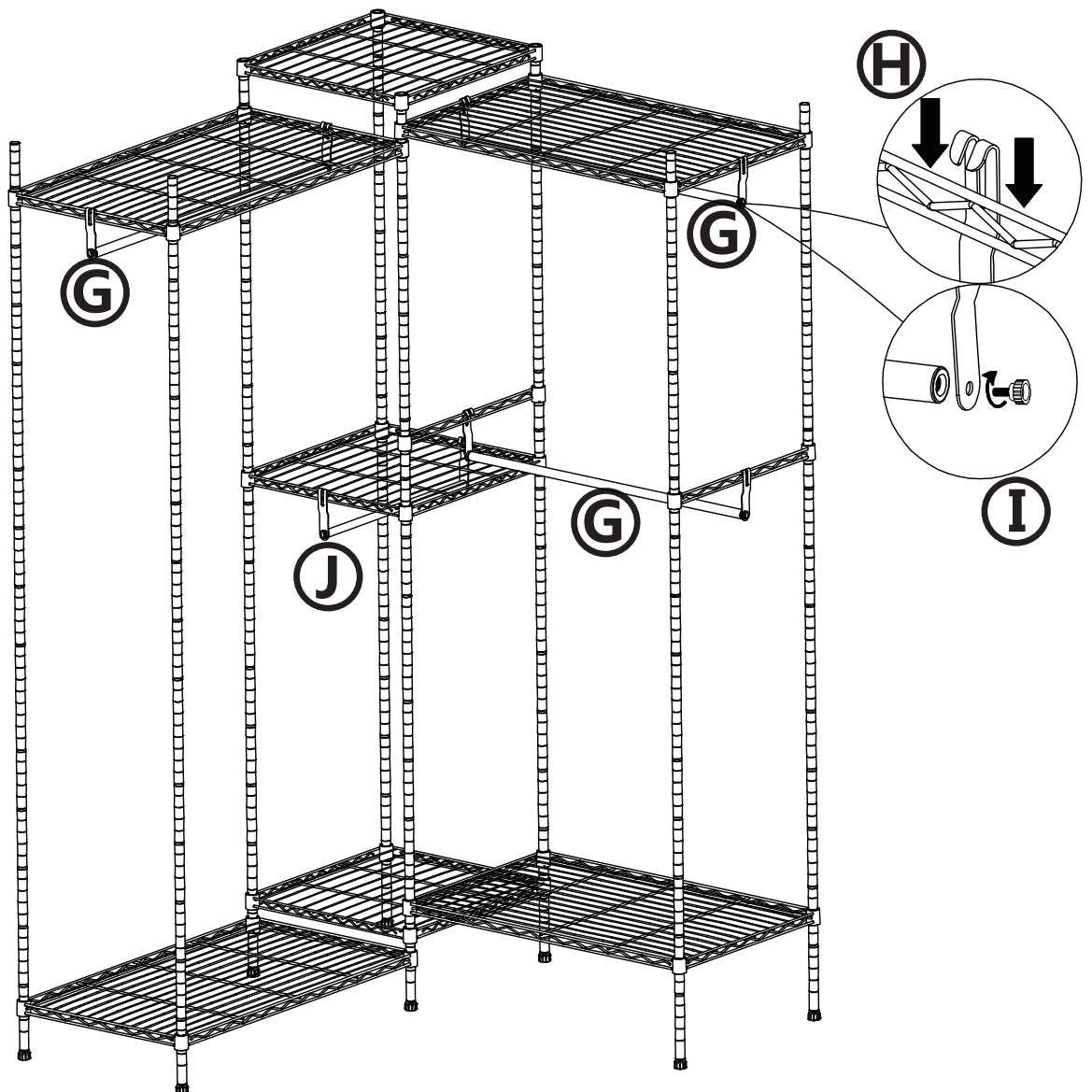


### Note :

For the purpose of a time-saving and hassle-free assembly, please assemble the parts in the order they are labeled in the drawing above, from (1) to (6).

# Assembly Steps

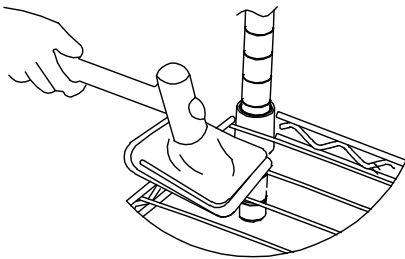
## Step 7



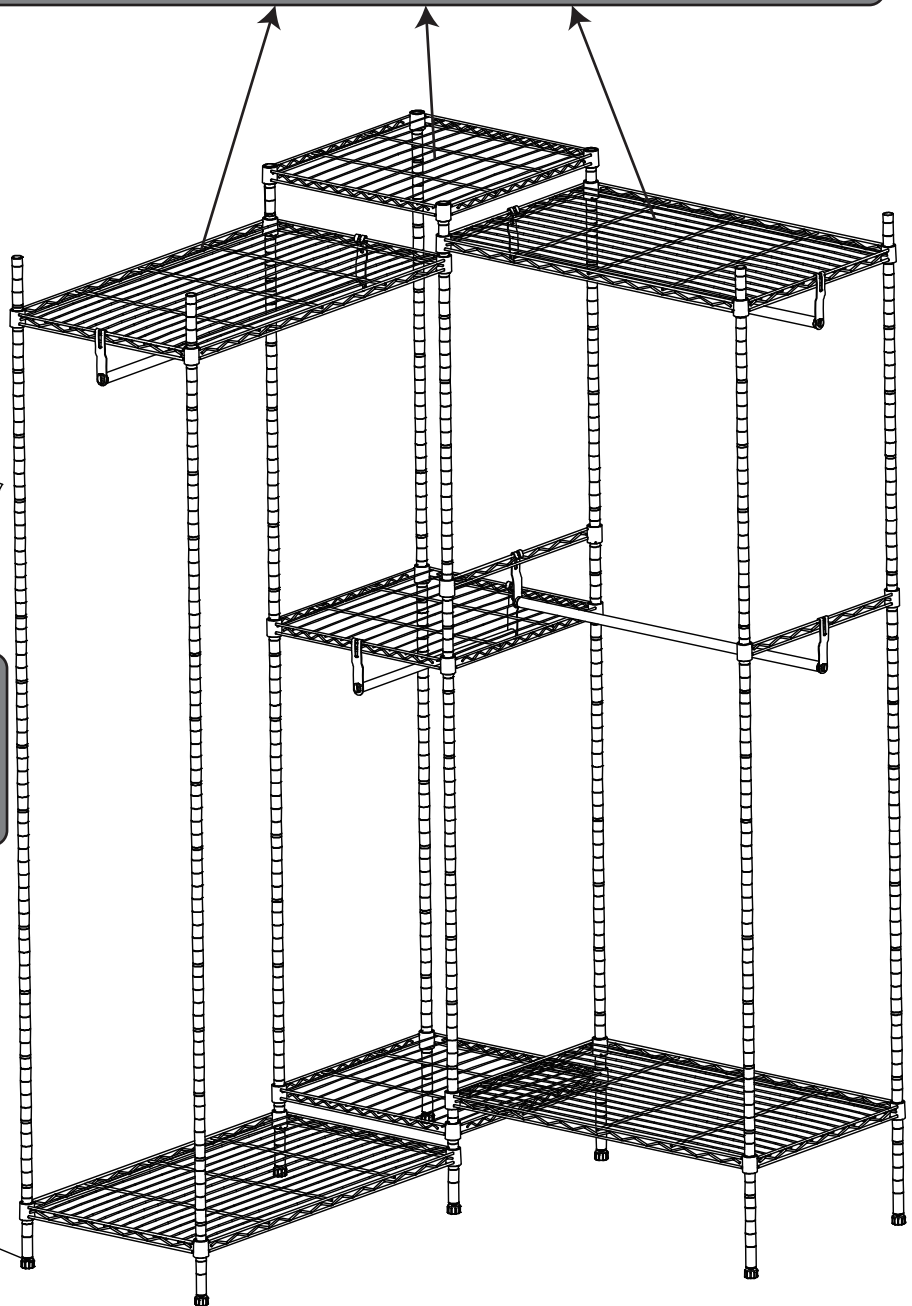
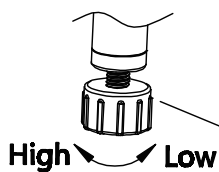
# Assembly Steps

## Step 8

Please ensure the total weight of items placed on the top three shelves is under 88.18 lb.

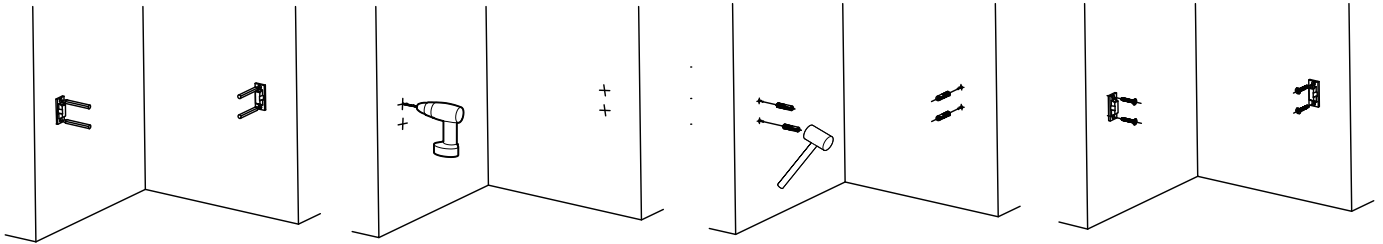


Note the rubber mallet is not included in the package, you can buy one from a local store if needed.

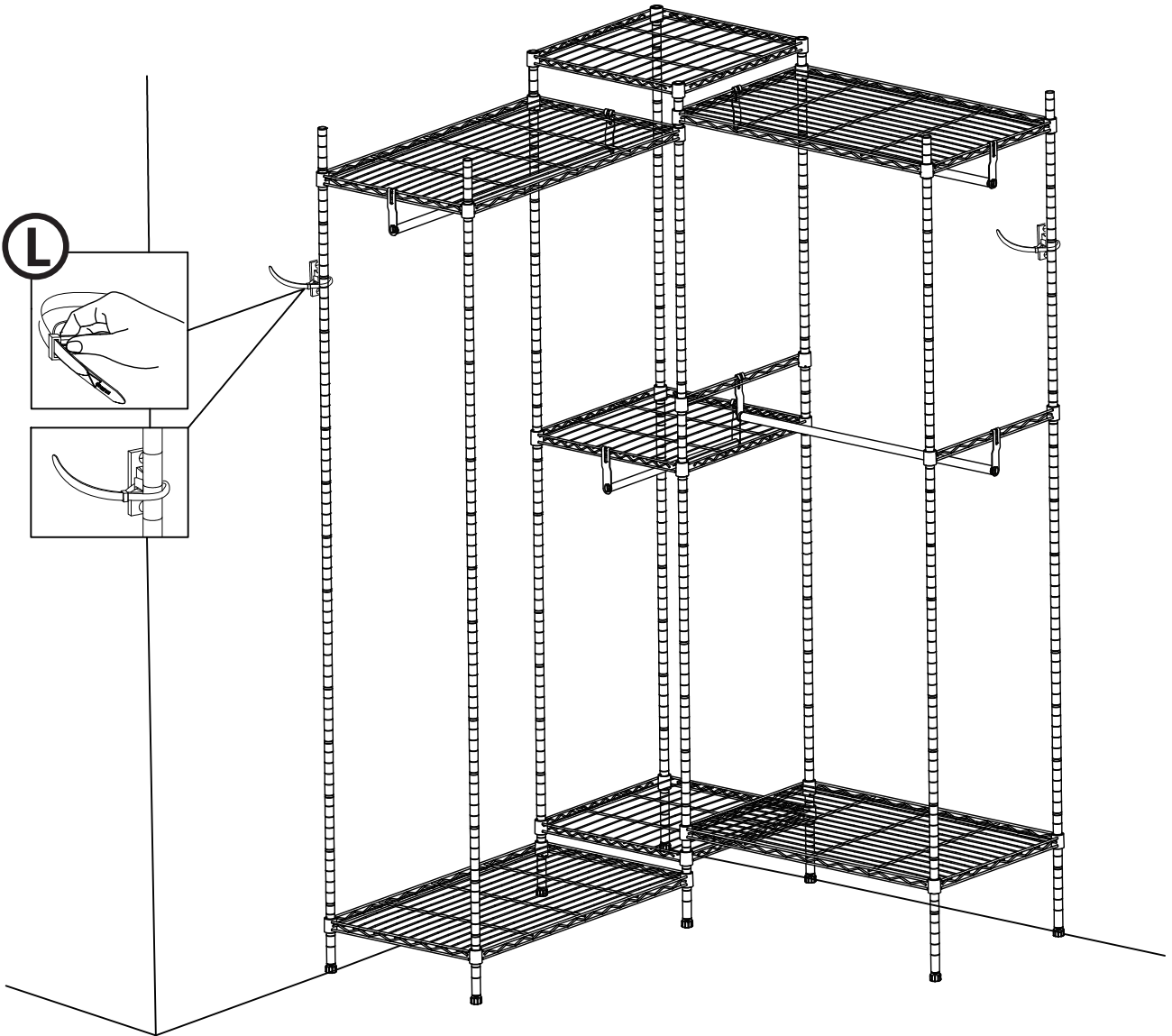
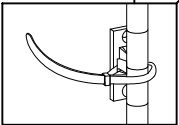
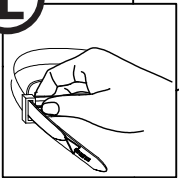


# Assembly Steps

## Step 9



**L**



# Assembly Steps

complete

