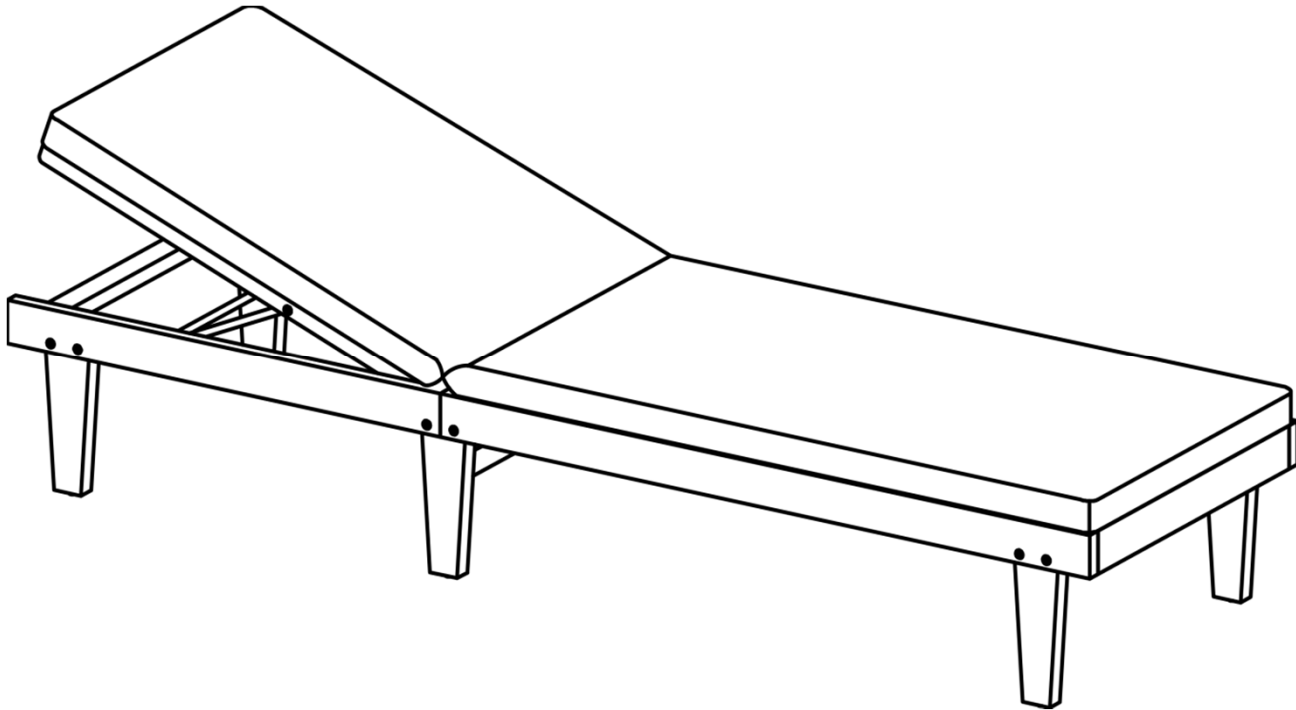


Assembly Instructions

Caution: You must read this before you proceed

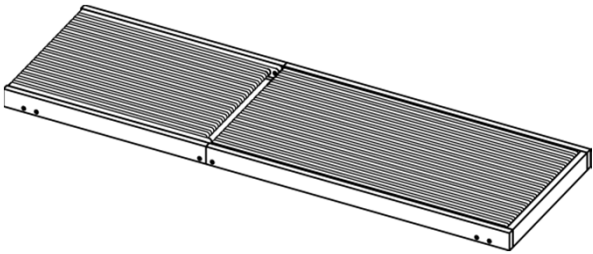
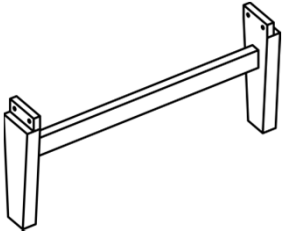

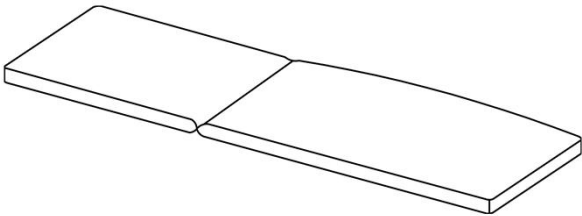
Please look in the Middle Leg for hardware packs.

Lounge






Caution: This Lounge is NOT a TOY
Keep your child/children at bay during the assembly process.
Whenever lifting or moving the Lounge and to prevent damage to the Lounge, two adults may be needed to execute these actions.

Part List

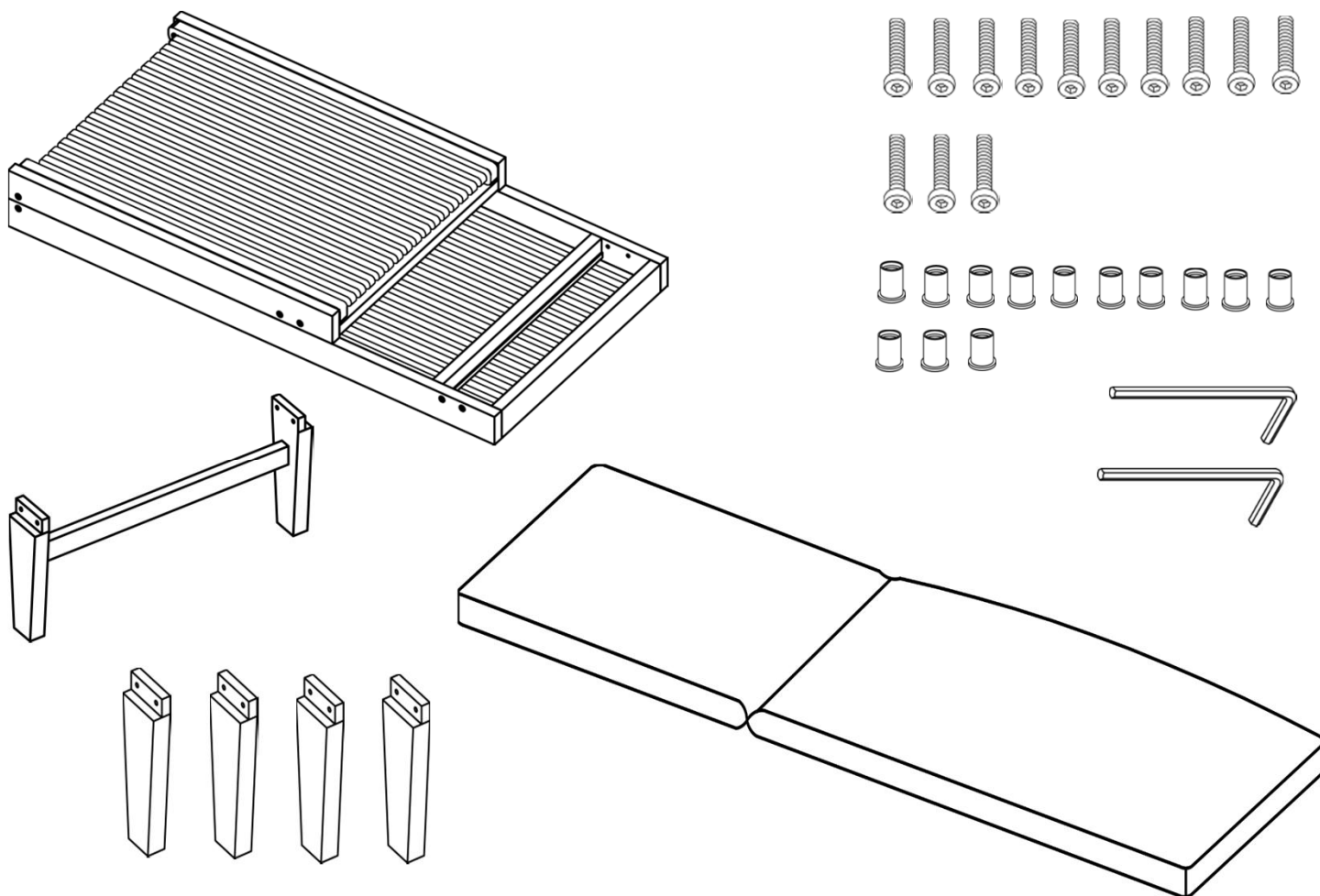
Label	Picture	Description	QTY
A		Foldable Seat Panel	1
B		Middle Leg	1
C		Side Leg	4
D		Foldable Cushion	1

Hardware

Label	Picture	Description	QTY
①		Bolt (M6x30mm)	13
②		Sleeve Nut (M6x15mm)	13
③		Allen Key	2

Assembly Preparation

Before Beginning Assembly:



- Read instructions, cover to cover-



- Have 2 adults on hand for assembly-



- Do not assemble on flooring or carpet-



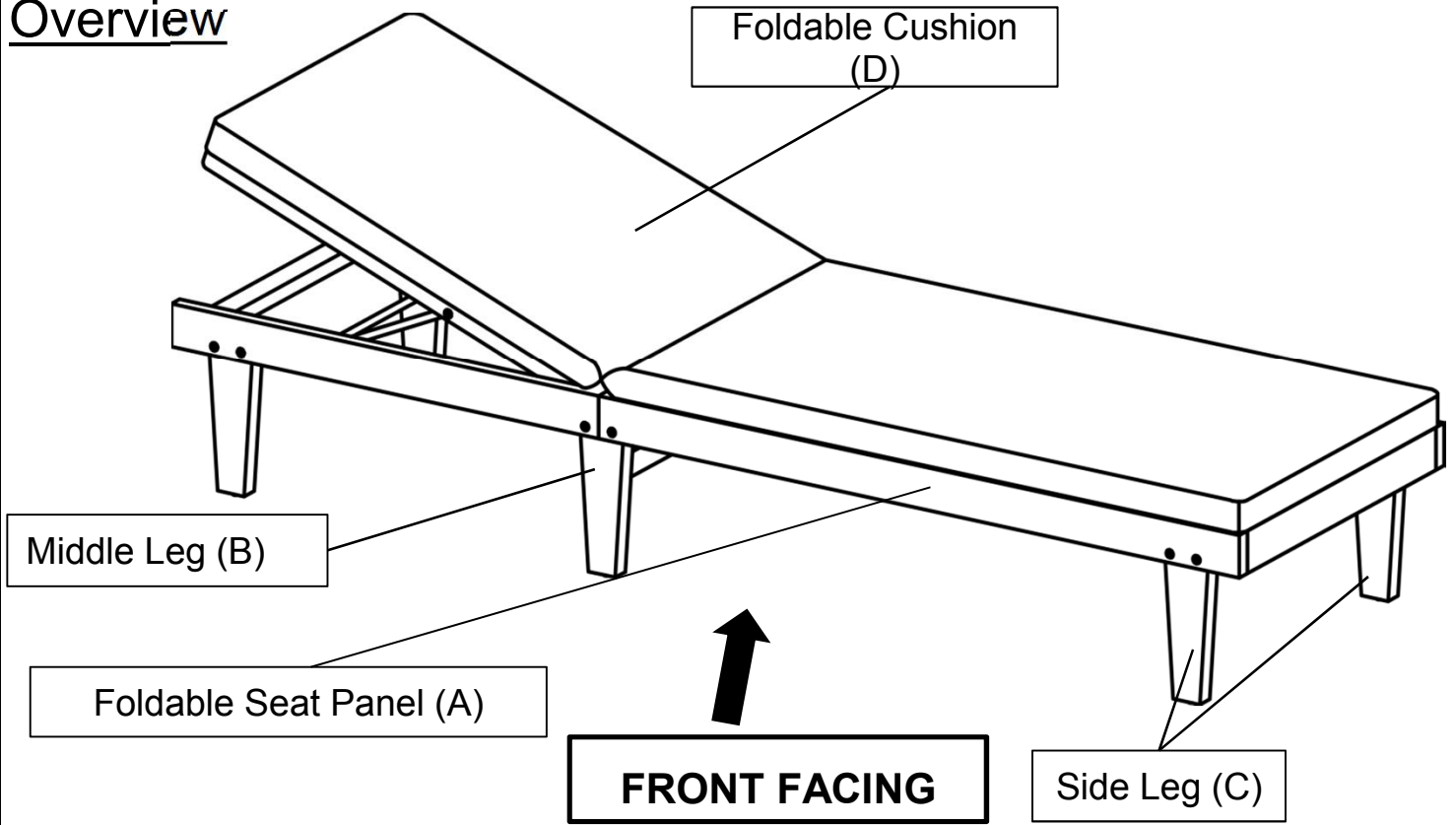
- Assemble on a clean non-marring surface (packing foam)-



- Save all packaging until finished-

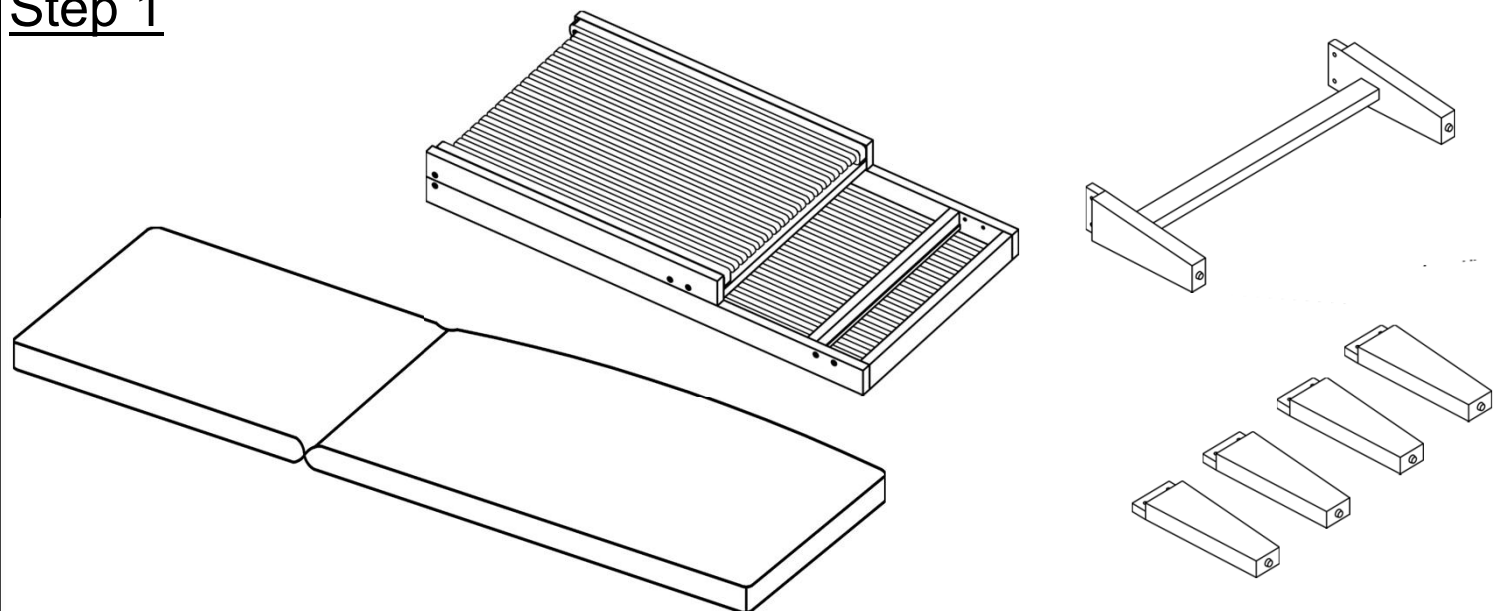
Assembly Steps

Overview



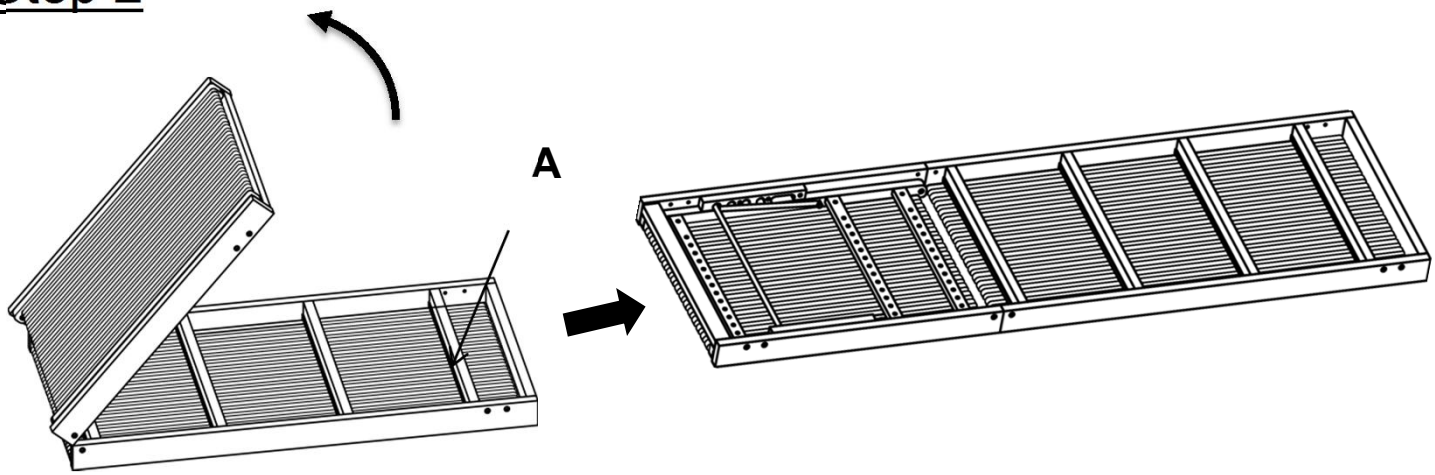
This Lounge has multiple parts and may require up to 30 minutes to assemble. To give you an overview of the Lounge parts, the above picture is to help you put the various parts into perspective. Please read through the instructions below to familiarise yourself with the parts and steps before assembly.

Step 1



Unpack and place all parts on a clean, non-marring surface.

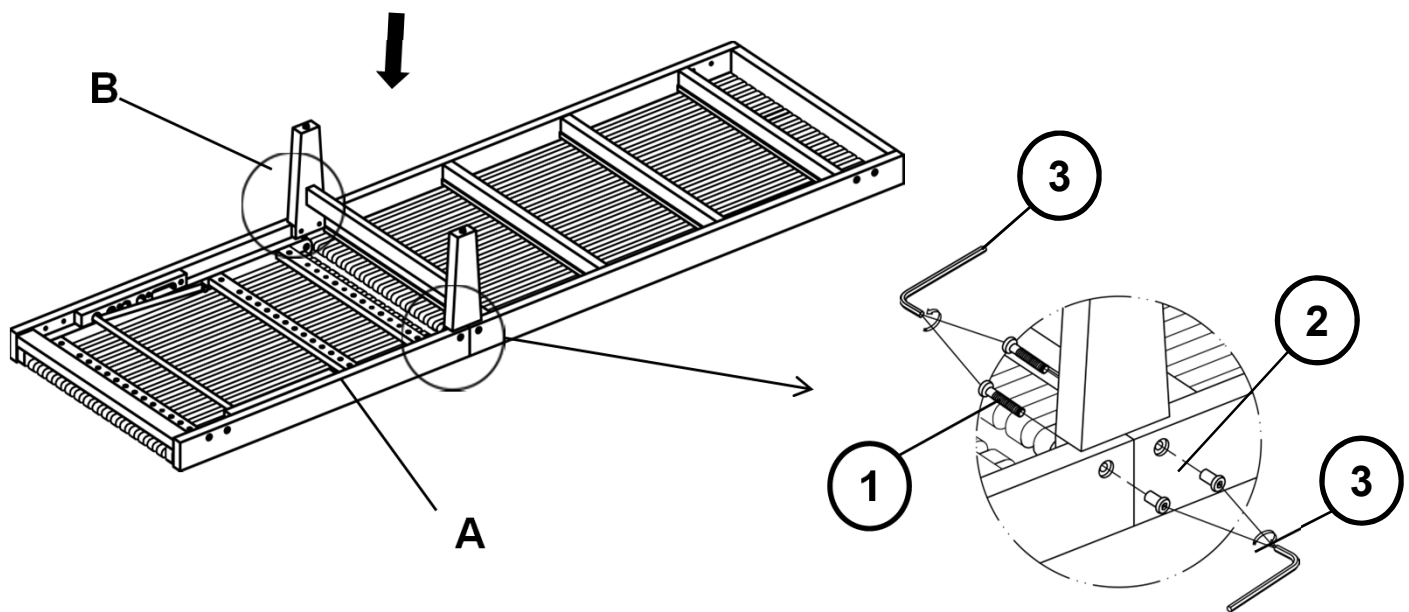
Step 2



Unfold the Foldable Seat Panel(A) as indicated by the arrows.

Caution: Be careful when opening the Foldable Seat Panel(A) to avoid fingers getting trapped or pinched

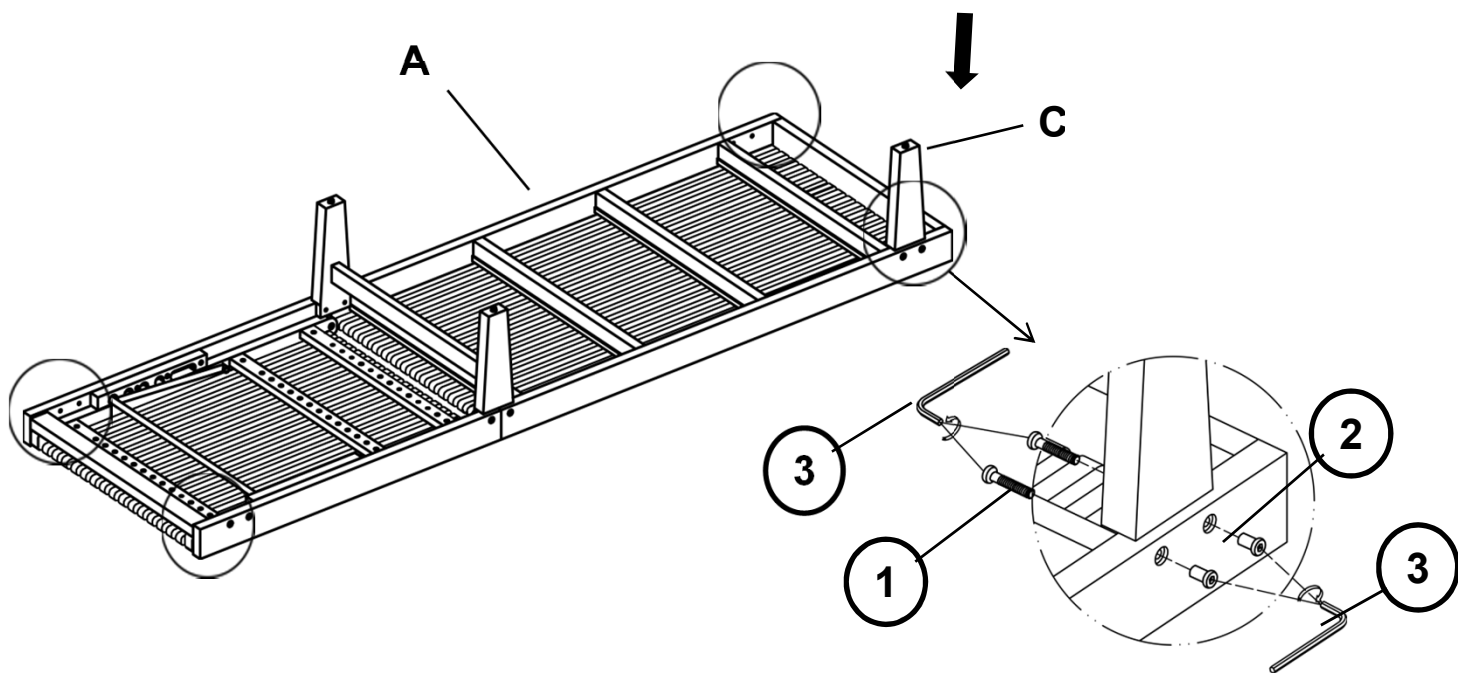
Step 3



Attach the Middle Leg(B) to the Foldable Seat Panel(A) using Bolts(①) and Sleeve Nuts(②) with Allen Keys(③) as pictured above.

Do not fully tighten the Bolts.

Step 4

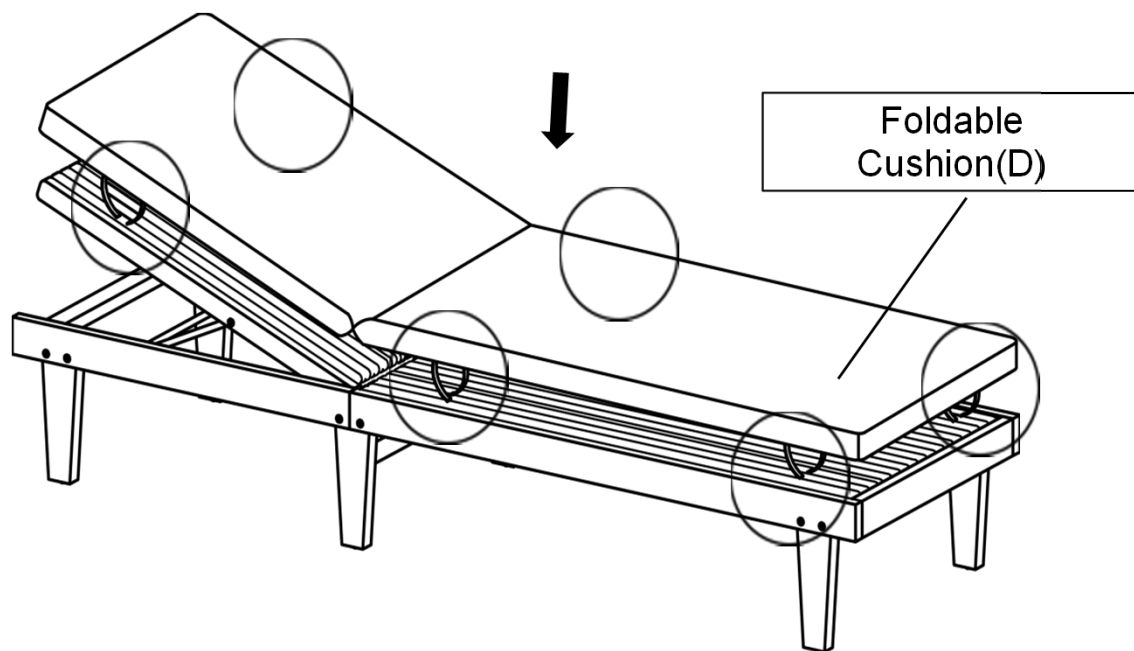


Attach Side Leg(C) to Foldable Seat Panel(A) using Bolts(①) and Sleeve Nuts(②) with Allen Keys(③).

Repeat the same process with the remaining three Side Legs(C).

Do not fully tighten the Bolts.

Step 5

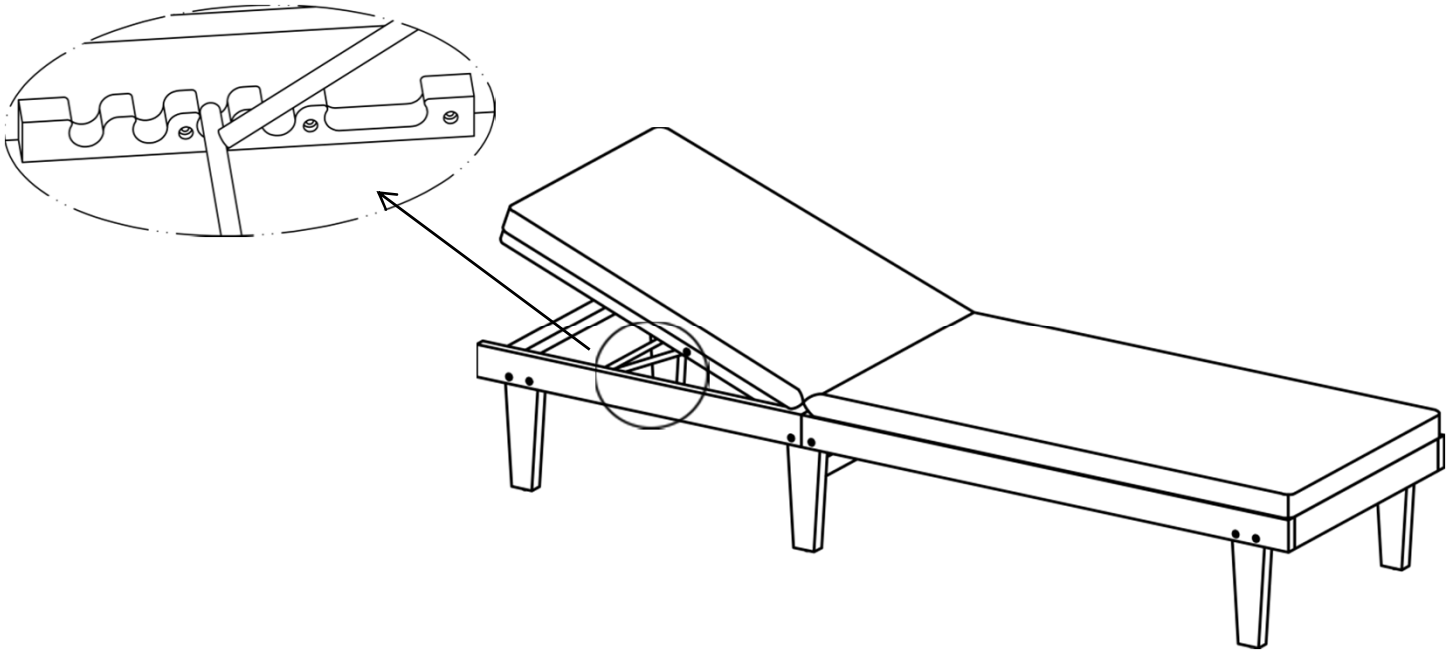


With assistance from your adult partners, turn the Lounge right side up onto a flat horizontal surface.

Place Foldable Seat Cushion (D) on to the Lounge.

Tie the velcro straps of Foldable Seat Cushion(D) to Foldable Seat Panel(A) as shown above.

Step 6



EXERT pressure, floorwards, onto the Seat Panel.

This pressure will help the Legs and Seat Panel reach alignment at all joints.

Check for wobbles.

In a sequential manner, gradually tighten all Bolts until evenly secured.



















Inspect the Lounge and make sure all parts are adequately connected.

Align the Backrest of the Lounge in position you want as pictured above.

Your Lounge is ready for use.

This Lounge can only be used on a flat, level surface.

Care & Maintenance

-   ● Do not put hot items directly on furniture surface
 -   ● Do not clean furniture with harsh cleansers or polish.
 -   ● To obtain the longest lifespan of your outdoor products, minimizing exposure to direct sunlight is recommended.
 -   ● Children should not climb or jump on the furniture.
 -   ● Do not write on furniture without a padded barrier to protect the surface.
 -   ● To obtain the longest lifespan of your outdoor products, avoid extended and lengthy exposure to rain, snow, and direct sunshine. Whenever possible cover the product and /or place under patio or awnings.
 -   ● Not for commercial use. For residential use only .
 -   ● Stains may be removed with mild soap solution and damp cloth.
-
-   ● Dust and pick-up spills using a clean, non-colored, lint-free cloth .