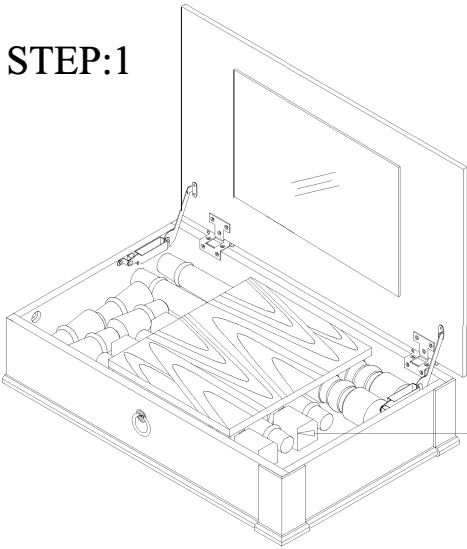


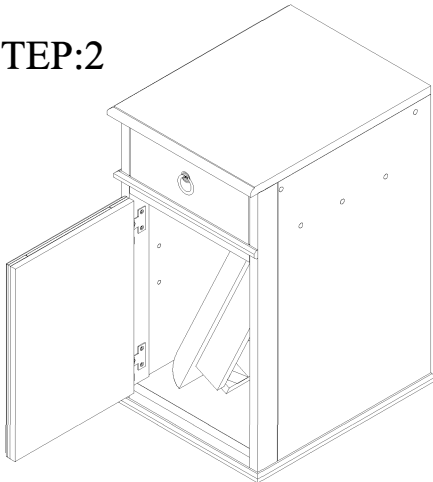
ASSEMBLY INSTRUCTION

STEP:1

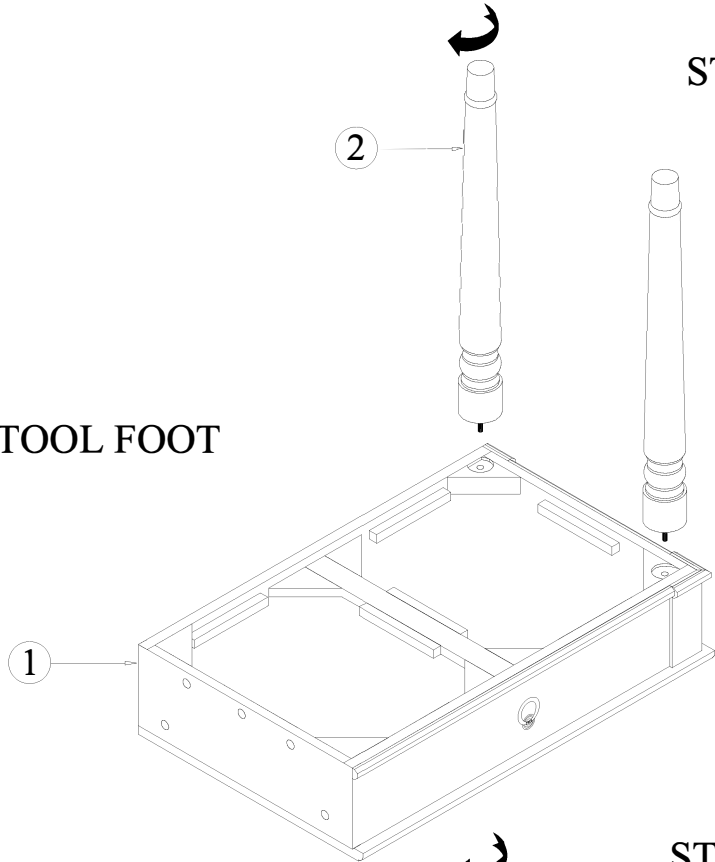


STOOL FOOT

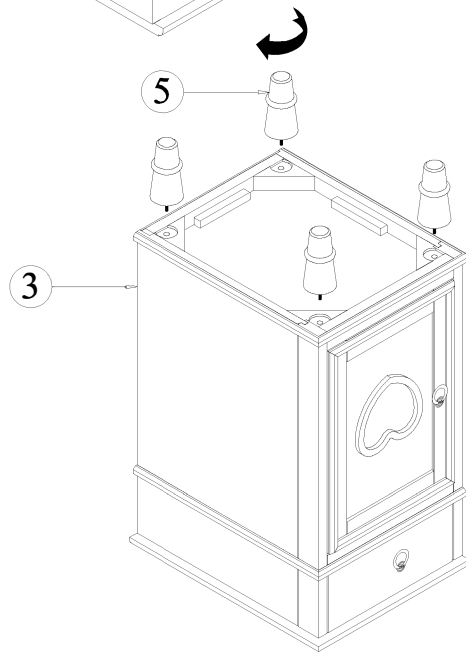
STEP:2



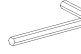




STEP:3



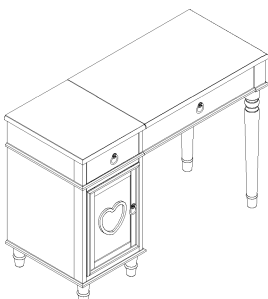
STEP:4



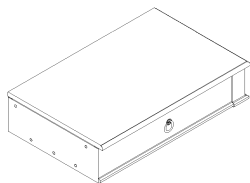
HARDWARE LIST

NO	DESCRIPTION		
A	ALLEN KEY		1PC
B	JCBC BOLT(Ø1/4"*38mm)		5PCS
C	SPRING WASHER (Ø1/4"*Ø12mm)		5PCS
D	FLAT WASHER (Ø1/4"*Ø19mm)		5PCS
E	BASS DECKING		4PCS

ASSEMBLY LS COMPLETED



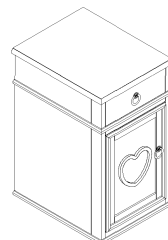
PLERT LIST



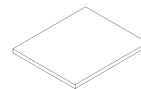
1- TOP (1PC)



2- LEG (2PCS)



3-Dresser(1PS)



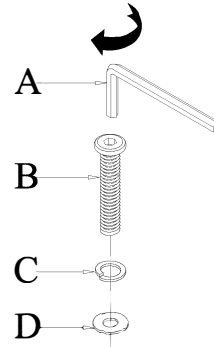
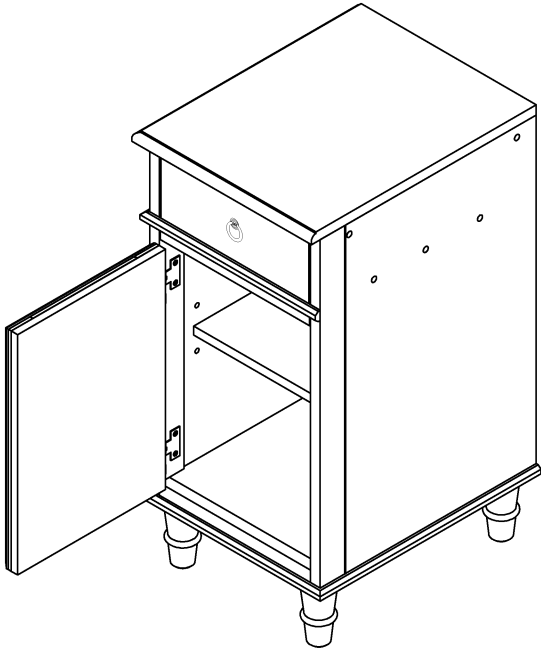
4-Floor planks(1ps)



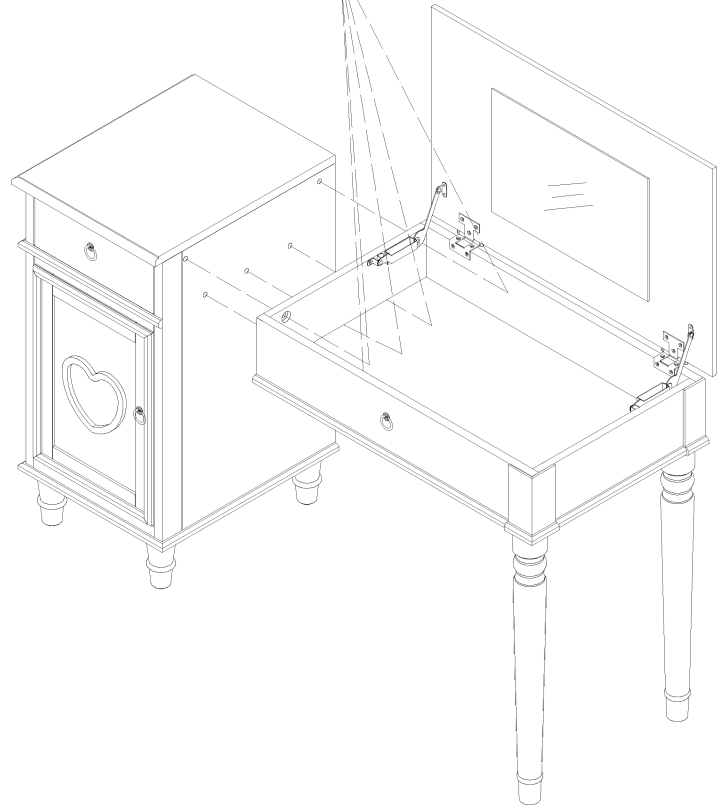
5- LEG (4PCS)

ASSEMBLY INSTRUCTION

STEP:5



STEP:6



STEP:7

