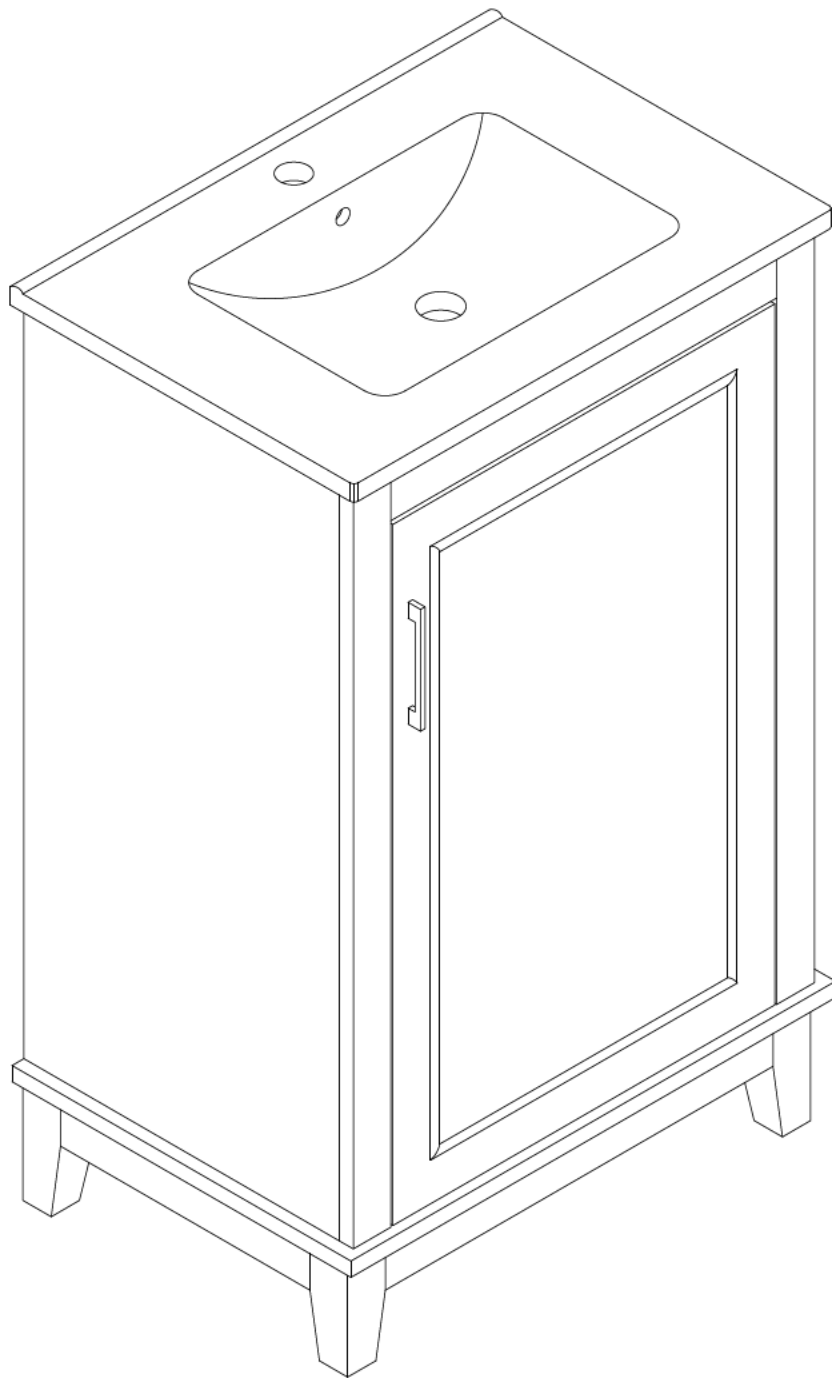
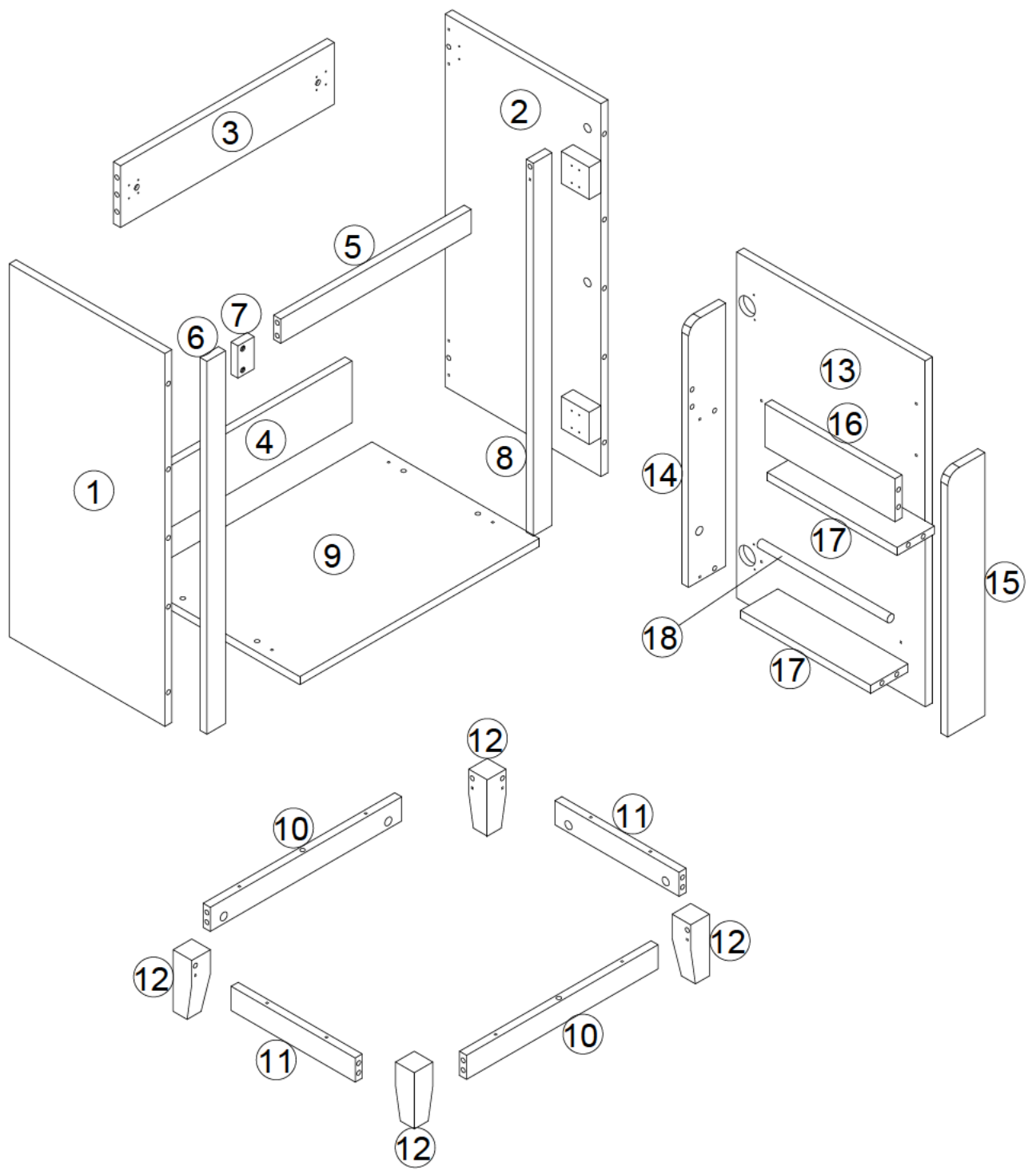
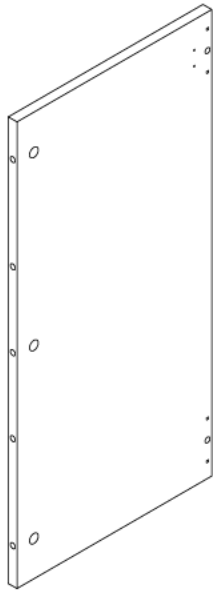


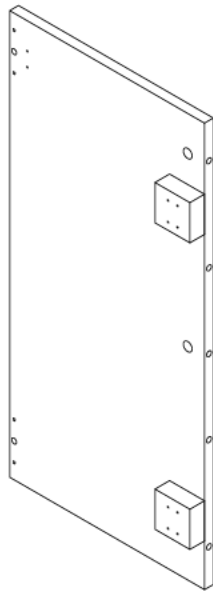
# ASSEMBLY INSRTRUCTION



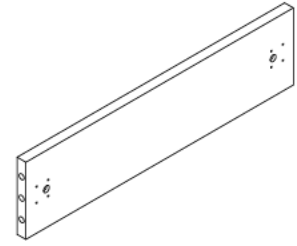




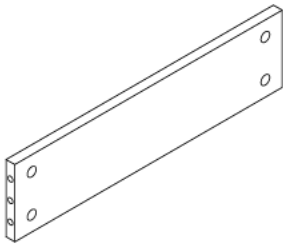
① x 1



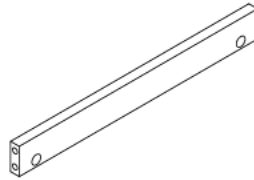
② x 1



③ x 1



④ x 1



⑤ x 1



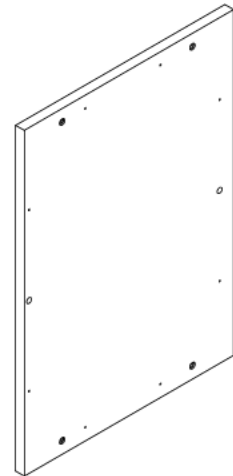
⑥ x 1



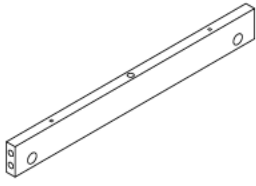
⑦ x 1



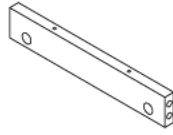
⑧ x 1



⑨ x 1



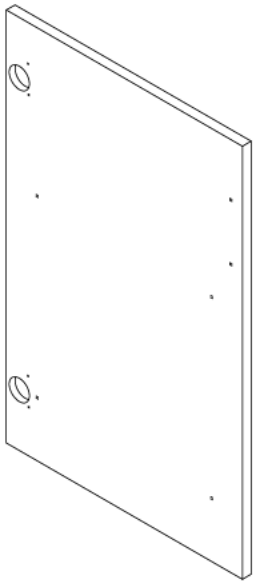
⑩ x 2



⑪ x 2



⑫ x 4



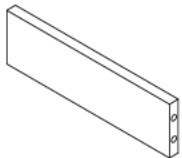
⑬ x 1



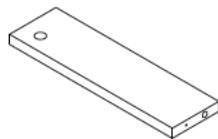
⑭ x 1



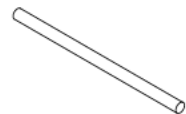
⑮ x 1







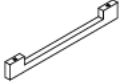





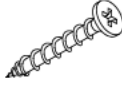



⑯ x 1



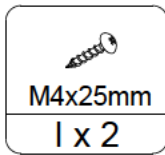
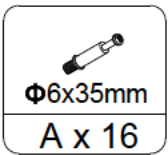
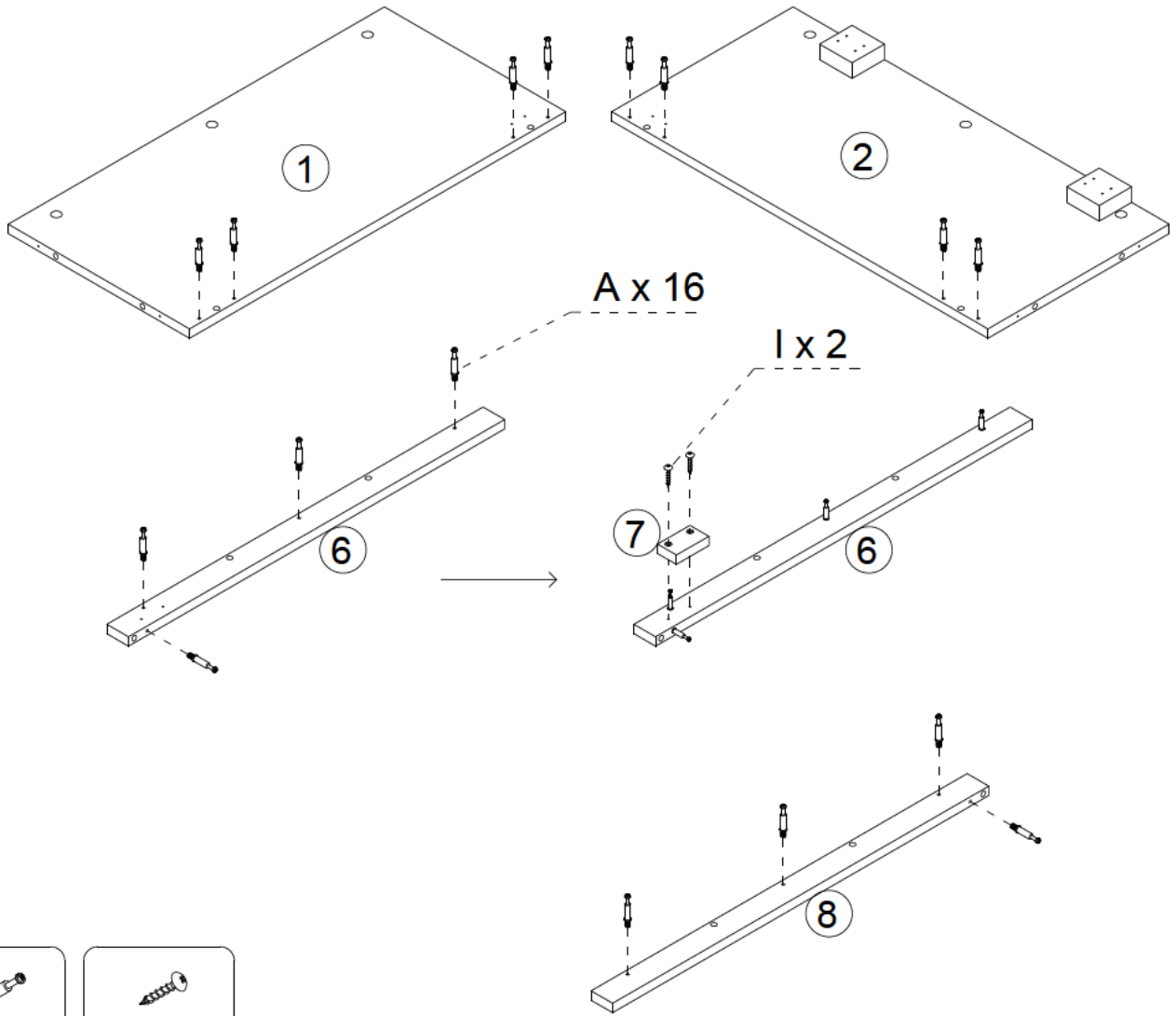
⑰ x 2



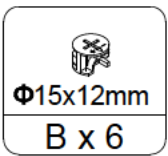
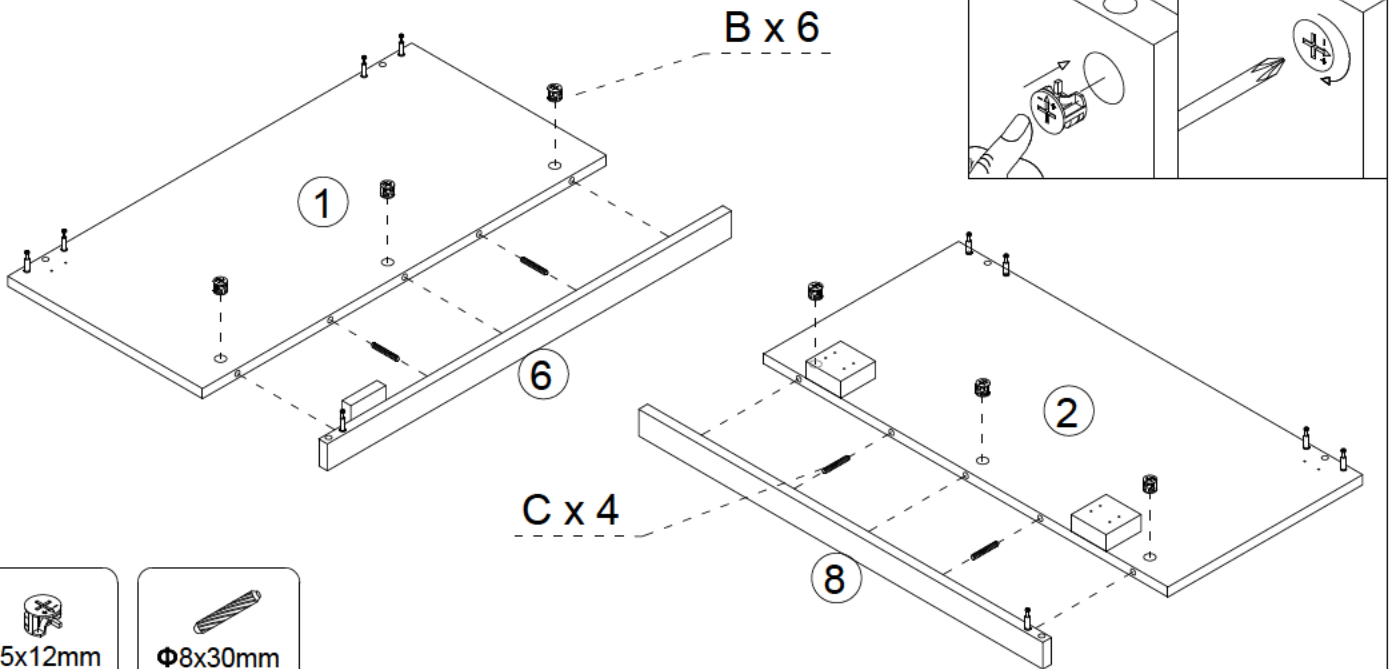
⑱ x 1

					
$\Phi 6 \times 35 \text{mm}$ A x 30+2	$\Phi 15 \times 12 \text{mm}$ B x 30+2	$\Phi 8 \times 30 \text{mm}$ C x 32+2	M4x20mm D x 2	E x 1	M4x14mm F x 12+1
					
G x 2	M4x35mm H x 8	M4x25mm I x 2	M4x12mm J x 12+1	M4x35mm K x 6	L x 2
					
$\Phi 8 \times 40 \text{mm}$ M x 2	M6x60mm N x 2				

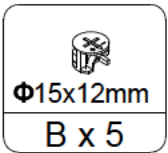
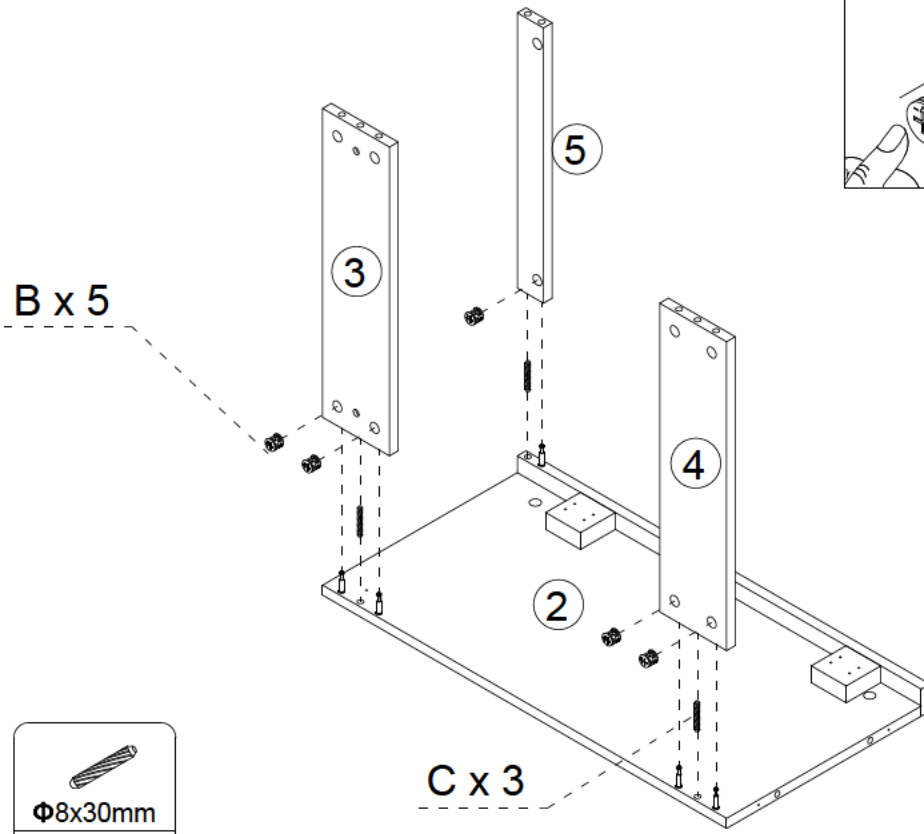
# Step 1



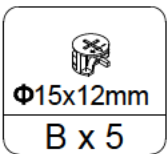
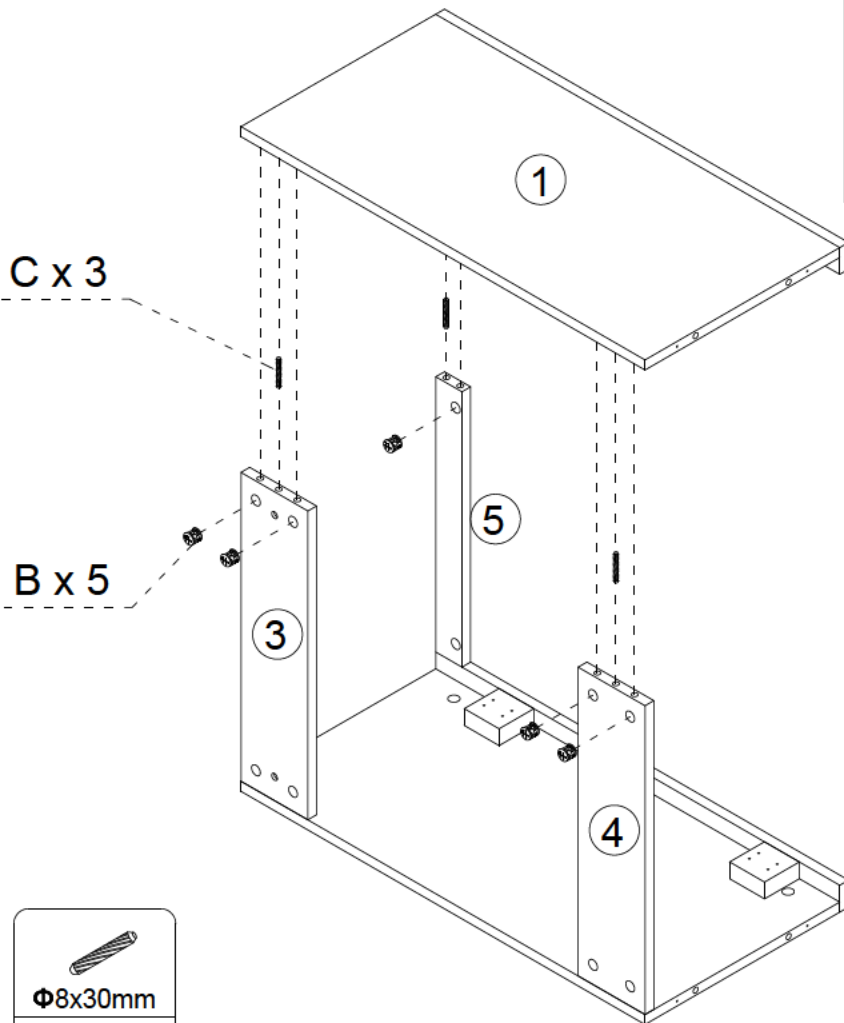
# Step 2



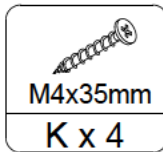
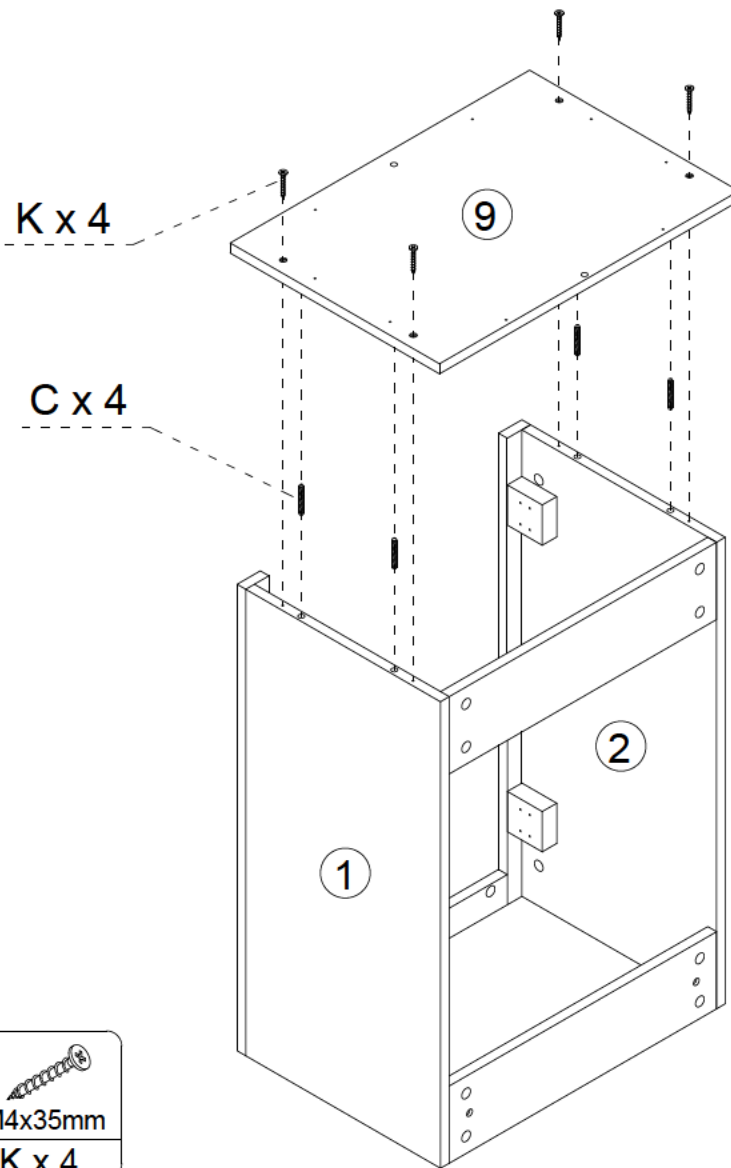
### Step 3



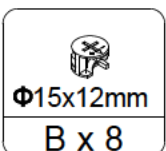
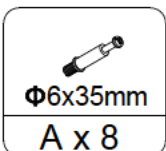
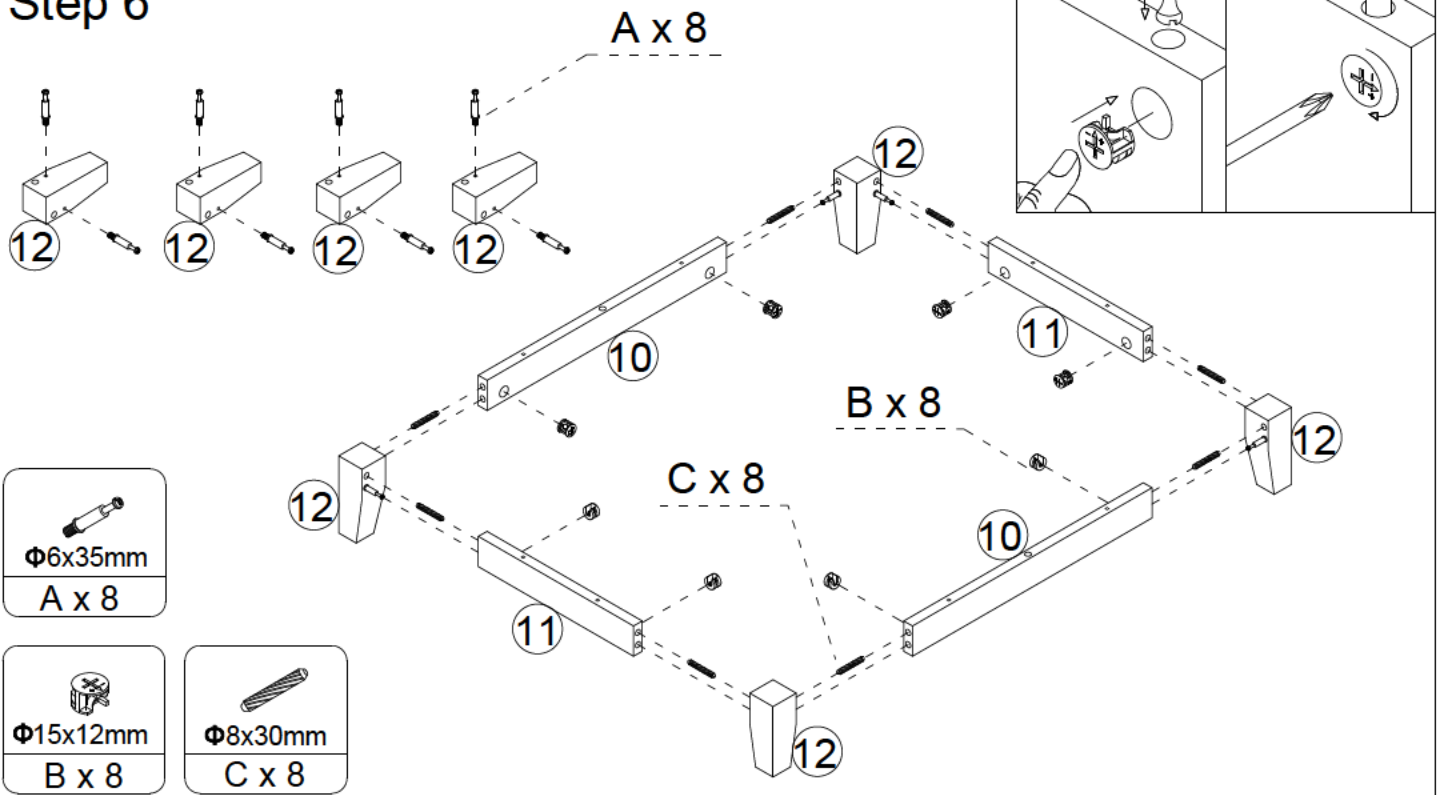
### Step 4



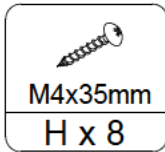
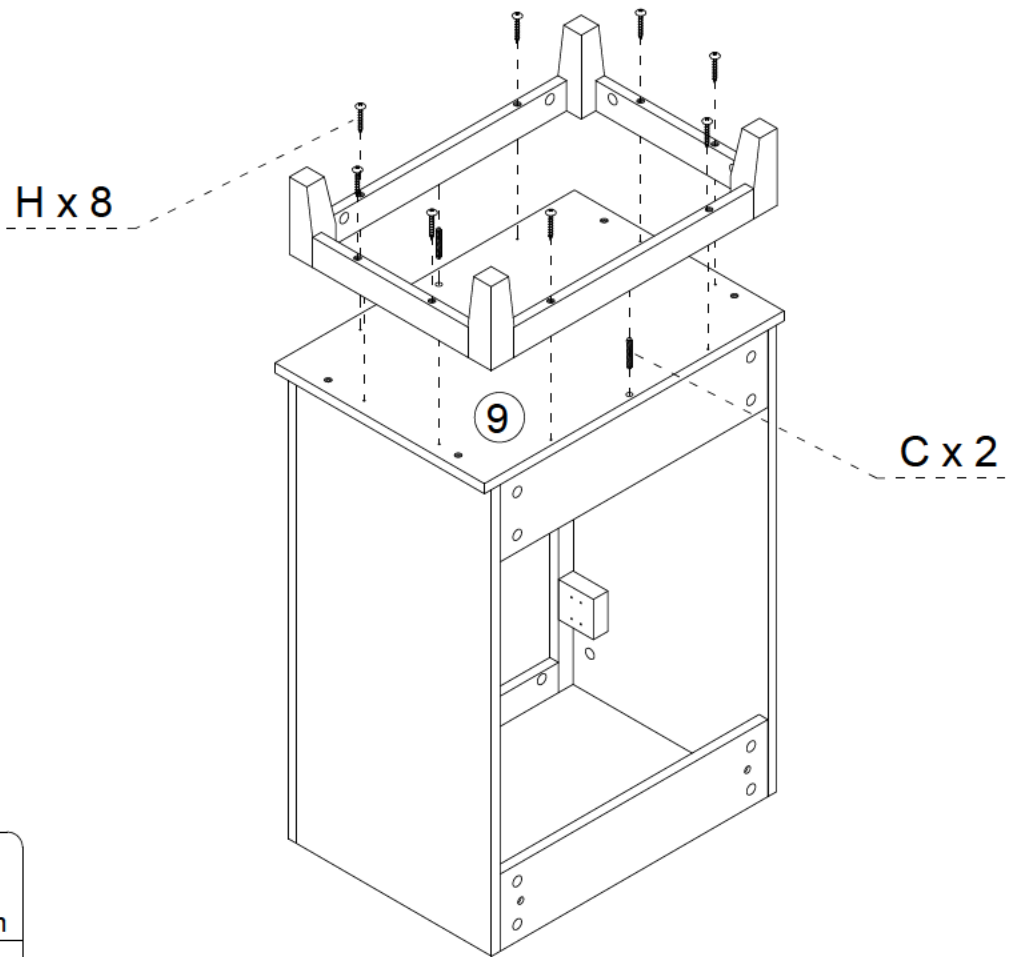
## Step 5



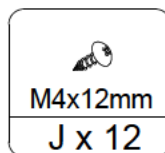
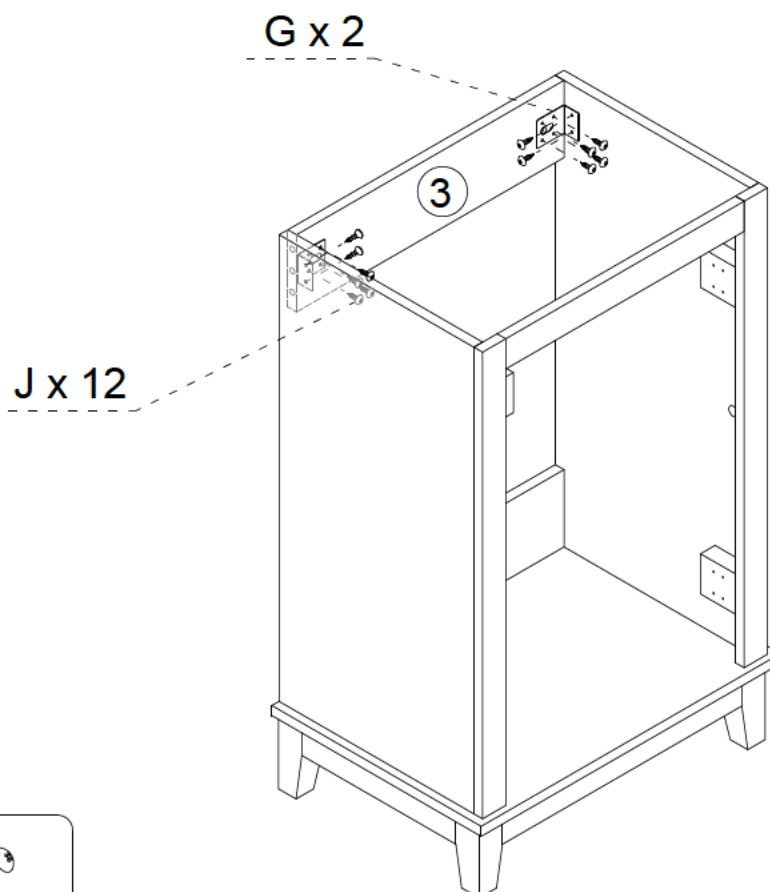
## Step 6



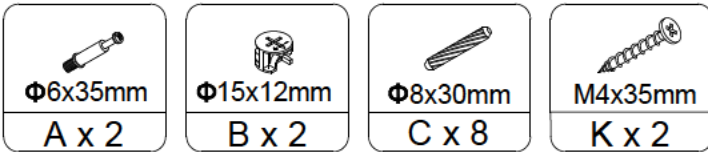
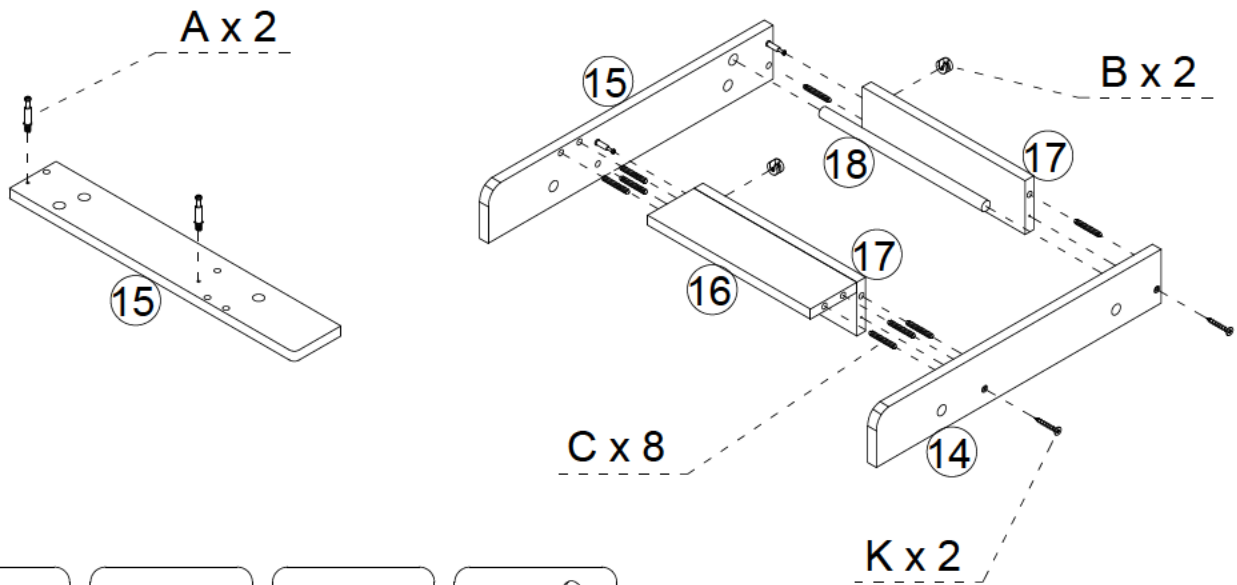
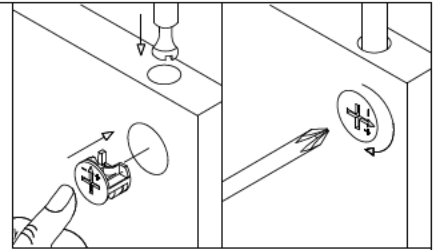
## Step 7



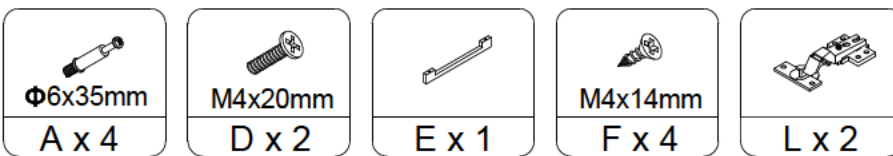
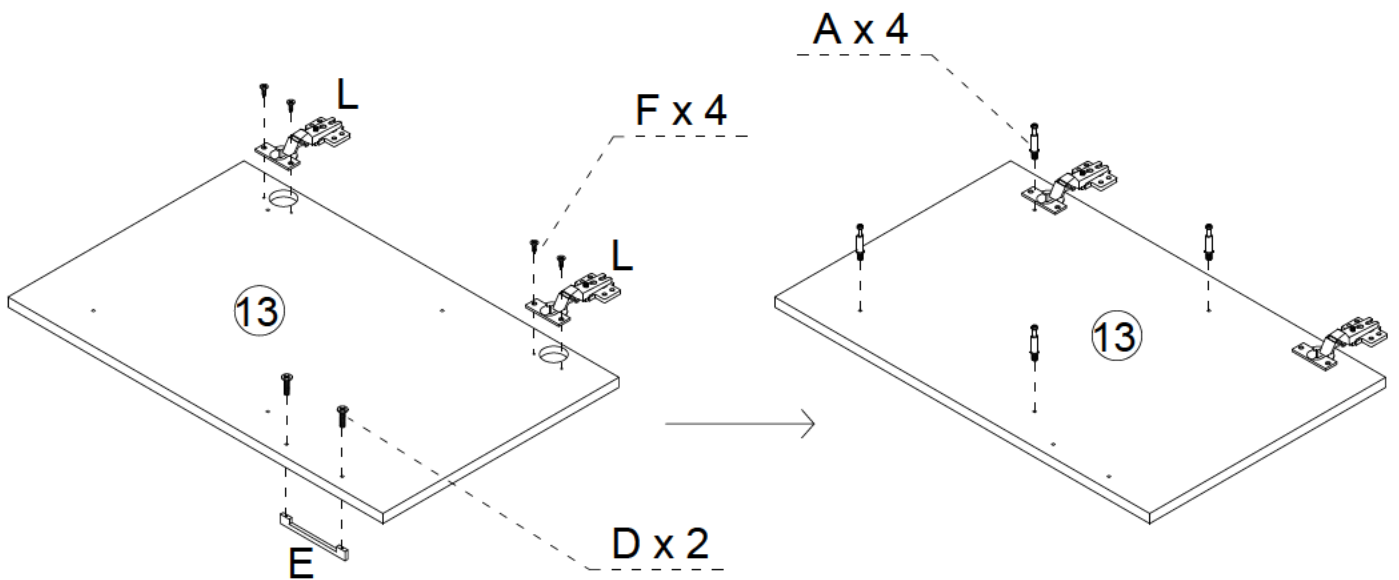
## Step 8



## Step 9

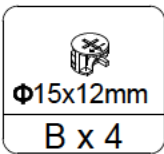
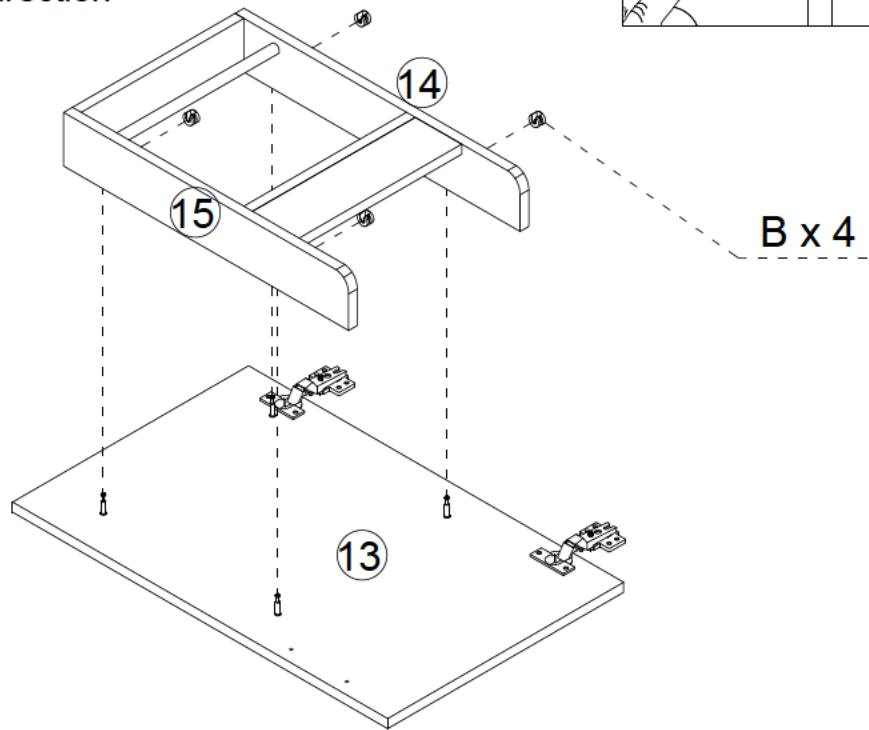


## Step 10

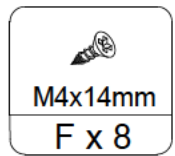
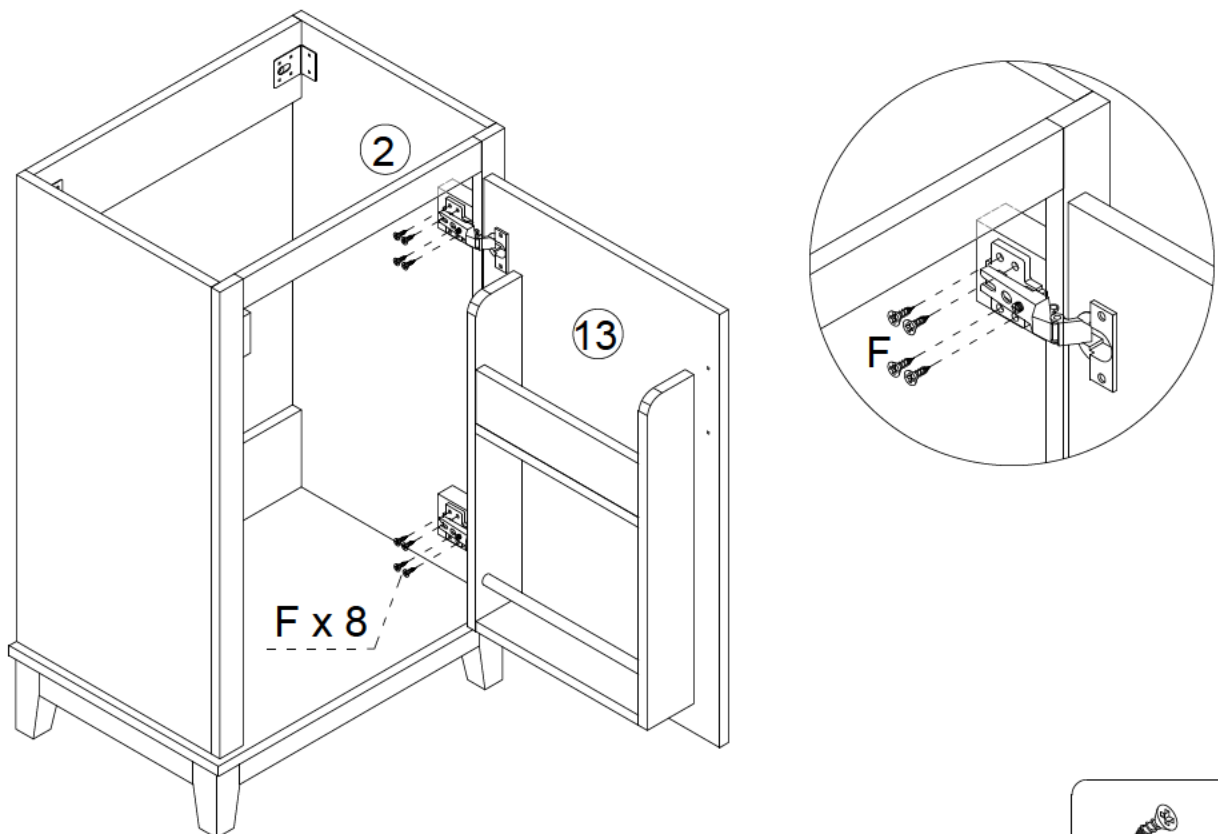


## Step 11

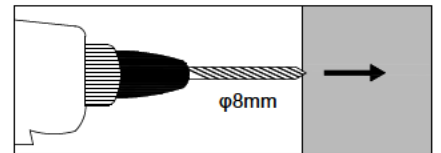
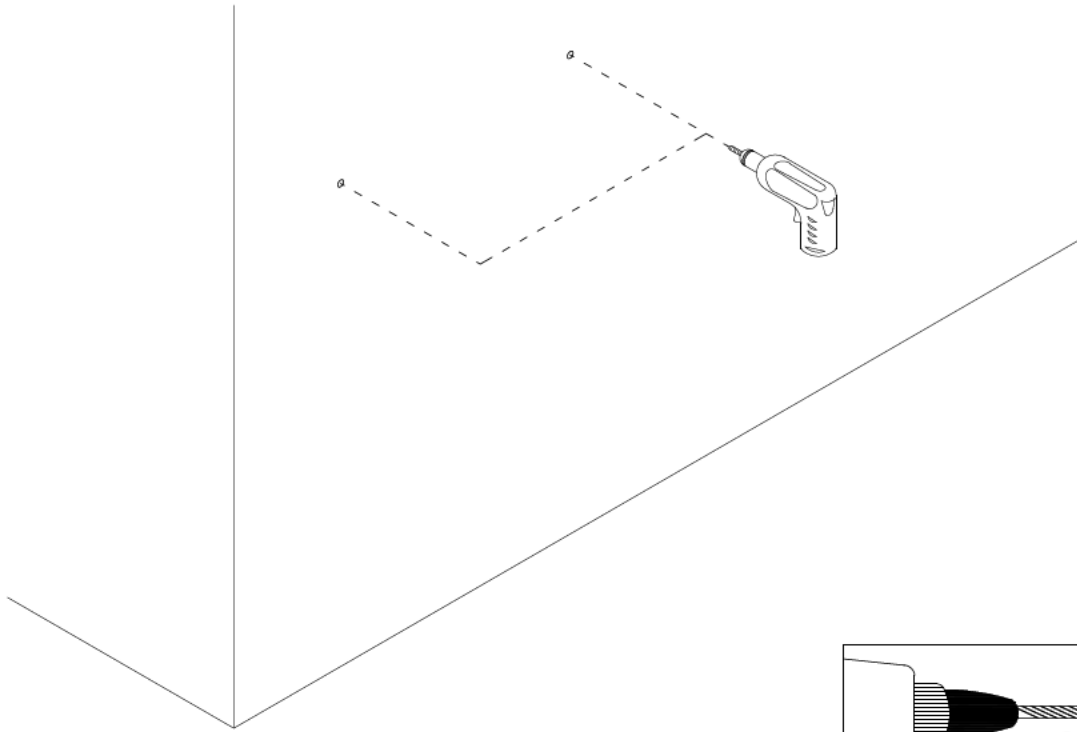
Pay attention to the direction



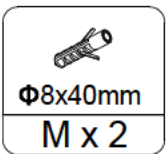
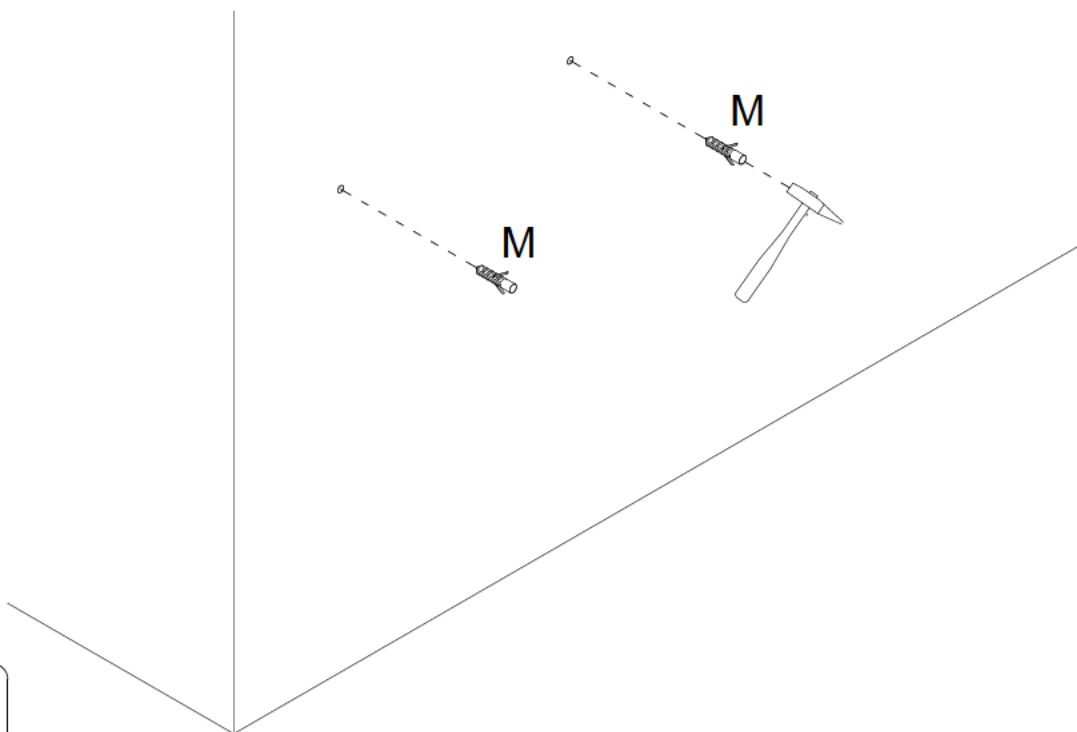
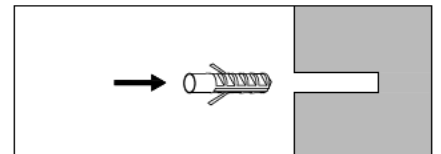
## Step 12



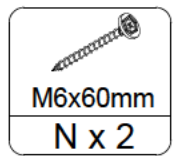
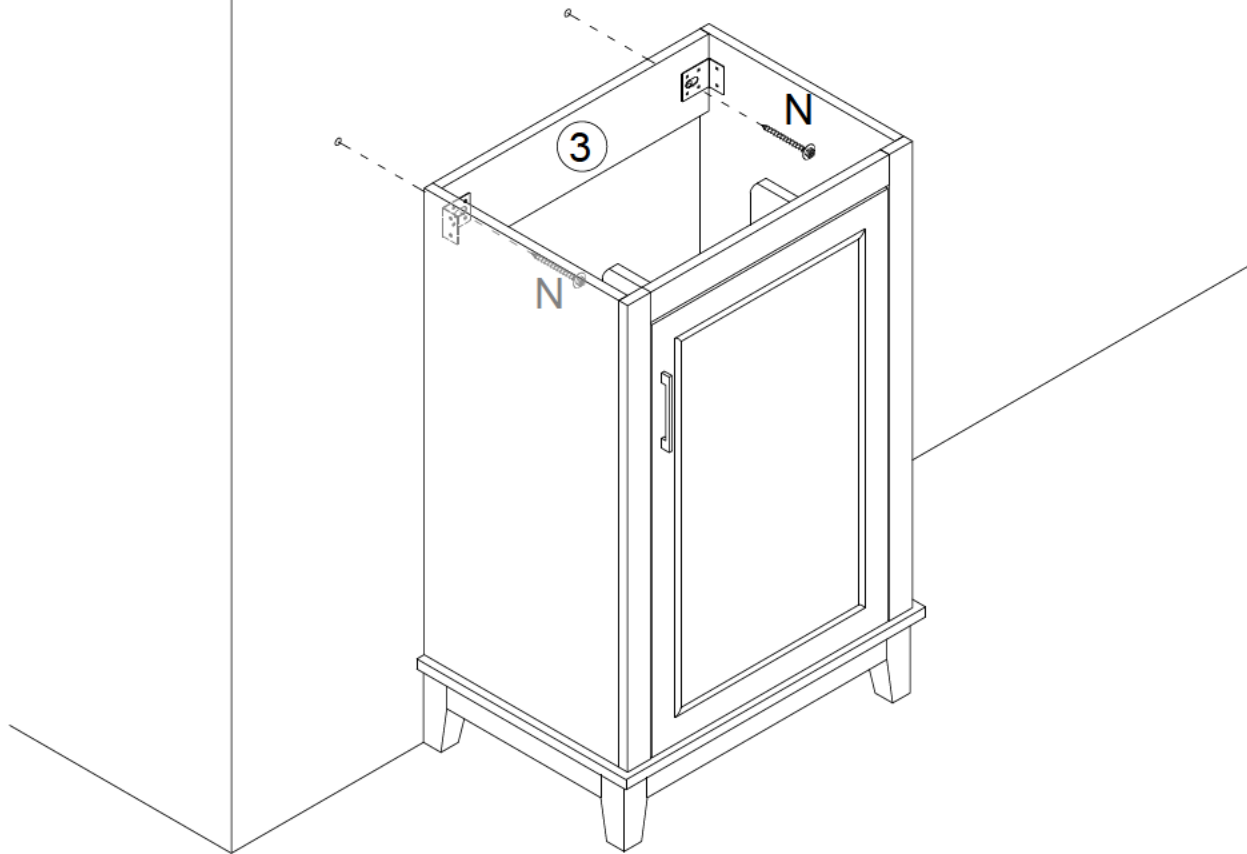
# Step 13



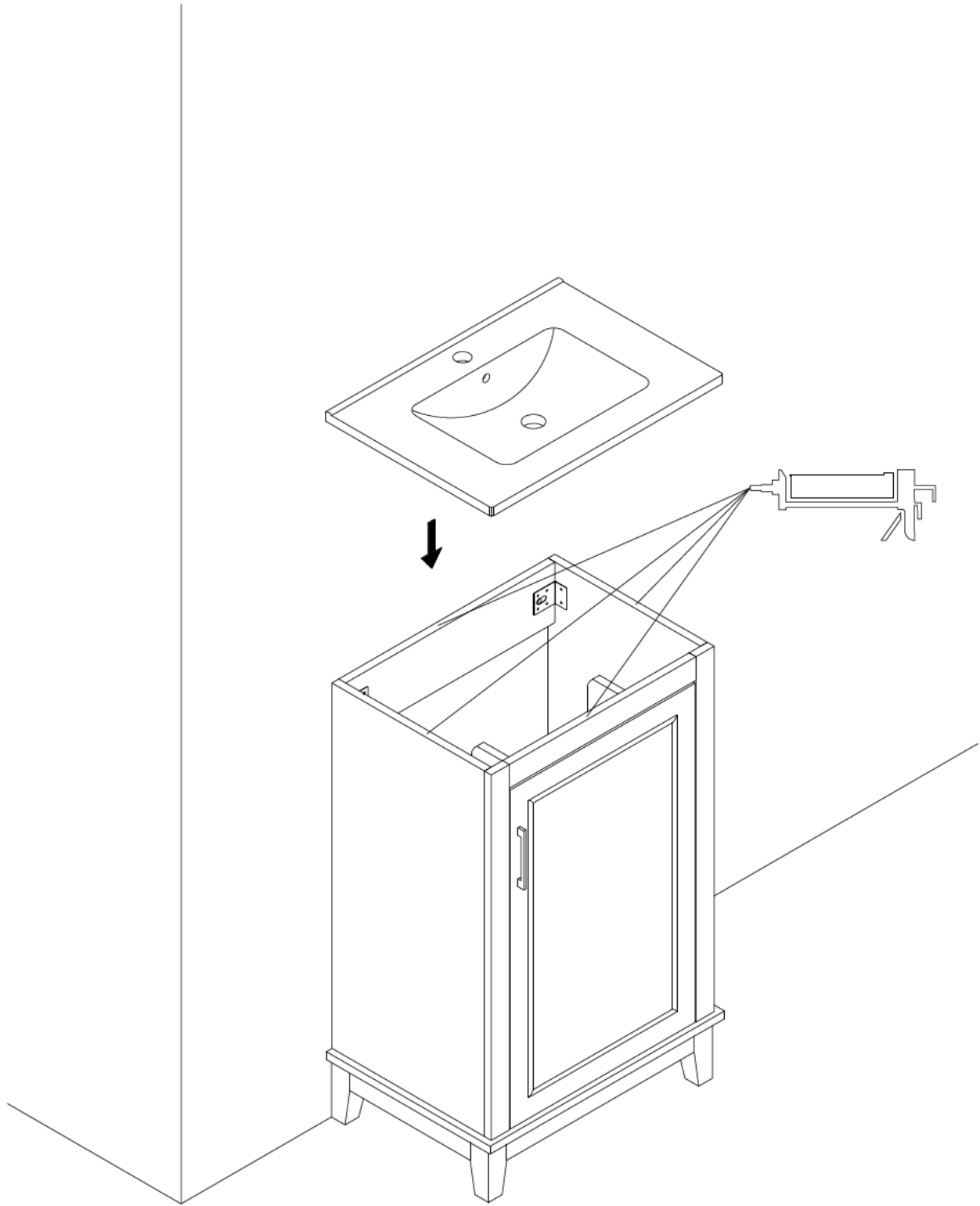
# Step 14



# Step 15



# Step 16



# Step 17

