

## Parts List:

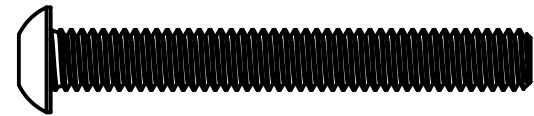
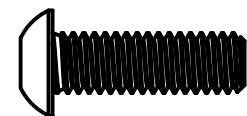
- (1) Hardware Pack
- (2) Leg
- (1) Table Top
- (2) Bench

## TOOLS REQUIRED

- 1/2" Wrench
- 3/16" Allen Key

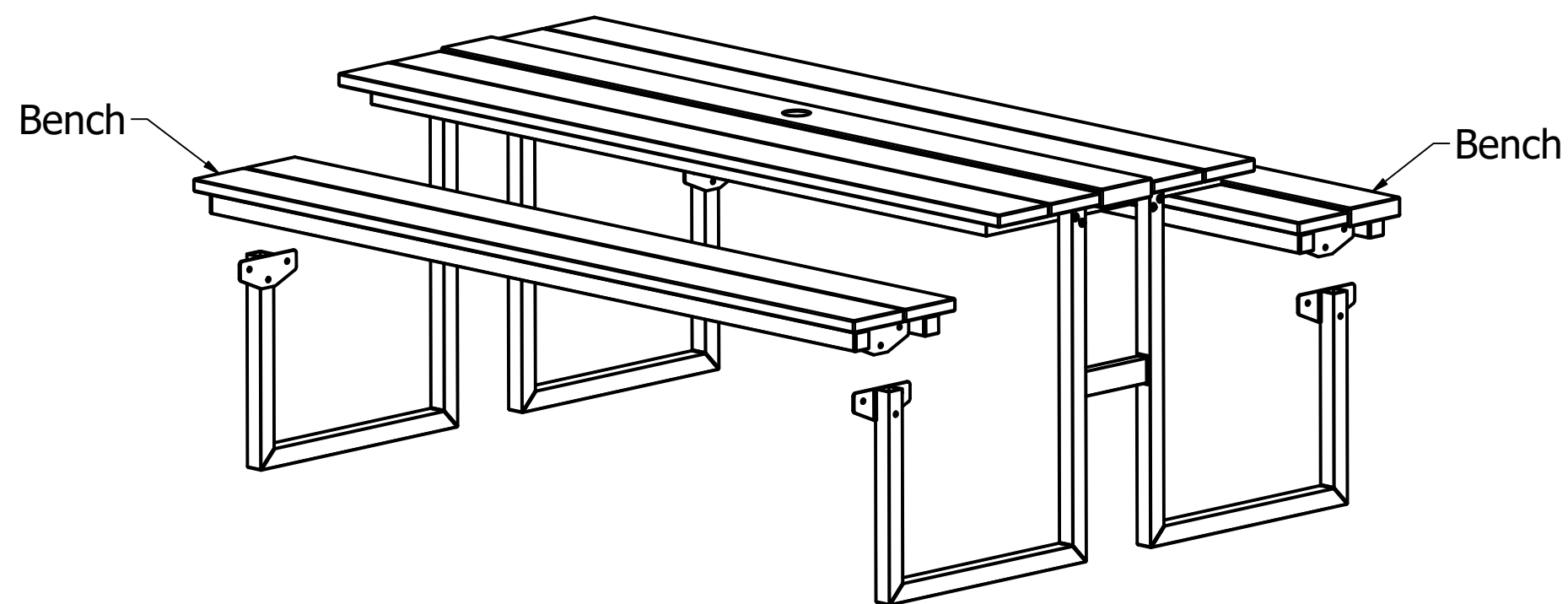
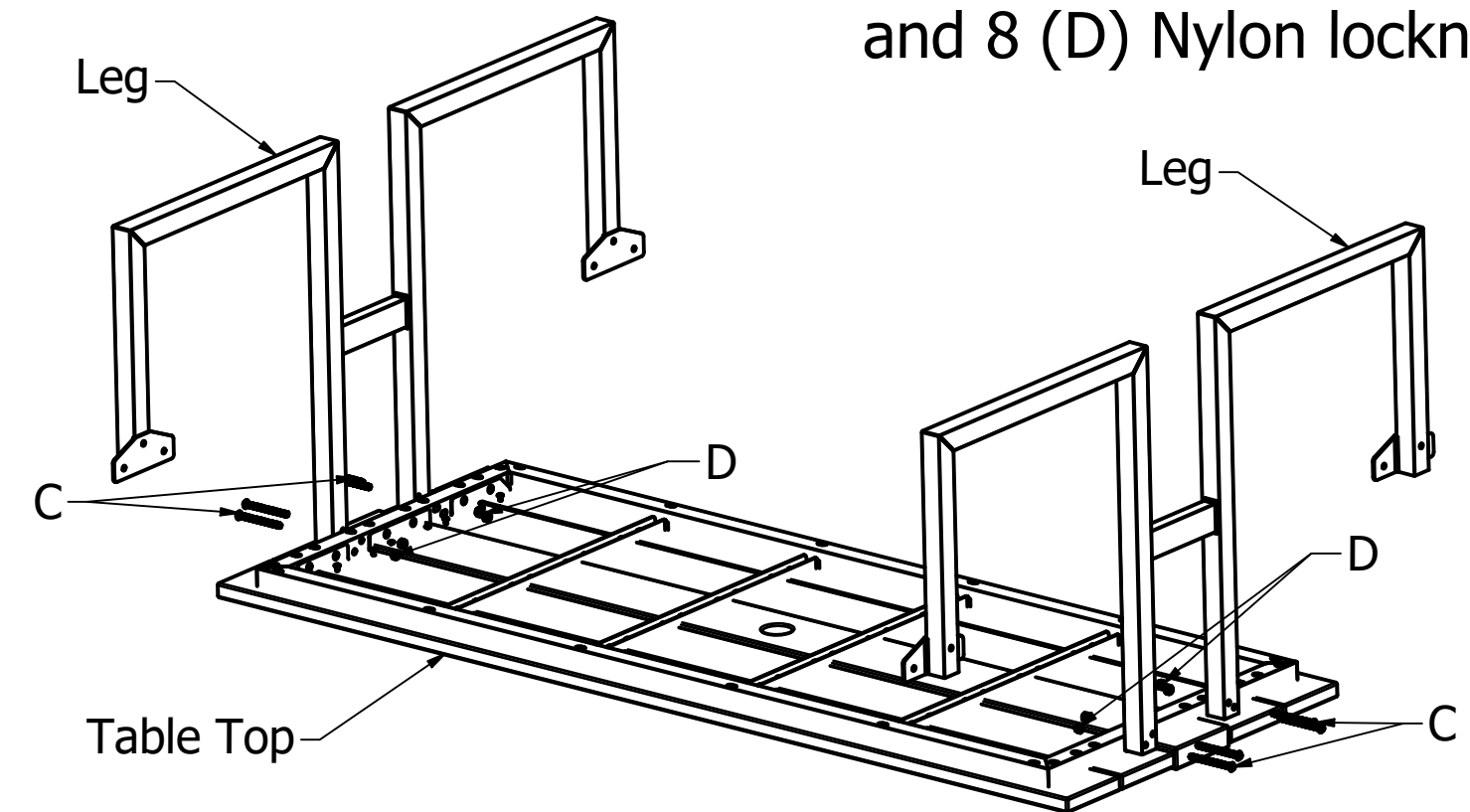
## Hardware Pack -

- (8) A - 5/16" - 18 x 1" Bolt
- (4) B - 5/16" - 18 x 2.5" Bolt
- (8) C - 5/16" - 18 x 3.5" Bolt
- (20) D - Nylon Locknut



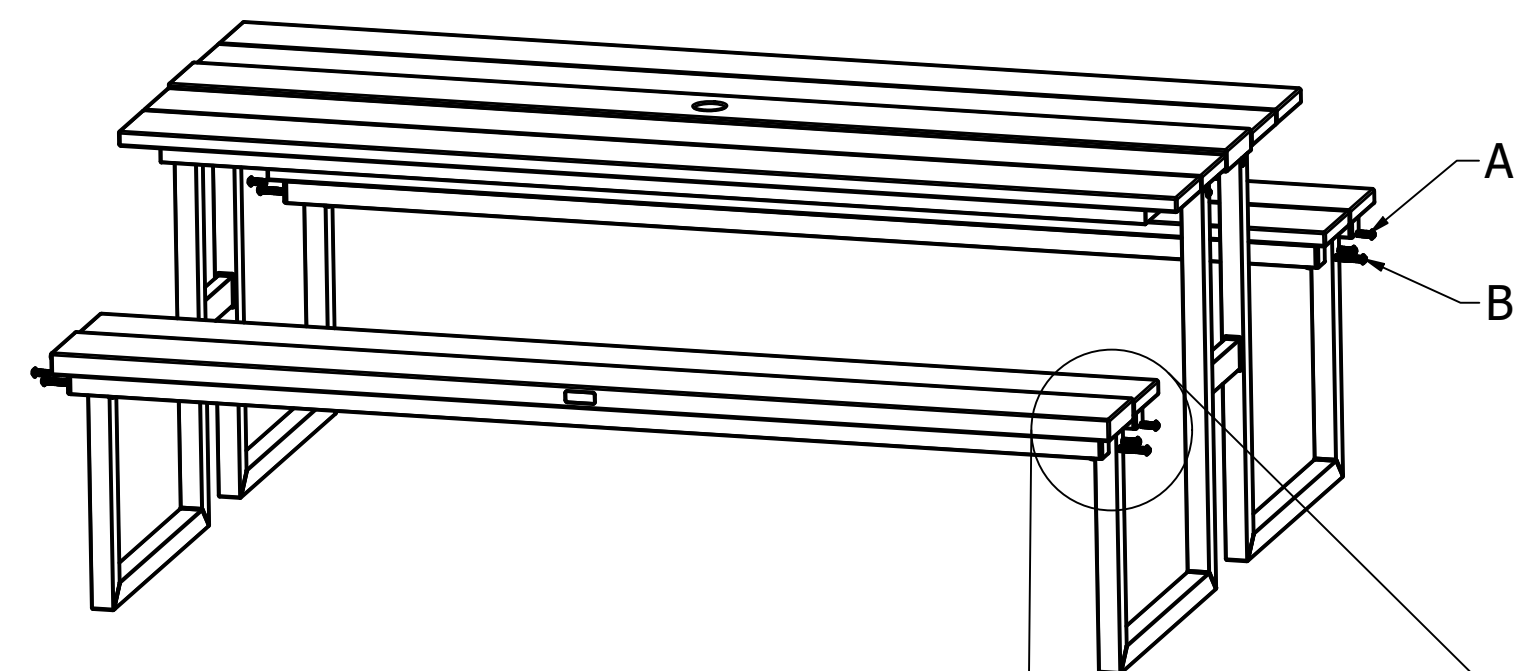
### STEP 1:

Lay table top upside down. Install the legs using 8 (C) bolts and 8 (D) Nylon locknuts.



### STEP 2:

Flip table over and install benches onto legs.



### STEP 3:

Bolt benches to legs using 8 (A) bolts, 4 (B) bolts, and 12 (D) Nylon locknuts.

