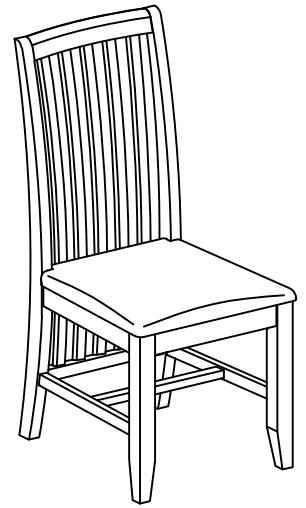


# chair Assembly Instructions

## Components and Hardware List



1. Back chair



(A)

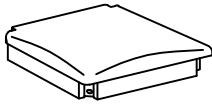
1 pc.

Allen Head Bolt  
Ø8 x35mm

(H1)

1pc

2.Seat



(B)

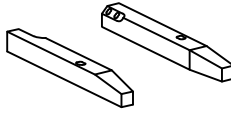
1 pc.

Allen Head Bolt  
Ø8 x85mm

(H2)

4pcs

3.Front Legs



(C)

2 pcs.

Lock Washer  
Ø9 x Ø13mm

(H4)

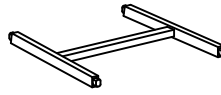
9pcs

Flat Washer  
2x8x20mm

(H5)

9pcs

4. Stretcher



(D)

1 pc.

Wood Screw  
Ø4 x 50mm

(H6)

4pcs

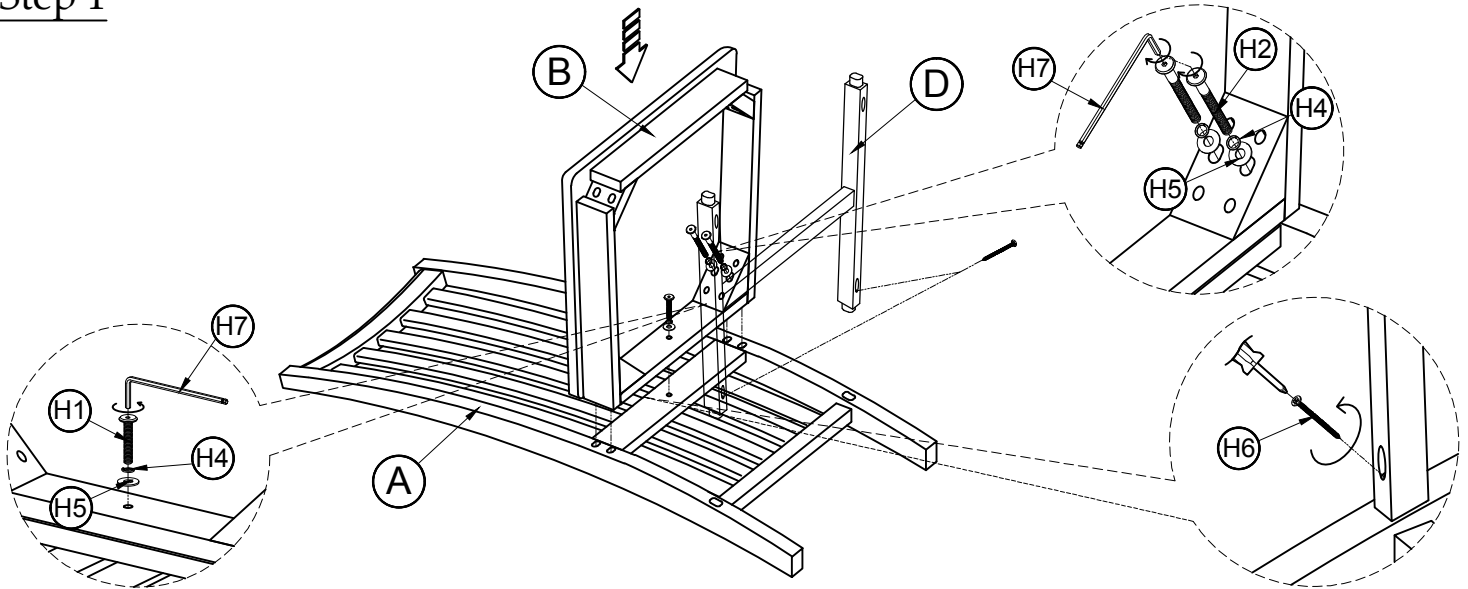
Allen Key  
4 x 110mm

(H7)

1pc

Be sure to check all packing material carefully for small parts, which may have come loose inside the carton during shipment.

### Step 1



### Step 2

