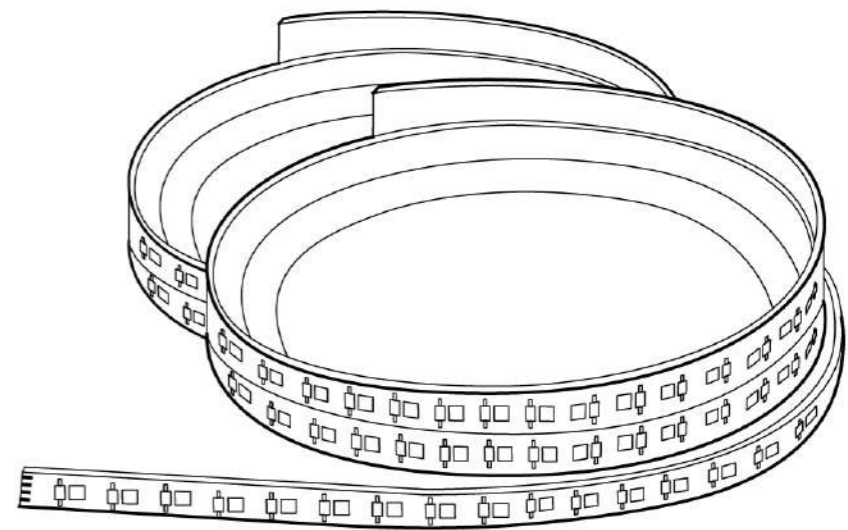
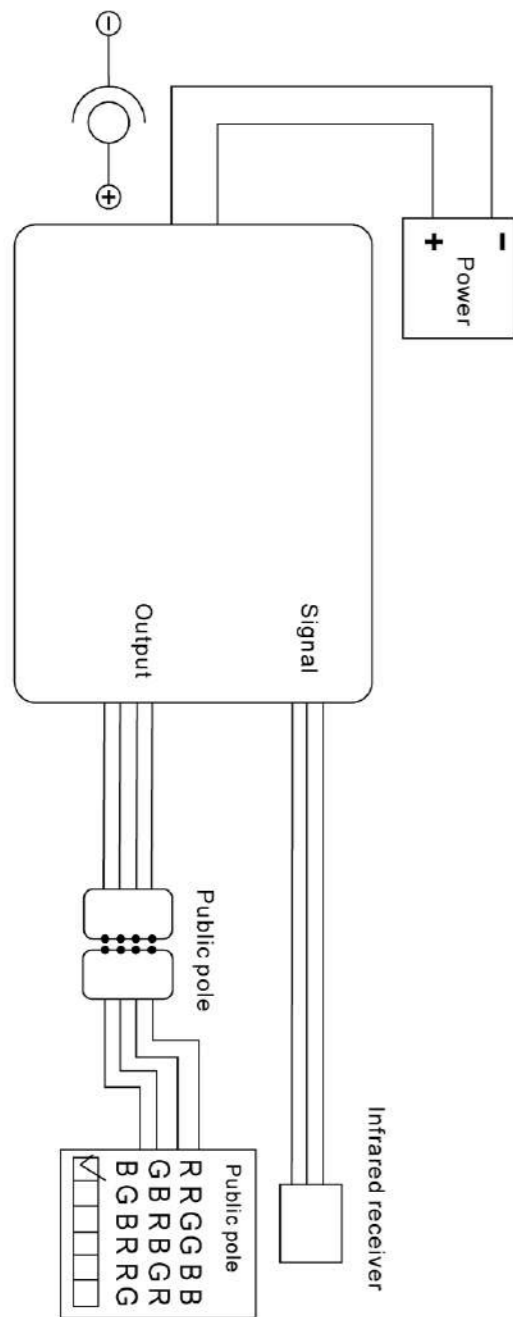


Connect Diagram



LED Strip lights kit User Manual



Contact Us
54 HWY 12, Flemington
NJ 08822 USA 1-866-802-9366
www.wbminternational.com



Features



Security & High brightness



20 color patterns



According to the need to cut



Uniform distribution of light

Parameters

Colour	Input Voltage	Power	Current
RGB	12~24Vdc	Max.96W	2A*3CH Max.6A

Distribution controller

Technical Parameter:

Voltage: DC5V DC12V DC24V

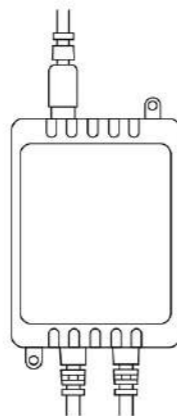
Size: 64×34.5×22.5mm

Remote Distance:8m

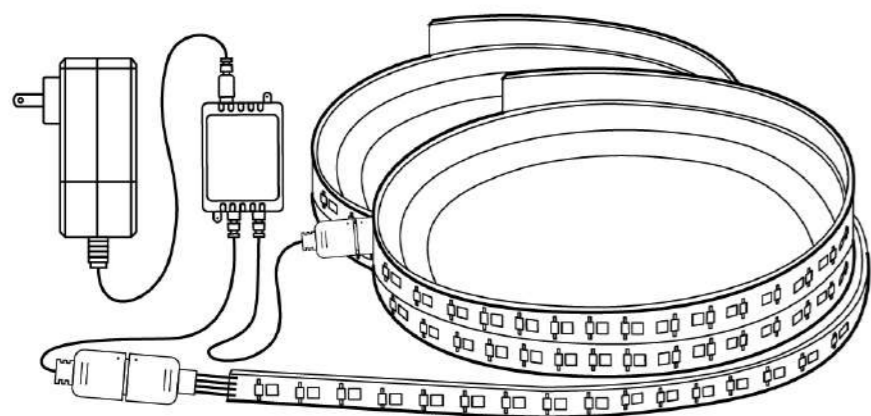
Current:2A×3CH

Work Temperature:-20~60°C

Connecting mode: common anode
common cathode



Wiring diagram



Ir Controller

RGB controller, with IR wireless remote, adopts the advanced micro control unit, which is used to control different color changes of a variety of LED lights such as point source of LED light, LED flexible strip, LED wall washer lamp, glass curtain wall light, LED lighting module, advertisement box of LED lights and so on; It is convenient to connect ,and easy to use; According to the actual need of customers, it can carry out hopping changing, gradual changing, strobe flash and other effects of change!



Pattern Table

Brightness+	Brightness-	OFF	ON
Static red	Static green	Static blue	Static white
Static rose red	Static light green	Static sapphire blue	3 color jump
Static orange	Static green blue	Static violet and grey	3 color gradient
Static Light yellow	Static sky blue	Static brown and purple	7 color gradient
Static yellow	Static cyan	Static purple	7 color jump

Control Method

1. You can use remote control to operate controller.
2. "ON" button can open it when controller is in shutdown state, and the controller will run automatically its mode which it is before the shutdown of.
3. "OFF" button can close the controller while it is on any mode.
4. Show as Figure mode 1 to mode 24. (see details on Functional mode list)

Operate for using:

1. The input voltage of this controller should be followed the specifications, other high voltage would most probably destroy it.
2. The 4-wires coming out of the controller can't be incorrectly interconnected or short circuit could occur.
3. Connect the wires of the controller and LED fittings as per the instruction.
4. Don't peel off the label on the controller in case any indication information will be missed.
5. The standard warranty is one years Our company won't be responsible for any damage of the Controller due to any wrong way to use it .