

artos[®]

TS151

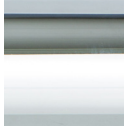
INSTRUCTION MANUAL

trova shower set
with rain head

BRUSHED NICKEL (BN)



CHROME (CH)



BLACK (BK)



SATIN BRASS (SB)



artos[®]

TS151

OPERATING SPECIFICATIONS

trova shower set
with rain head



INCLUDES

Rain Head & Arm
Valve Trim

OPERATING PRESSURE

Minimum: 15 psi
Maximum: 125 psi
Above 90psi it may be necessary to install a pressure reducer

OPERATING TEMPERATURE

Maximum: 176°

FLOW CAPACITY

Shower Head: 1.8 USGPM

STANDARDS

ASSE 1016-2011 | ASME_A112.1016-2011 | CSA B125:16-11



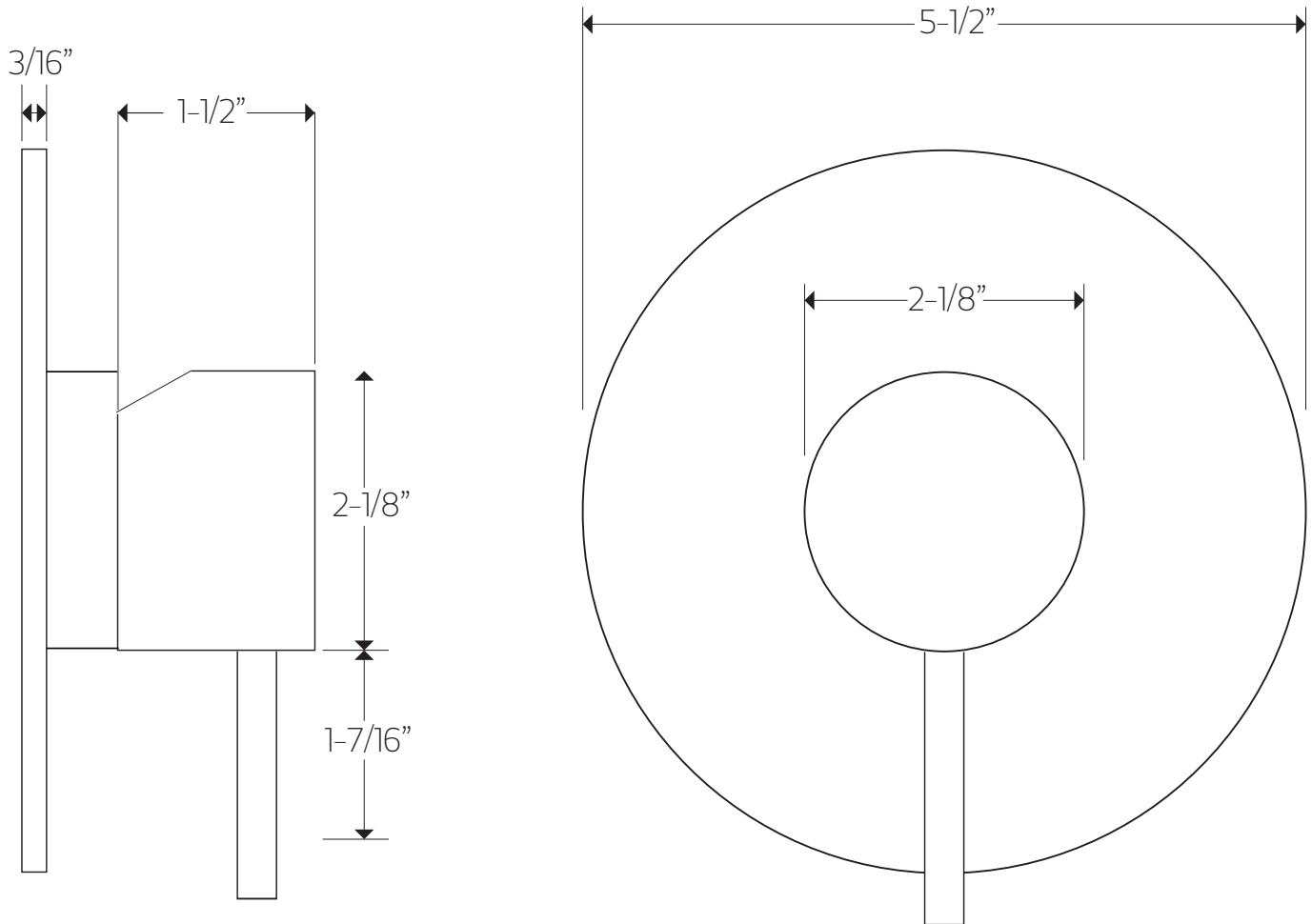
artos[®]

TS151

PRODUCT DIMENSIONS

trova shower set
with rain head

for trim kit



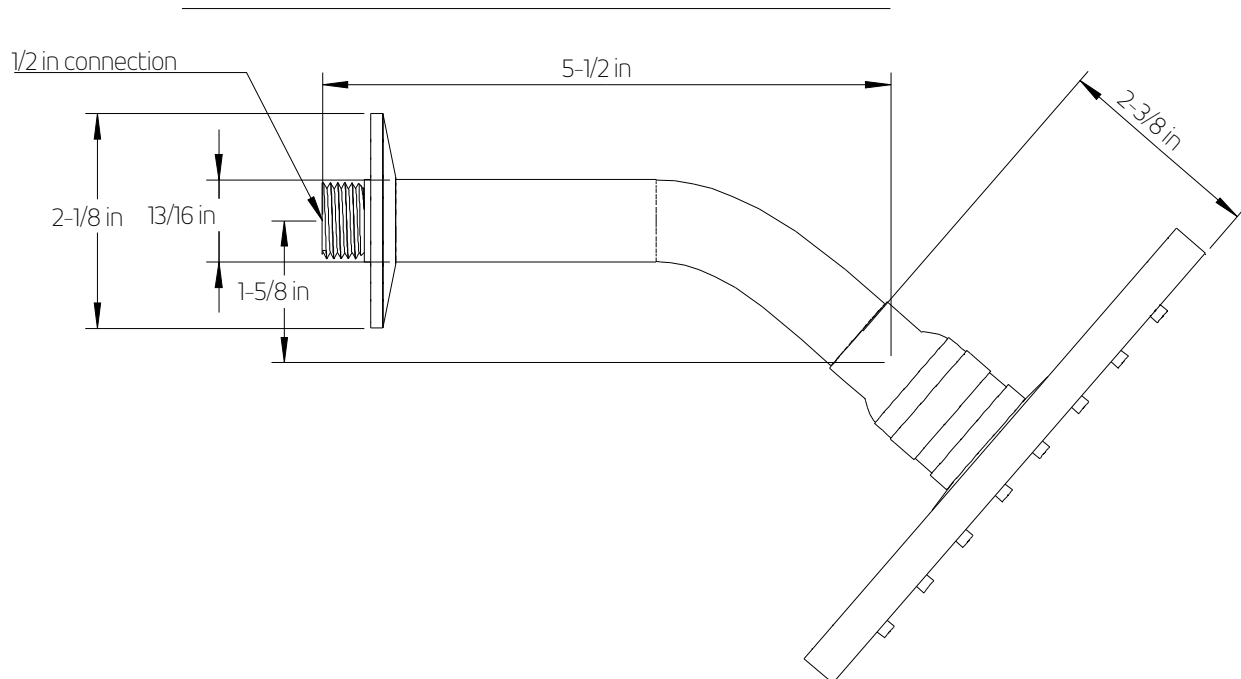
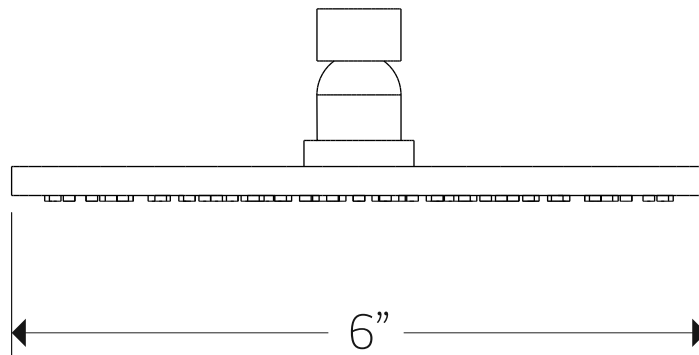
artos[®]

TS151

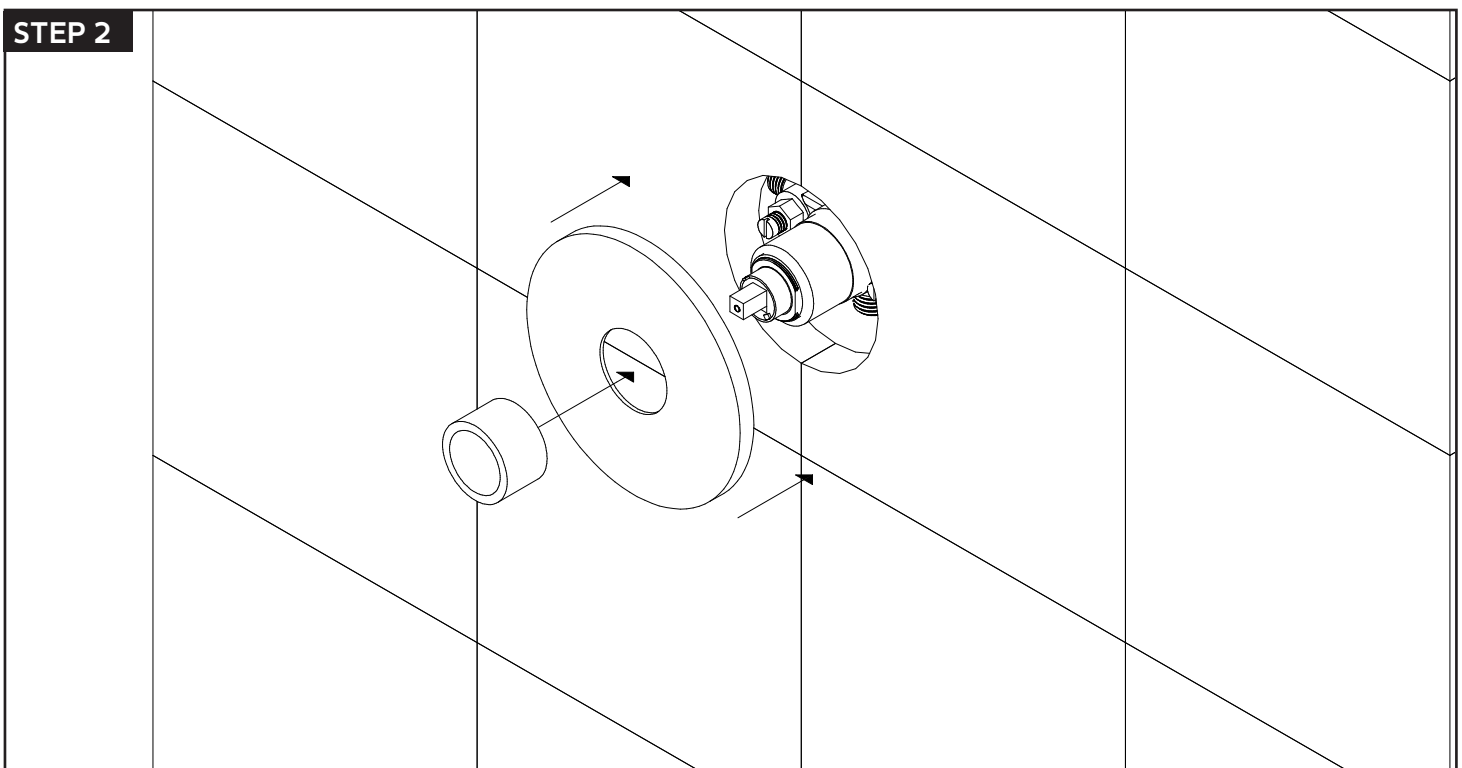
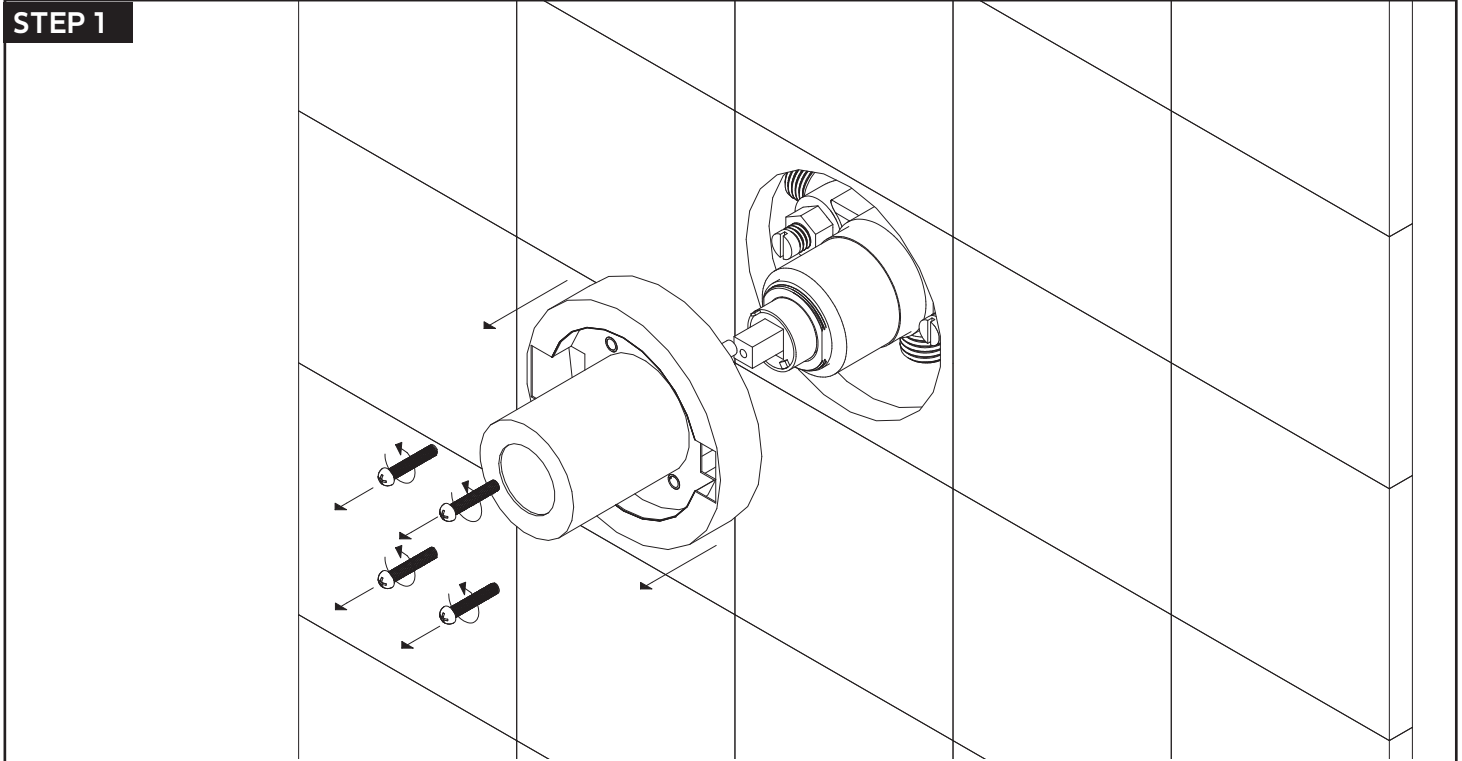
trova shower set
with rain head

PRODUCT DIMENSIONS

for shower head



valve trim

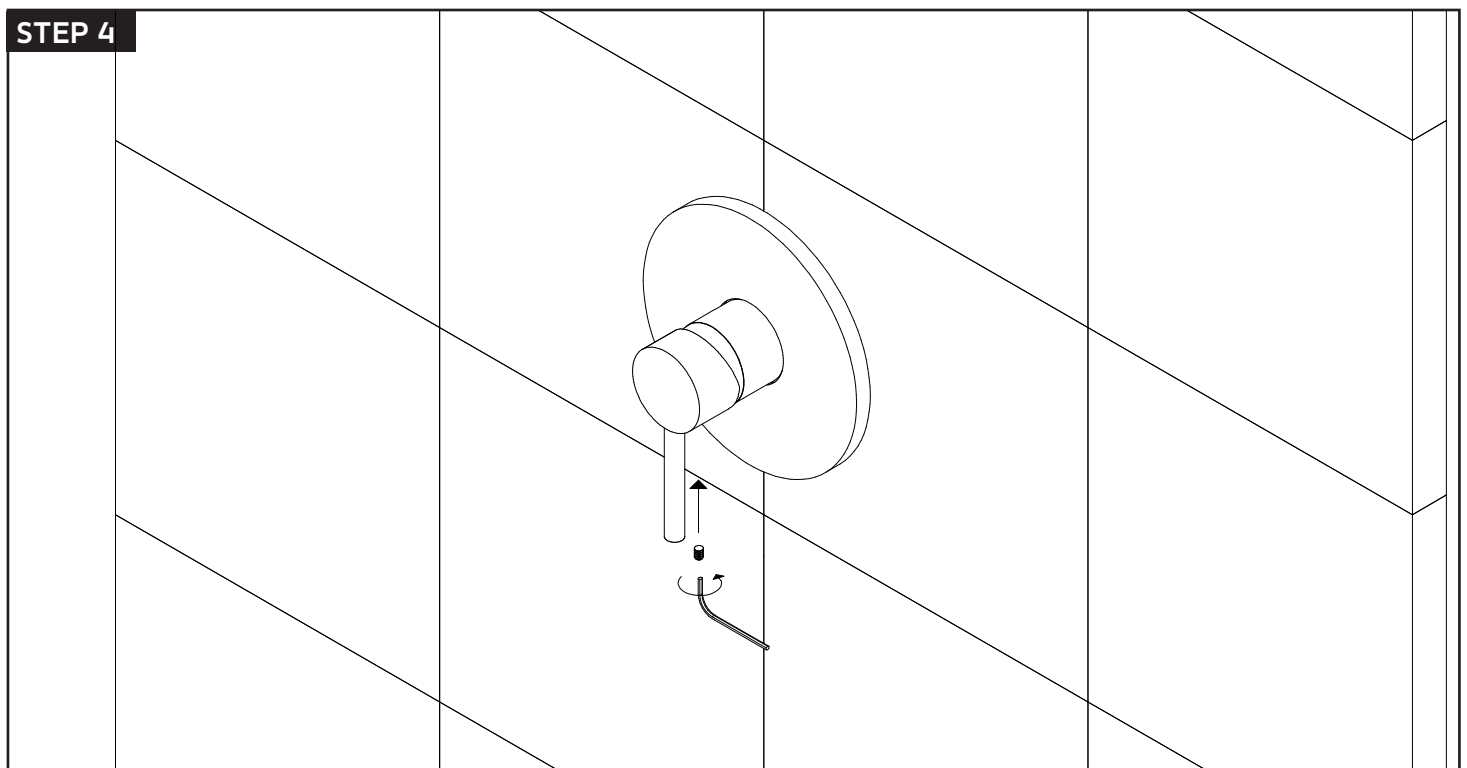
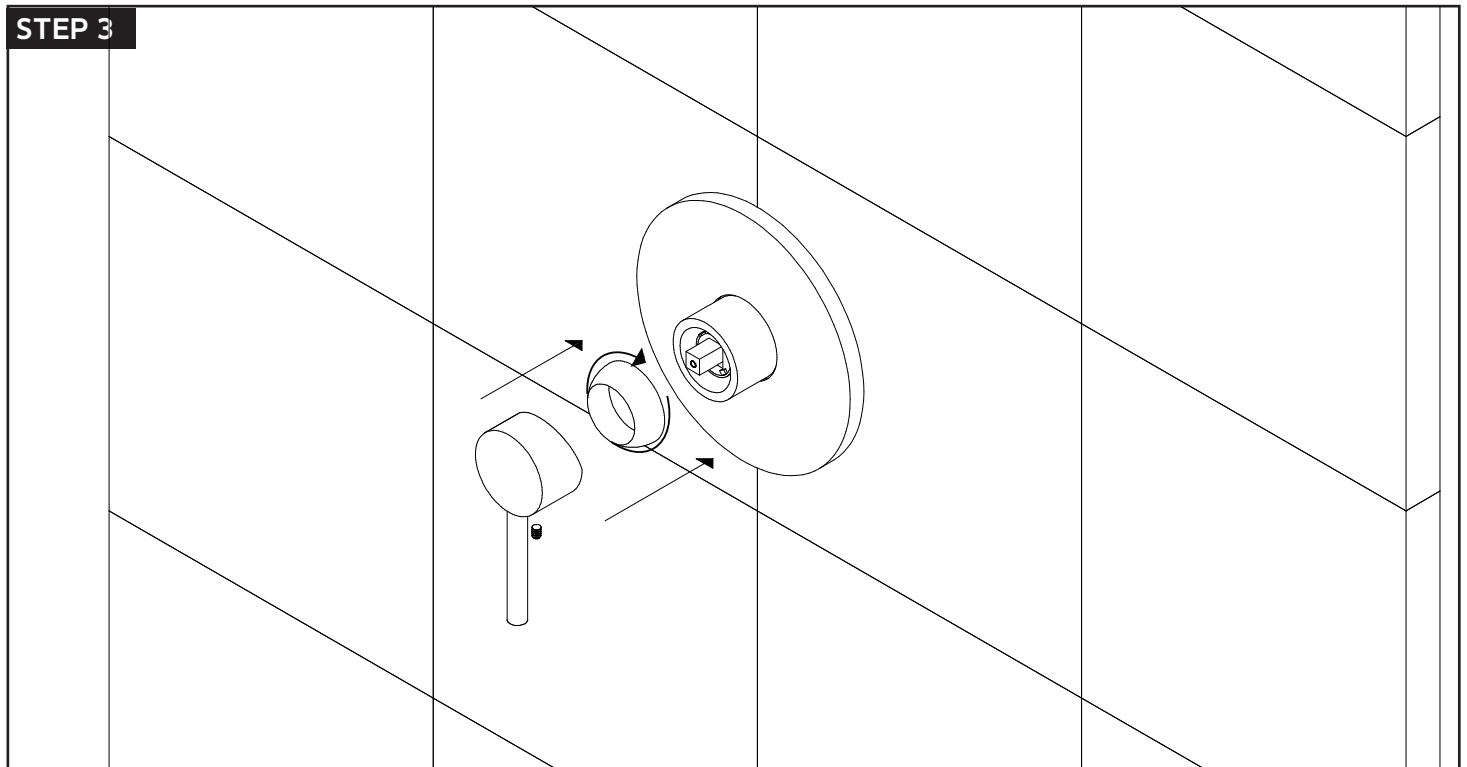


artos[®]

TS151

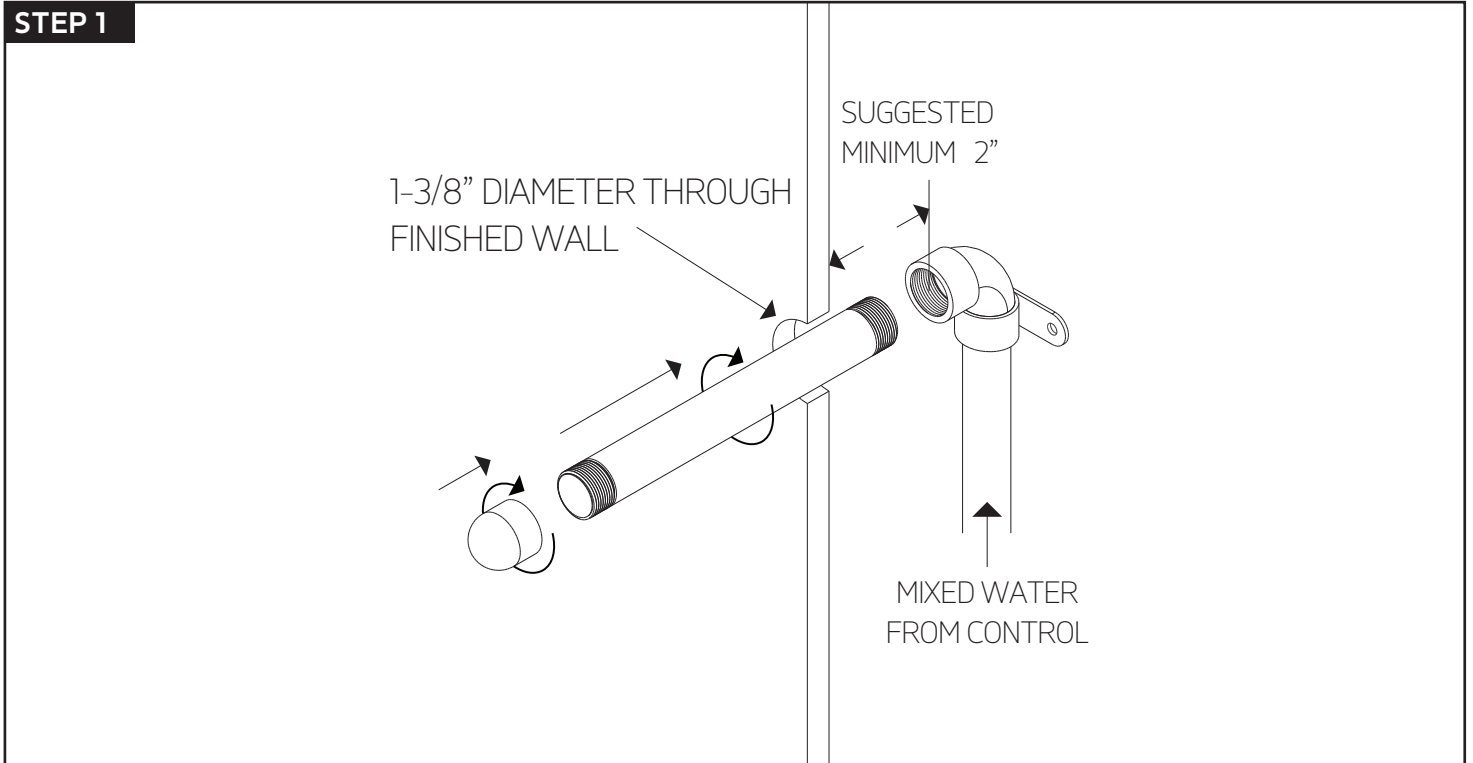
INSTALLATION STEPS

valve trim

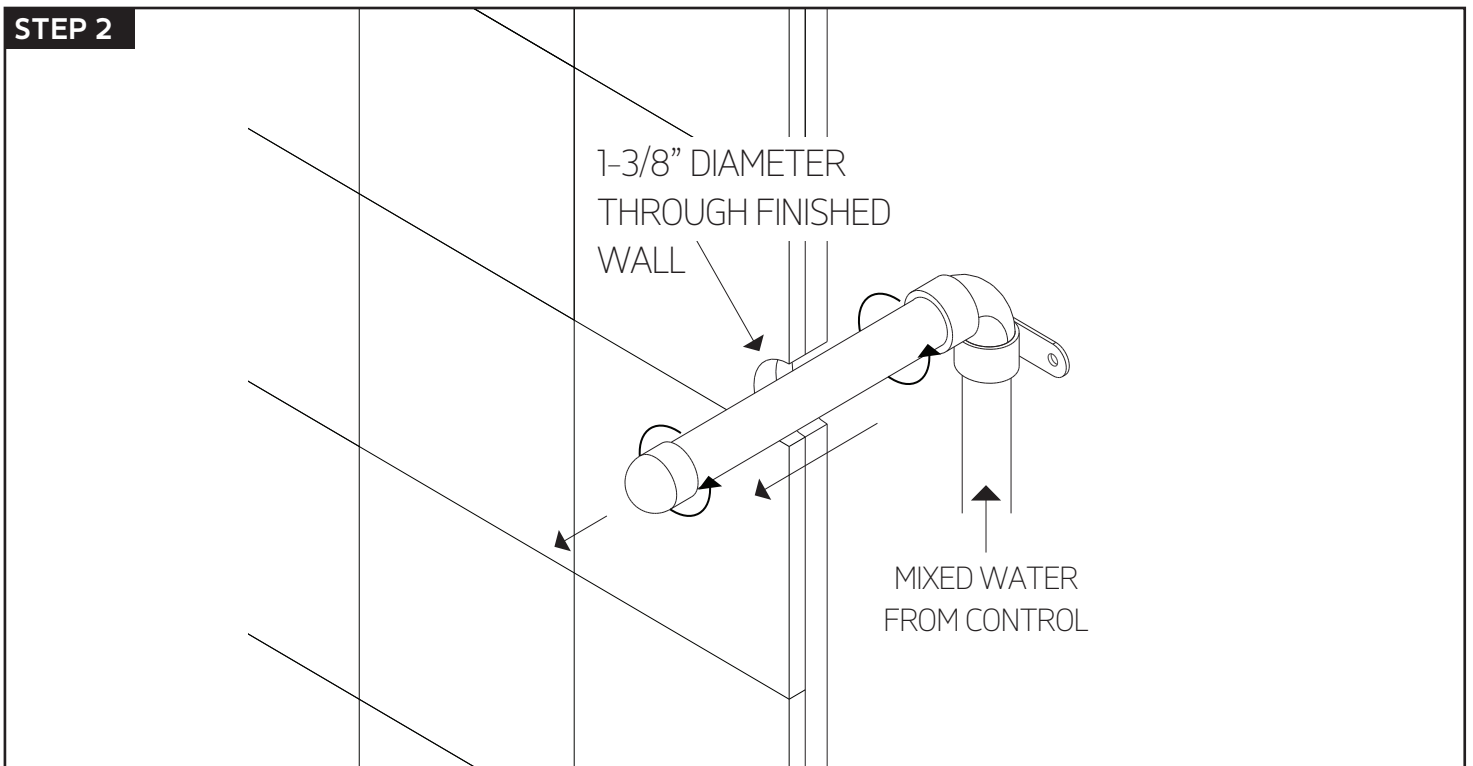


shower head

STEP 1



STEP 2

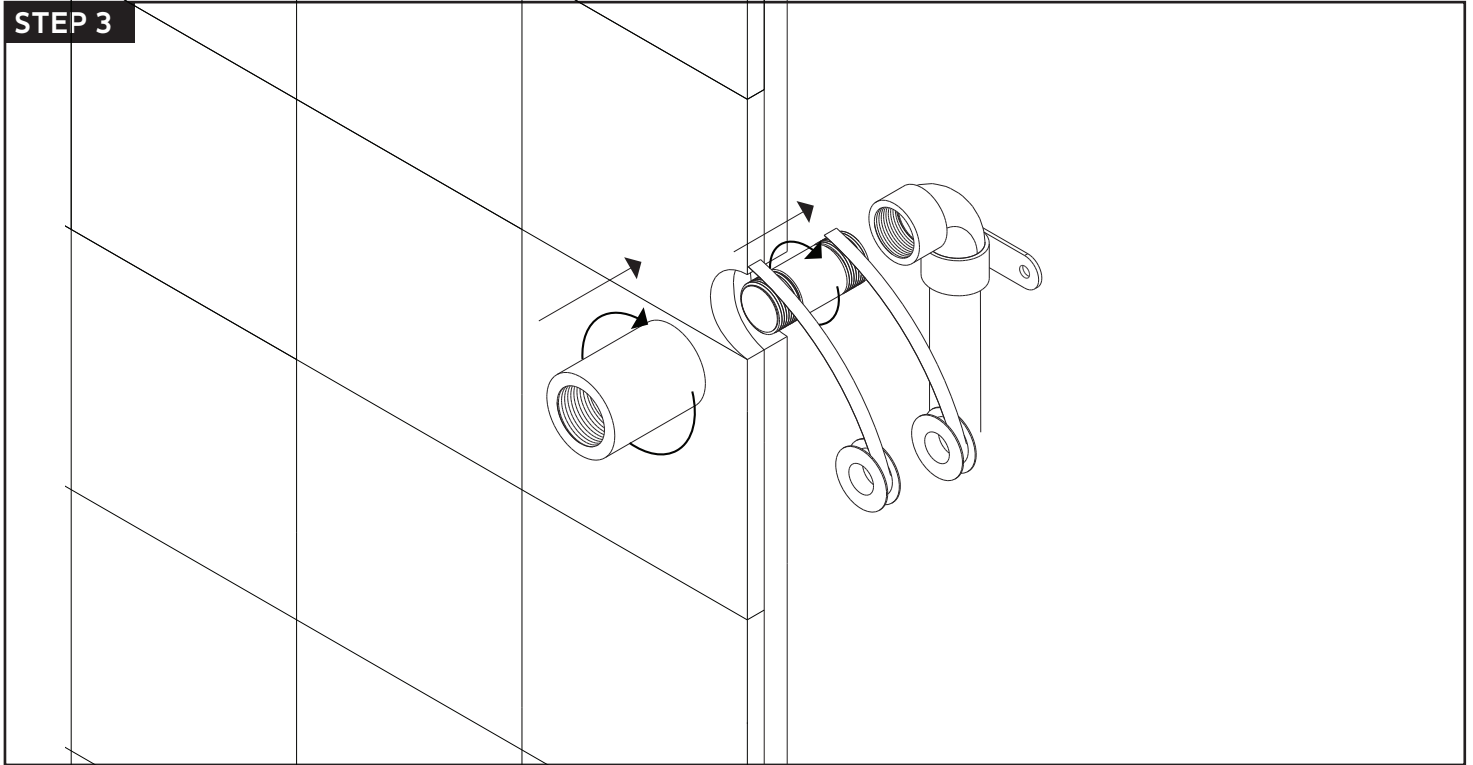


artos[®]

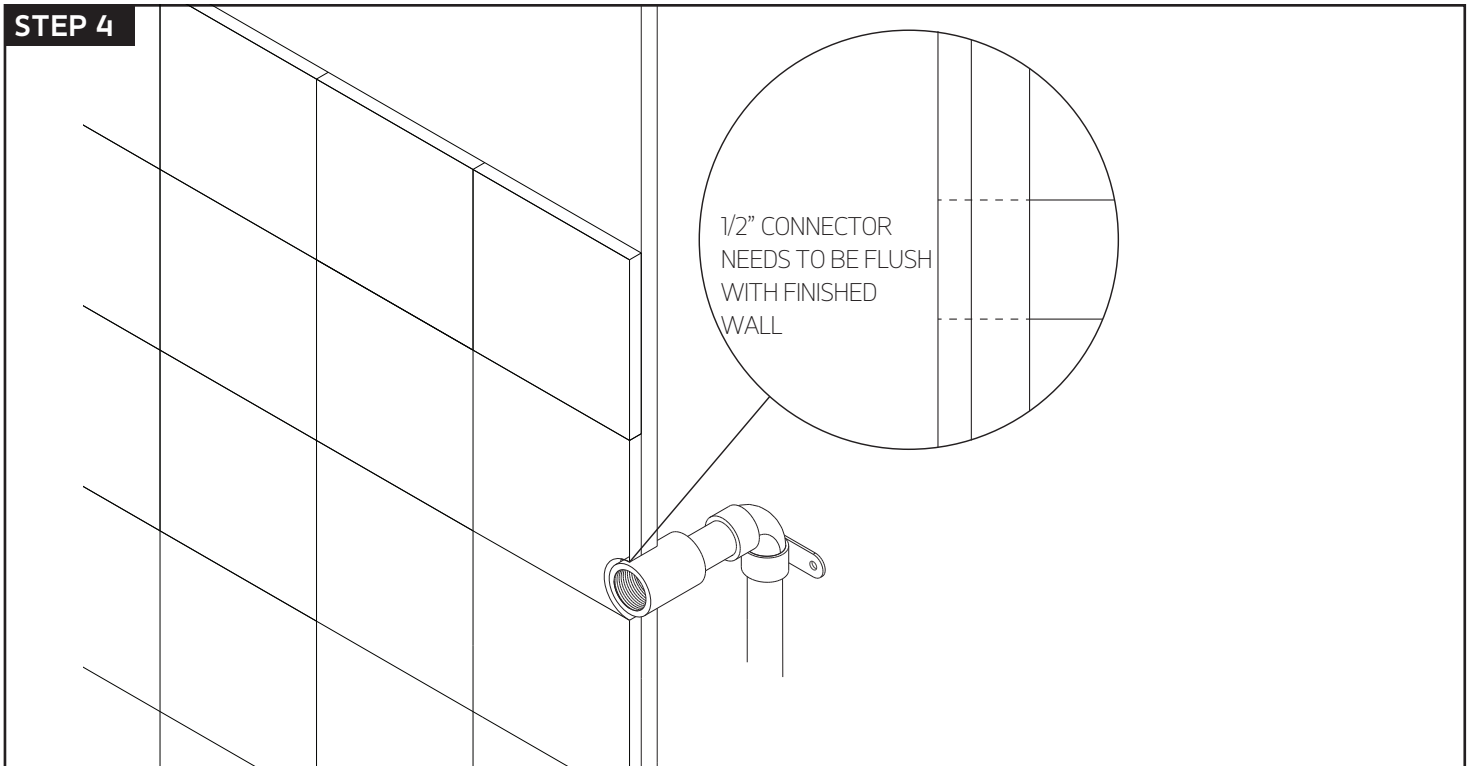
TS151

shower head

STEP 3

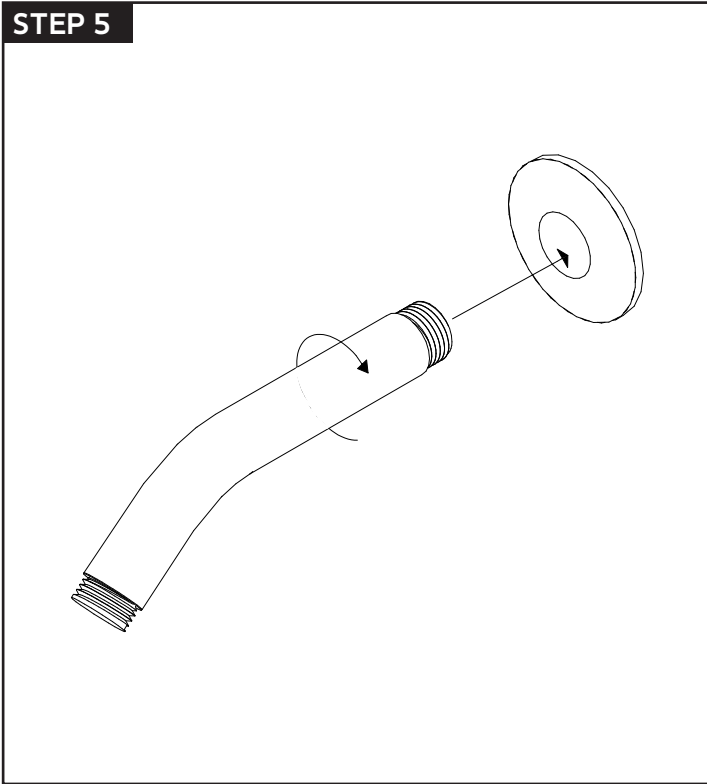


STEP 4

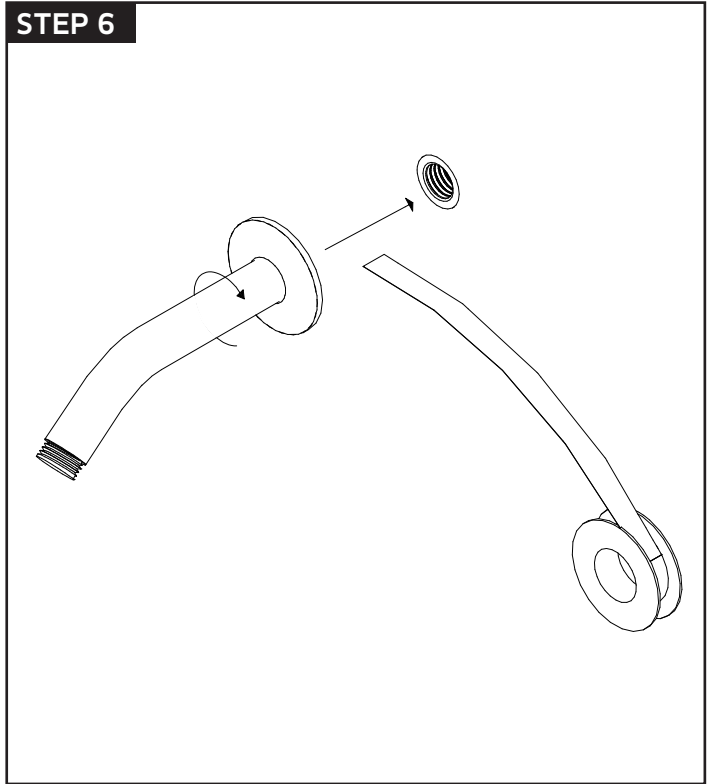


INSTALLATION STEPS

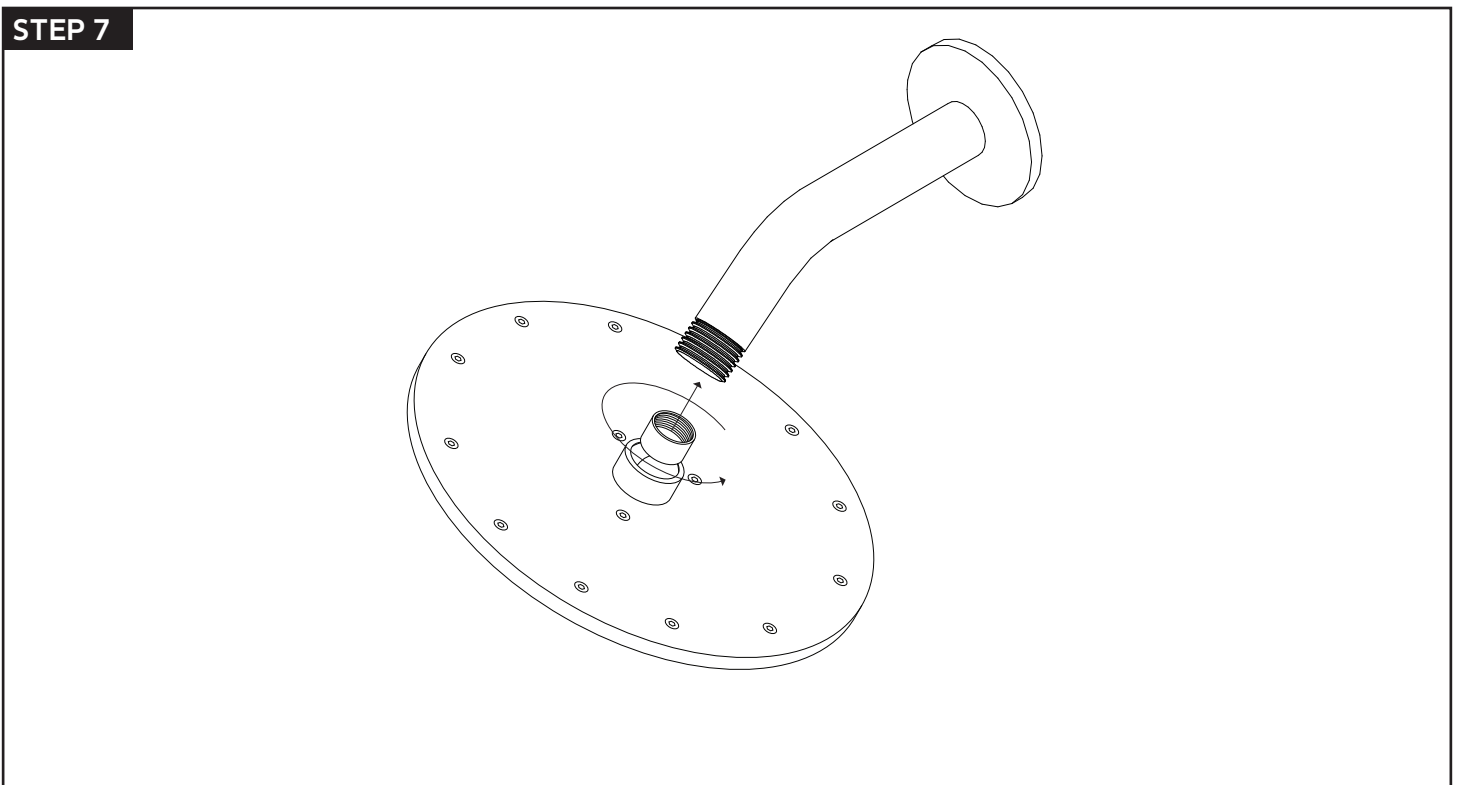
STEP 5



STEP 6



STEP 7

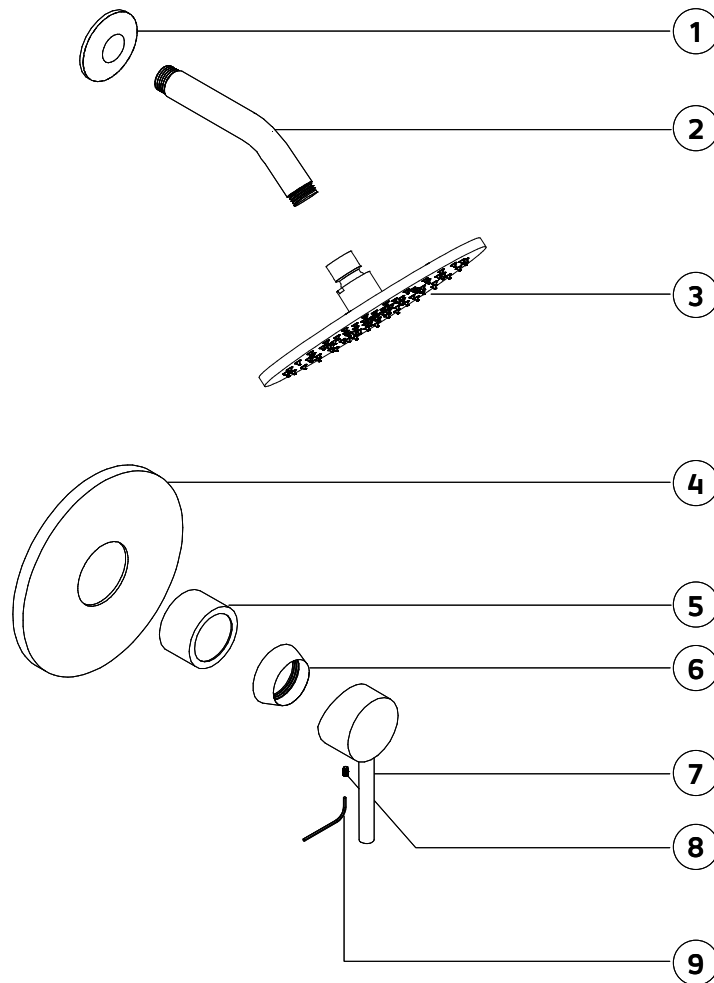


artos[®]

TS151

trova shower set
with rain head

PARTS BREAKDOWN



- 1 SHOWER ARM ESCUTCHEON
- 2 SHOWER ARM
- 3 SHOWER HEAD
- 4 TRIM KIT ESCUTCHEON
- 5 SLEEVE
- 6 BEVEL
- 7 HANDLE
- 8 SET SCREW
- 9 ALLEN WRENCH